



Iron Deck Tuscany & Traditional Fitting Instructions



DESIGNED BY FITTERS FOR **EASY INSTALLATION**

Important Information

The following instructions are for installing the Cheshire Mouldings **Iron Deck Tuscany & Traditional decking system**.

Cheshire Mouldings **Iron Deck Tuscany & Traditional system** is suitable for **ground level decks** and **decks up to 600mm** above ground level.

Maximum distance between posts is **1800mm**.

Cheshire Mouldings Iron Deck system has been independently tested by FIRA and when installed in accordance with these instructions, conforms with Building Regulations for balustrades at 900mm (min) high and 0.36KN/m domestic loadings.

As only official Cheshire Mouldings parts have been tested, the use of non Cheshire Mouldings products used in conjunction with this system cannot be guaranteed to conform.

All components should be inspected BEFORE installation commences for any damage and to check all your items are correct before installation. While care is taken to match our engineered timber products, timber is a natural product where the colour, grain structure, can vary.

While we do everything possible to ensure the information contained within these fitting instructions are correct, they are only a general guide, every situation is different. Please read through the fitting instruction fully before commencing any fitting, Cheshire Mouldings will not be held responsible for any mistakes made through incorrect fitting. You will need to take extra care when installing pre-finished components and some touching up will undoubtedly be necessary around the cut areas.

If you have any queries please contact our technical helpline on **(0800) 085 3475**.

Please note:

All components should be inspected BEFORE installation commences for any damage, as Cheshire Mouldings cannot be held responsible for any damage caused during installation.

Tools required:

Saw, Battery drill, pozi-drive bit, drill bits $\varnothing 3\text{mm}$ & $\varnothing 4\text{mm}$, hammer, g clamps, chisel, spirit level, tape measure.

Download our Interactive Wall Panel Collection Brochure

Includes lots of new Clickable content



Sign up for our New Trade App



Fitting Instructions

Installing Posts

To establish correct height and length for the posts, measure down 1050mm from top of the post if you are using a plain square post or from under the decorative feature if you are using post with integrated cap. Mark the post. This indicates top of deck board location (**Fig.1**).

Posts should be positioned 1800mm max between inside faces (**Fig.2**).

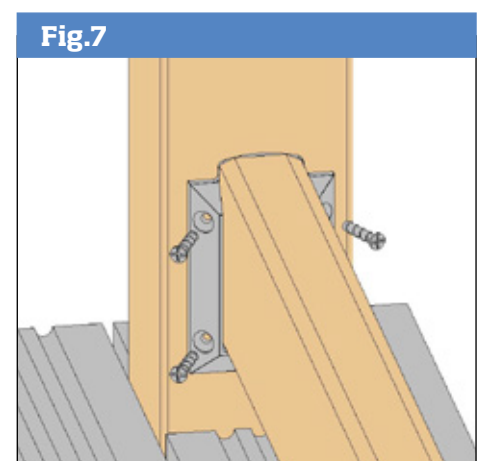
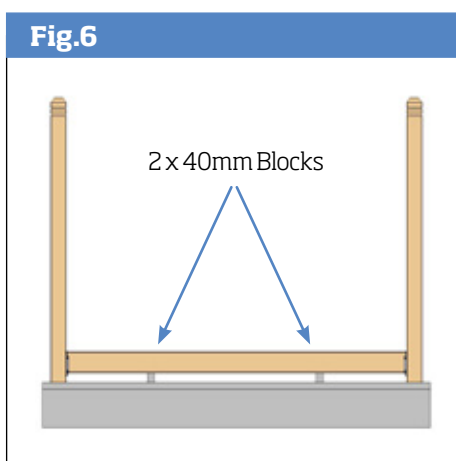
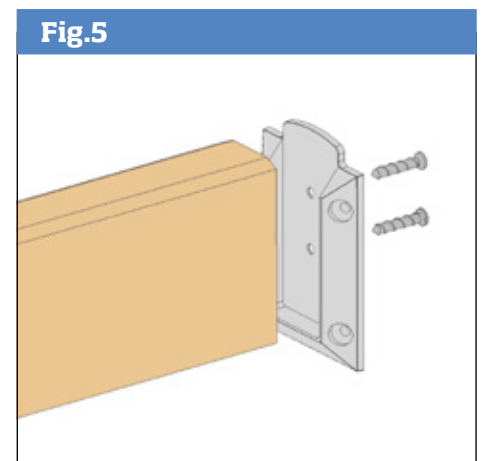
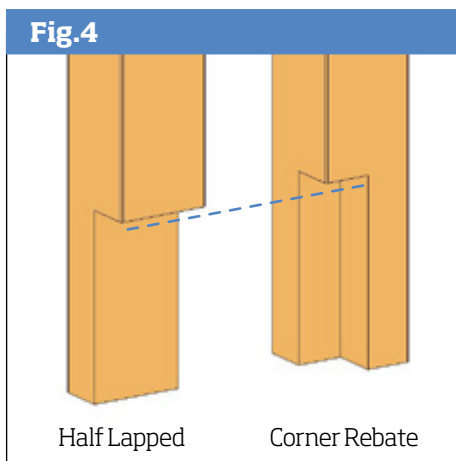
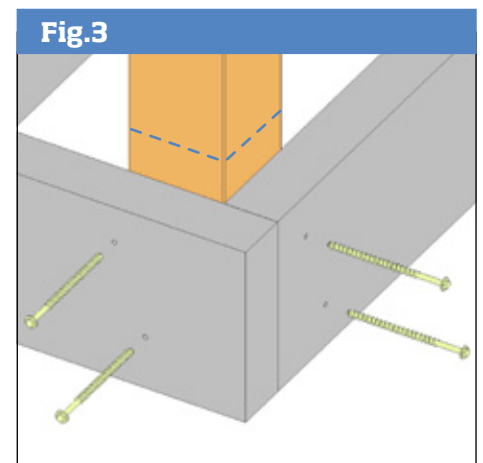
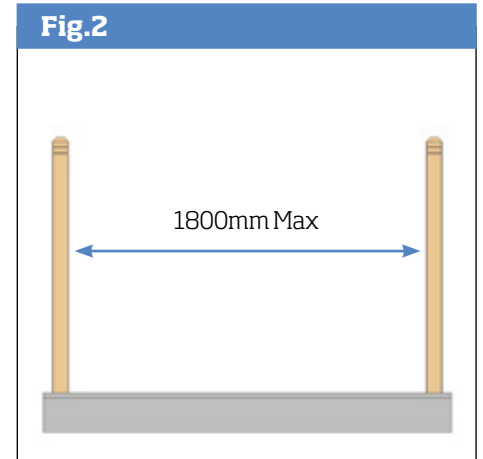
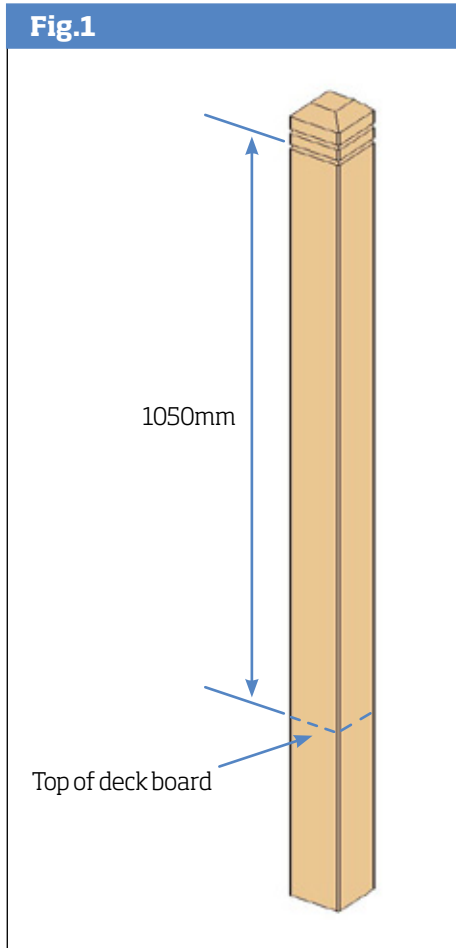
Secure your post at the correct height with 100mm landscape screws by either positioning the posts inside the joists so that 2 post faces can be secured through 2 joists at 90° (**Fig.3**). If this is not possible, posts that are fitted to the outside of the joists should be half lapped to the height of the joist and deck board thickness and rebate any corner posts if the balustrade has a 90° turn (**Fig.4**).

Handrails

With posts secured, re-measure distance between inside post faces. Please allow for bracket thickness of 3mm per bracket. Trim top and bottom rails to length. To install bottom rail, offer rail hanger brackets to each end of the rail. Pilot drill through back bracket holes and secure with screws supplied (**Fig.5**). Ensure rail holes are facing upwards.

Place 2 x 40mm blocks onto top of deck boards and offer bottom rail assembly between posts and onto top of blocks (**Fig.6**).

Check that the brackets are central to the inside post faces. Pilot drill through the side bracket holes and fix to post using screws supplied (**Fig.7**).



Offer rail hanger brackets to each end of the top rail, ensuring rail holes are facing downwards. Pilot drill through back bracket holes and secure with screws supplied (**Fig.8**). This will be fitted once balusters have been fitted.

Inserting metal balusters

Apply proprietary exterior grade gap filling adhesive to hole walls in bottom rail (**Fig.9**).

Offer balusters into bottom rail holes ensuring they are all facing the same way (**Fig.10**).

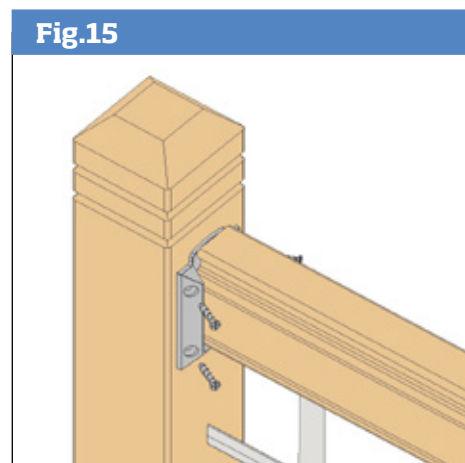
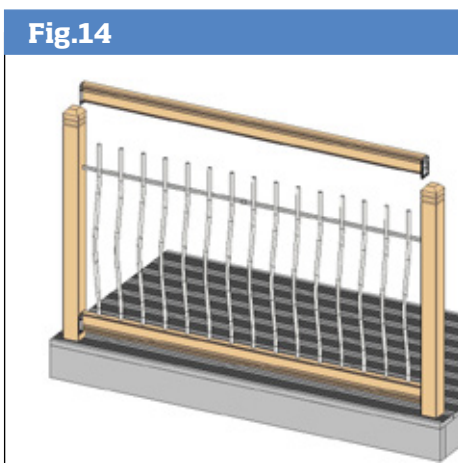
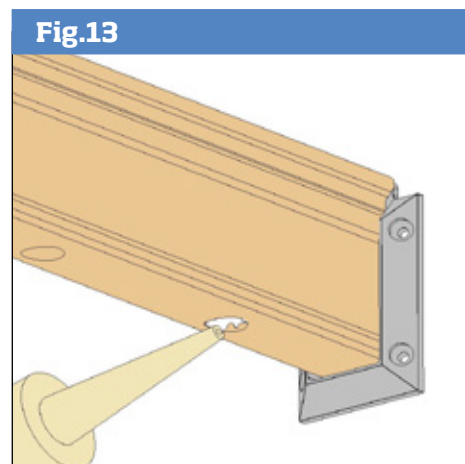
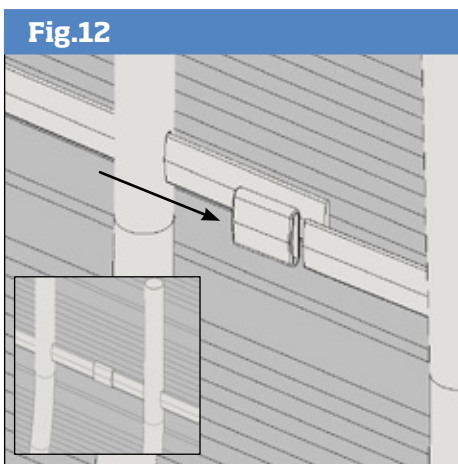
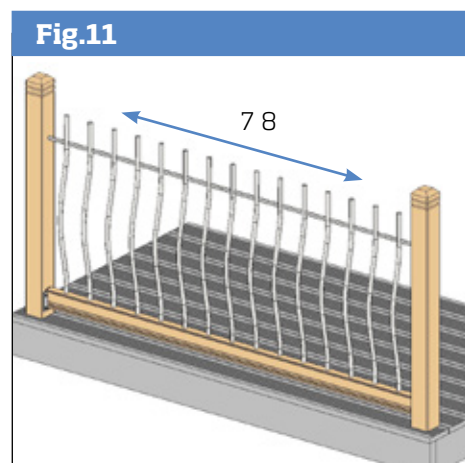
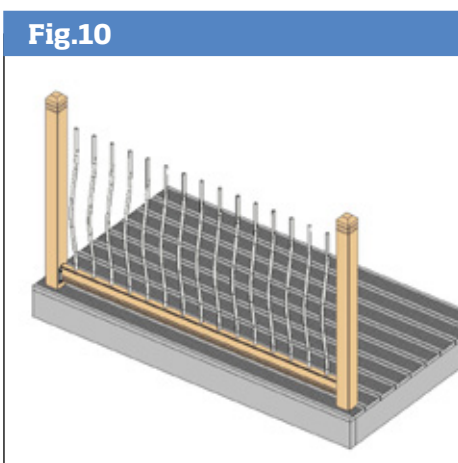
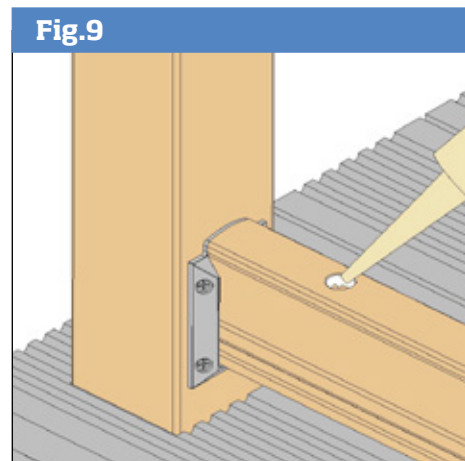
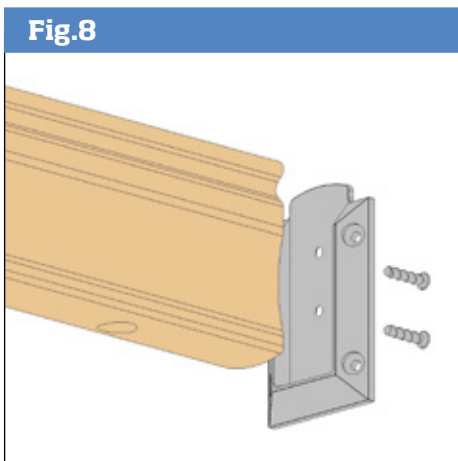
To keep the balusters aligned with each other, the 2 piece locking bar needs to be fitted. Insert the short length of locking bar (850mm) through the profile slot in 7th baluster along and thread back through other baluster slots until it touches the post face (**Fig.11**). Take the longer length of locking bar (950mm) and insert through baluster 8 slot and thread back through remaining baluster slots until the bar touches the post face.

Take the end jointer and apply clear silicone sealant to the inside. Where the locking bars ends meet between balusters, move baluster to one side to allow for the jointer to be inserted onto end of locking bar. Realign with other bar and slide jointer so it bridges gap between both ends (**Fig.12**).

Apply proprietary exterior grade gap filling adhesive to hole walls in top rail (**Fig.13**).

Offer assembled top rail between posts and guide the baluster tops into top rail holes. Once all balusters are inserted, press rail down until the balusters are fully inserted into top rail holes (**Fig.14**).

Centre the top rail hanger brackets to the post faces. Pilot drill through side bracket holes and fix to post using screws supplied (**Fig.15**).



Check out our huge **PRODUCT RANGE**

We supply more than you think



www.cheshiremouldings.co.uk



CHESHIRE
mouldings

Technical Helpline:
Freephone
0800 085 3475

