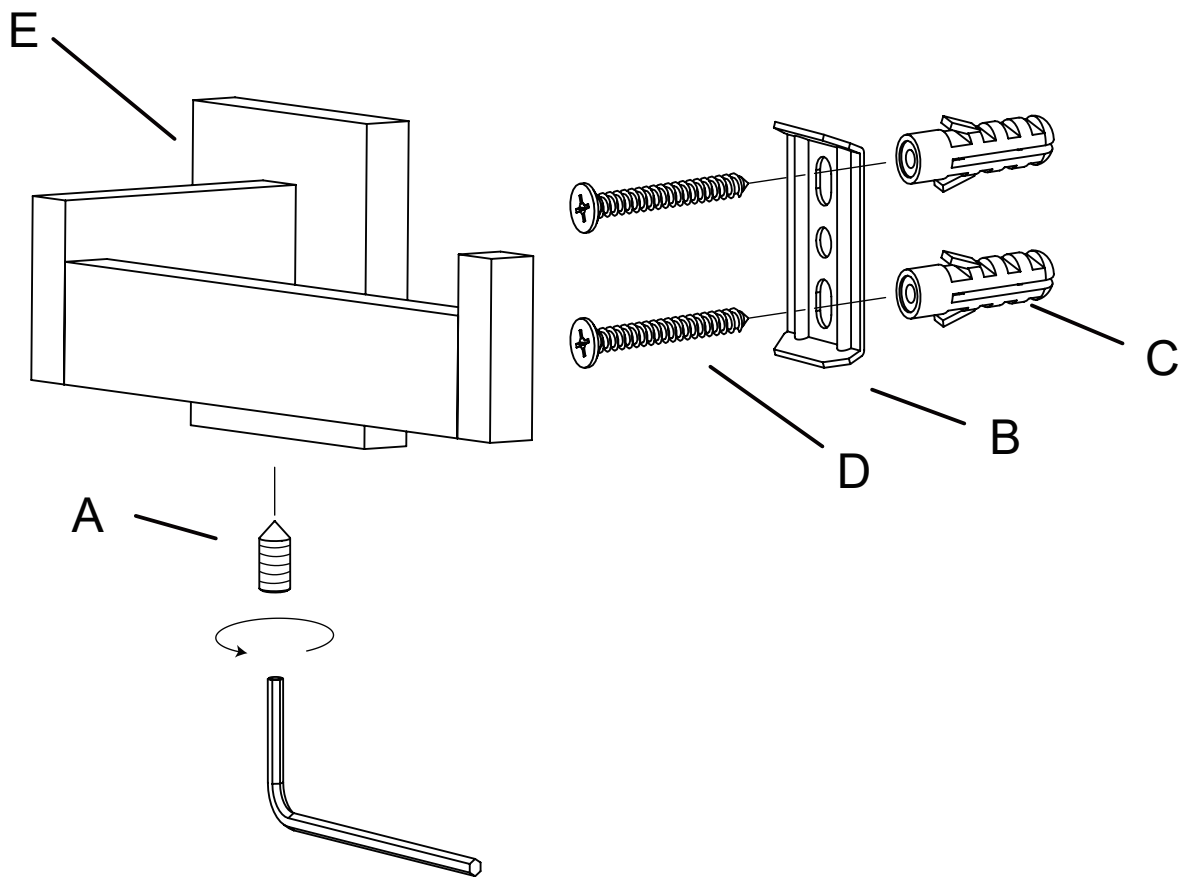


# Home Treats

## Toilet Roll Holder KA1105 KA1106



### Installation

Remove grub screw (A) with the allen key. Release and remove the backplate(B)

Use the backplate(B) holes to mark the pilot hole position on the wall.

Drill the pilot holes in the wall for raw plugs(C) & install the raw plugs ensuring the holes sit flush.

Secure backplate (B) to the wall with Screws (D). Do not over-tighten.

Place the Base(E) over Bracket(B).

Tighten grub screw(A) firmly.

Add your toilet roll

### Care

Clean using a non-abrasive, mild detergent if needed.

Use only a sponge or soft cloth for cleaning.

In the unlikely event parts are missing or damaged please contact the seller on the website the purchase was made. Our customer service team will assist