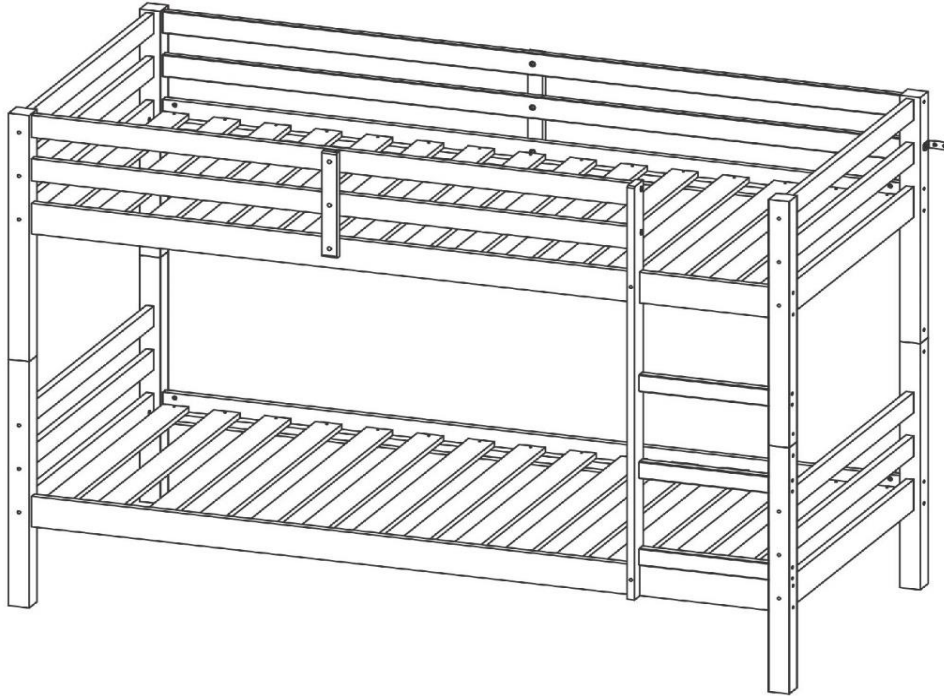


Home Treats

KA1051

ASSEMBLY INSTRUCTIONS SPLITTABLE BUNK BED

IMPORTANT: READ CAREFULLY - RETAIN FOR FUTURE REFERENCE.

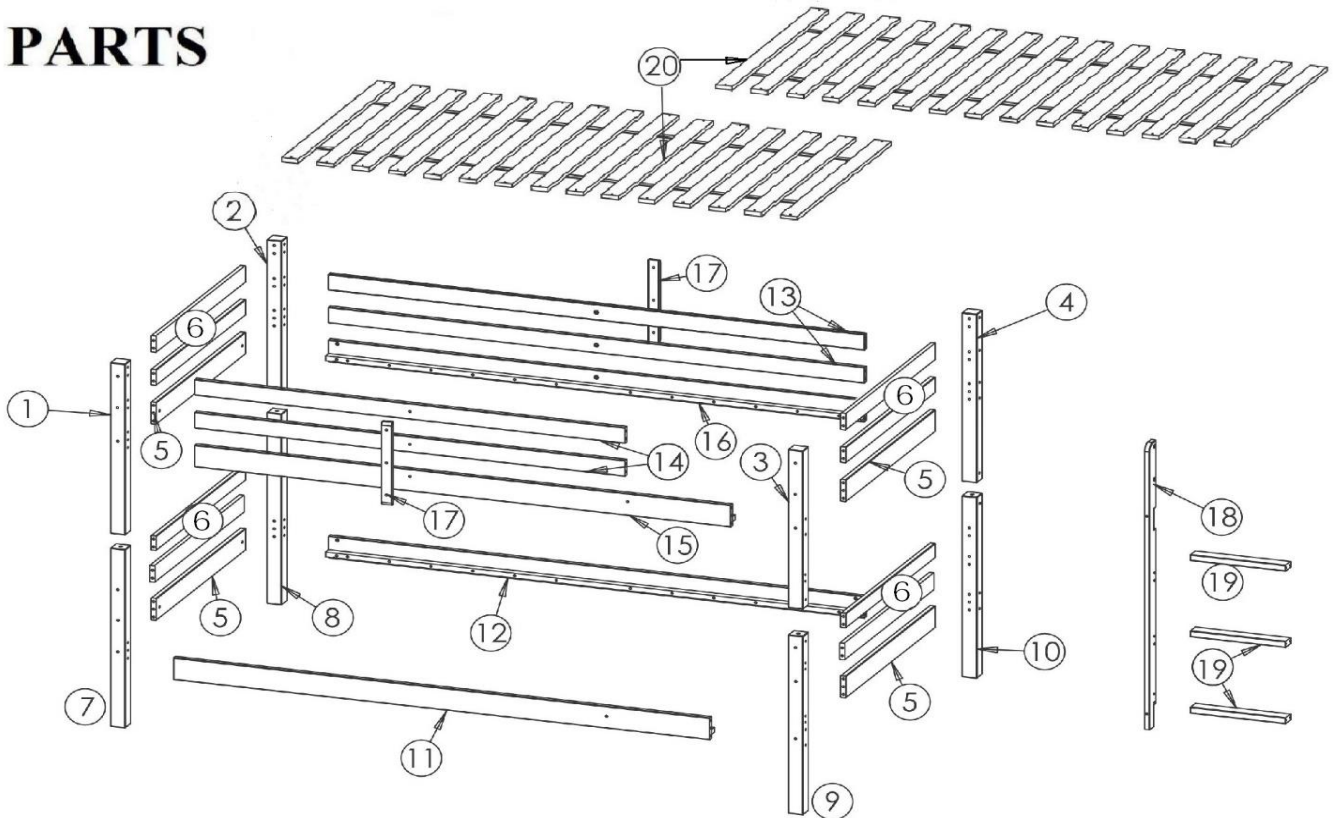


SAFETY WARNING

- All bunk beds and high beds intended to be assembled by someone other than the manufacturer or their representative shall contain assembly instructions, a list of parts supplied and details of any tools required to assemble the bed.
- We recommend that you use the mattress at size: 1900 x 900 x 160mm
- All assembly fastenings should always be tightened properly and that care should be taken that no fittings are loose.
- Instructions regarding positioning and connection of the means of access.
- The ladder is not for playing on, only use to climb onto top bunk.
- We recommend only one person on the upper bunk at one time.
- **Warning:** - The bunk bed or high bed should not be used if any structural part is broken or missing.
- The top of the mattress shall be at least 160mm below the upper edge of the safety barriers.
- **Warning:** - Children can become trapped between the bed and the wall.
To avoid risks of serious injury, the distance between the top barrier and the wall shall not exceed 75mm or shall be more than 230mm
- **Warning:** - "High beds and upper level of the bunk beds are not suitable for children under six years due to the risk of injury from falls."
- **Warning:** - "Bunkbeds and high beds can present a serious risk of injury from strangulation if not used correctly. Never attach or hang items to any part of the bunk bed that are not designed to be used with the bed, for example, but not limited to ropes, strings, cords, hooks, belts and bags.
- The ventilation of the room is necessary in order to keep the humidity low and to prevent mold in and around the bed.
- The manufacturer's instructions must be always followed.
- EN747-1 & 2: 2012+A1: 2015 TEST Version.

TWO (2) MEN ARE REQUIRED, TO HOLD AND ASSEMBLE THE PARTS INTO POSITION. PLEASE CHECK THAT YOU HAVE ALL THE PARTS LISTED BEFORE YOU START ASSEMBLY. IF YOU DO FIND SOMETHING MISSING, PLEASE CONTACT YOUR SUPPLIER IMMEDIATELY.

PARTS



- | | |
|---------------------------------|--|
| ① BED POST – TOP FRONT LEFT | ⑪ SIDE RAIL – BOTTOM FRONT |
| ② BED POST – TOP REAR LEFT | ⑫ SIDE RAIL – BOTTOM REAR |
| ③ BED POST – TOP FRONT RIGHT | ⑬ LONG GUARD RAIL – TOP REAR (x2) |
| ④ BED POST – TOP REAR RIGHT | ⑭ SHORT GUARD RAIL – TOP FRONT (x2) |
| ⑤ HEAD & FOOTBOARD RAIL (x4) | ⑮ SIDE RAIL – TOP FRONT |
| ⑥ HEAD & FOOTBOARD RAIL (x8) | ⑯ SIDE RAIL – TOP REAR |
| ⑦ BED POST – BOTTOM FRONT LEFT | ⑰ VERTICAL RAIL FOR TOP GUARDRAIL (x2) |
| ⑧ BED POST – BOTTOM REAR LEFT | ⑱ LADDER VERTICAL RAIL |
| ⑨ BED POST – BOTTOM FRONT RIGHT | ⑲ LADDER STEP (x3) |
| ⑩ BED POST – BOTTOM REAR RIGHT | ⑳ SLATS – TOP & BOTTOM (x2) |

CARE & MAINTENANCE

- 1) No power tools shall be used for assembly of the bed. Use only allen key provided for assembly.
- 2) Periodically check and ensure all bolts and nuts are fully tightened.

Method of Cleaning

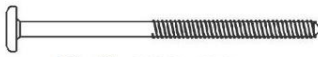





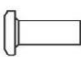




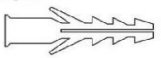

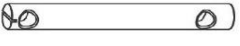
- 1) Use damp cloth for normal cleaning.
- 2) For bright parts, use a clean dry duster only.

USE OF POWER TOOLS TO ASSEMBLE THIS PRODUCT WILL INVALIDATE ANY CLAIM AND MAY DAMAGE THIS PRODUCT, MAKING IT UNSAFE.

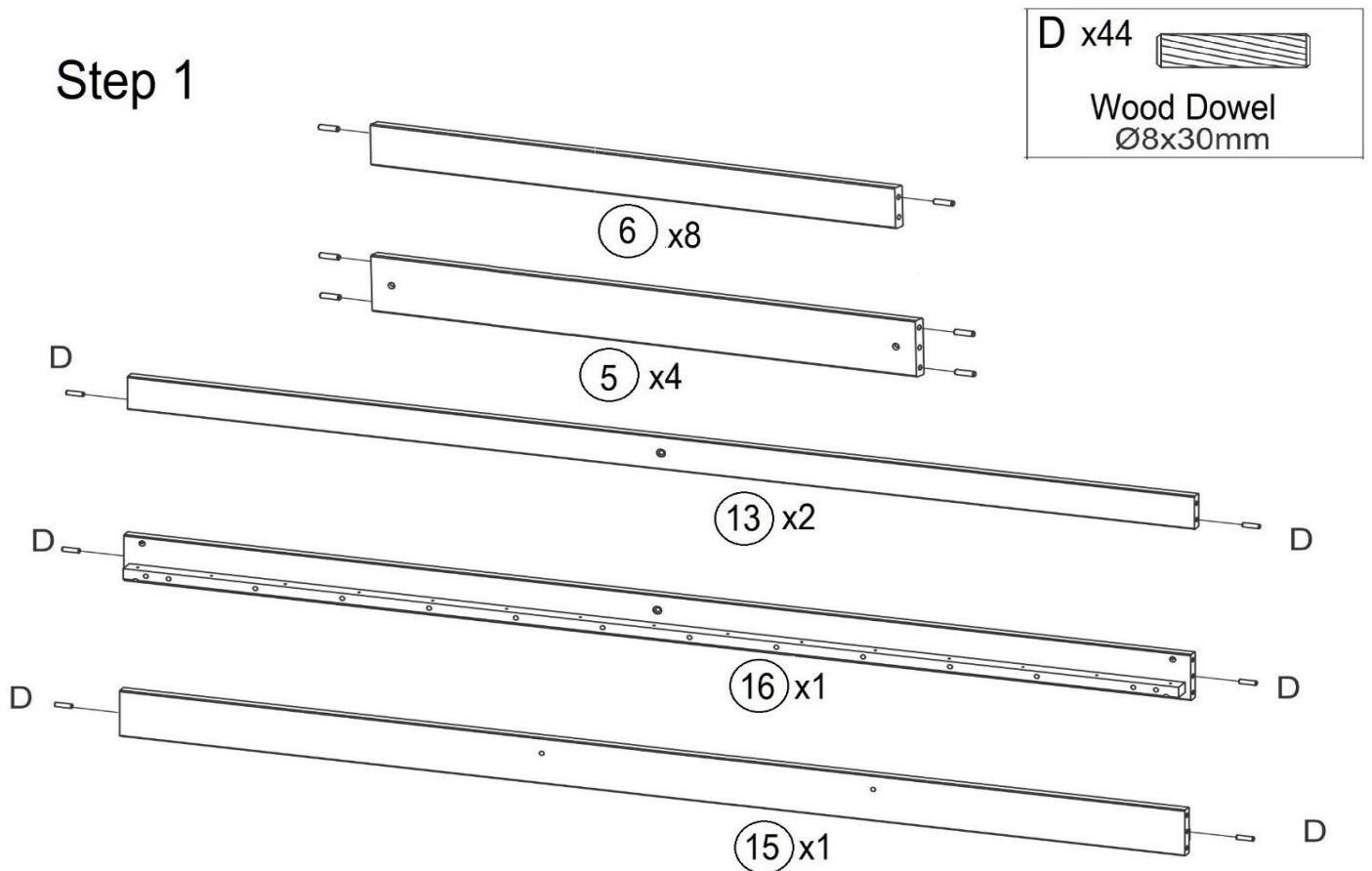


**PLEASE CHECK THAT YOU HAVE ALL THE PARTS LISTED BEFORE YOU START ASSEMBLY.
IF YOU DO FIND SOMETHING MISSING, PLEASE CONTACT YOUR SUPPLIER IMMEDIATELY.**

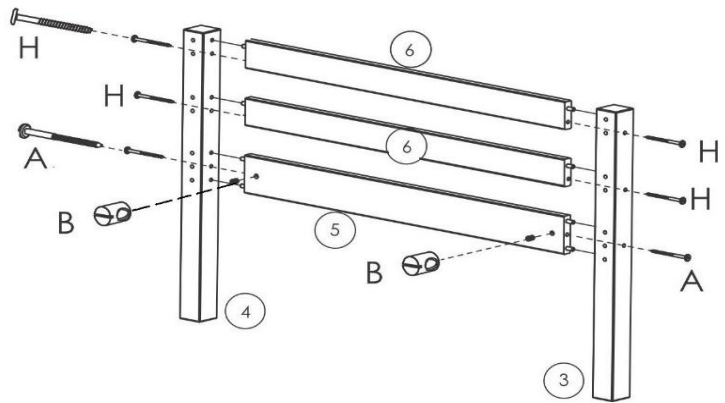
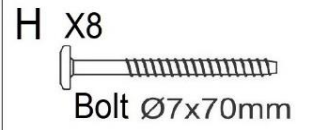
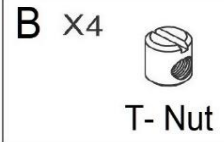
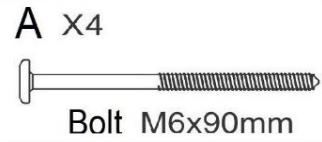
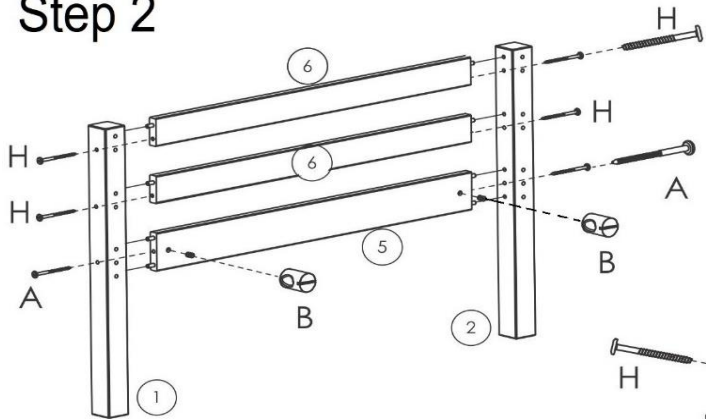
HARDWARE

<p>A X24  Bolt M6x90mm</p>	<p>B X24  T- Nut</p>	<p>C X14  Bolt M6x30mm</p>	<p>D X48  Wood Dowel Ø8x30mm</p>
<p>E X2  Allen Key</p>	<p>F X60  Screw Ø4x25mm</p>	<p>G X8  Nut M6x18mm</p>	<p>H X28  Bolt Ø7x70mm</p>
<p>I X8  Bolt Ø7x50mm</p>	<p>J X2  Bolt M6x45mm</p>	<p>K X2  Screw Ø4x40mm</p>	<p>L X2  Wall Plug</p>
<p>M X2  L-Bracket</p>	<p>N X4  Pin Ø10x82mm</p>		

Step 1

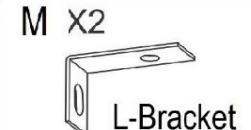
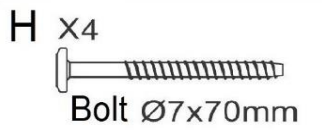
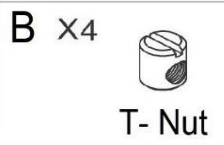
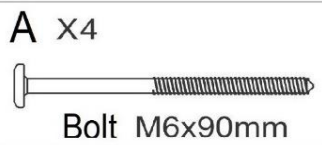
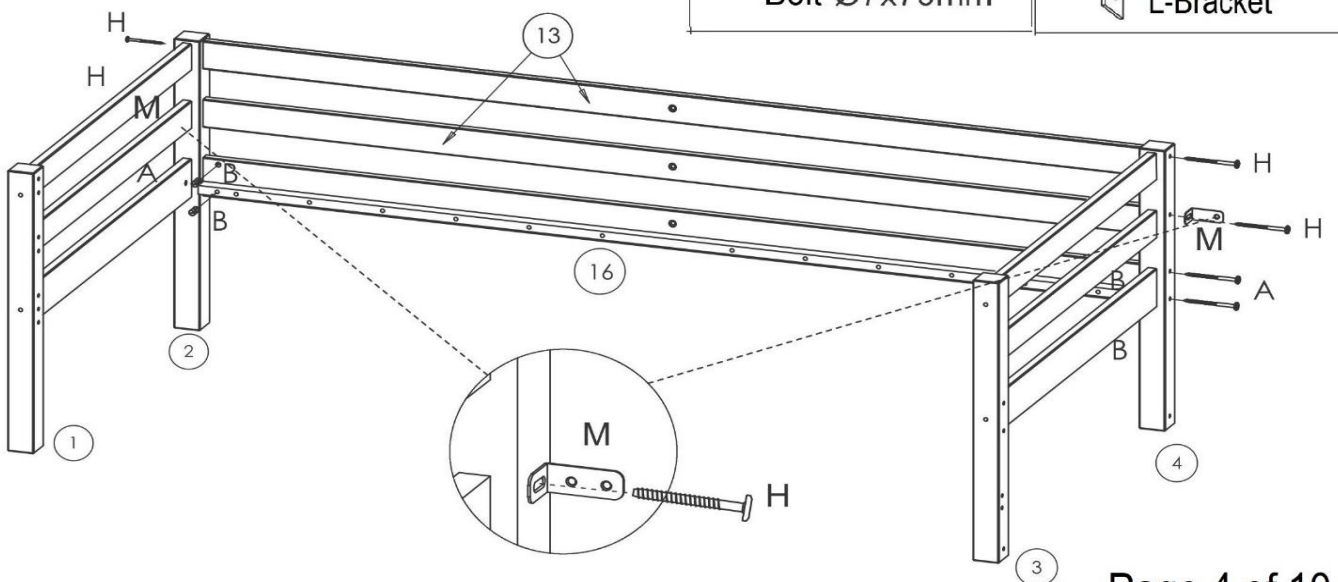


Step 2

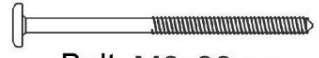



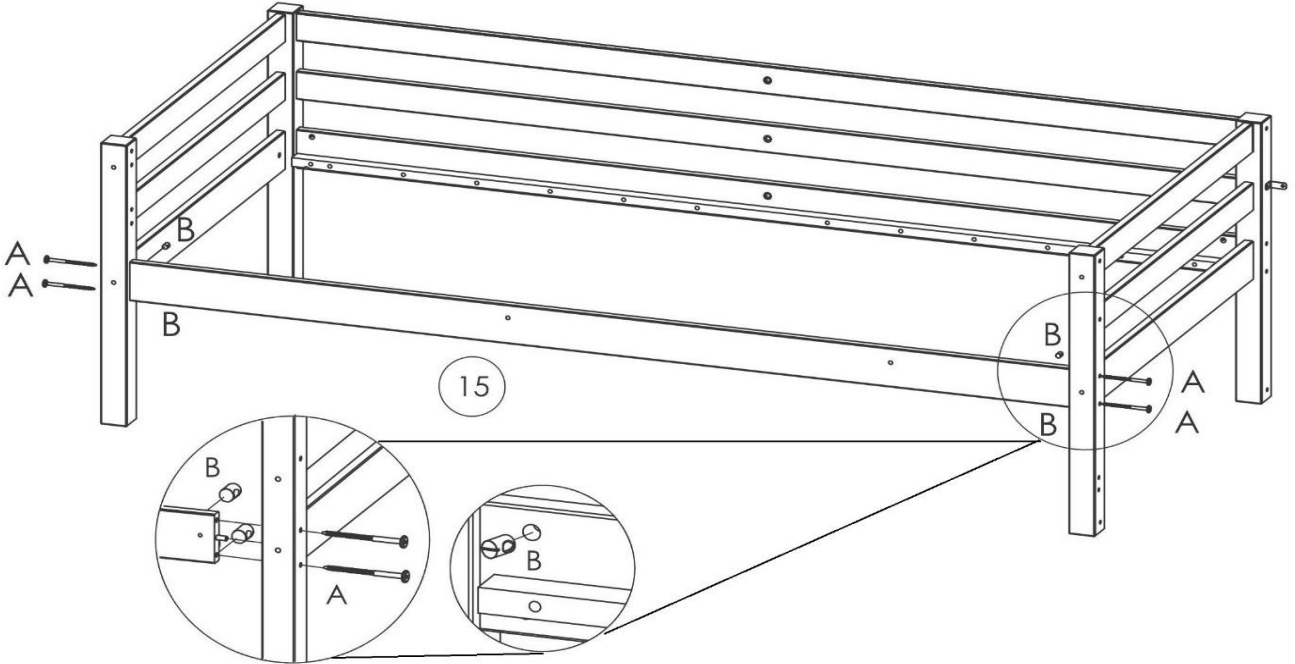
Step 3

3

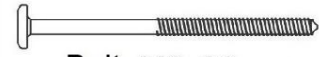

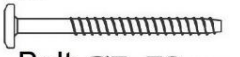


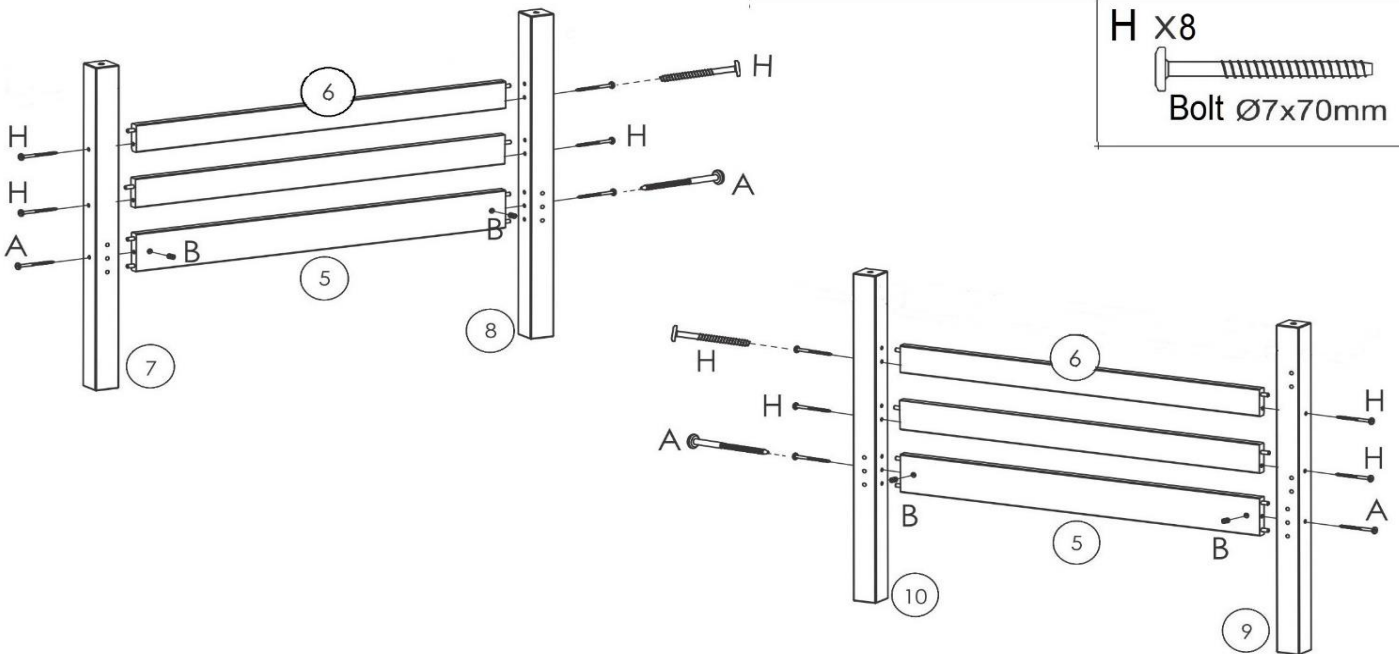
Step 4

<p>A X4</p>  <p>Bolt M6x90mm</p>	<p>B X4</p>  <p>T- Nut</p>
---	--

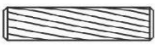


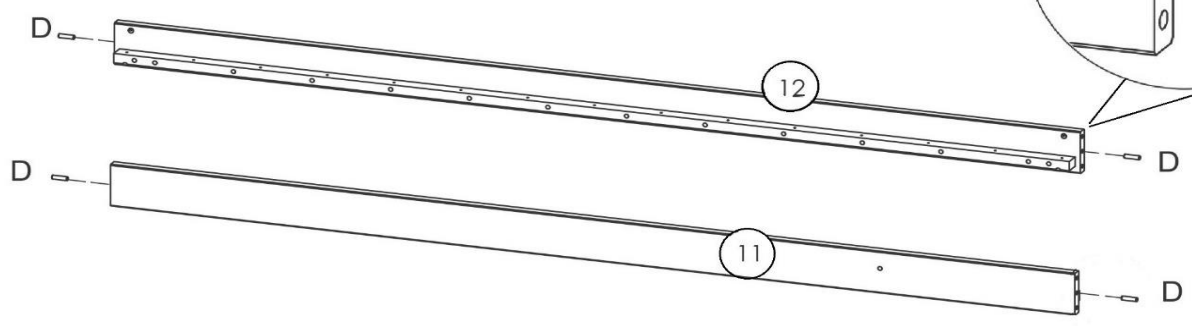
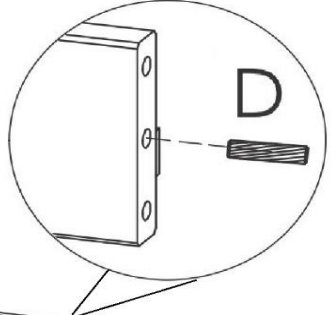
Step 5

<p>A X4</p>  <p>Bolt M6x90mm</p>	<p>B X4</p>  <p>T- Nut</p>
<p>H X8</p>  <p>Bolt Ø7x70mm</p>	

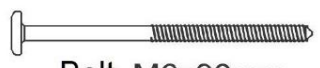



Step 6

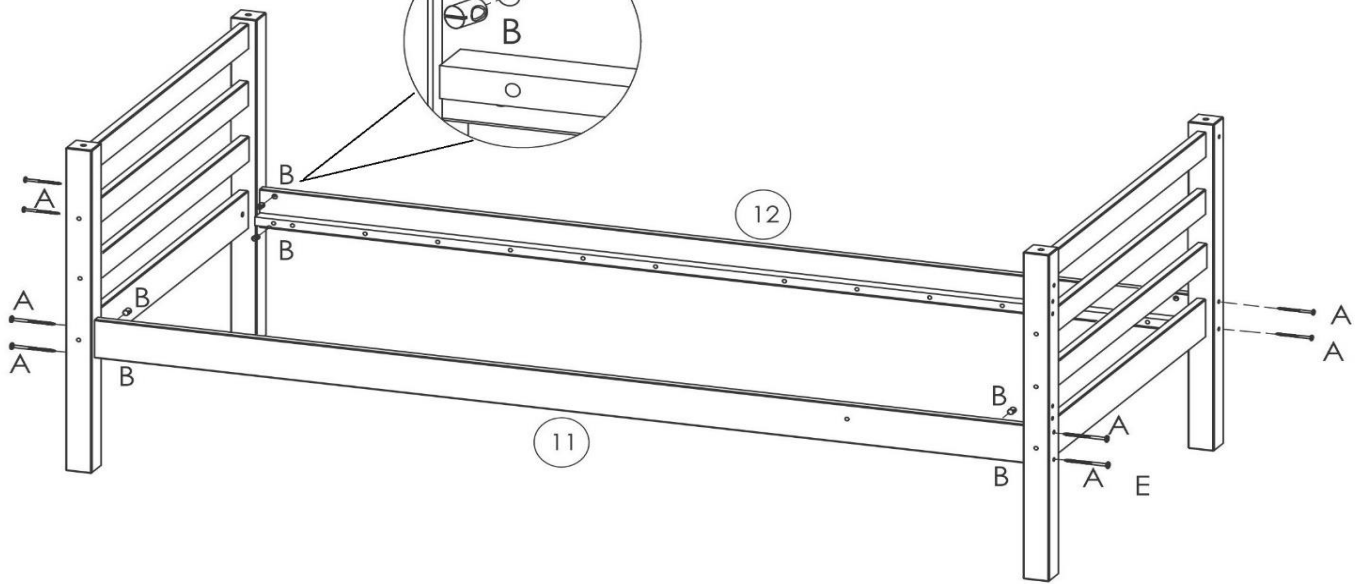
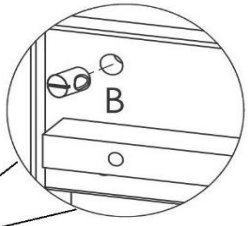
D X4 
Wood Dowel
Ø8x30mm




Step 7


A X8 
Bolt M6x90mm

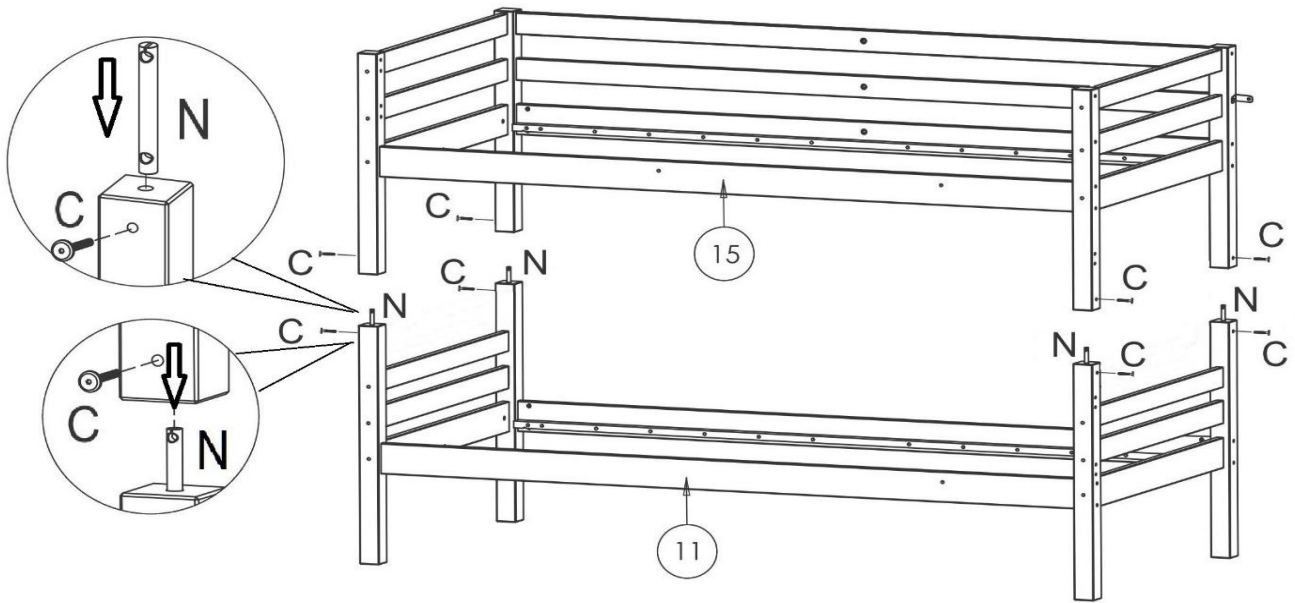
B X8 
T- Nut



Step 8

C X8

 Bolt M6x30mm


N X4

 Pin Ø10x82mm

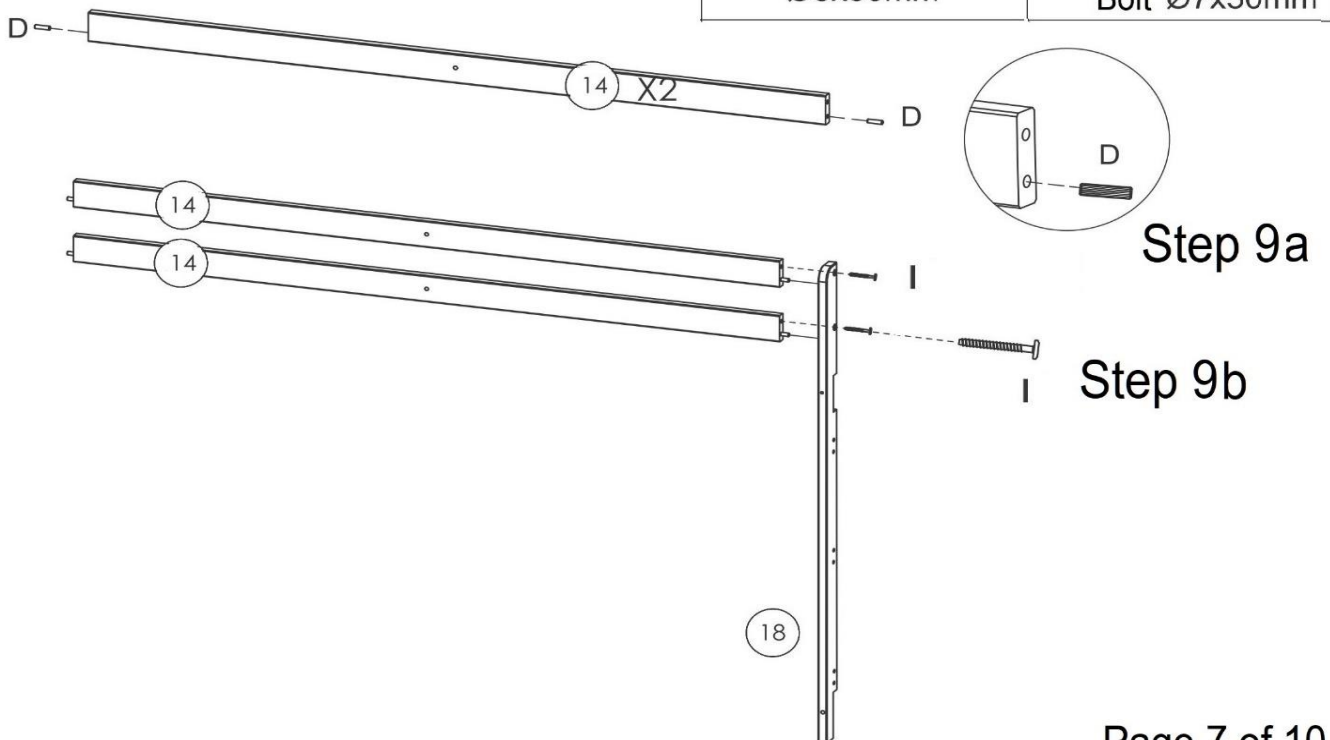


Step 9

D X4

 Wood Dowel
 Ø8x30mm

I X2

 Bolt Ø7x50mm

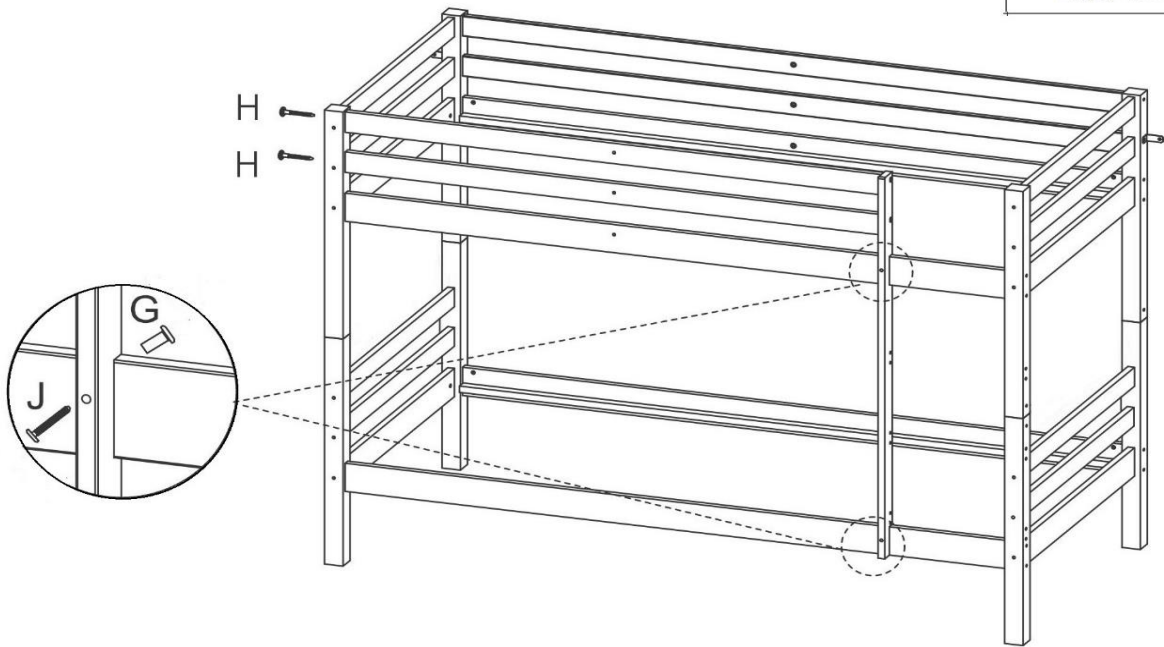


Step 10

G X2
Nut M6x18mm

H X2
Bolt Ø7x70mm

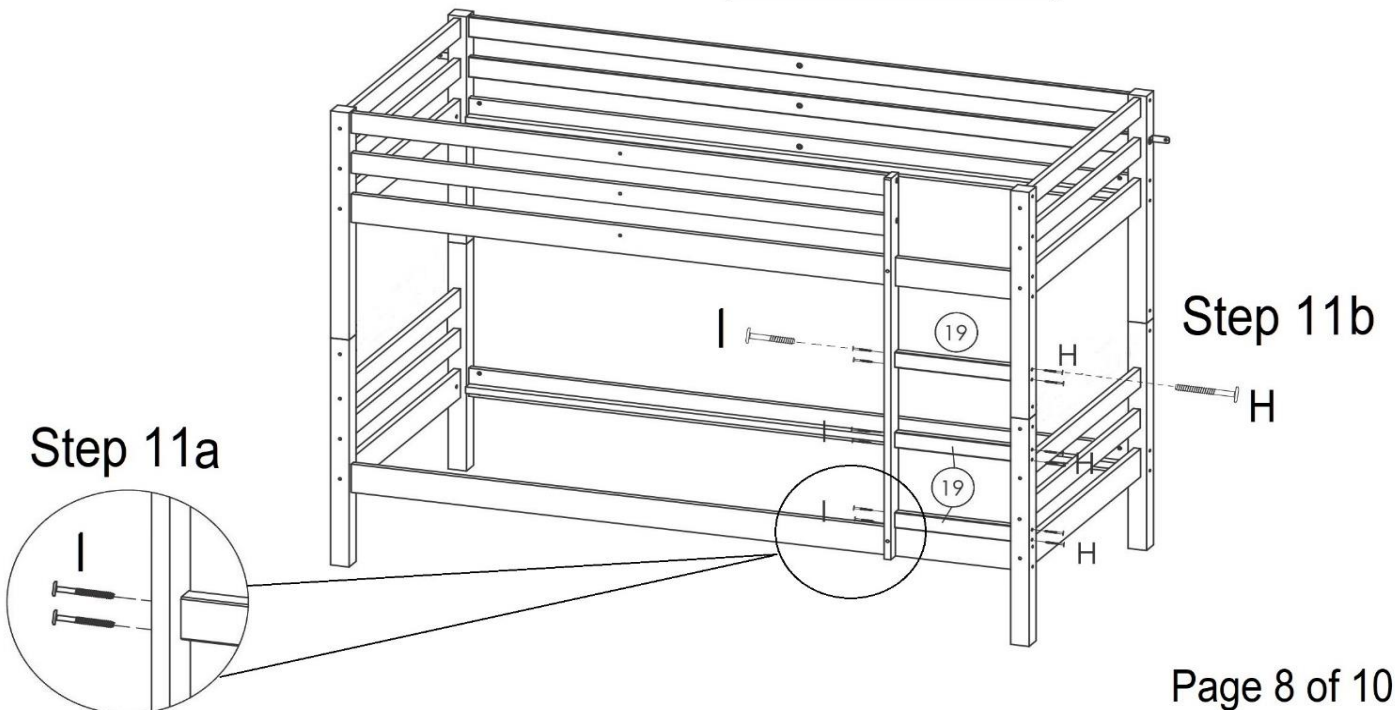
J X2
Bolt M6x45mm



Step 11

H X6
Bolt Ø7x70mm

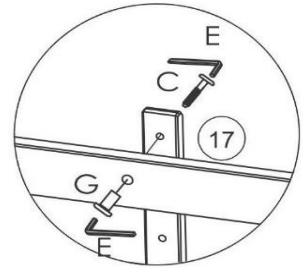
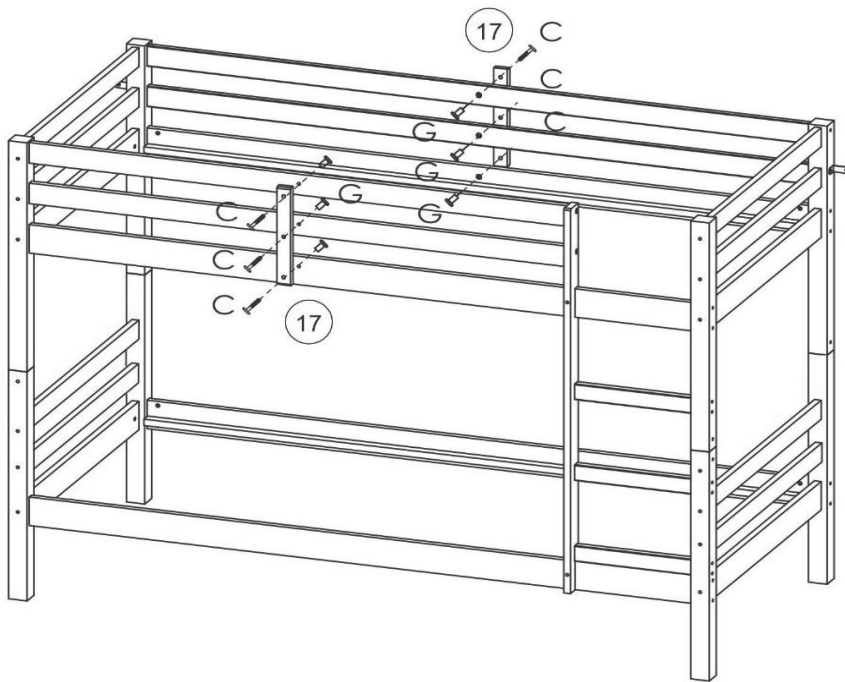
I X6
Bolt Ø7x50mm



Step 12

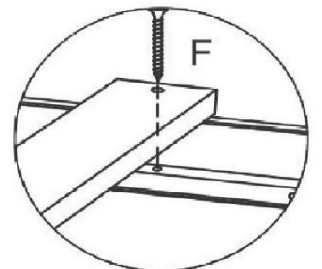
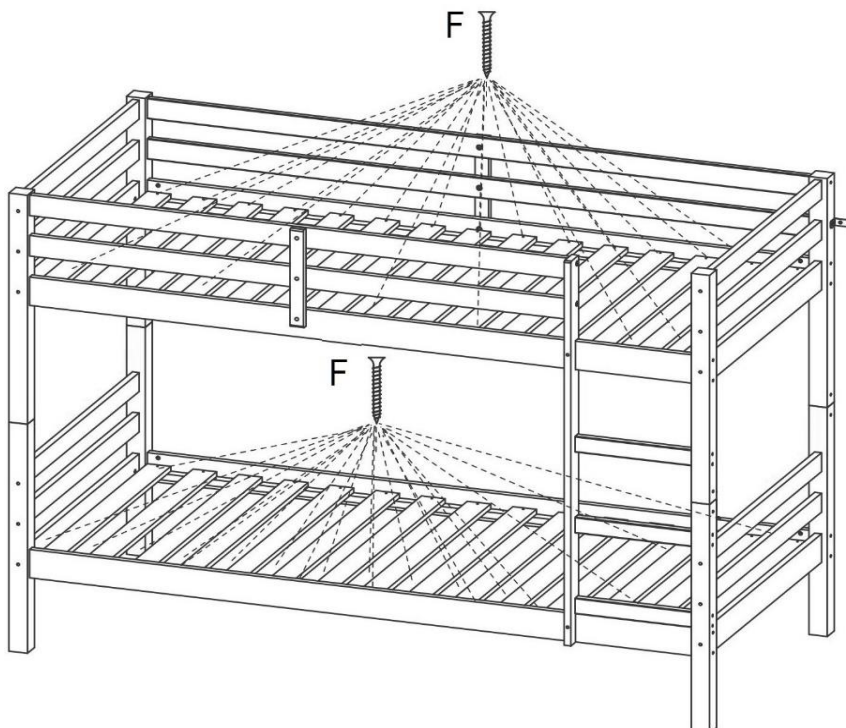
C X6
Bolt M6x30mm

G X6
Nut M6x18mm



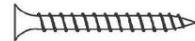
Step 13

F X60
Screw $\text{\O}4 \times 25\text{mm}$



Step 14

K X2



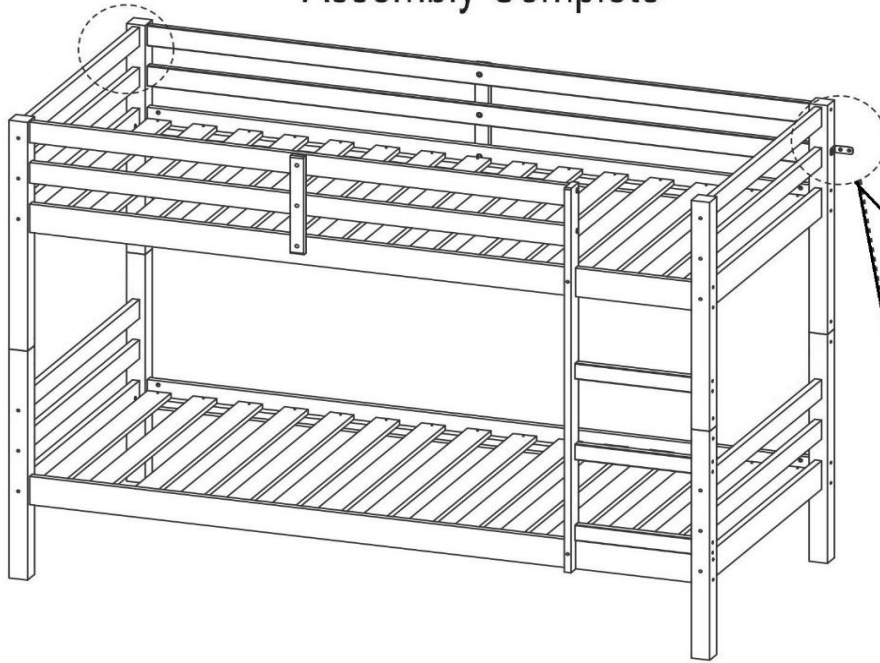
Screw Ø4x40mm

L X2



Wall Plug

Assembly Complete



I

II

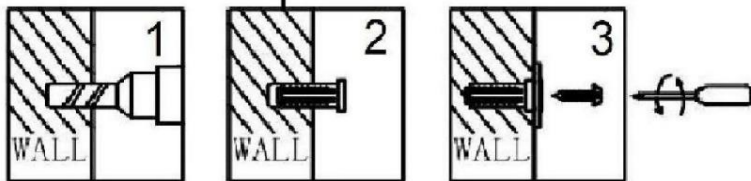
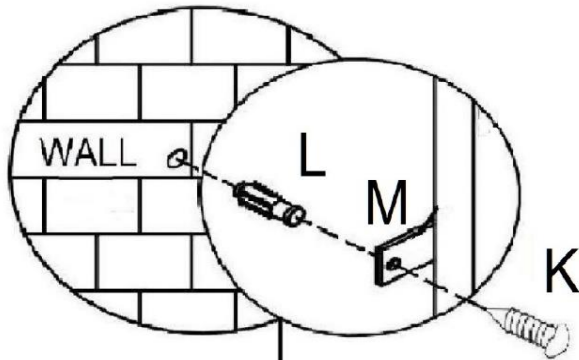
Power Drill
(Not provided)

III

Wall Plug L
Hammer
(Not provided)

IV

Wall Plug L
Screw K



Philip Screwdriver & Drill (Not Provided) are required to attached the bed with L-bracket (M) to the wall.