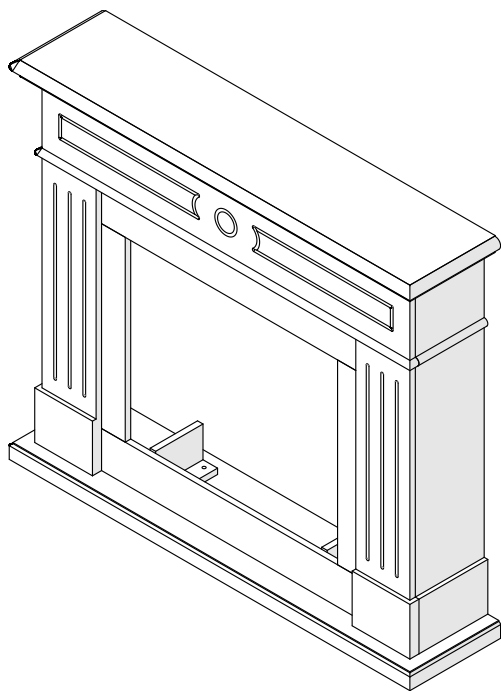


# FIREPLACE MANTEL

ASSEMBLY INSTRUCTIONS

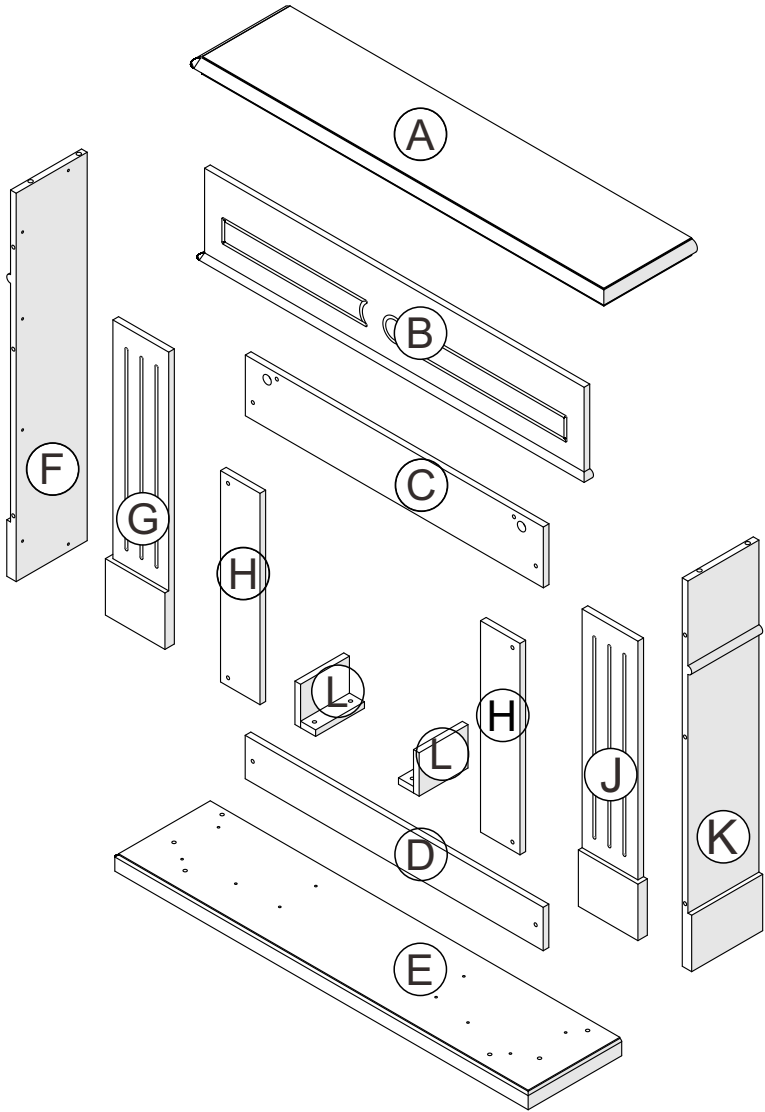
**MT321A**



If you have a problem with this product, DO NOT RETURN.  
Call our customer service ,Tel: 01785 719005, or  
E-mail: [customerservice@moddelo.co.uk](mailto:customerservice@moddelo.co.uk)



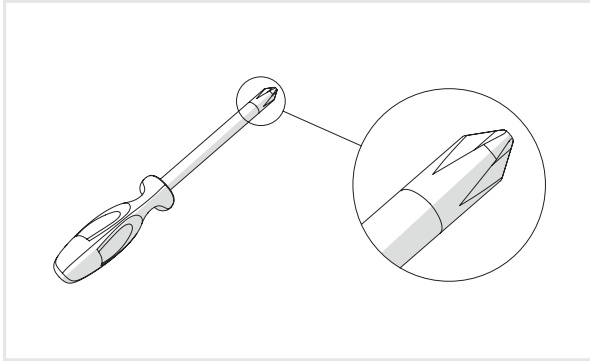
# PARTS LIST


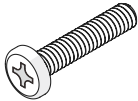
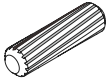

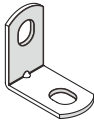
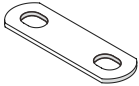



# PARTS AND ACCESSORIES

## Tools required:

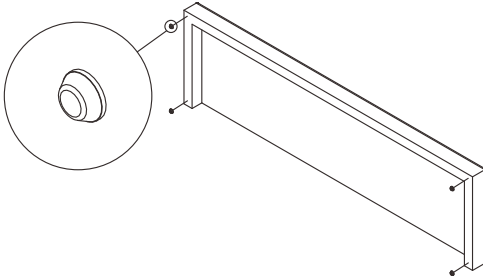
A screwdriver will be needed.



 <b>43 x</b> M6x12mm	 <b>15 x</b> M6x28mm	 <b>17 x</b> ø 8x30mm
 <b>15 x</b>	 <b>20 x</b>	 <b>3 x</b>
 <b>6 x</b>		

# ASSEMBLY INSTRUCTIONS

## 01

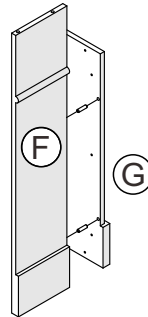
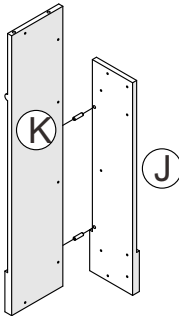


4x

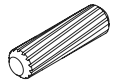


Carry out this assembly step on both sides

## 02



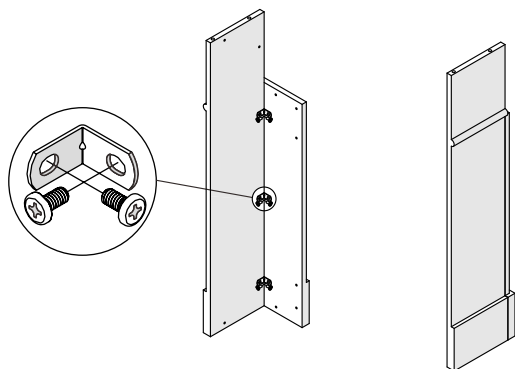
4x



∅ 8x30mm

Carry out this assembly step on both sides

# 03



12 x



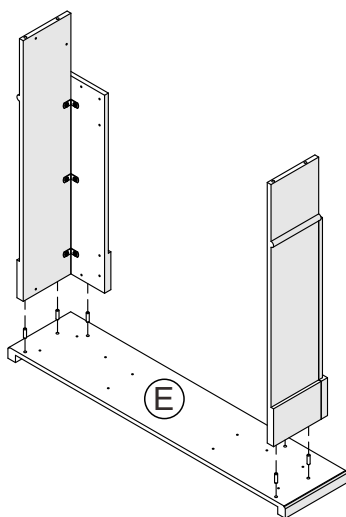
M6x12mm

6 x

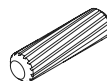


Carry out this assembly step on both sides

# 04



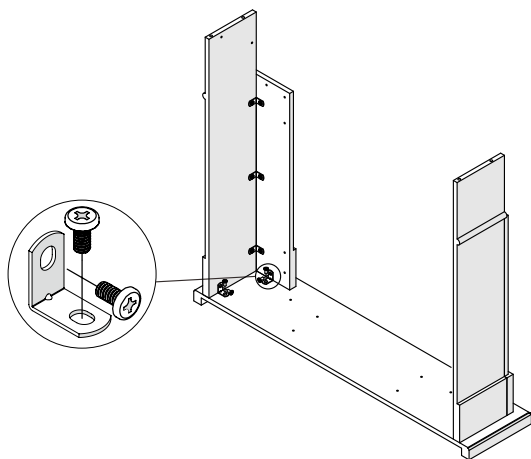
6 x



ø 8x30mm

Carry out this assembly step on both sides

# 05



8 x



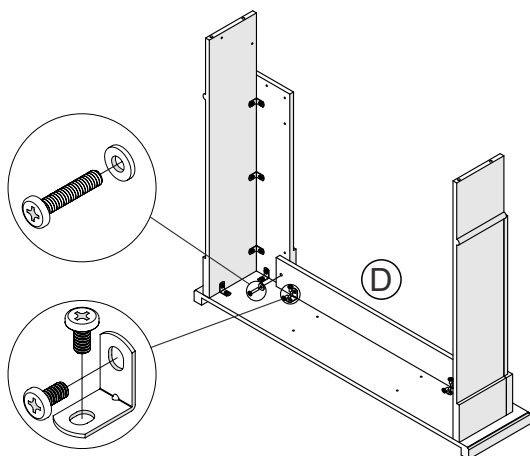
M6x12mm

4 x



Carry out this assembly step on both sides

# 06



4 x



M6x12mm

2 x



2 x



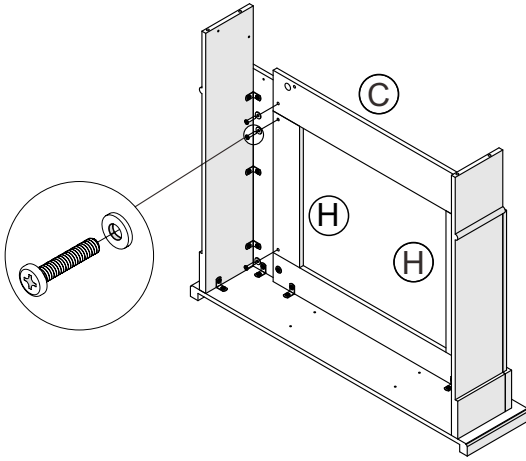
M6x28mm

2 x

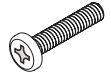


Carry out this assembly step on both sides

07



6x



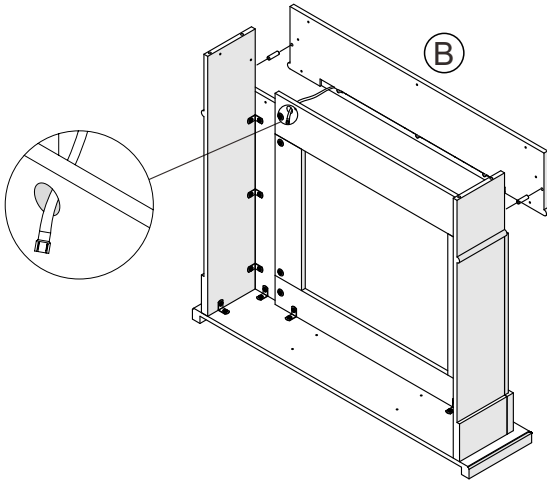
M6x28mm

6x

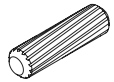


Carry out this assembly step on both sides

08

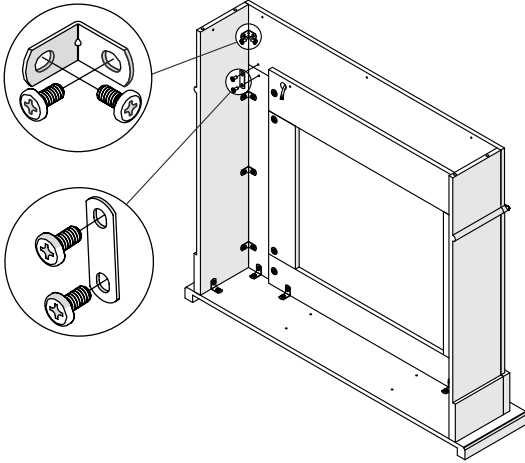


2x



∅ 8x30mm

# 09



8 x



M6x12mm

2 x

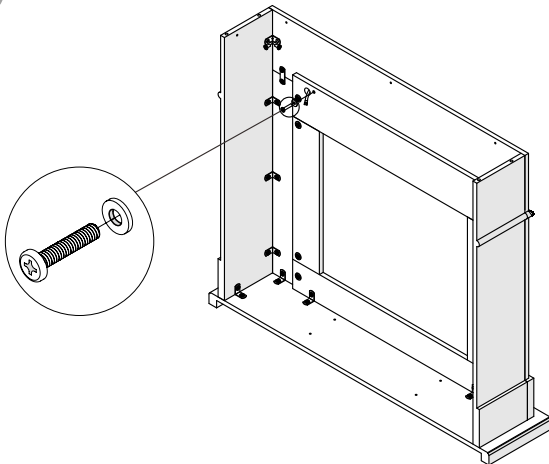


2 x

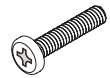


Carry out this assembly step on both sides

# 10



2 x



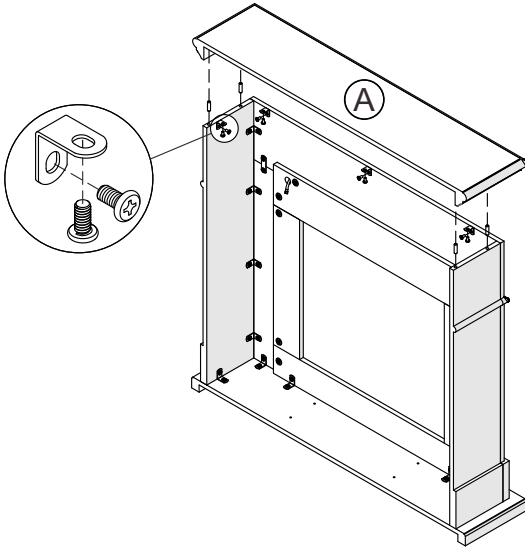
M6x28mm

2 x



Carry out this assembly step on both sides

# 11



10 x

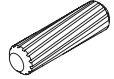


M6x12mm

5 x



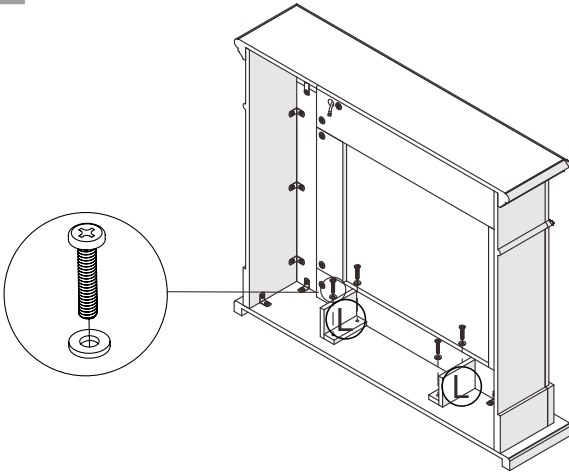
4 x



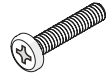
∅ 8x30mm

Carry out this assembly step on both sides

# 12



4 x



M6x28mm

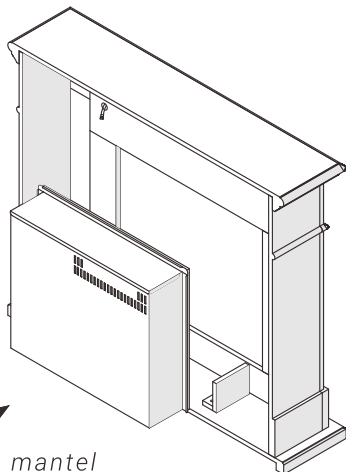
4 x



Carry out this assembly step on both sides

---

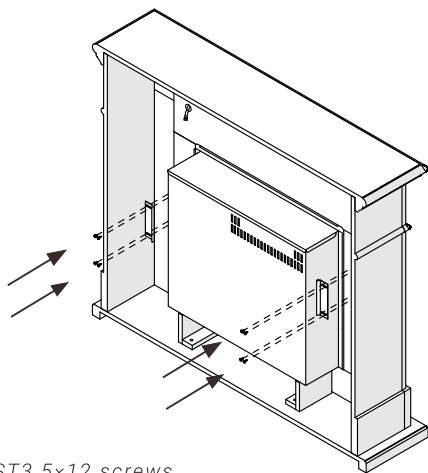
# 13



*Rear side of the mantel*

---

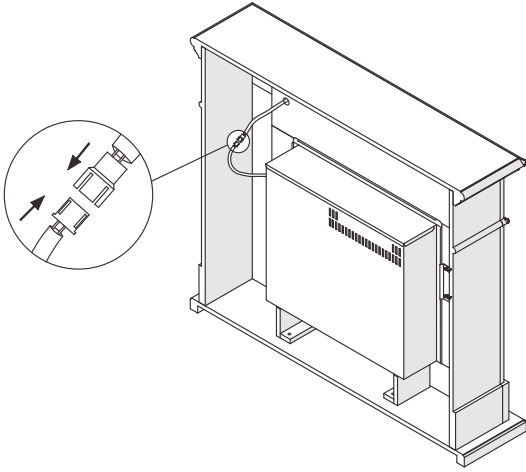
# 14



*Use 8 pcs ST3.5x12 screws*

---

# 15



*Connect the Mood Light*

---







**Distributor:** Modelo Ltd  
Deansfield House  
98 Lancaster Road  
Newcastle under Lyme  
Staffordshire  
England, ST5 1DS

**Tel:** 01785 719005  
**Email:** [customerservice@modelo.co.uk](mailto:customerservice@modelo.co.uk)