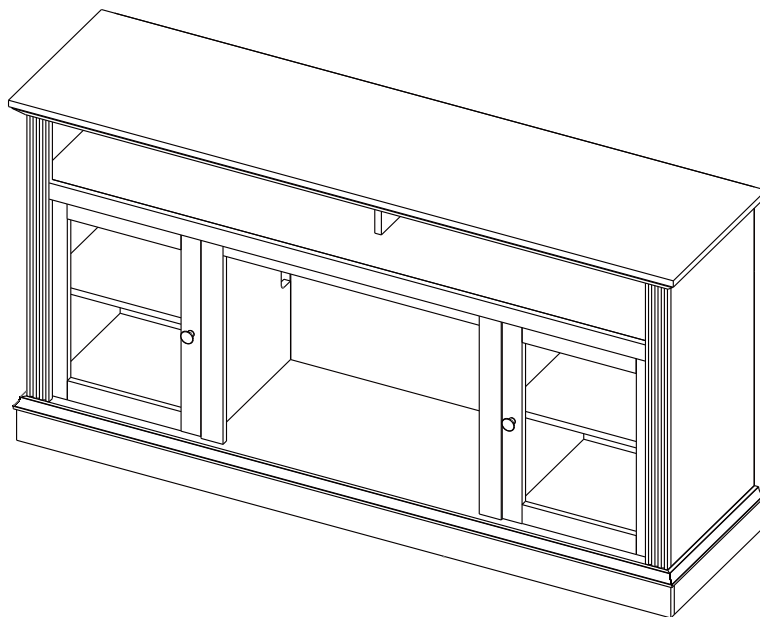


FIREPLACE MANTEL

ASSEMBLY INSTRUCTIONS

MT378D

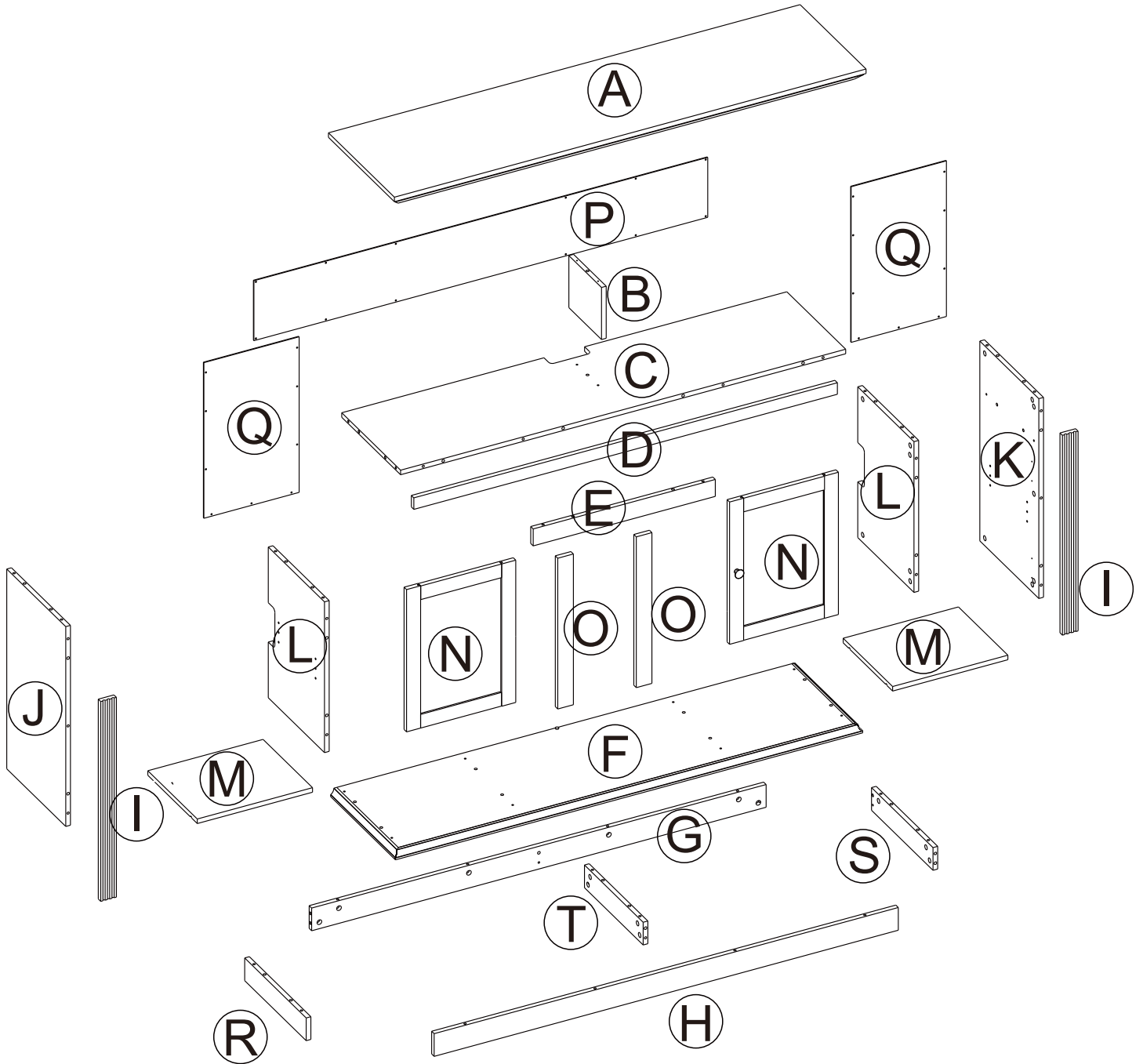


If you have a problem with this product, DO NOT RETURN.


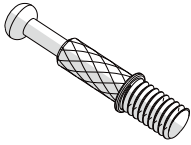
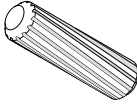
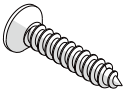
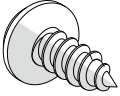
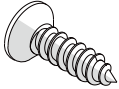


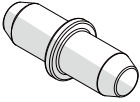
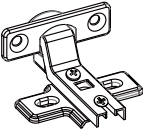
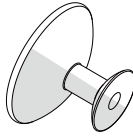
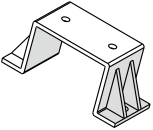
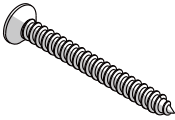
Call our customer service ,Tel: 01785 719005, or

E-mail: customerservice@moddelo.co.uk

PARTS LIST

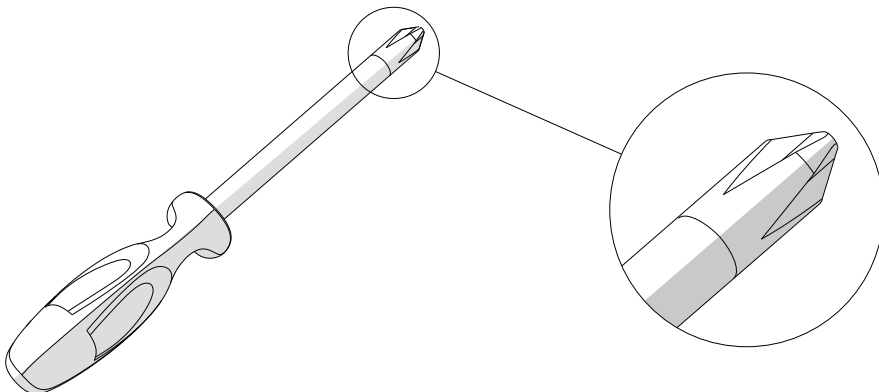


ACCESSORIES

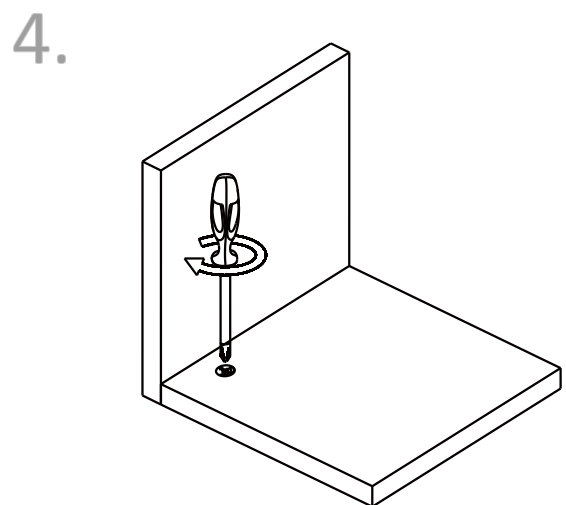
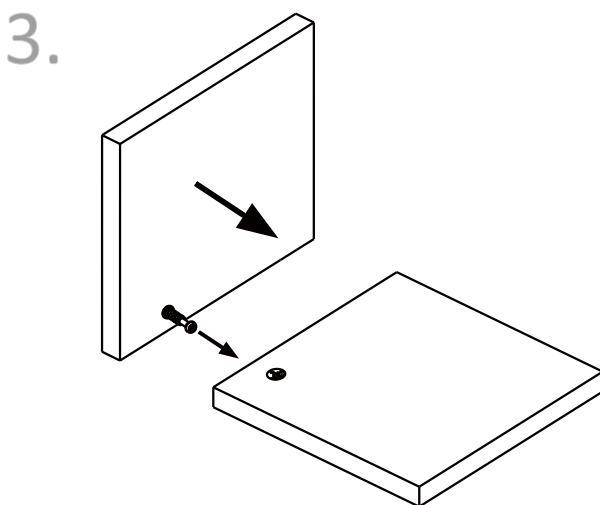
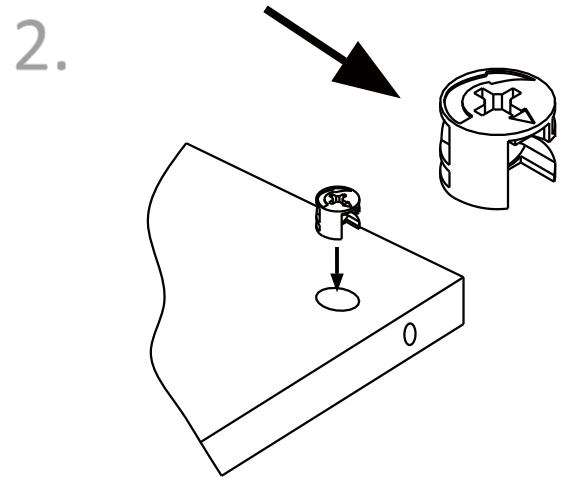
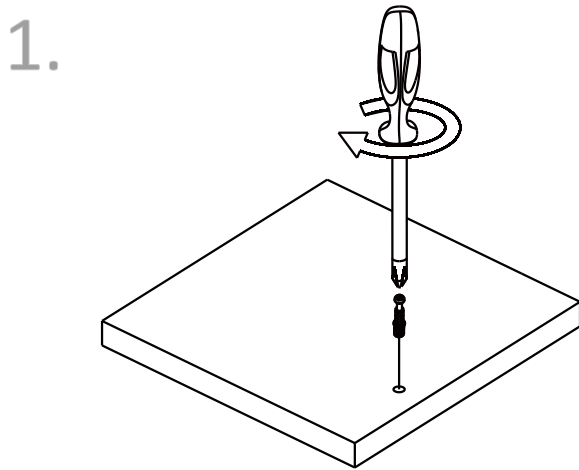
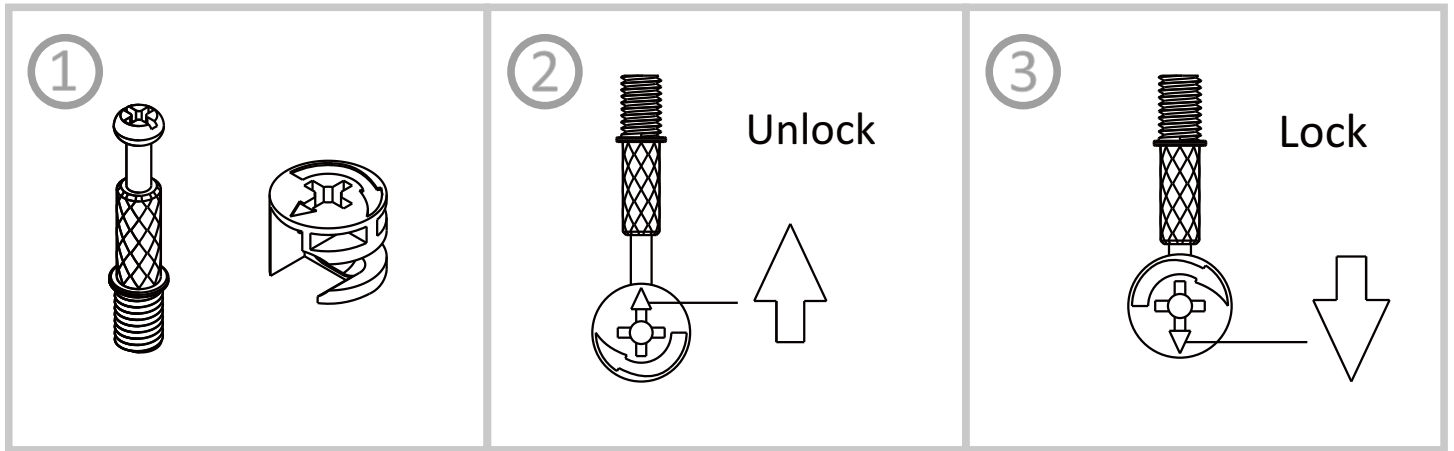
			
cam lock X59+1	cam bolt X59+1	wood dowel X48+1	screw ST3x16 X34+1
			
screw ST4x14 X8+1	screw ST4x14 X8+1	screw M4x18 X2+1	screw M5x10 X8+1
			
pin X8+1	hinge X4	handle X2	fixing bracket X4
			
screw ST4x40 X2+1			

TOOLS REQUIRED

A screwdriver will be needed.



CAM LOCK FASTENING SYSTEM

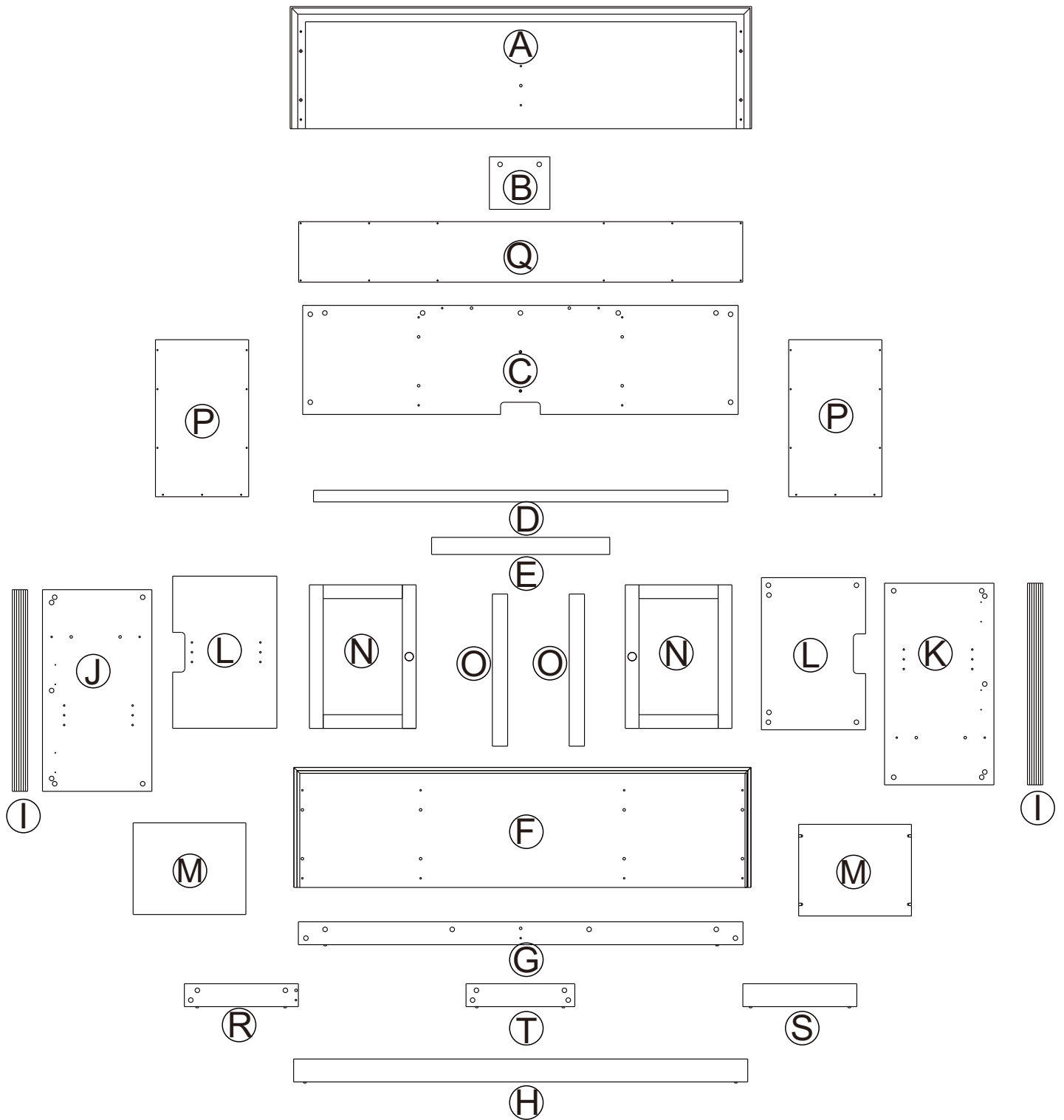


This cam lock fastening system will be used throughout the assembly process.

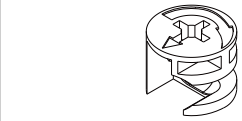
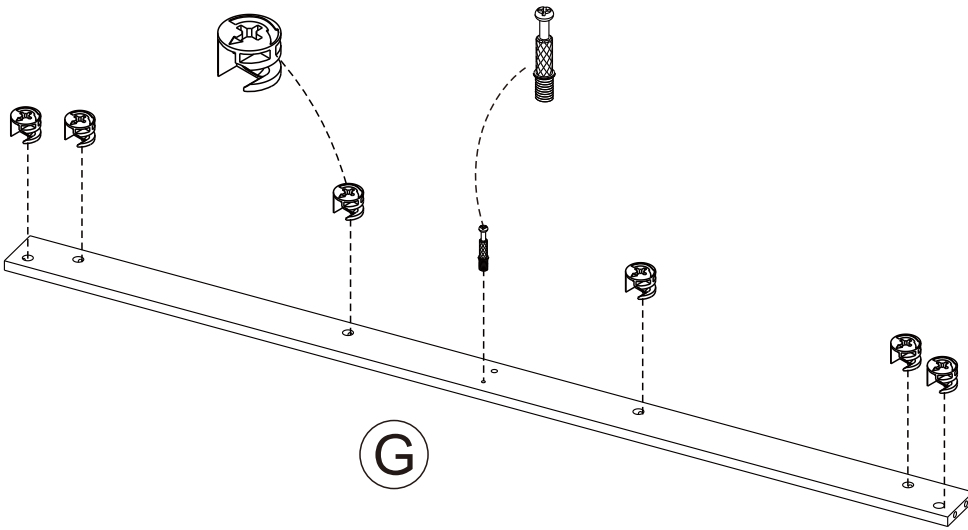
ASSEMBLY INSTRUCTIONS

STEP 1

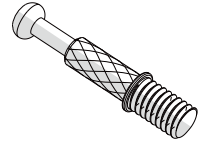
Take out all the parts, as shown on the floor. Please pay attention to protect the board surface.



STEP 2

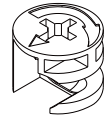
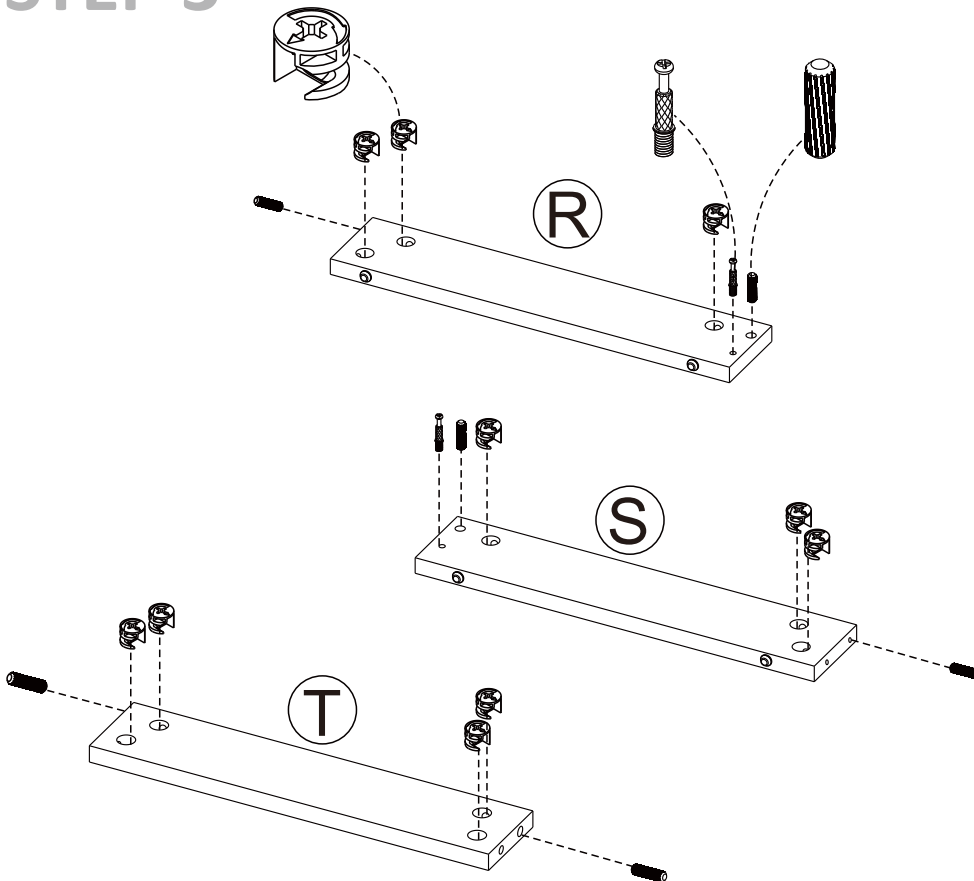


cam lock X6

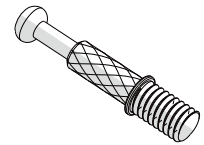


cam bolt X1

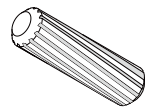
STEP 3



cam lock X10

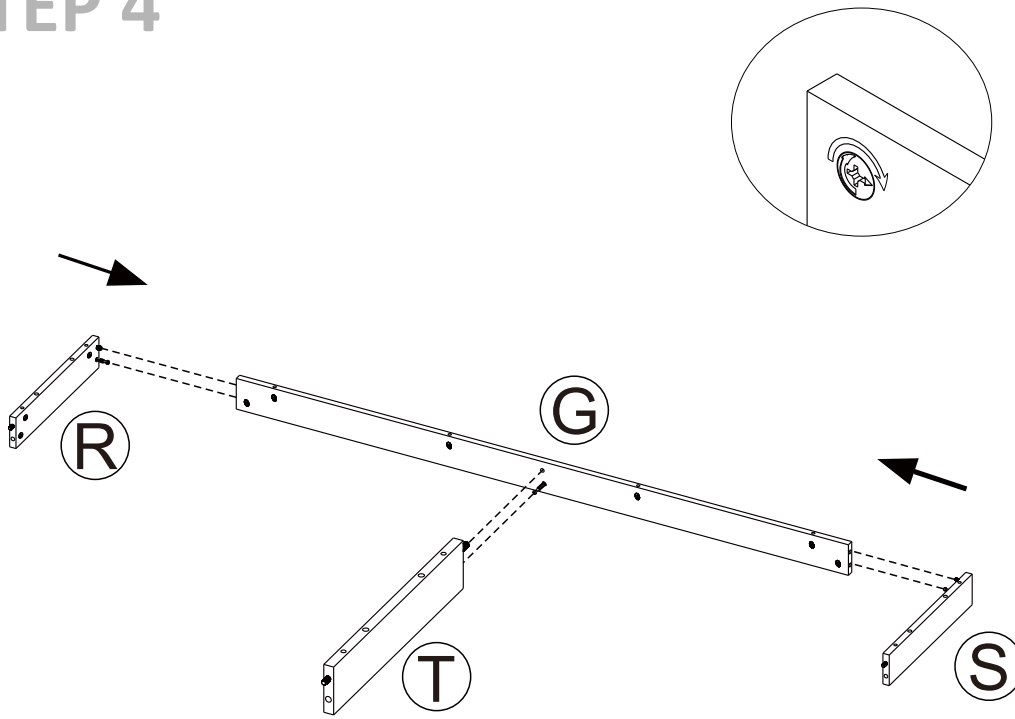


cam bolt X2

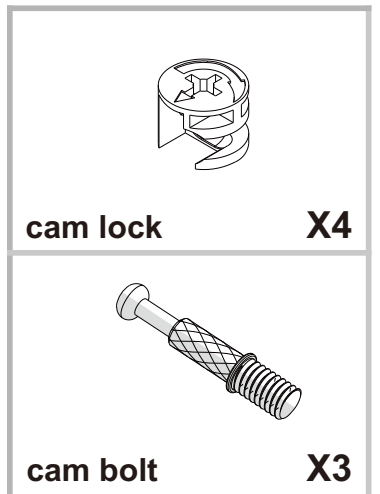
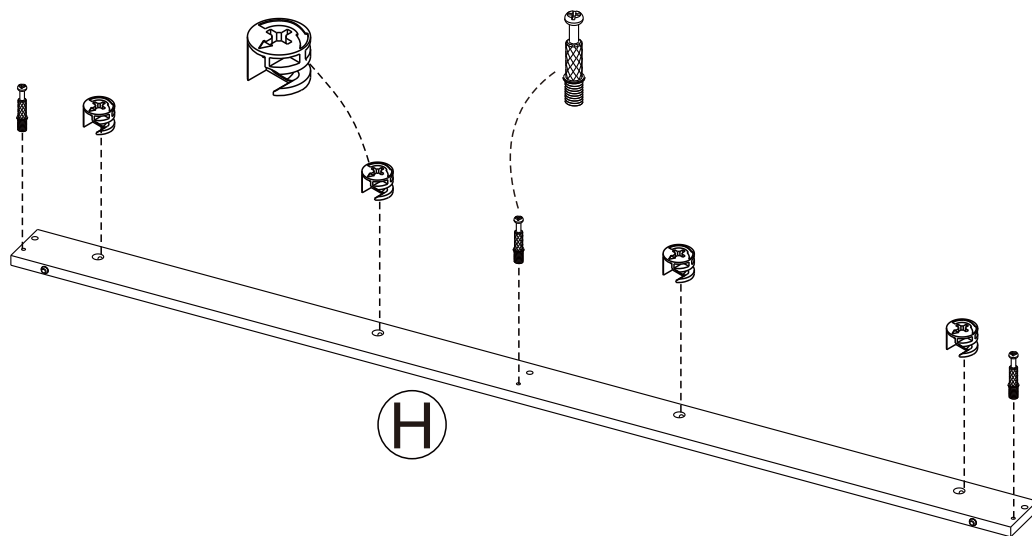


wood dowel X6

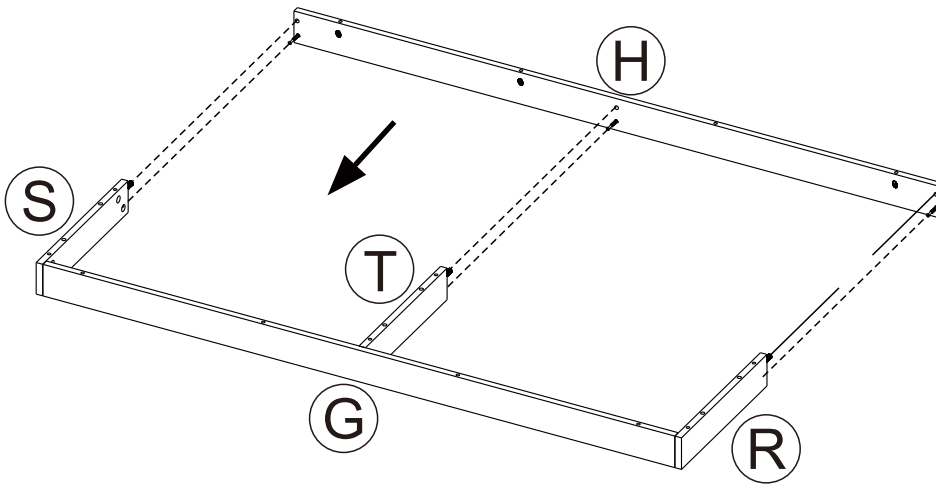
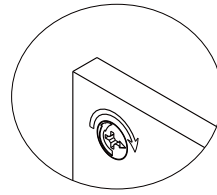
STEP 4



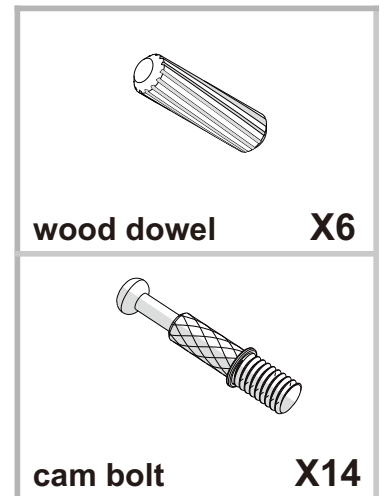
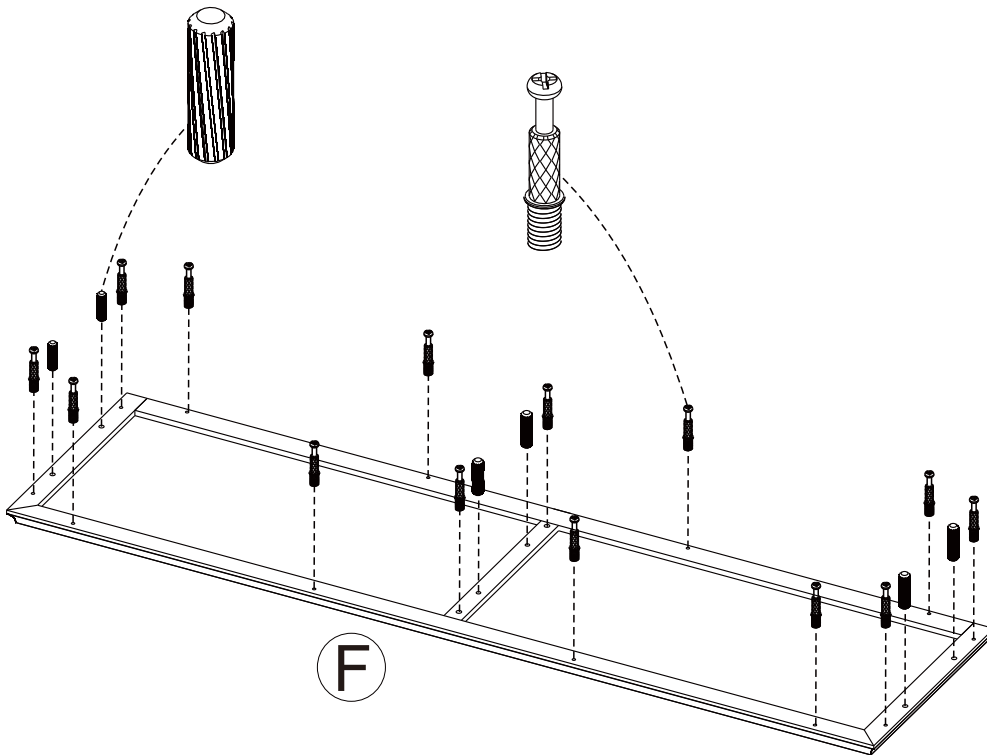
STEP 5



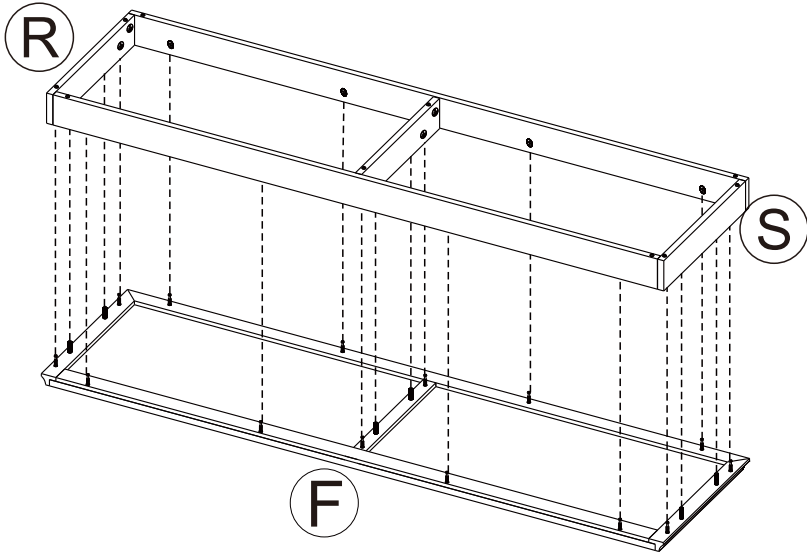
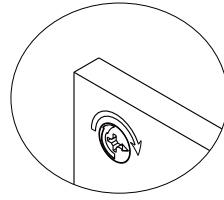
STEP 6



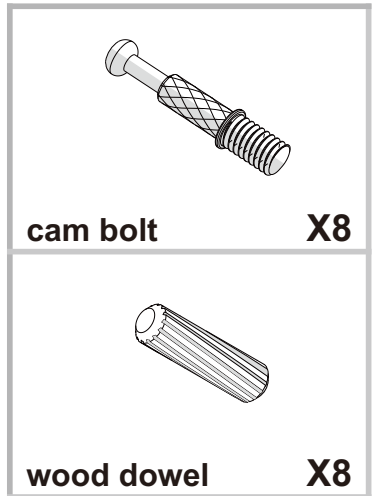
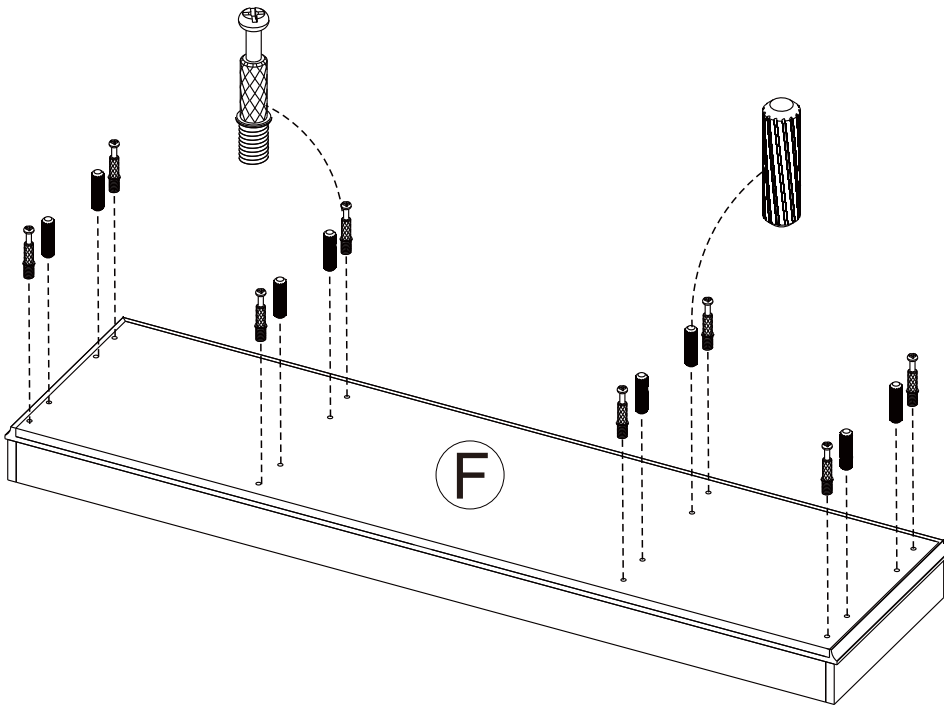
STEP 7



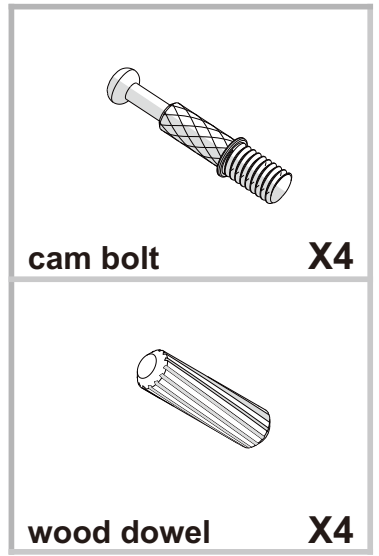
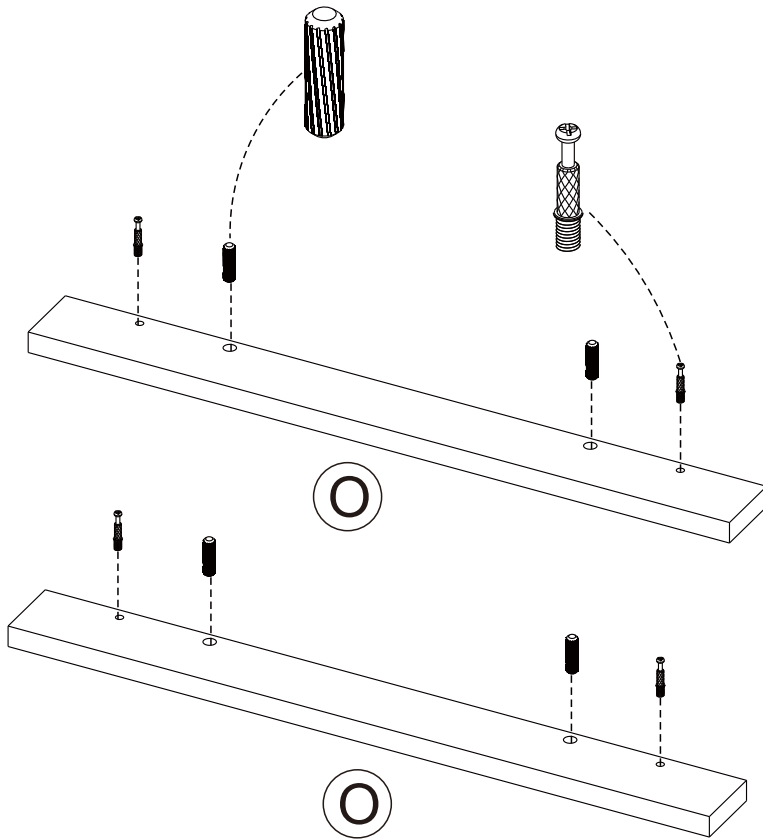
STEP 8



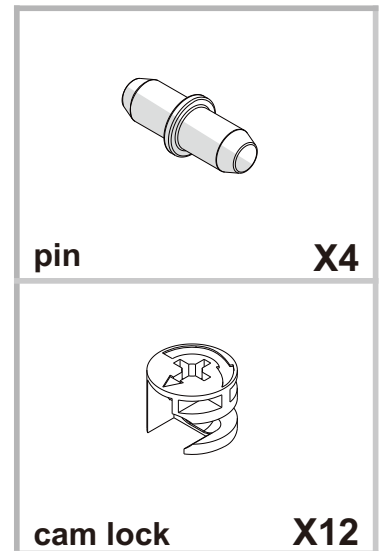
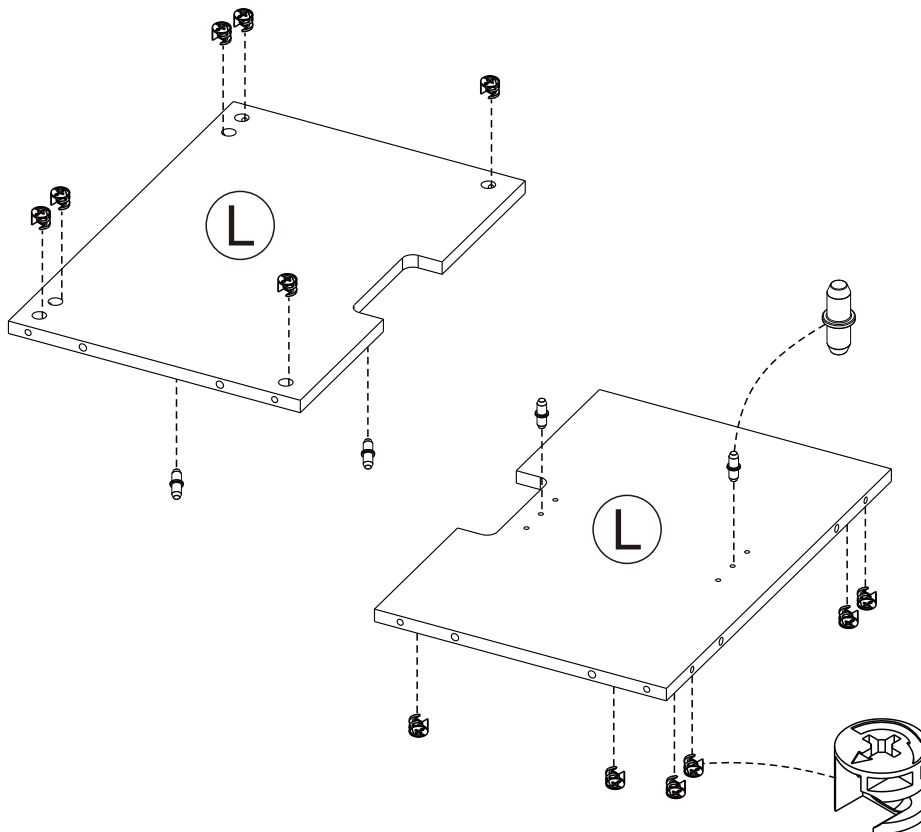
STEP 9



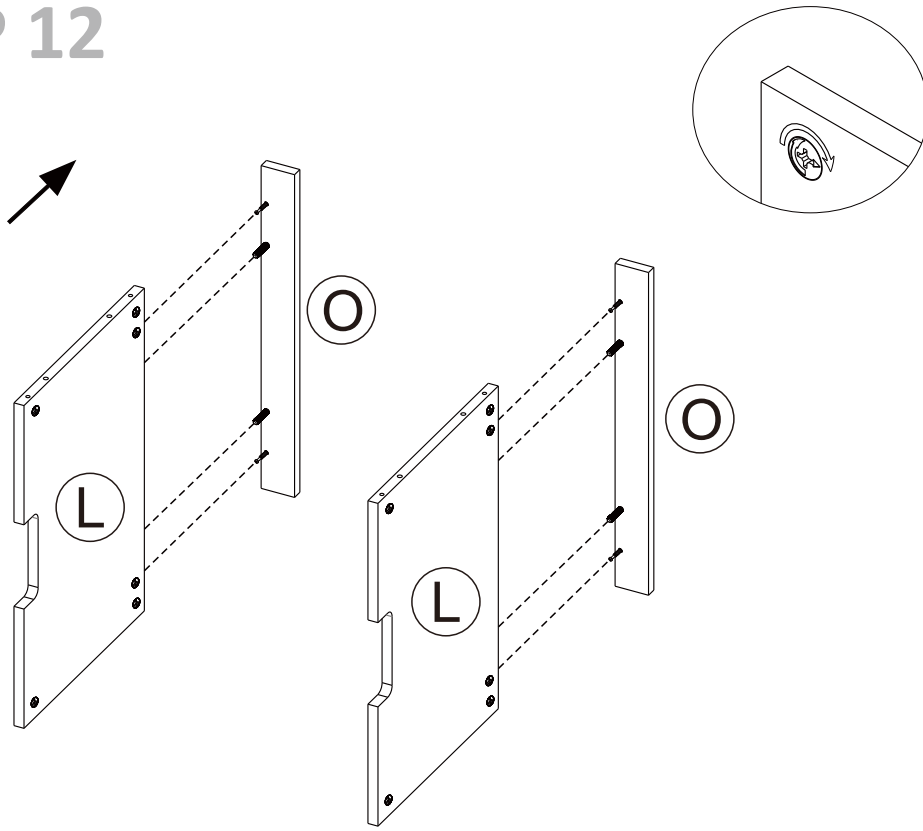
STEP 10



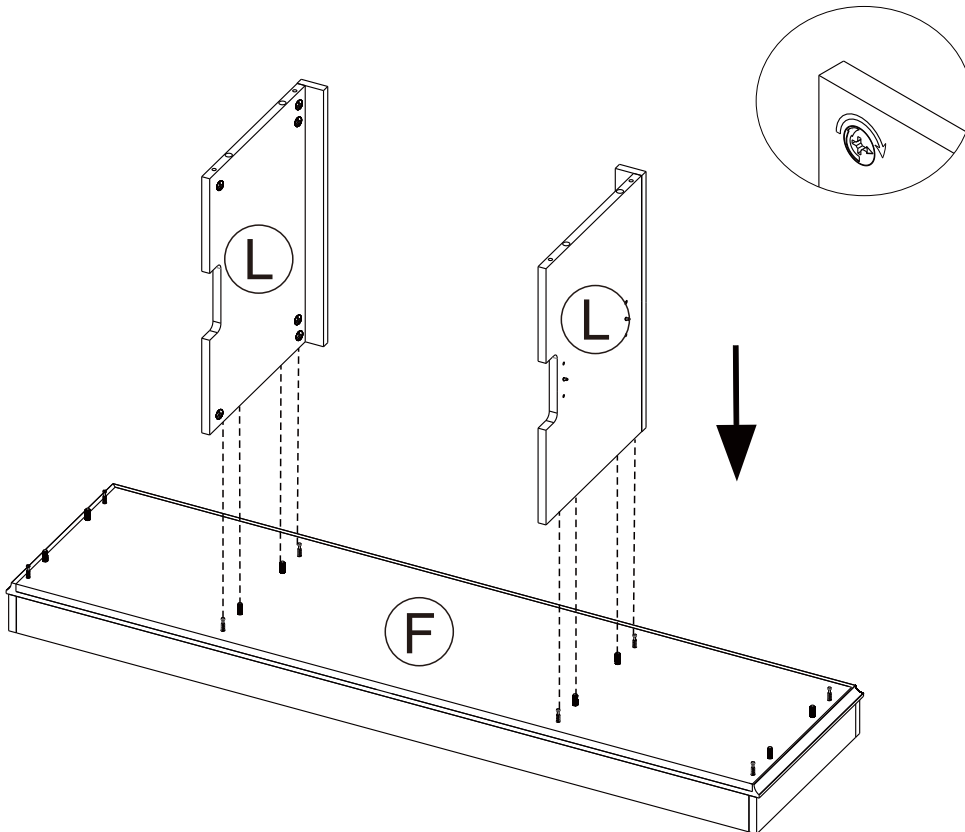
STEP 11



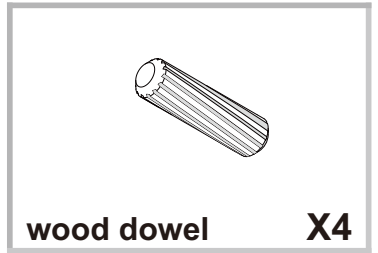
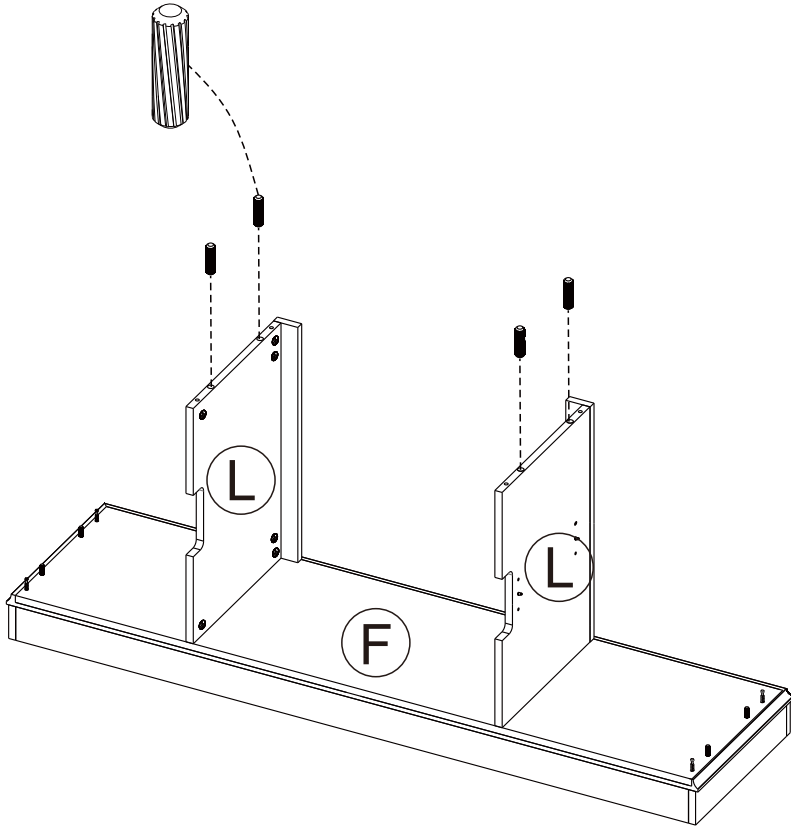
STEP 12



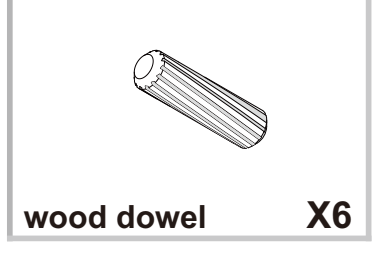
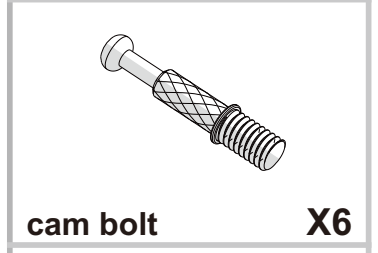
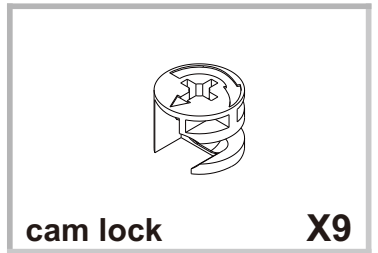
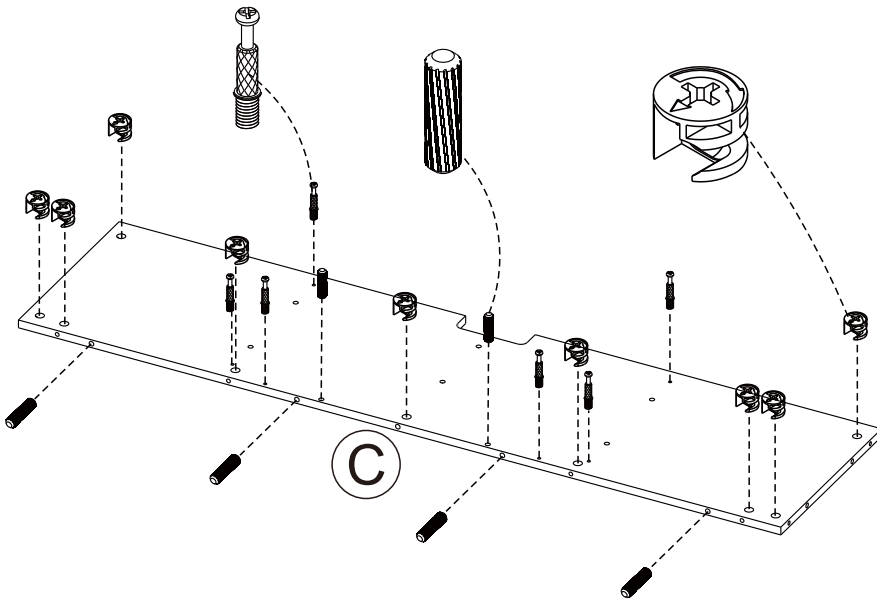
STEP 13



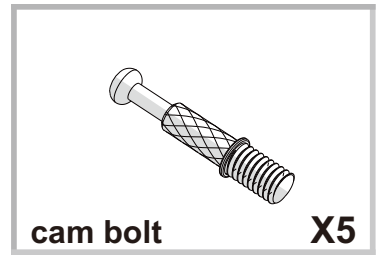
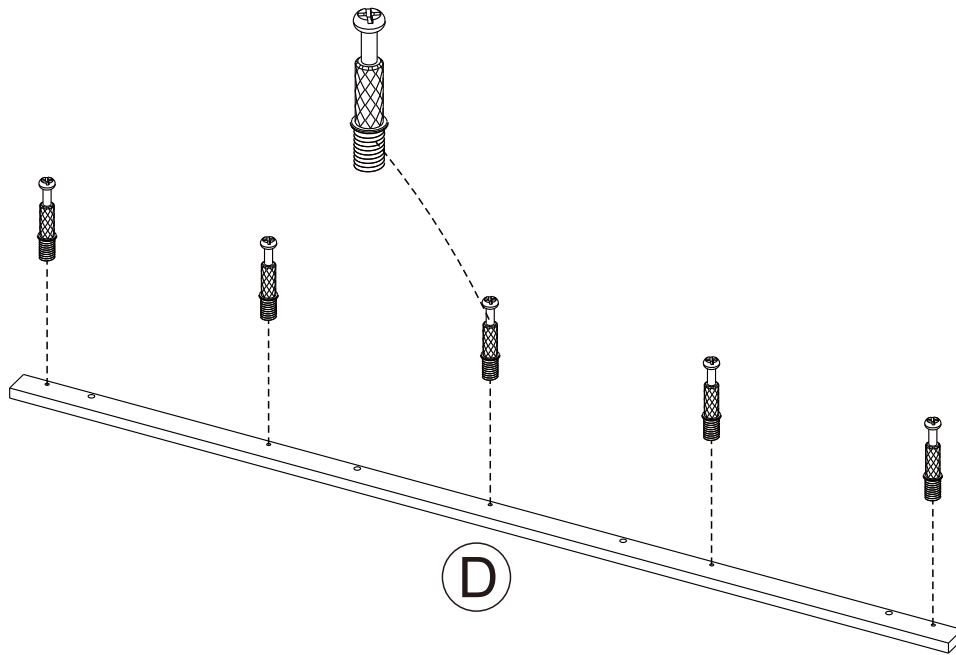
STEP 14



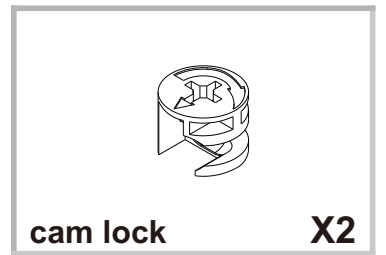
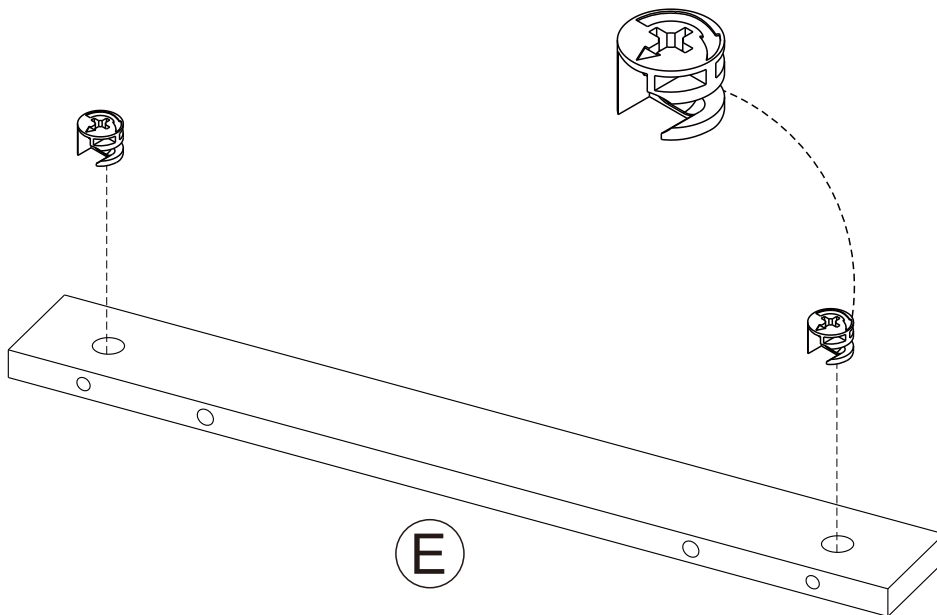
STEP 15



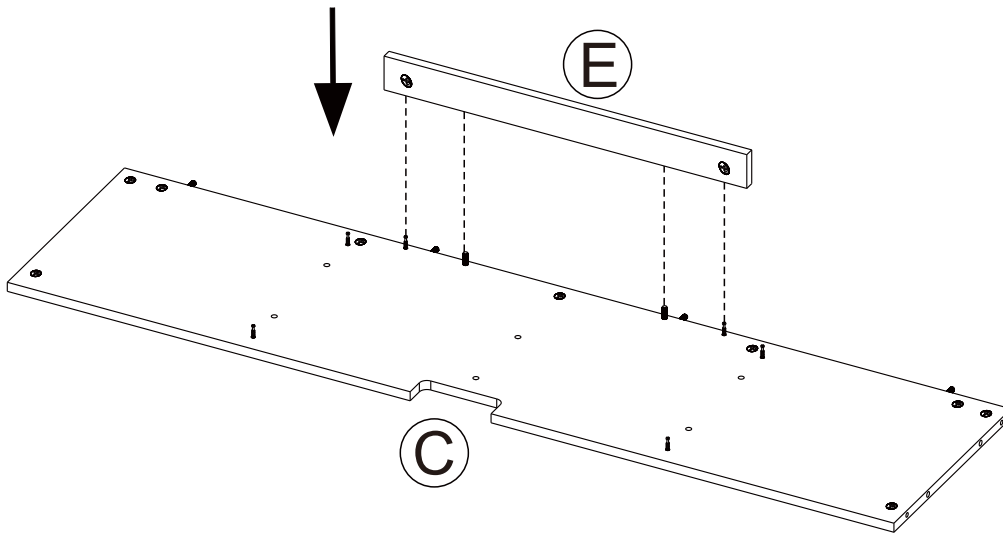
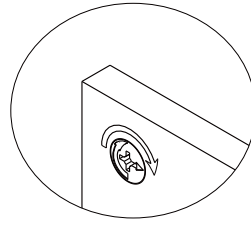
STEP 16



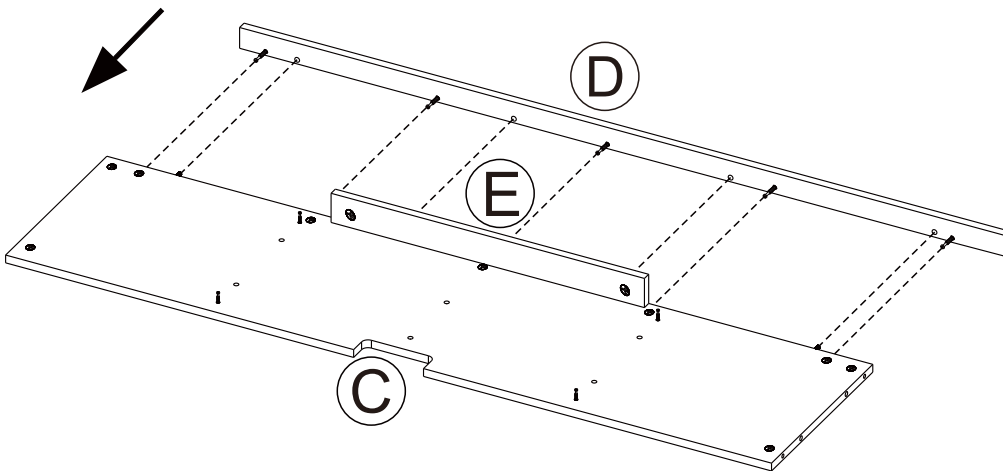
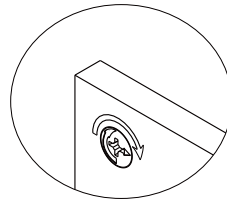
STEP 17



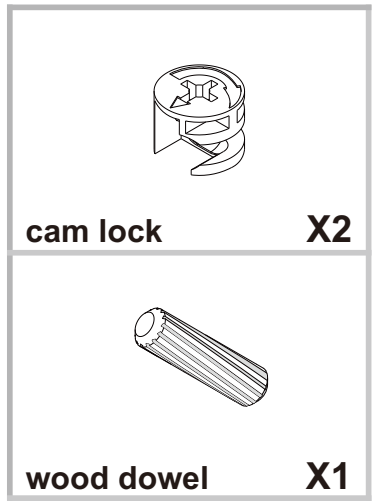
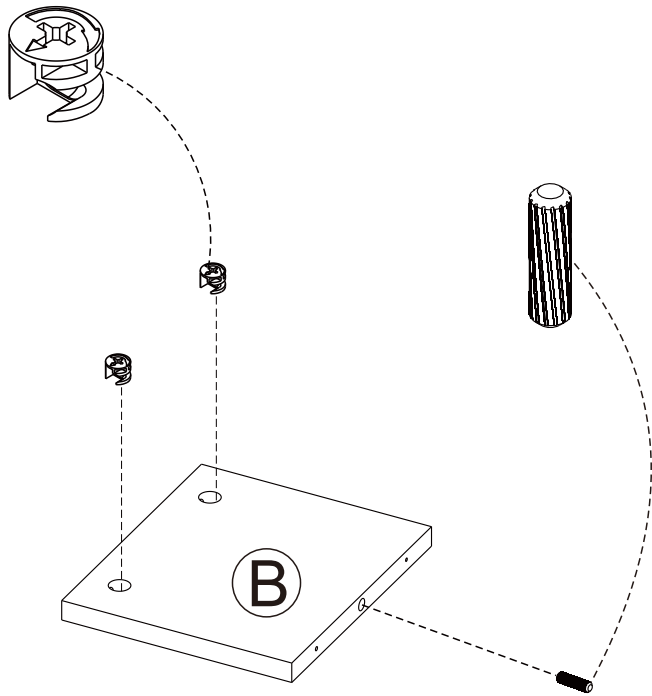
STEP 18



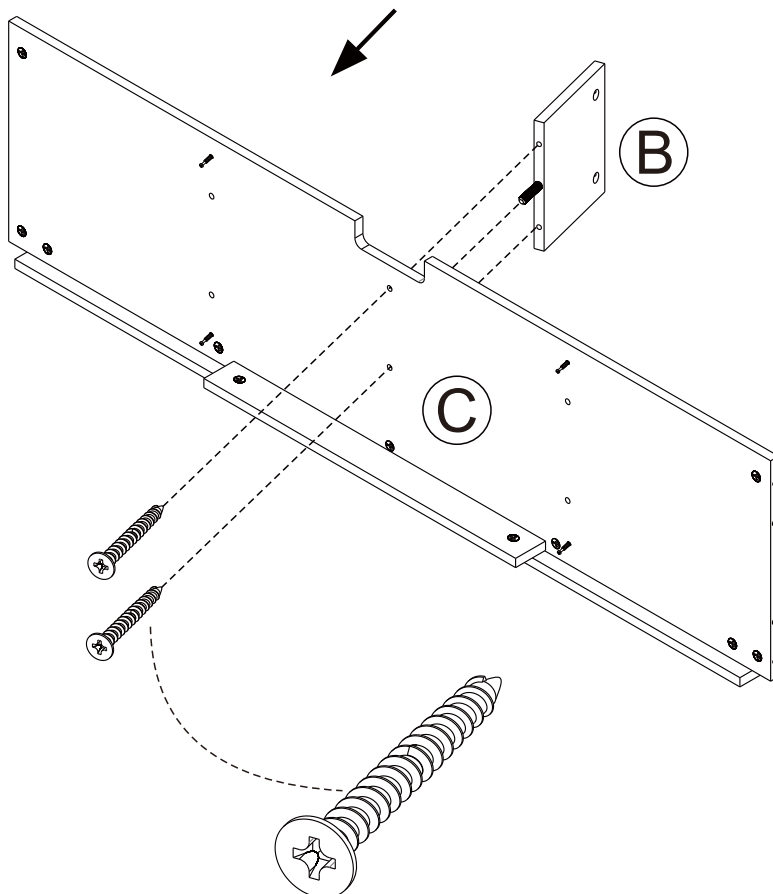
STEP 19



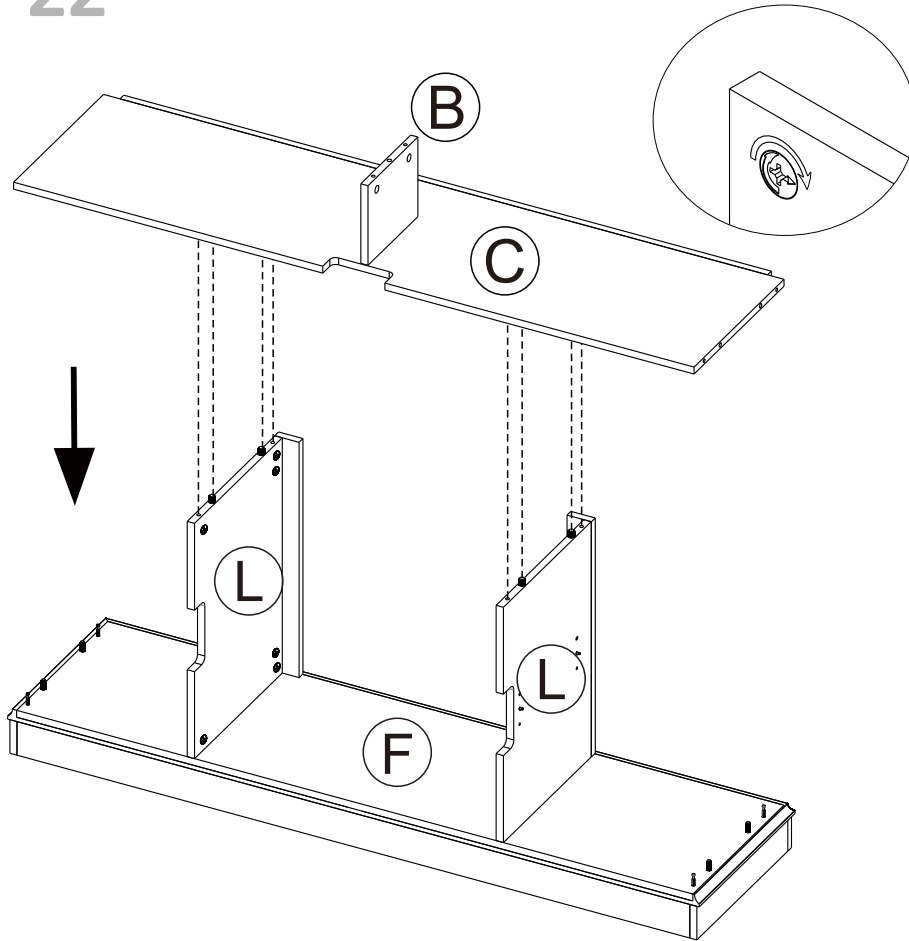
STEP 20



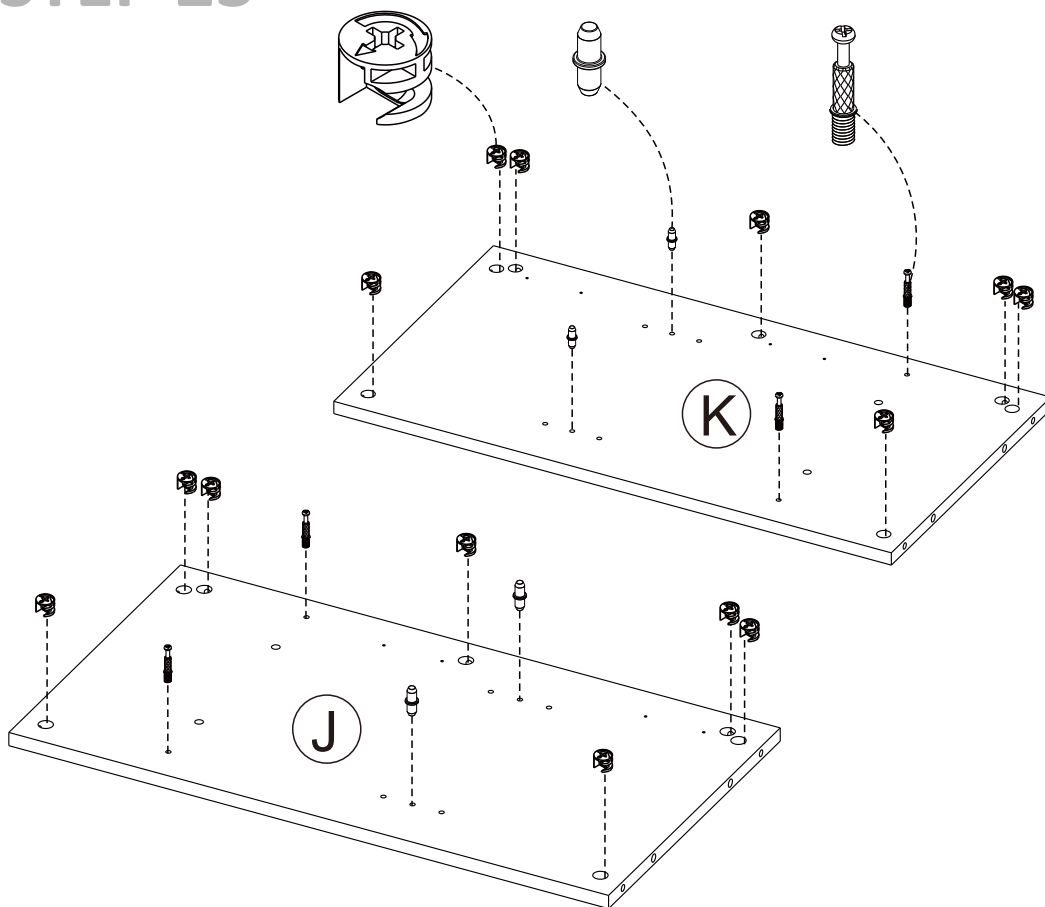
STEP 21


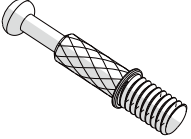
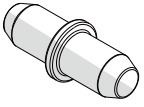


STEP 22

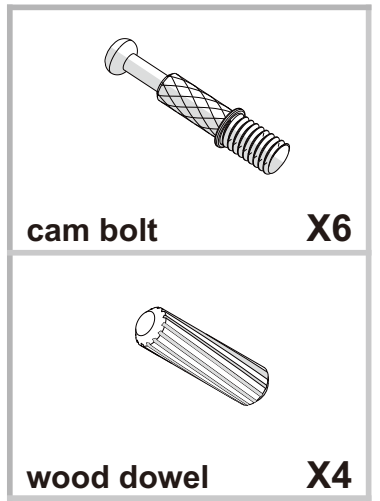
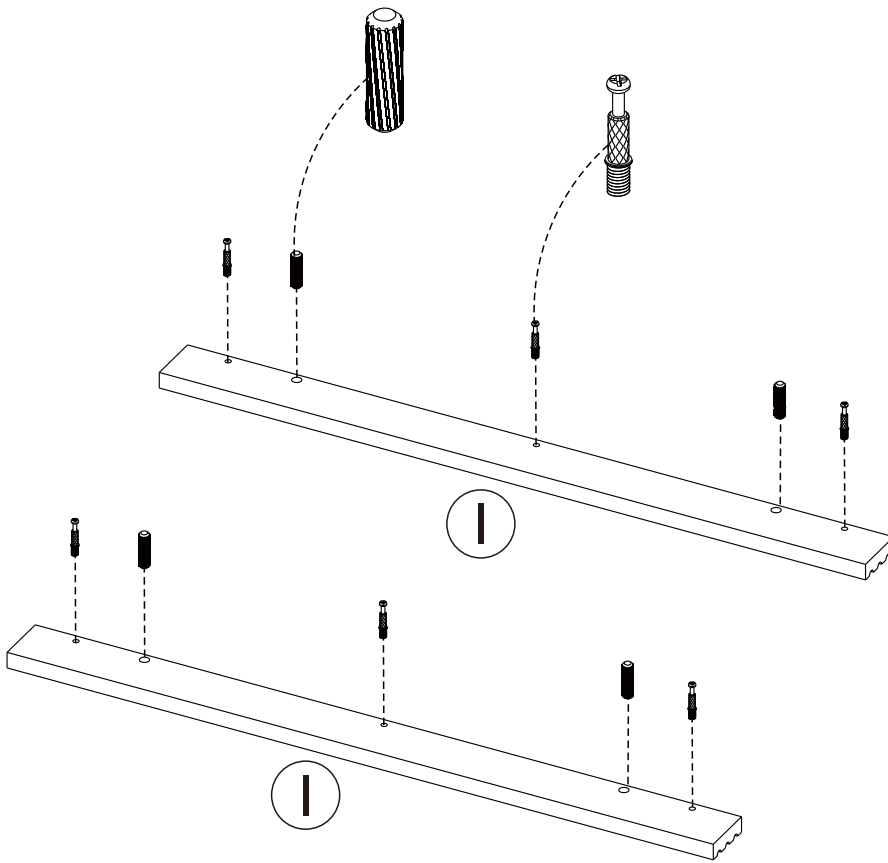


STEP 23

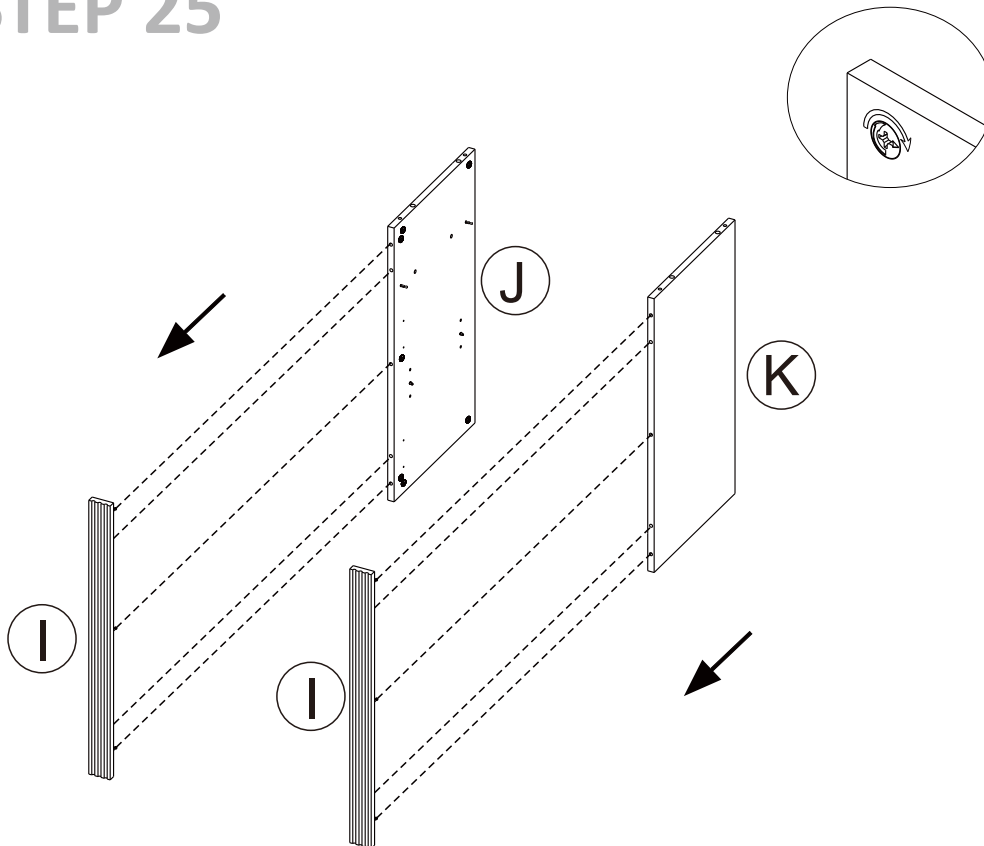


	cam lock	X14
	cam bolt	X4
	pin	X4

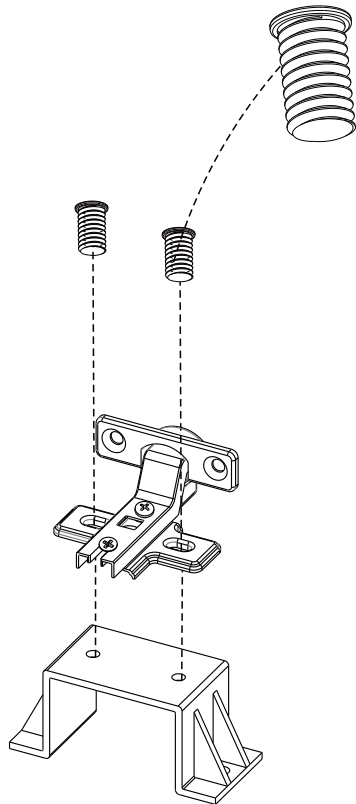
STEP 24


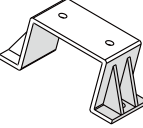
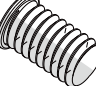


STEP 25



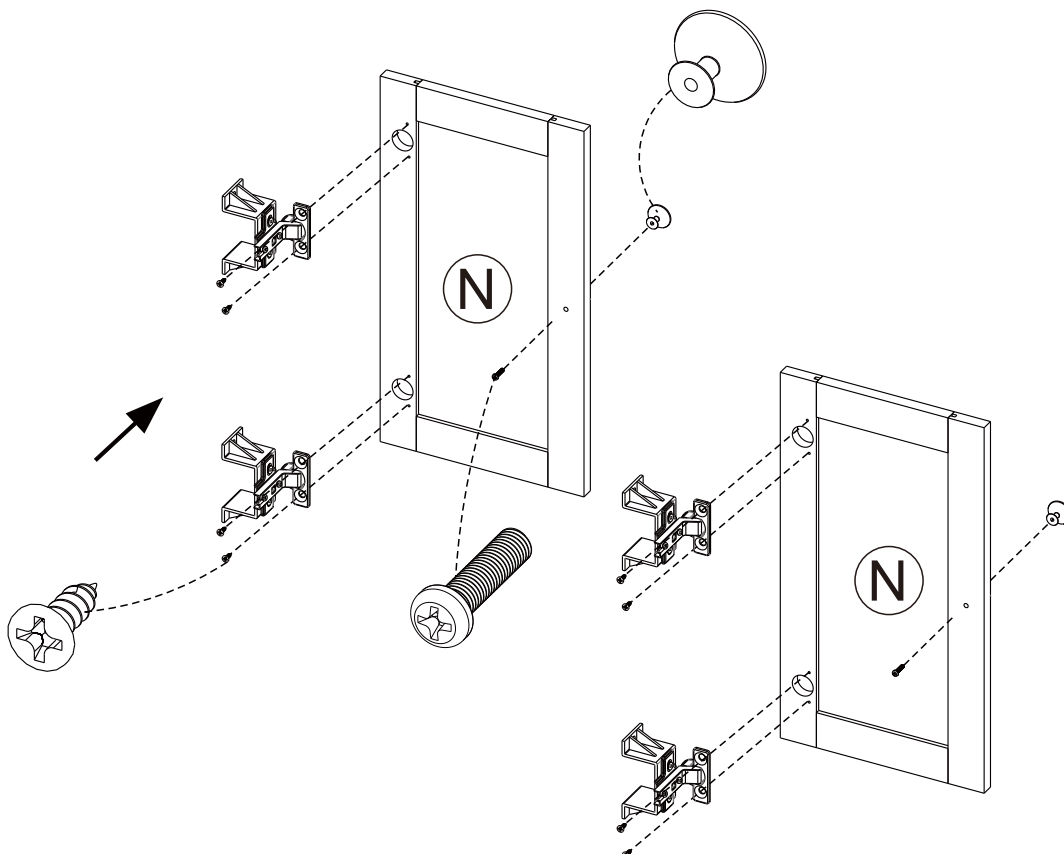
STEP 26

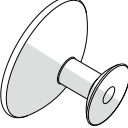
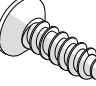



	hinge	X4
	fixing bracket	X4
	screw M5x10	X8

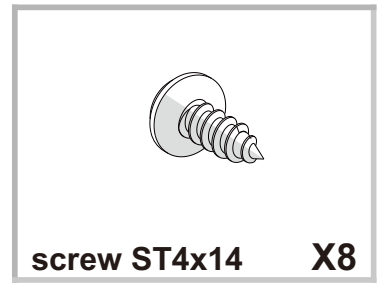
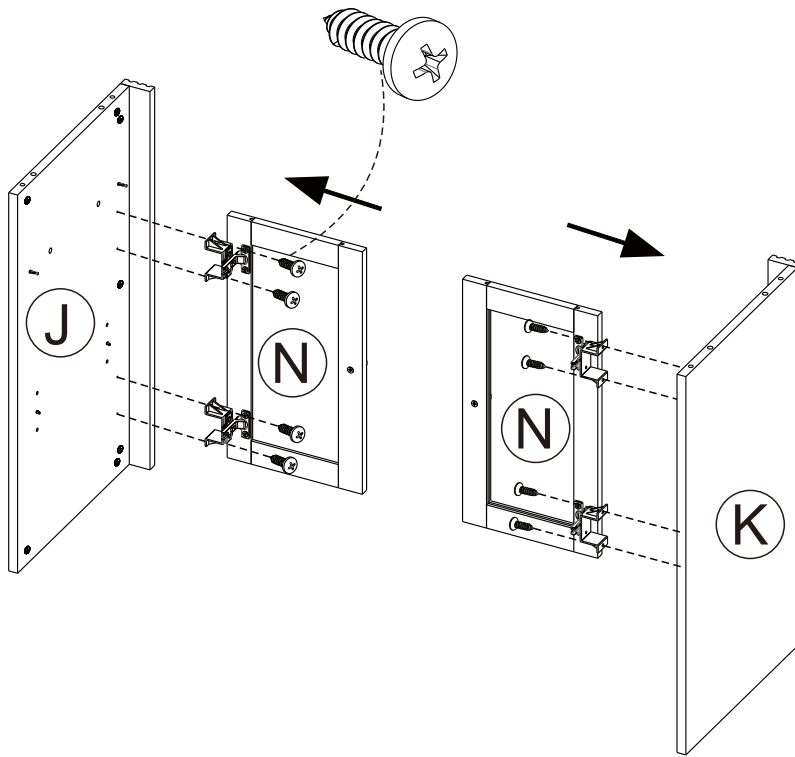
Fix all four hinges to the fixing brackets in this step.

STEP 27

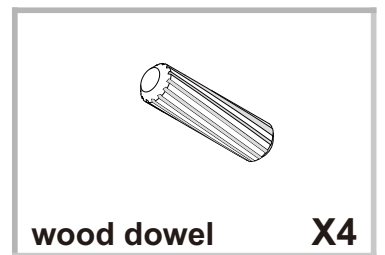
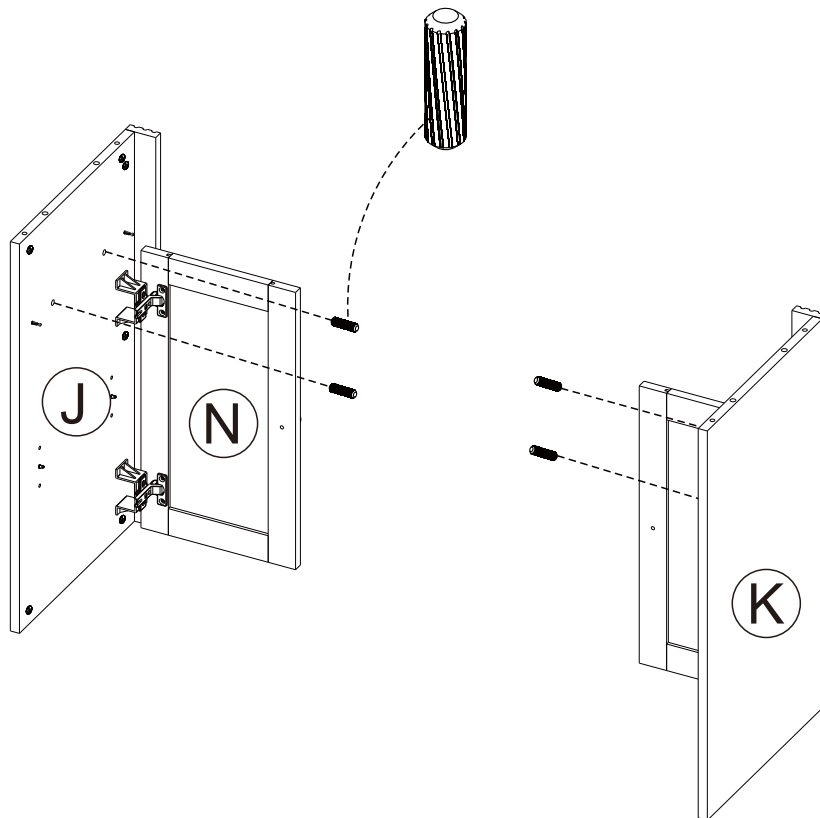


	handle	X2
	screw ST4x14	X8
	screw M4x18	X2

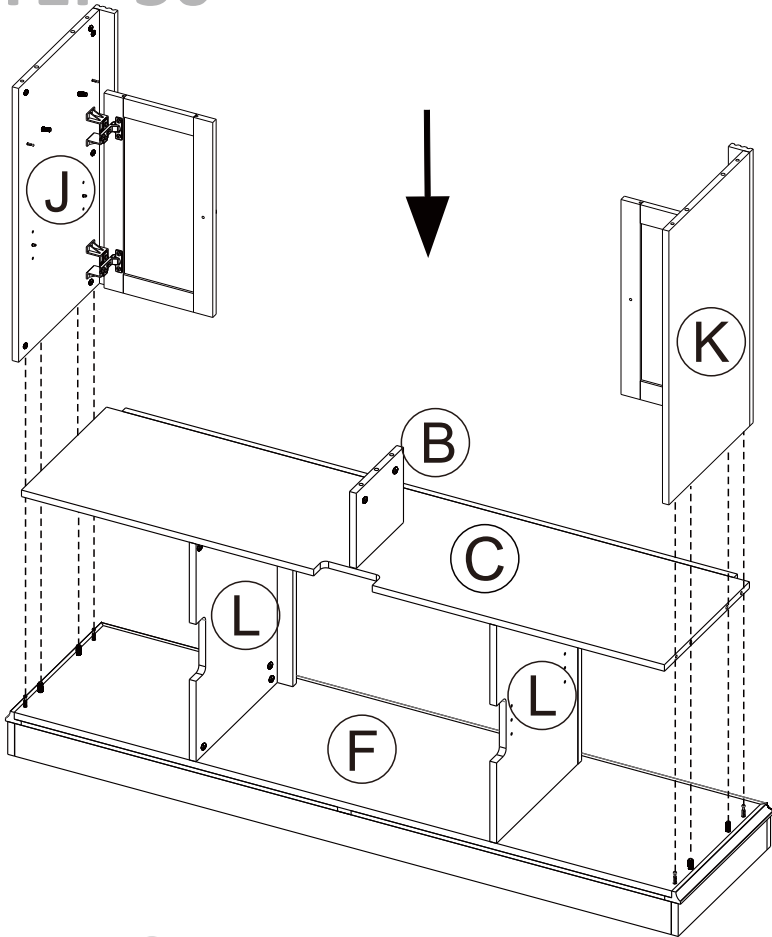
STEP 28



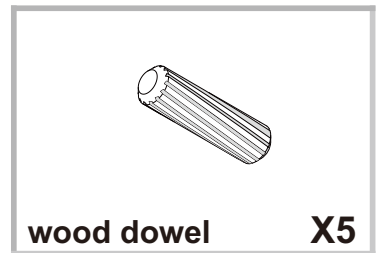
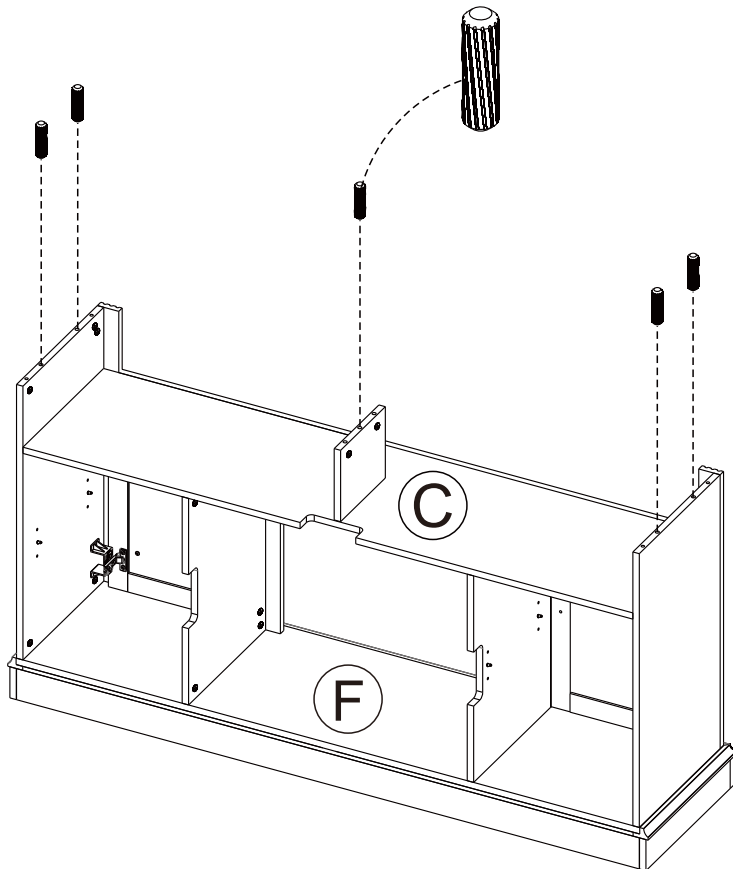
STEP 29



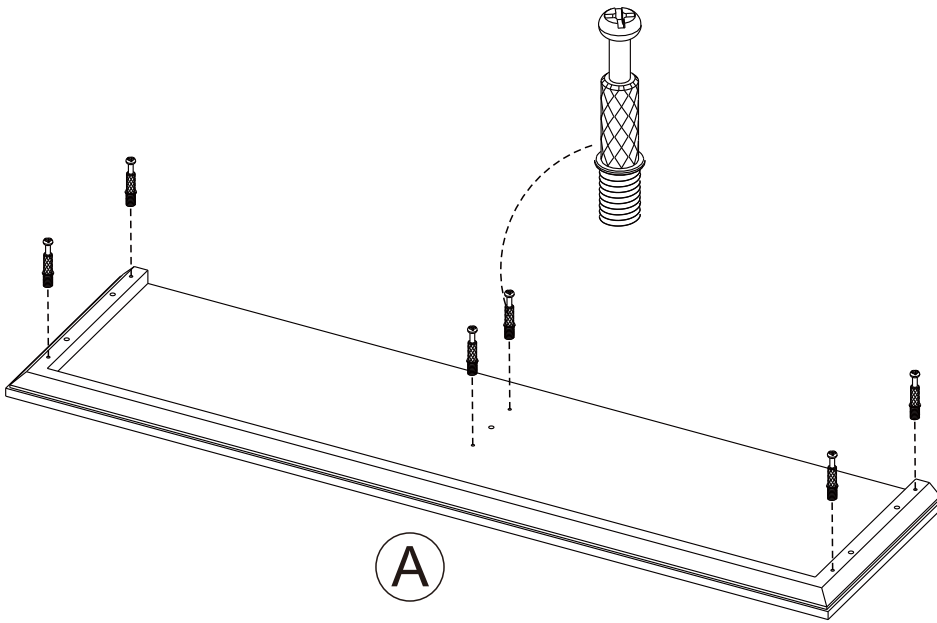
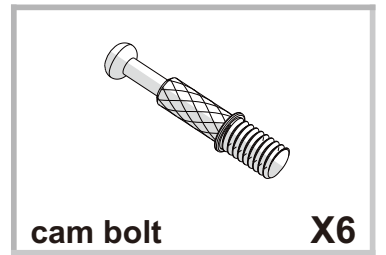
STEP 30



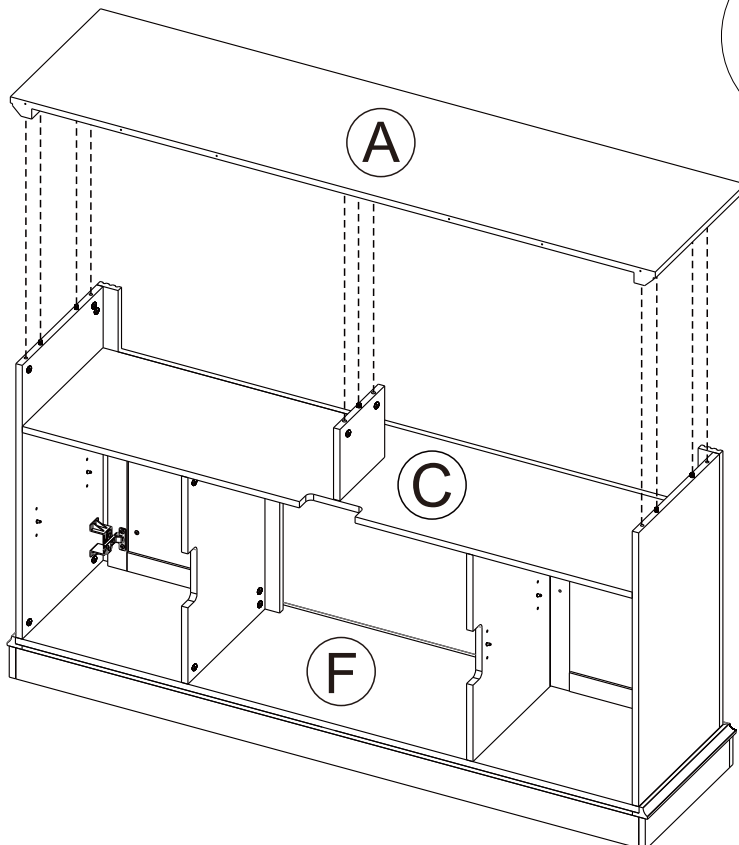
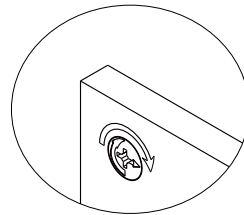
STEP 31



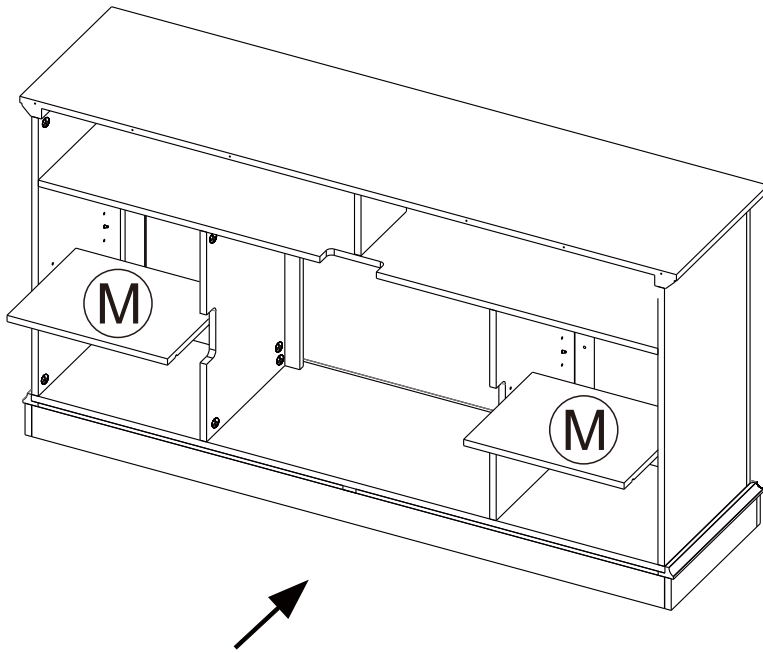
STEP 32



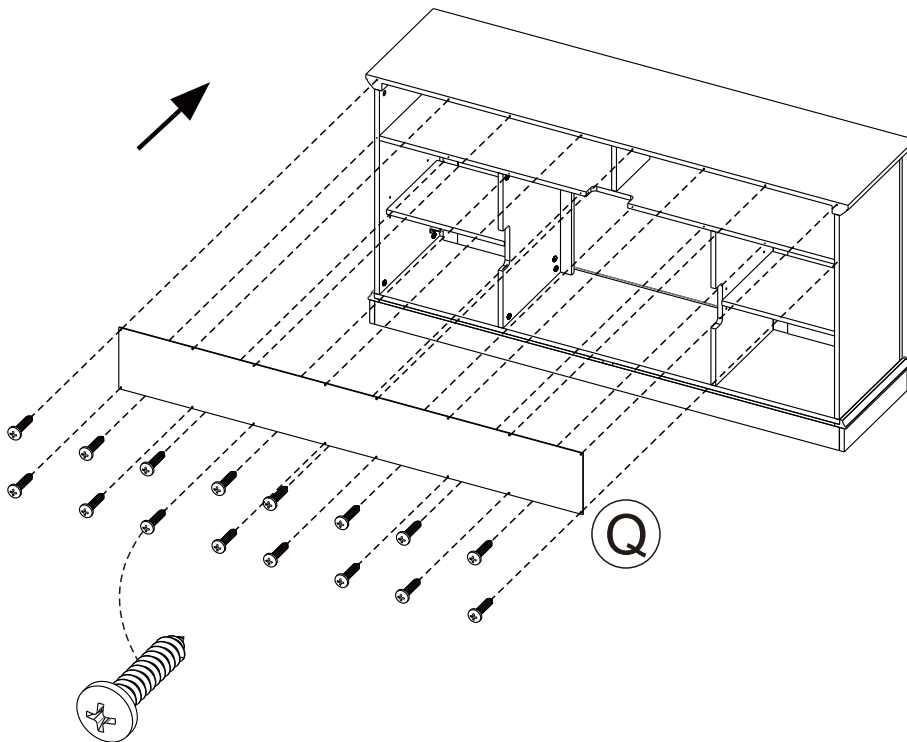
STEP 33



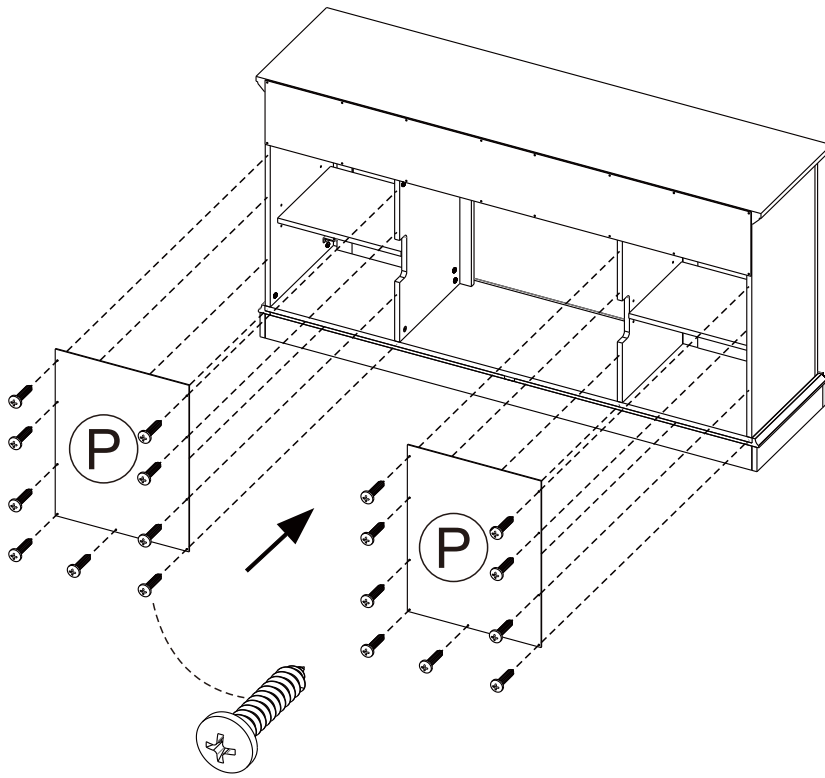
STEP 34



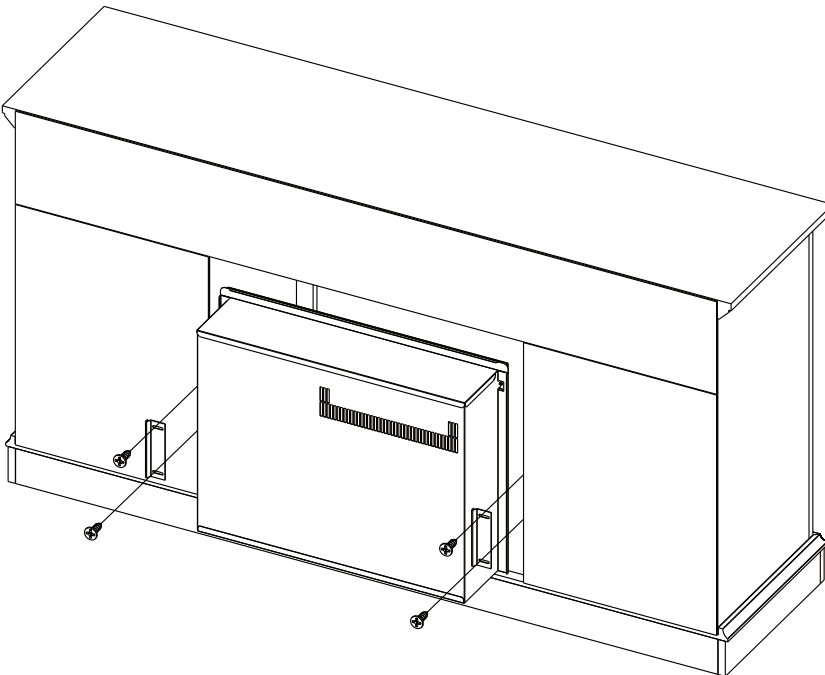
STEP 35



STEP 36

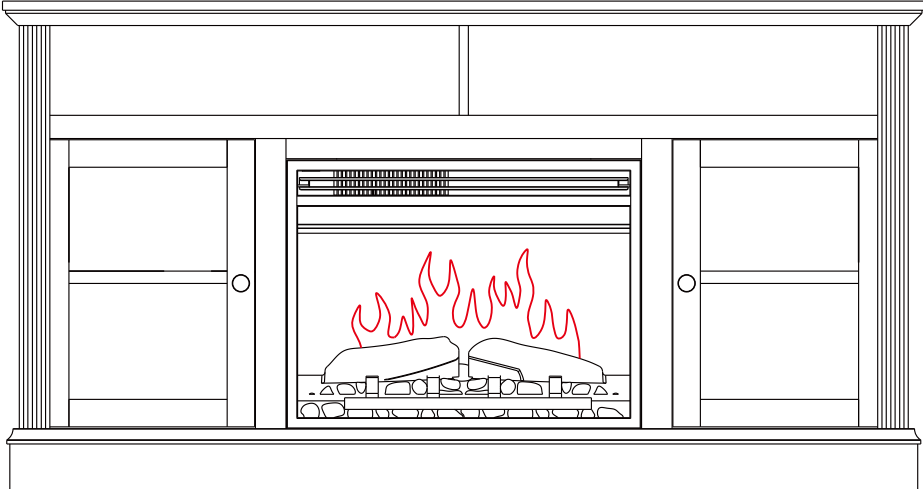


STEP 37



Use 4pcs ST3.5*12 screws

STEP 38



Distributor: Moddelo Ltd
Deansfield House
98 Lancaster Road
Newcastle under Lyme
Staffordshire, ST5 1DS
England

Tel: 01785 719005

Email: customerservice@moddelo.co.uk
