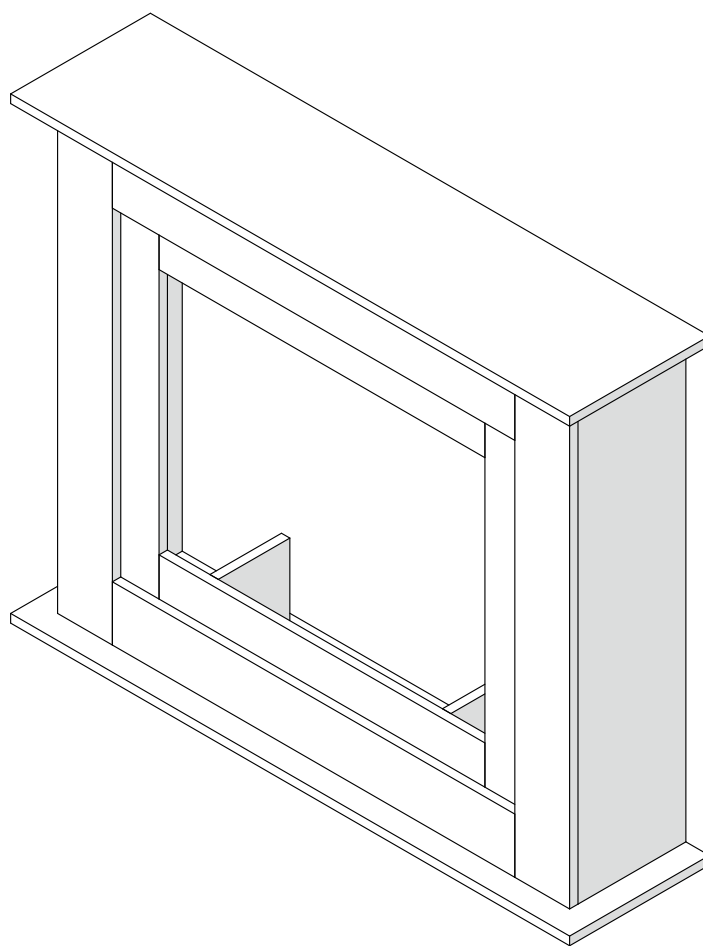


FIREPLACE MANTEL

ASSEMBLY INSTRUCTIONS

MT447A

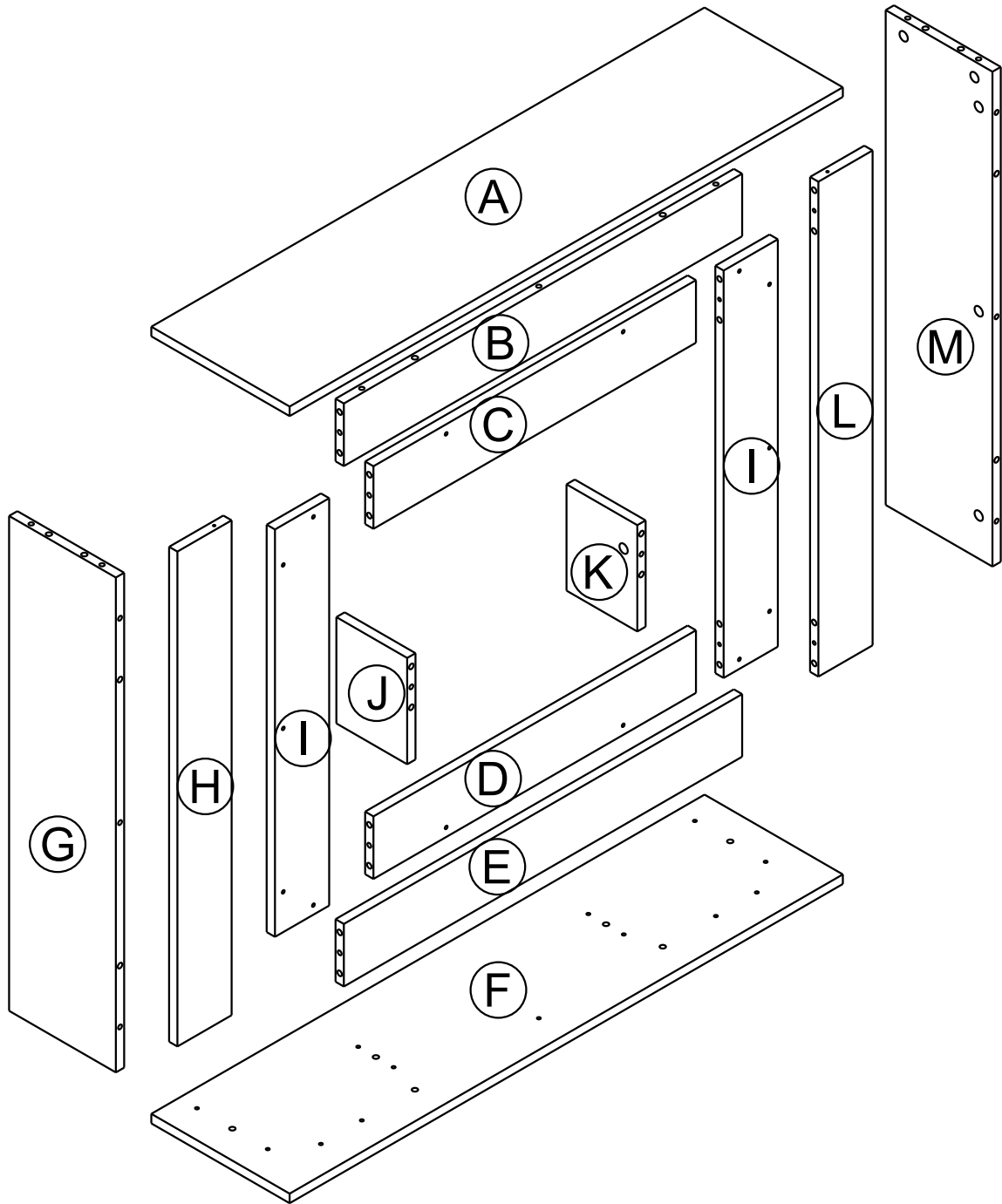


If you have a problem with this product, **DO NOT RETURN.**

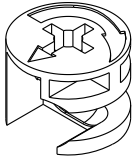
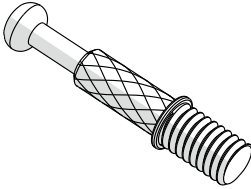
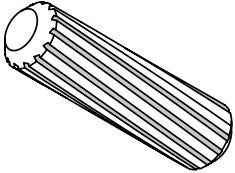
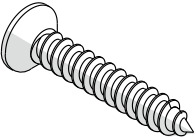
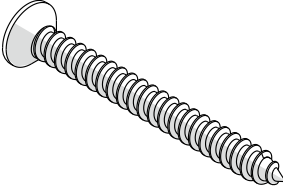

Call our customer service ,Tel: 01785 719005, or

E-mail: customerservice@moddelo.co.uk

PARTS LIST

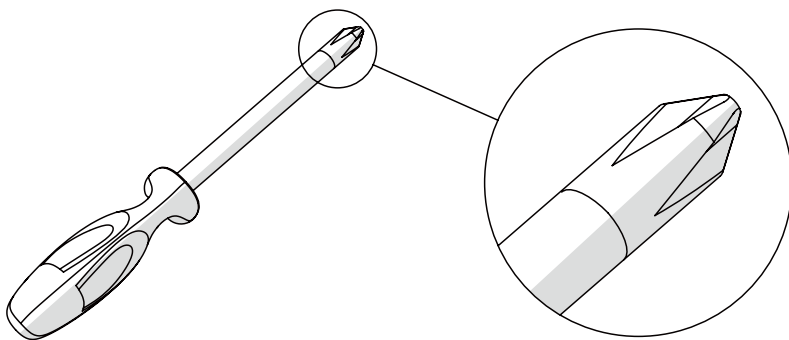


ACCESSORIES

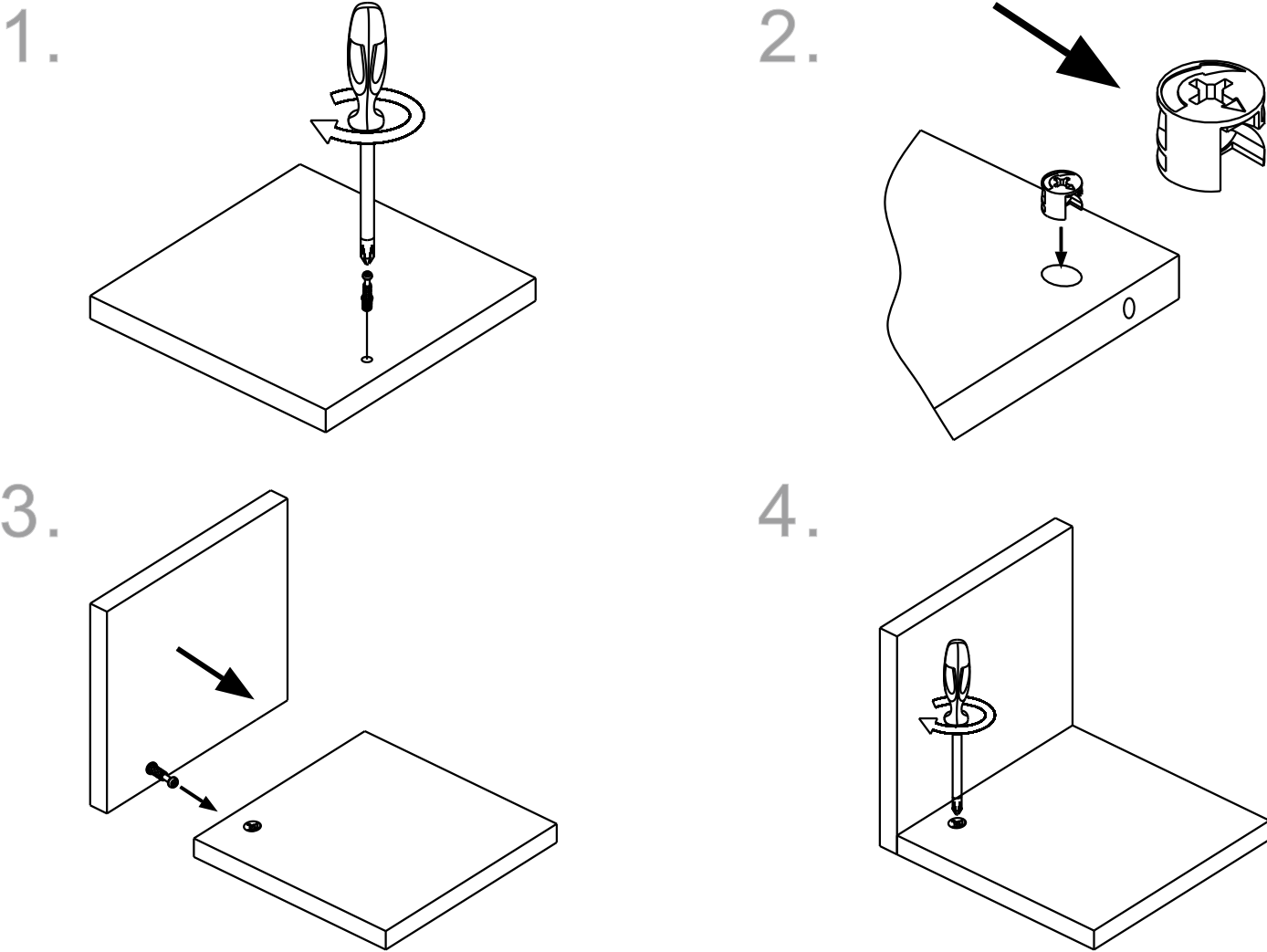
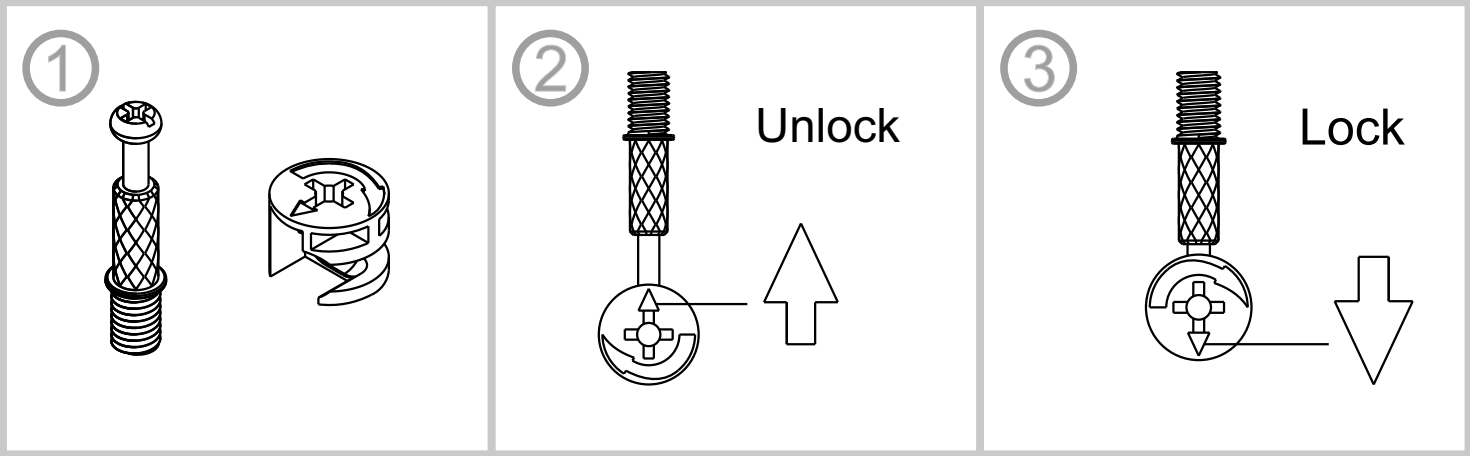
 cam lock x25+1	 cam bolt x25+1	 wood dowel x36+1
 screw ST4x25 x14+1	 screw ST4x40 x13+1	 pad x4+2

TOOLS REQUIRED

A screwdriver will be needed



CAM LOCK FASTENING SYSTEM

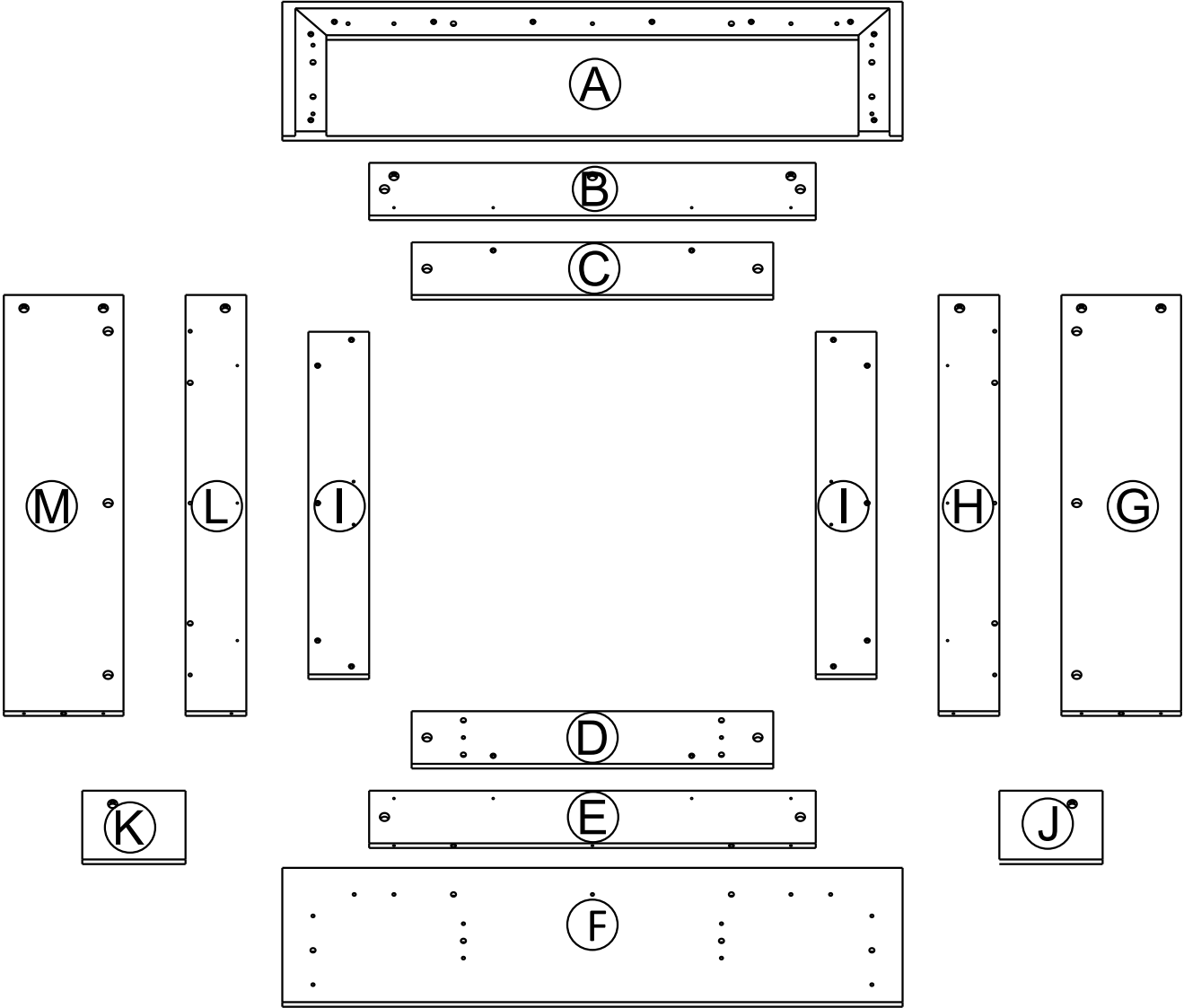


This cam lock fastening system will be used throughout the assembly process.

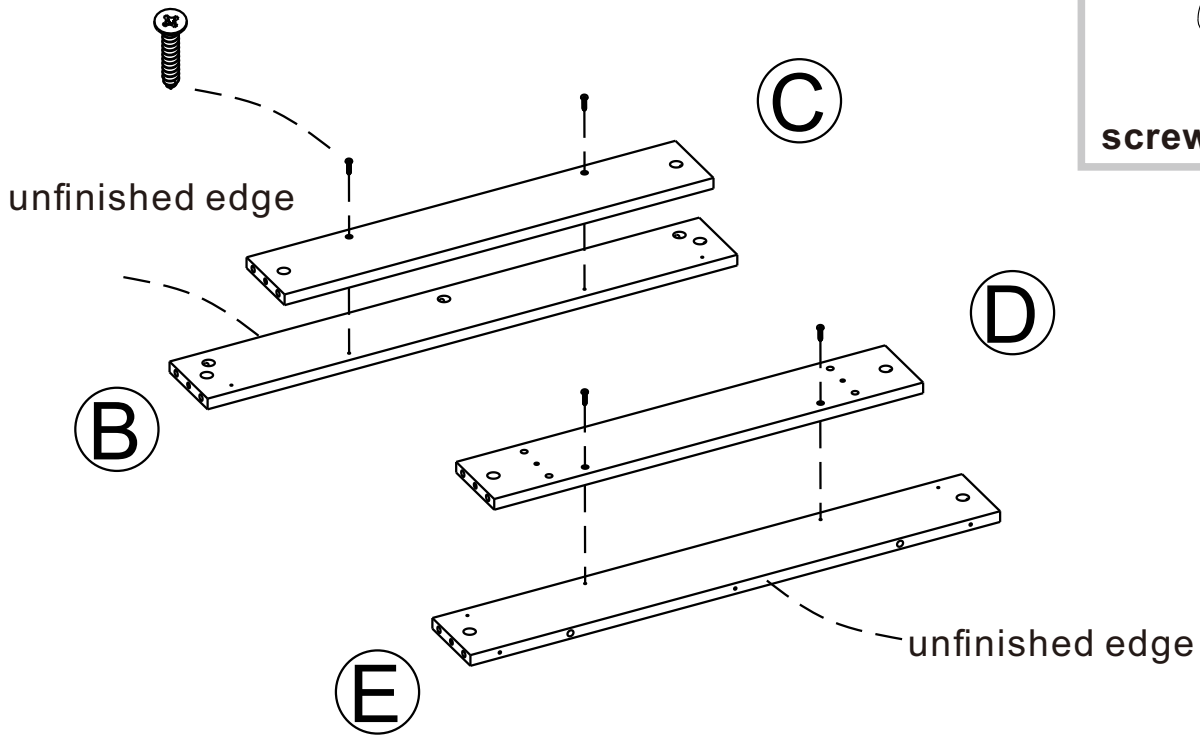
ASSEMBLY INSTRUCTIONS

STEP 1

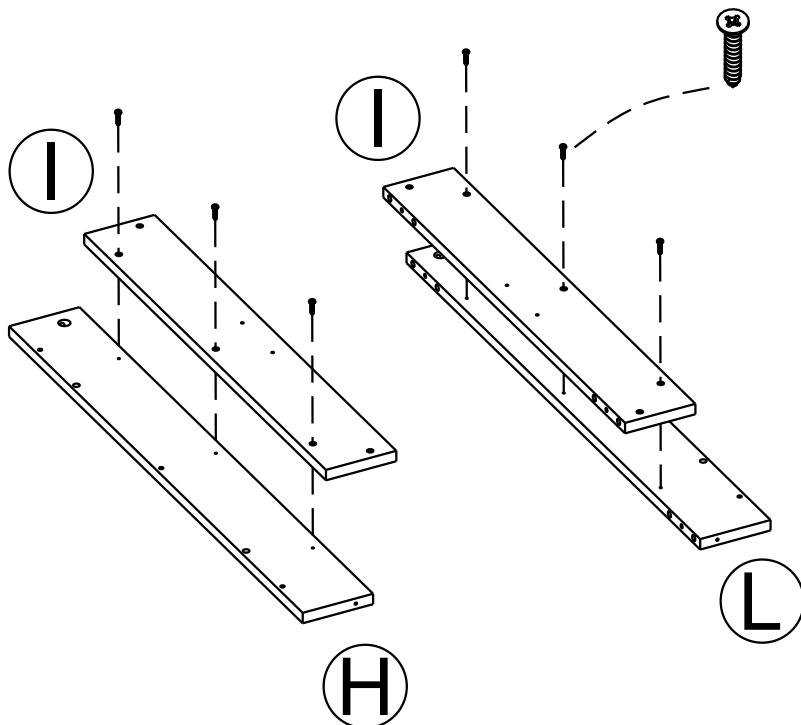
Take out all the parts, as shown on the floor. Please pay attention to protect the board surface.



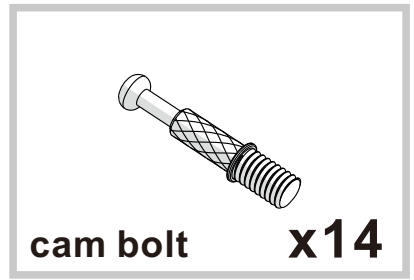
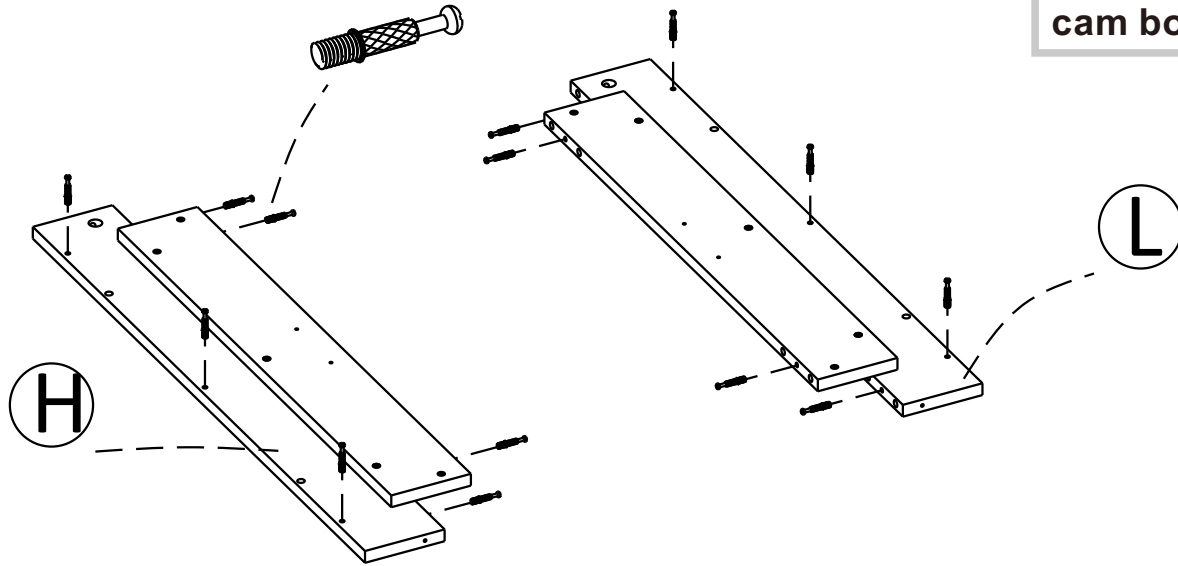
STEP 2



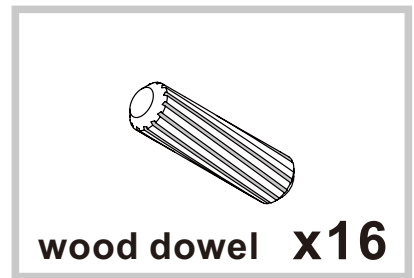
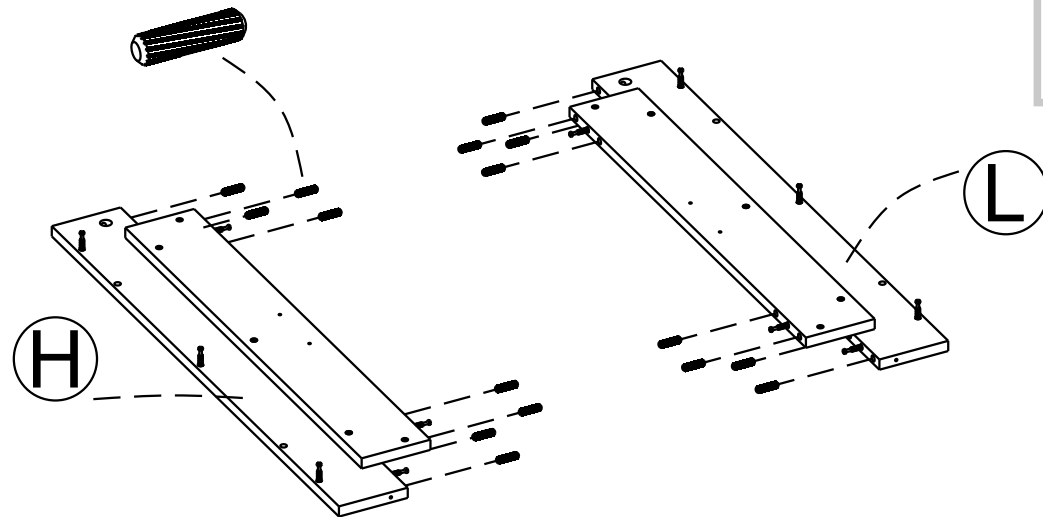
STEP 3



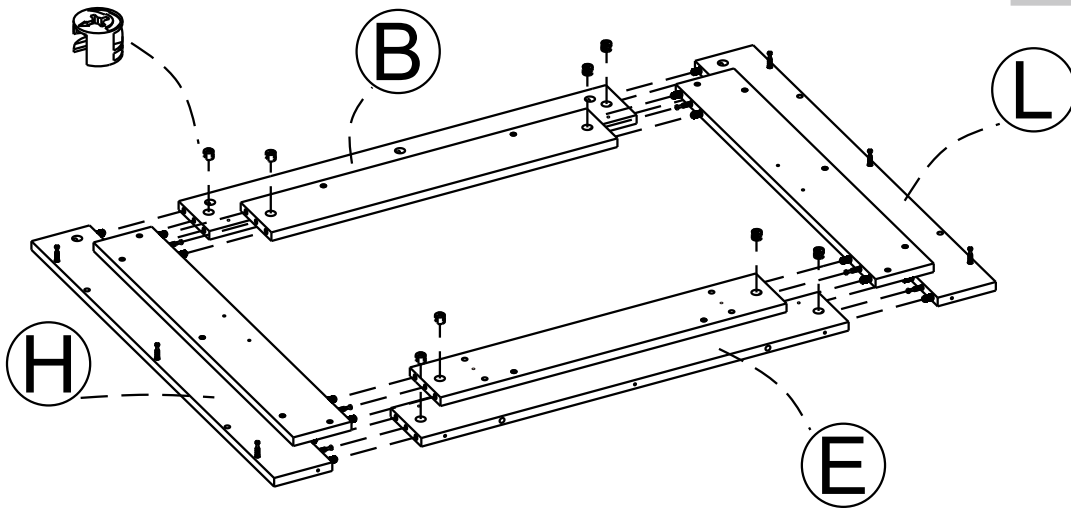
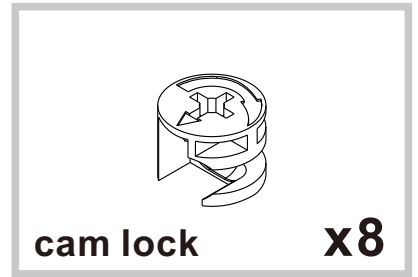
STEP 4



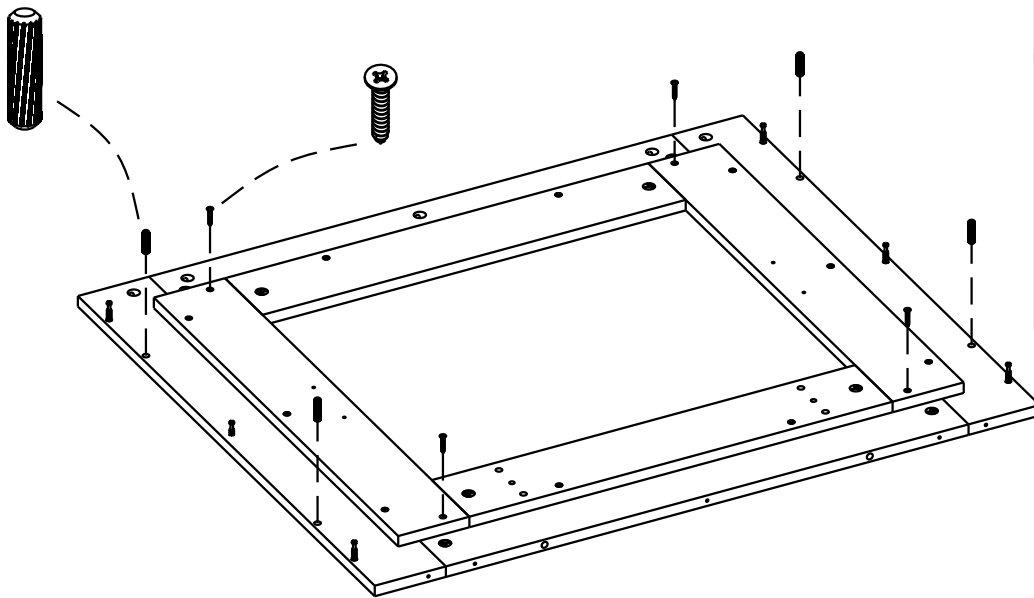
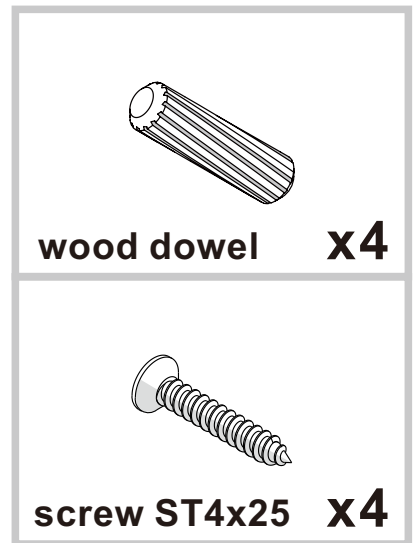
STEP 5



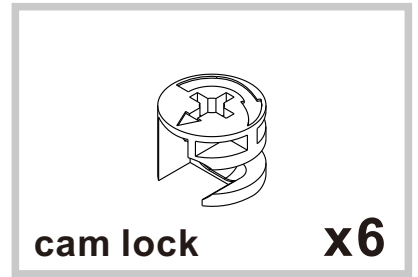
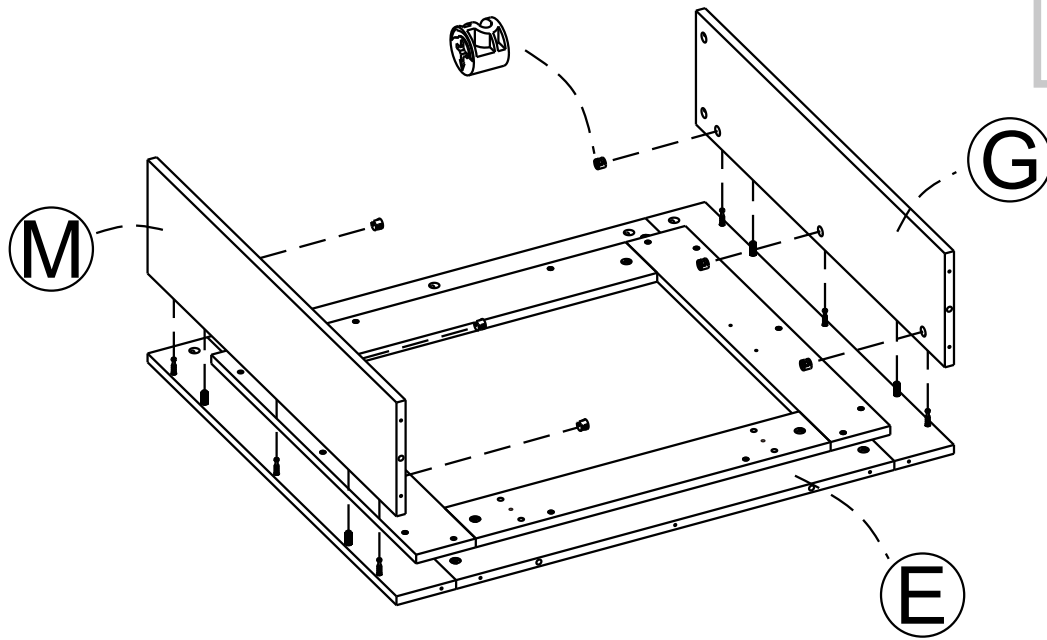
STEP 6



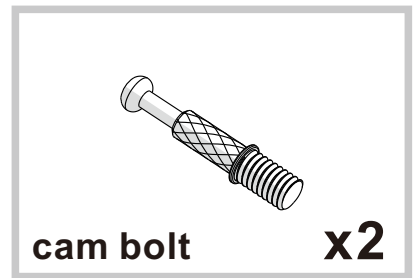
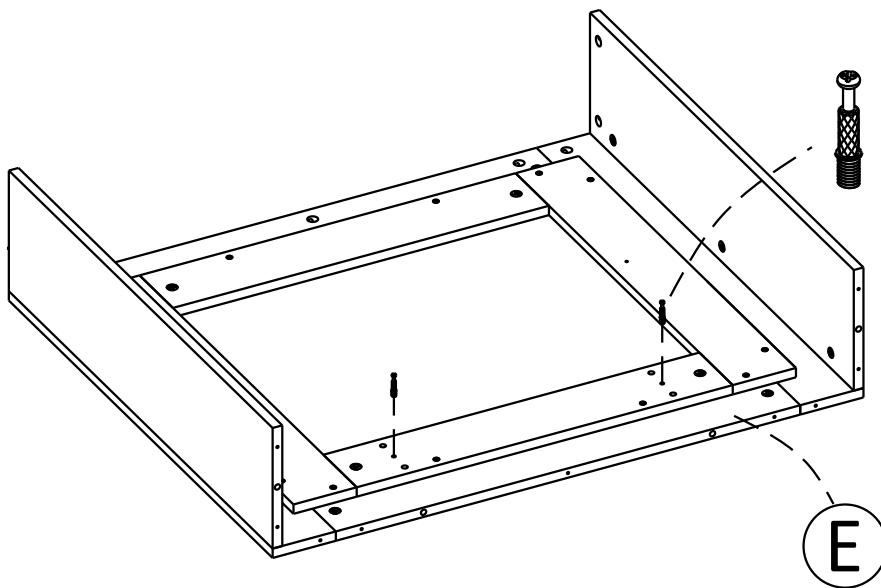
STEP 7



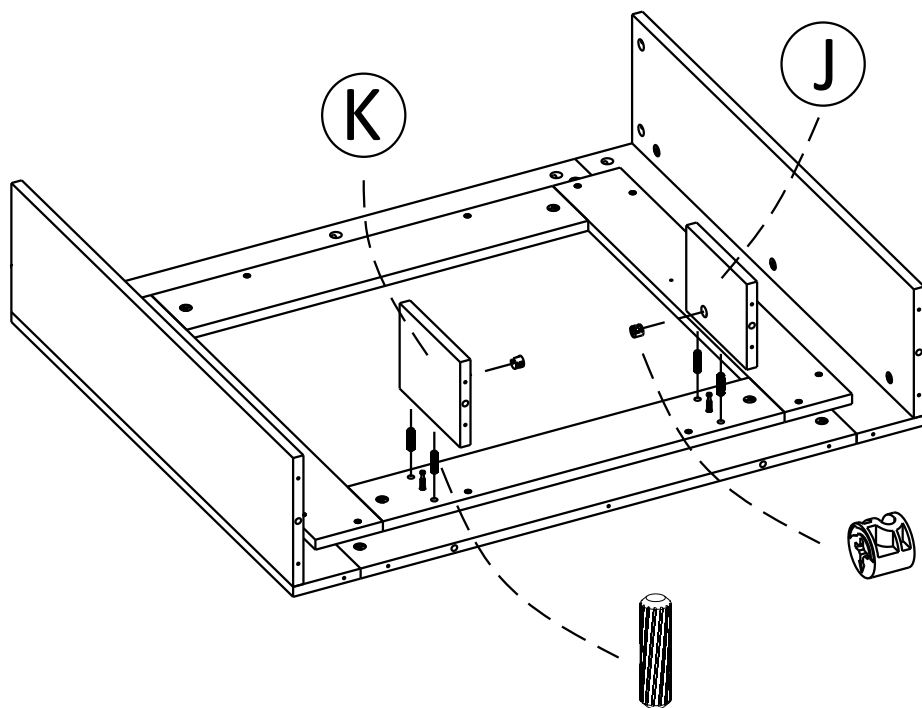
STEP 8



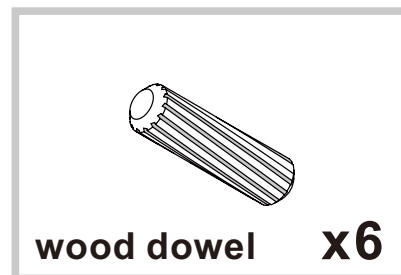
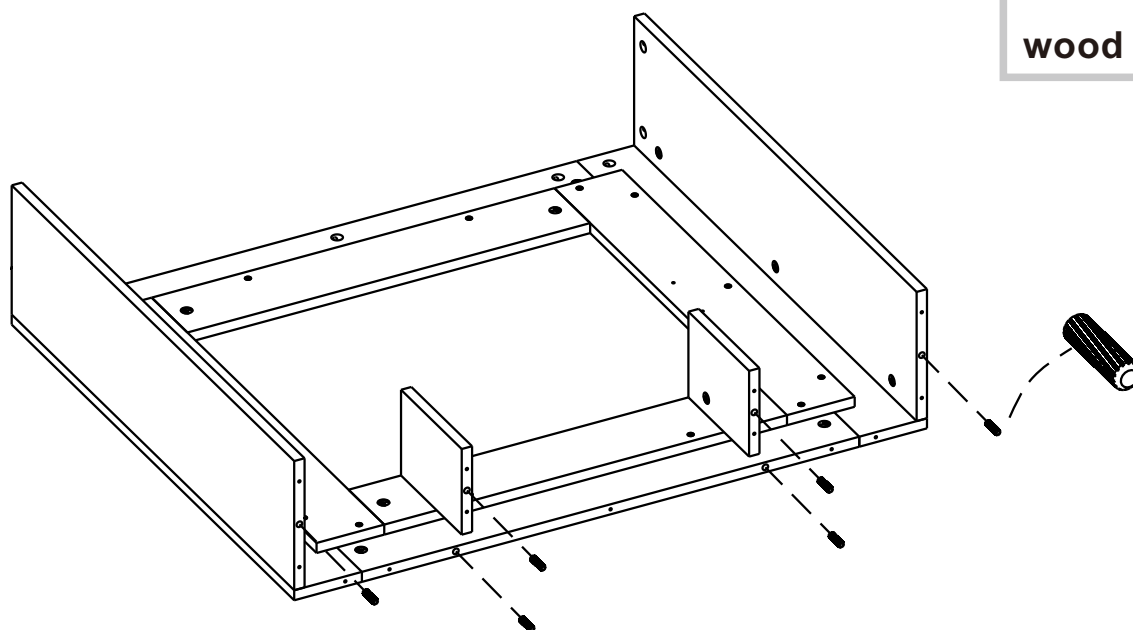
STEP 9



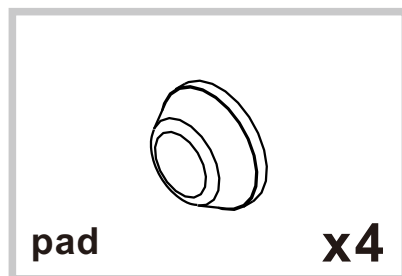
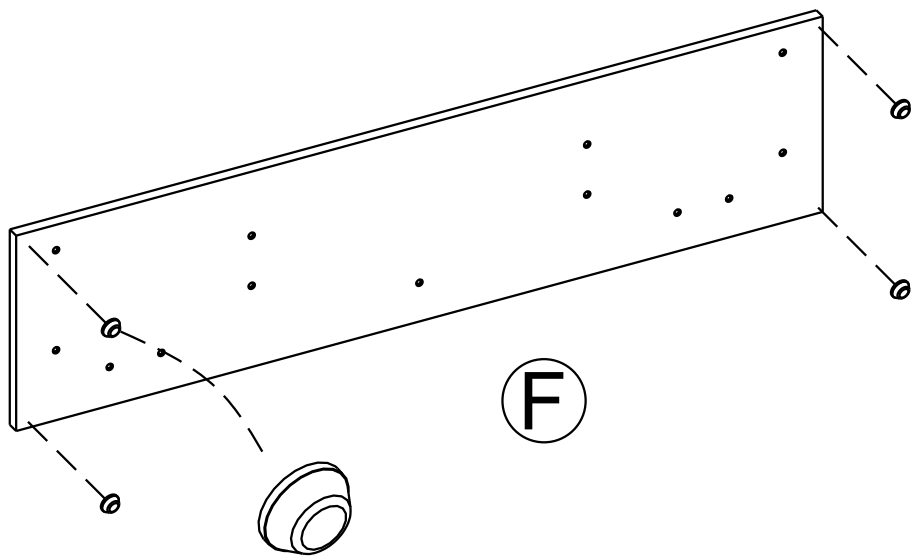
STEP 10



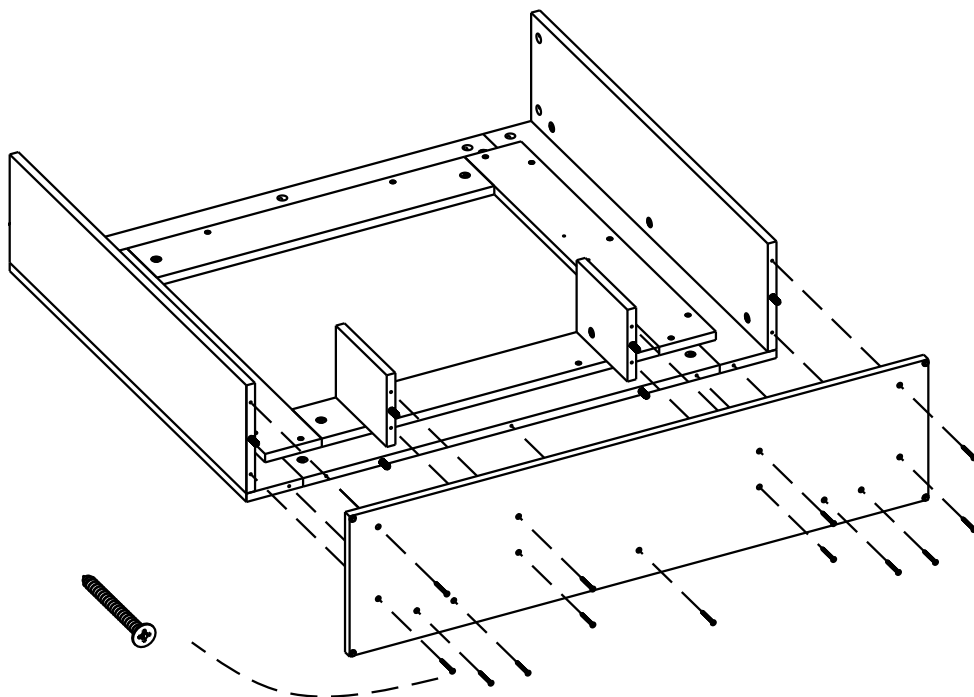
STEP 11



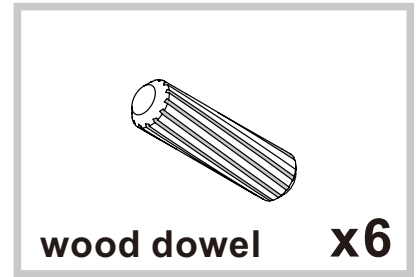
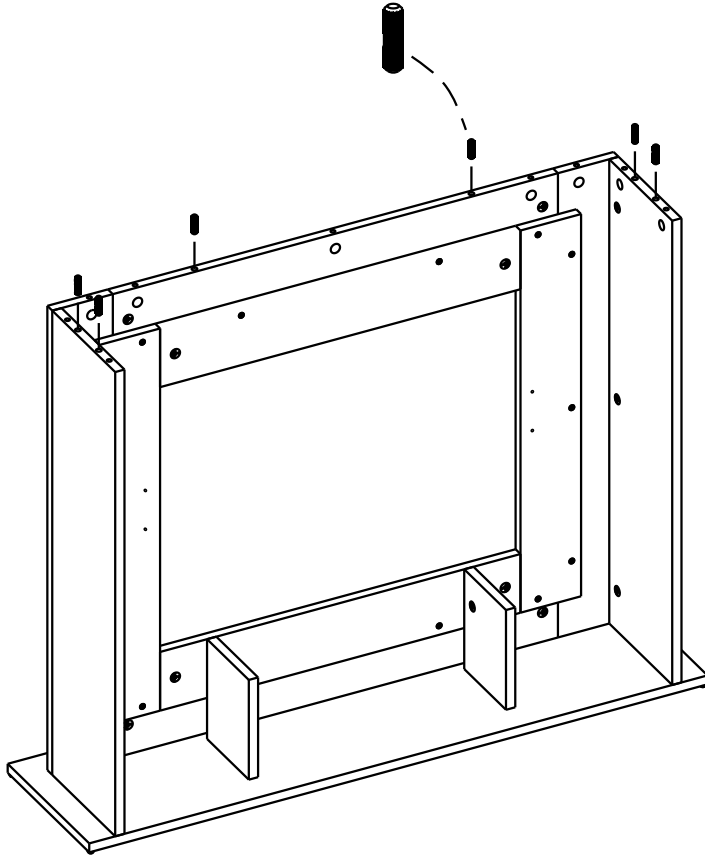
STEP 12



STEP 13

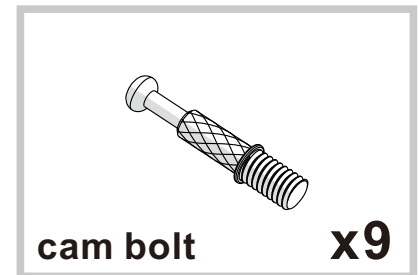
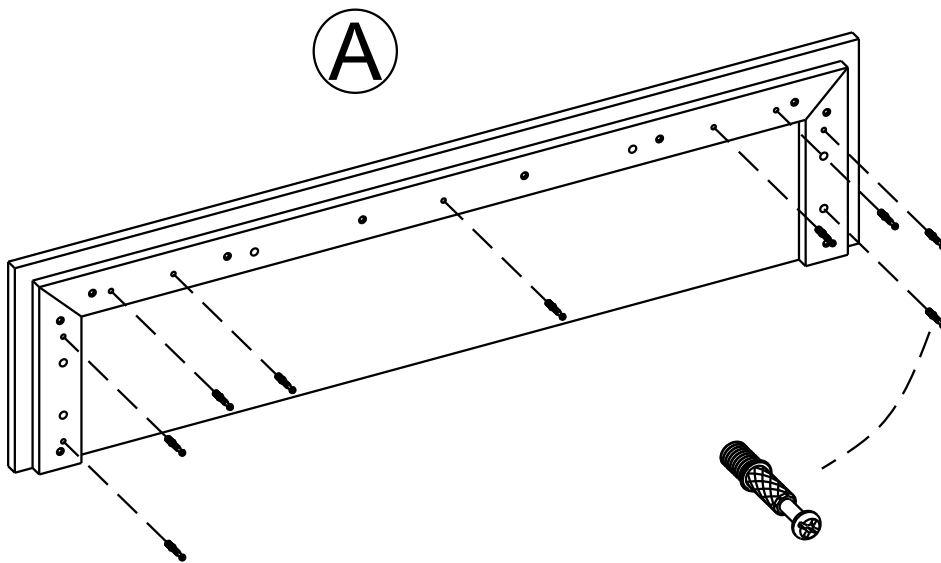


STEP 14



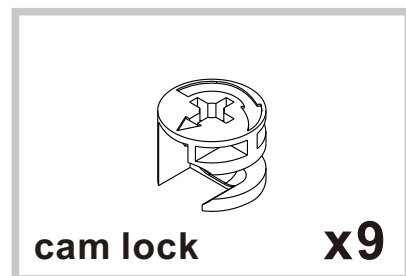
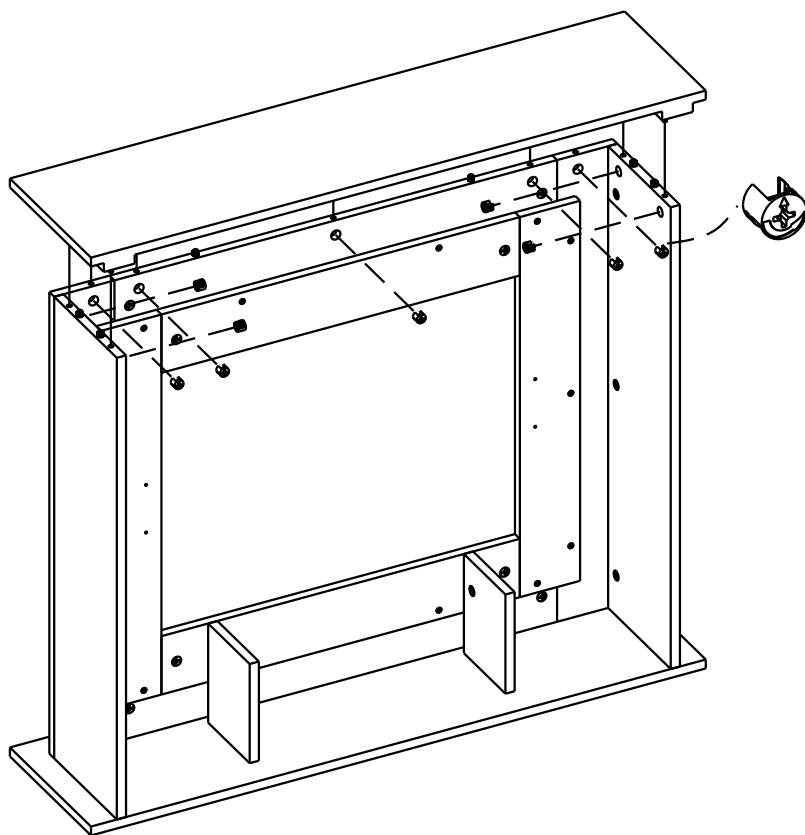
wood dowel **x6**

STEP 15

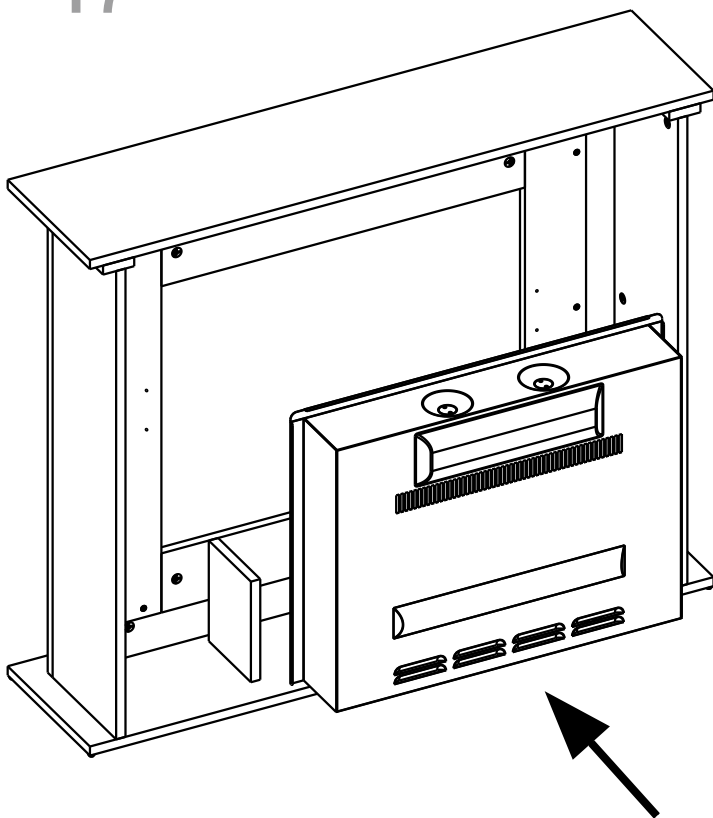


cam bolt **x9**

STEP 16

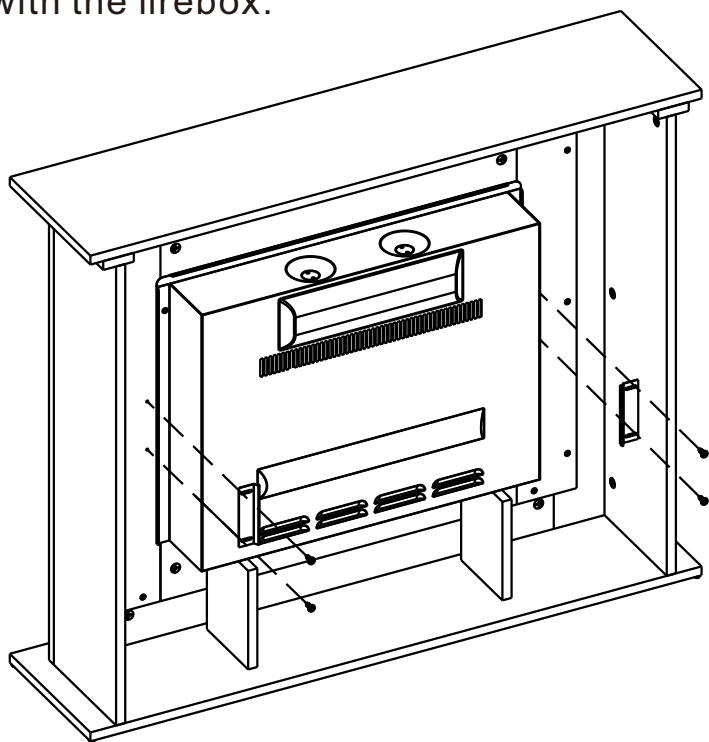


STEP 17



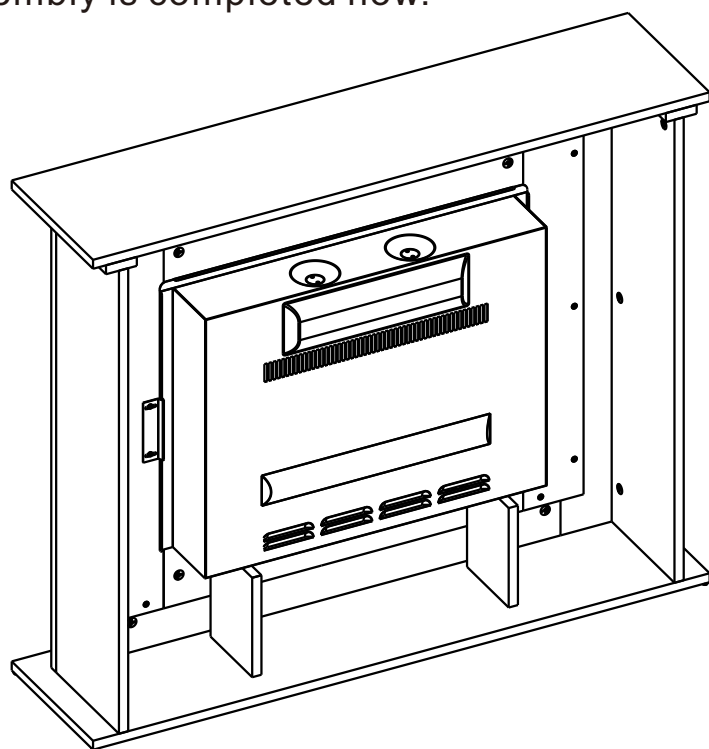
STEP 18

Fix the fireplace to the mantel with two brackets and four ST3.5x12mm screws packed with the firebox.



STEP 19

The assembly is completed now.



Distributor: Moddelo Ltd
Deansfield House
98 Lancaster Road
Newcastle under Lyme
Staffordshire, ST5 1DS
England

Tel: 01785 719005

Email: customerservice@moddelo.co.uk