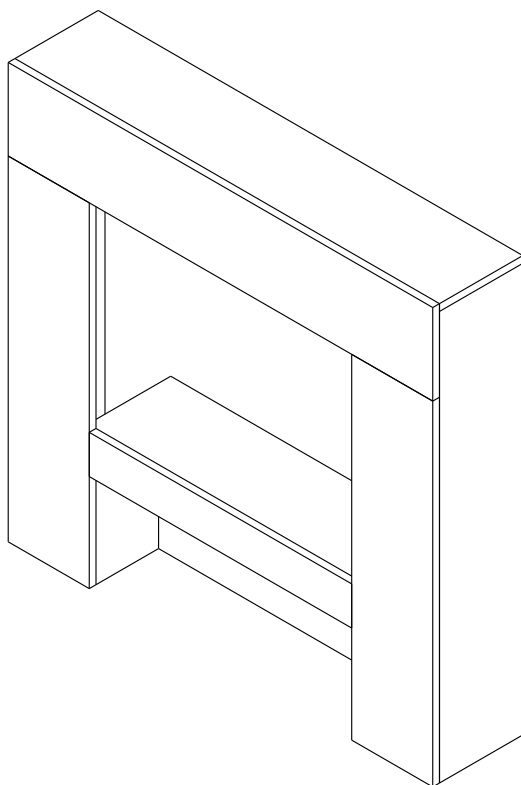


FIREPLACE MANTEL

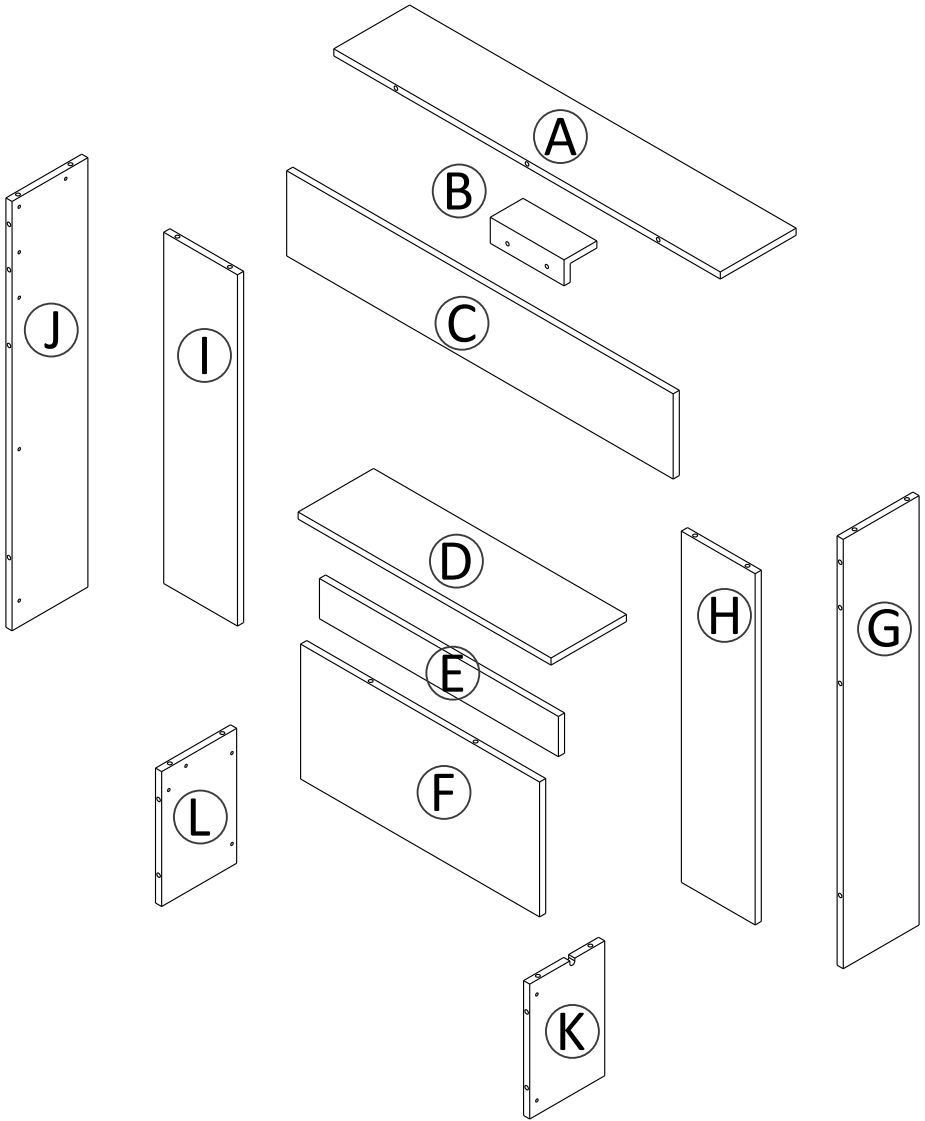
ASSEMBLY INSTRUCTIONS

MT378E



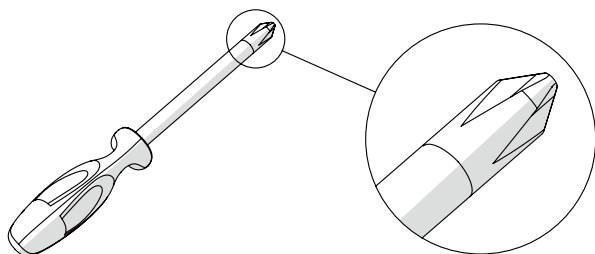
If you have a problem with this product, **DO NOT RETURN**.
Call our customer service ,Tel: 01785 719005, or
E-mail: customerservice@modelo.co.uk

PARTS LIST


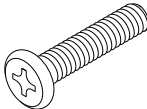
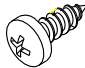

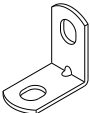
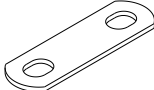
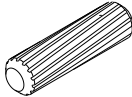

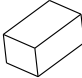
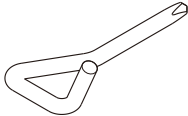




TOOLS REQUIRED

A screwdriver will be needed

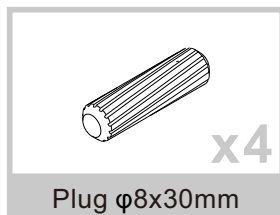
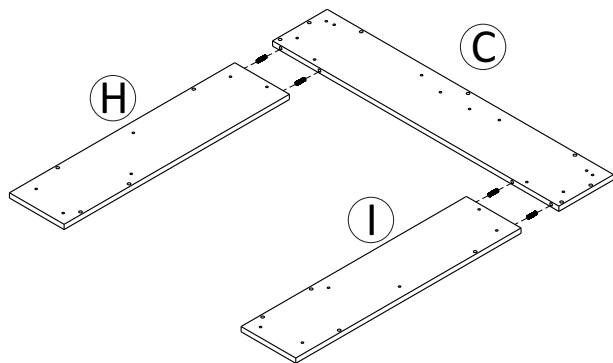


ACCESSORIES

 Screw M6x12mm X70+1	 Screw M6x28mm X2+1	 Screw ST4x12mm X8+1
 Washer X2+1	 L Bracket X33+1	 Flat Bracket X2+1
 Plug ø8x30mm X35+1	 Clamp X4	 Foam X4
 Screwdriver X1	 Moodlight Strip X1	 Connect Wire X1

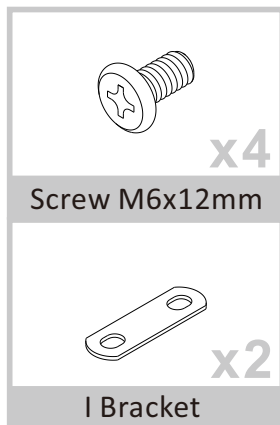
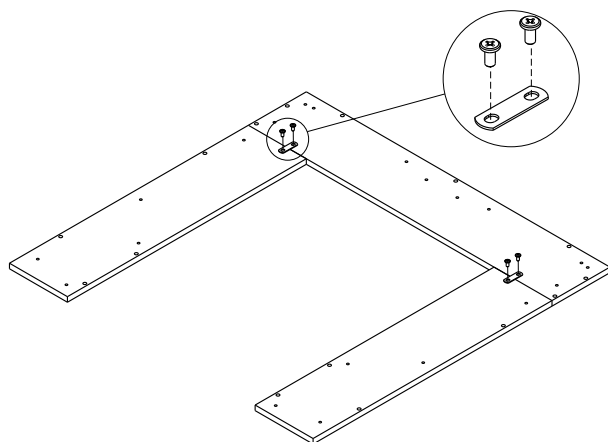
ASSEMBLY INSTRUCTIONS

STEP 1



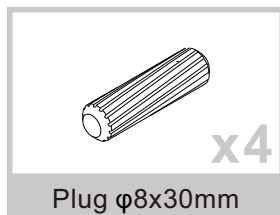
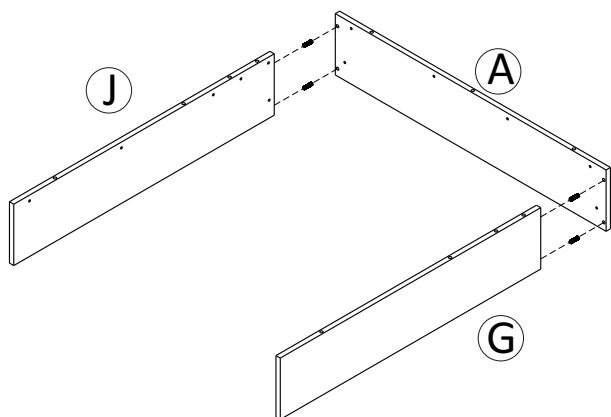
Carry out these assembly steps on both sides.

STEP 2



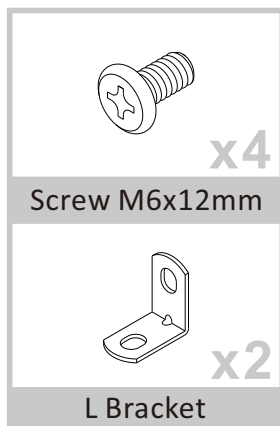
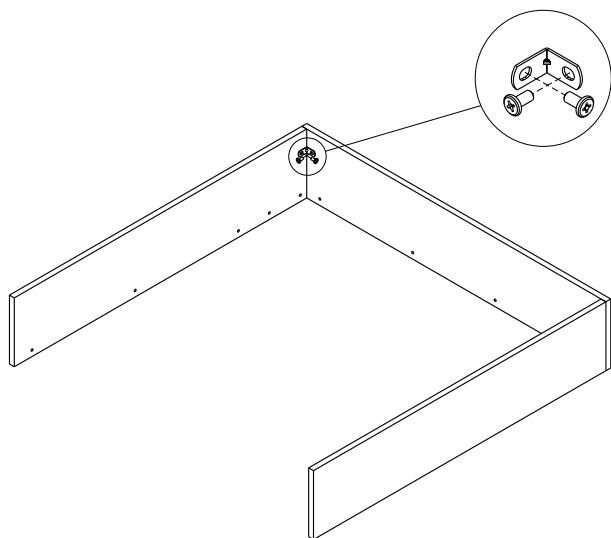
Carry out these assembly steps on both sides.

STEP 3



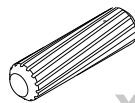
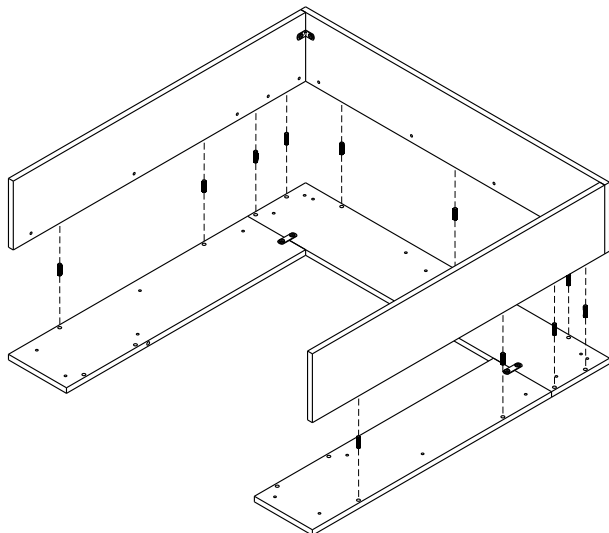
Carry out these assembly steps on both sides.

STEP 4



Carry out these assembly steps on both sides.

STEP 5

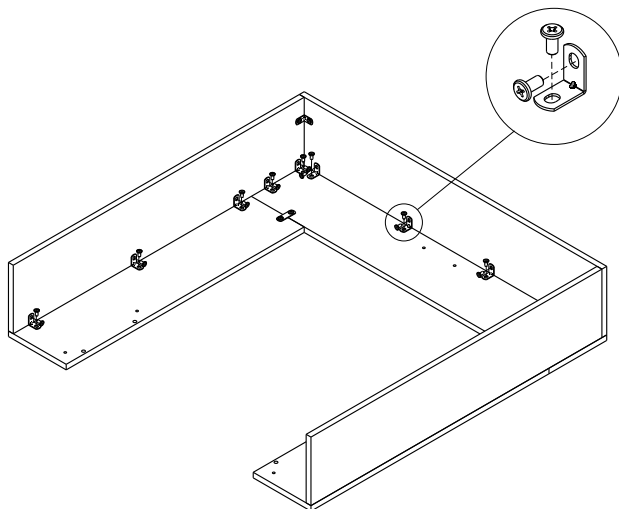


x11

Plug $\phi 8 \times 30 \text{mm}$

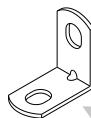
Carry out these assembly steps on both sides.

STEP 6



x28

Screw M6x12mm

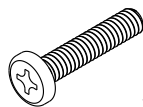
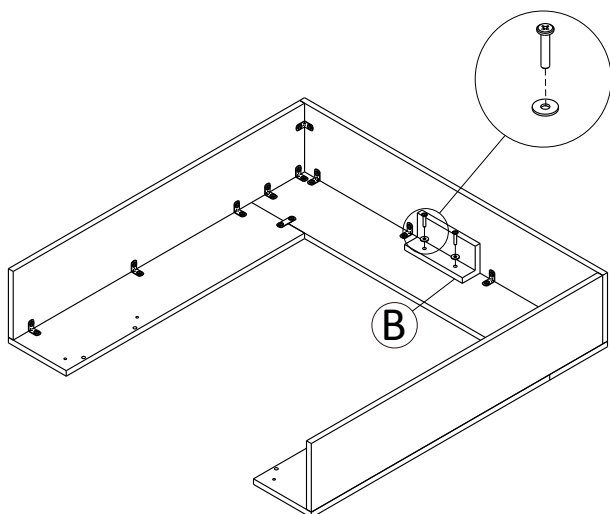


x14

L Bracket

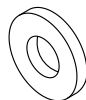
Carry out these assembly steps on both sides.

STEP 7



x2

Screw M6x28mm

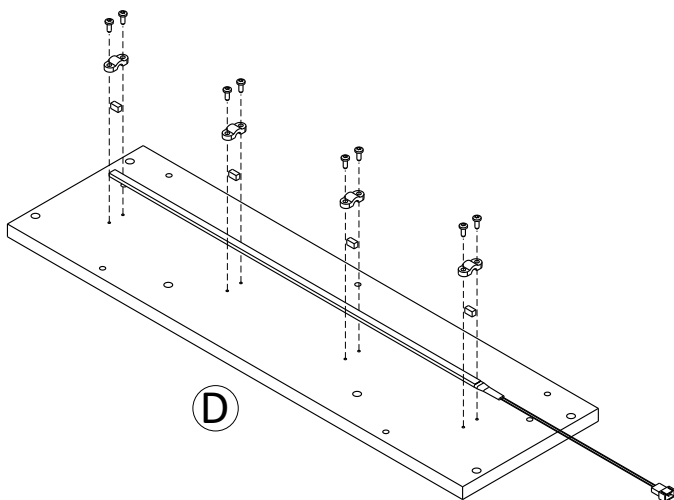


x2

Washer

Carry out these assembly steps on both sides.

STEP 8



x4

Clamp



x4

Foam



x8

Screw ST4x12mm



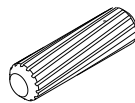
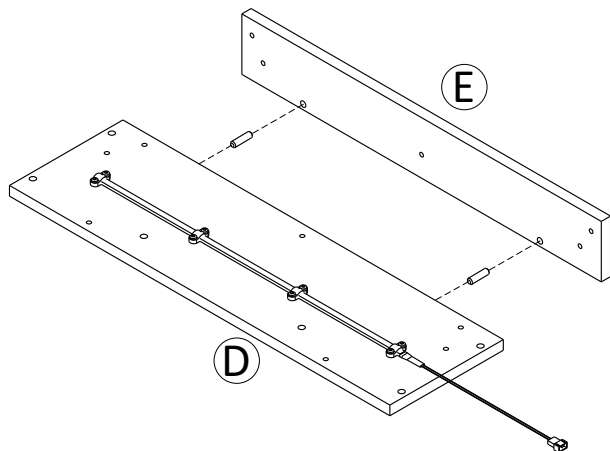
x1

Moodlight Strip

Uncover the paper on the foams and stick them on the moodlight strip evenly, use the clamps and screws to fix the moodlight strip on the panel.

Make sure the strip is fixed as above otherwise it will influence the mood light effect.

STEP 9

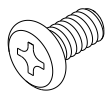
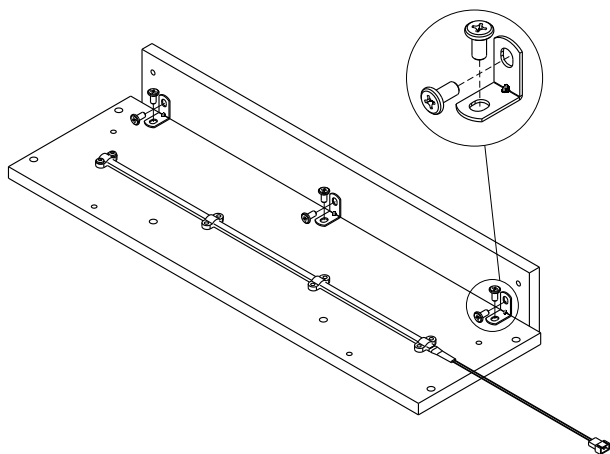


x2

Plug $\phi 8 \times 30 \text{mm}$

Carry out these assembly steps on both sides.

STEP 10



x6

Screw M6x12mm

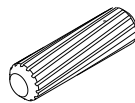
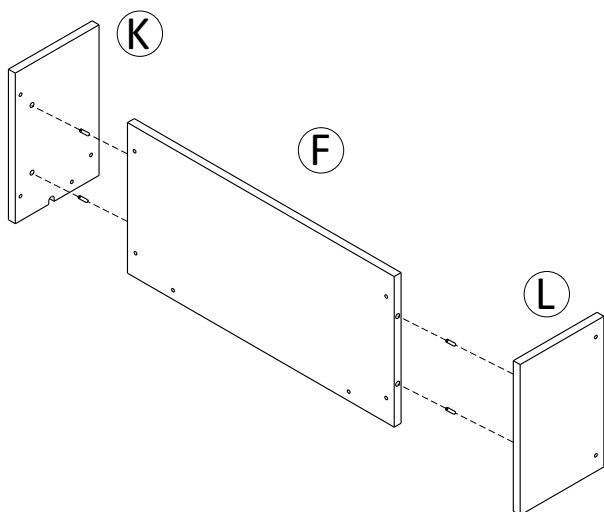


x3

L Bracket

Carry out these assembly steps on both sides.

STEP 11

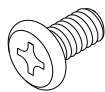
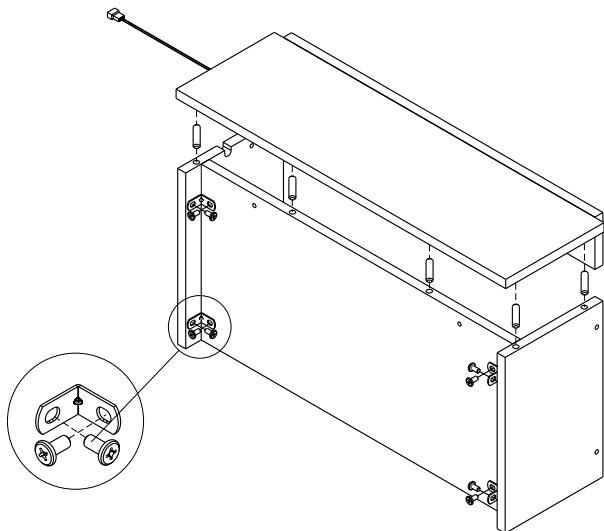


x4

Plug $\phi 8 \times 30 \text{mm}$

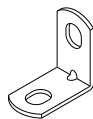
Carry out these assembly steps on both sides.

STEP 12



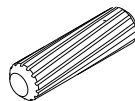
x8

Screw M6x12mm



x4

L Bracket

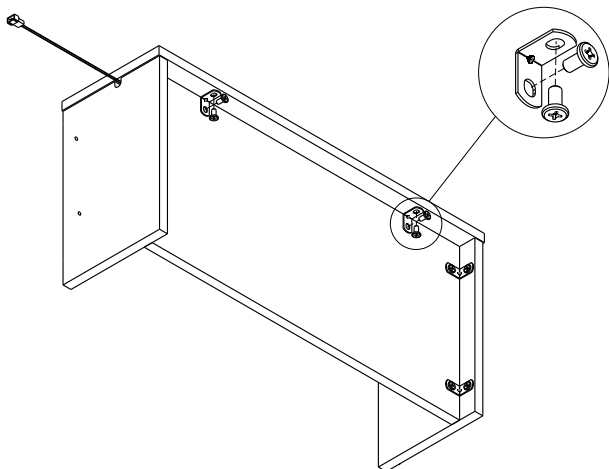


x6

Plug $\phi 8 \times 30 \text{mm}$

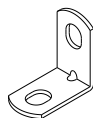
Carry out these assembly steps on both sides.

STEP 13



x4

Screw M6x12mm

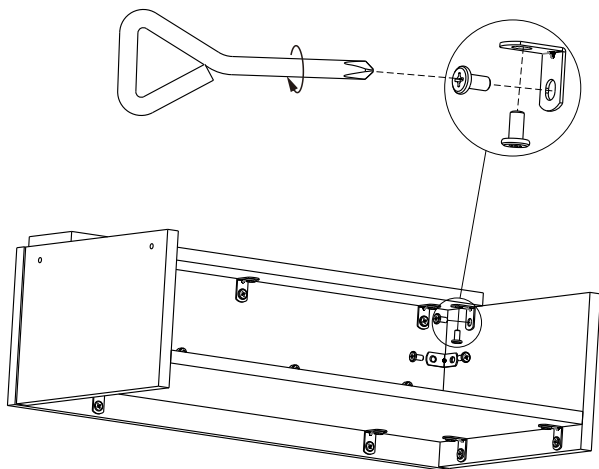


x2

L Bracket

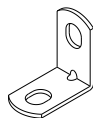
Carry out these assembly steps on both sides.

STEP 14



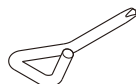
x8

Screw M6x12mm



x4

L Bracket

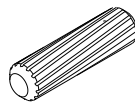
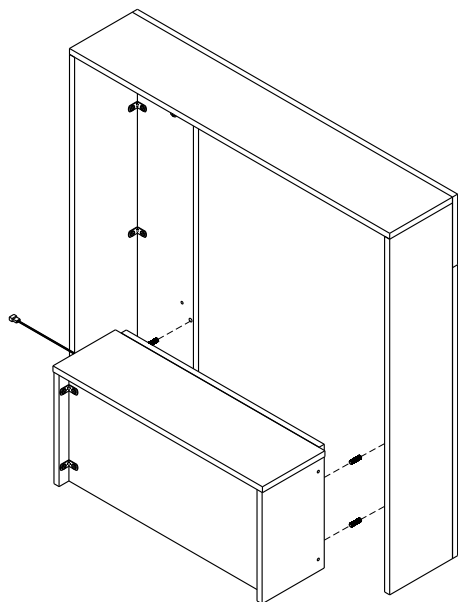


x1

Screwdriver

Carry out these assembly steps on both sides.

STEP 15

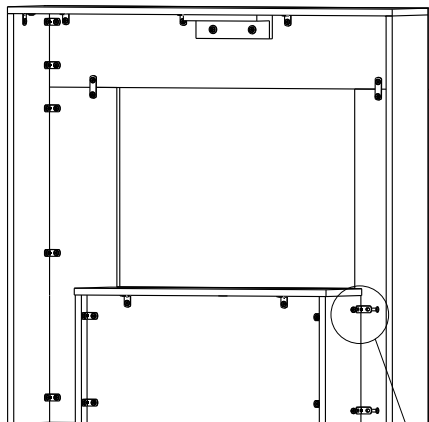


x4

Plug $\phi 8 \times 30 \text{mm}$

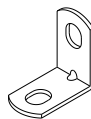
Carry out these assembly steps on both sides.

STEP 16



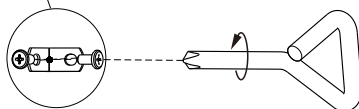
x8

Screw M6x12mm



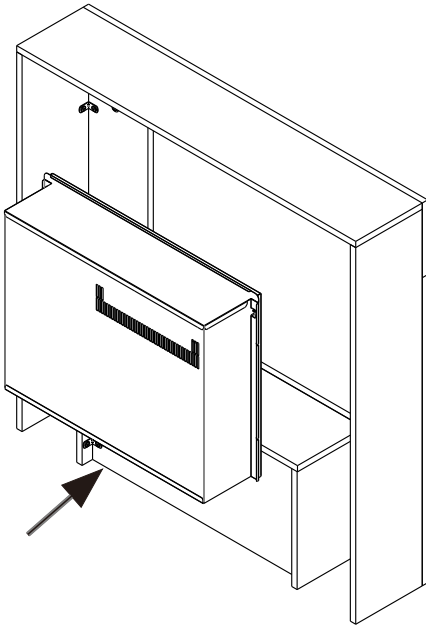
x4

L Bracket



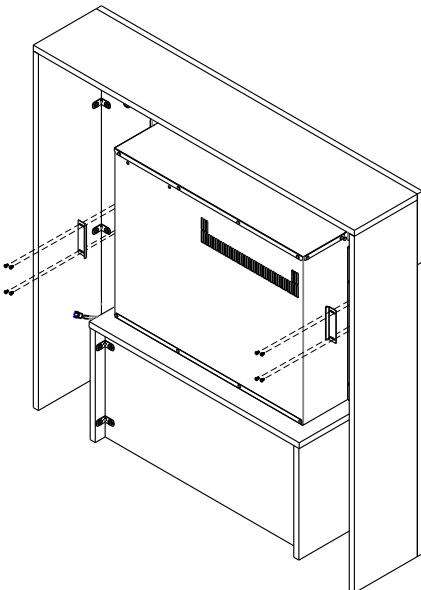
Carry out these assembly steps on both sides.

STEP 17



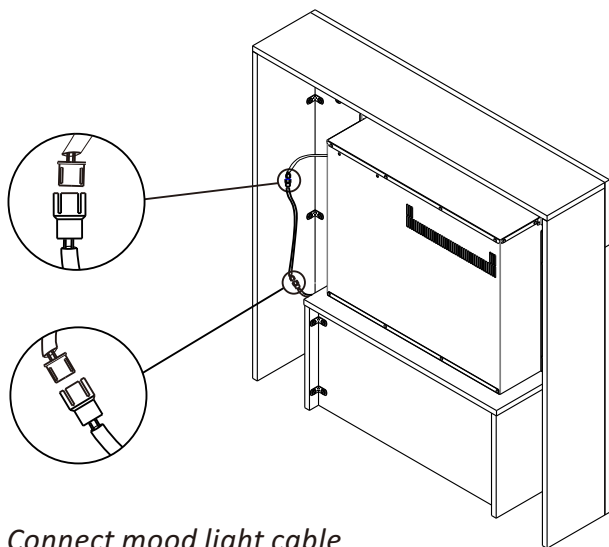
Rear side of the panel

STEP 18

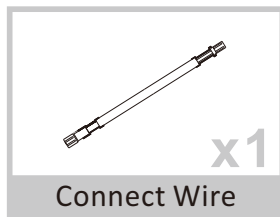


8pcs ST3.5x12mm Screw

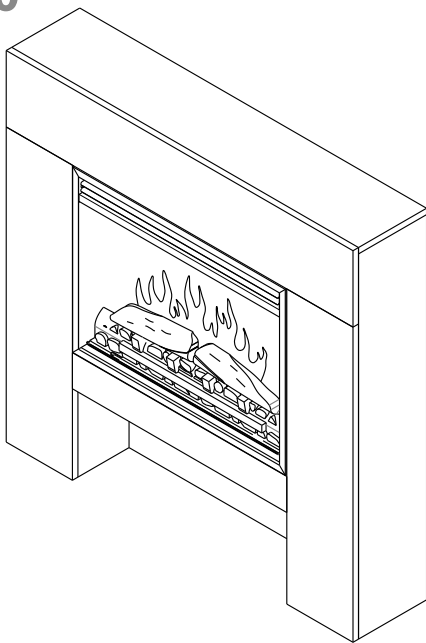
STEP 19



Connect mood light cable



STEP 20



Distributor: Moddelo Ltd
Deansfield House
98 Lancaster Road
Newcastle under Lyme
Staffordshire, ST5 1DS
England

Tel: 01785 719005

Email: customerservice@moddelo.co.uk