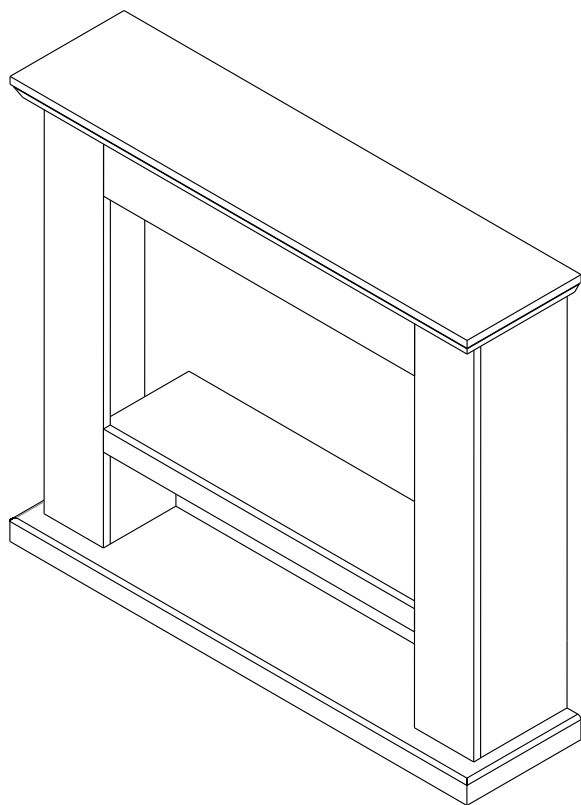


# **FIREPLACE MANTEL**

## **ASSEMBLY INSTRUCTIONS**

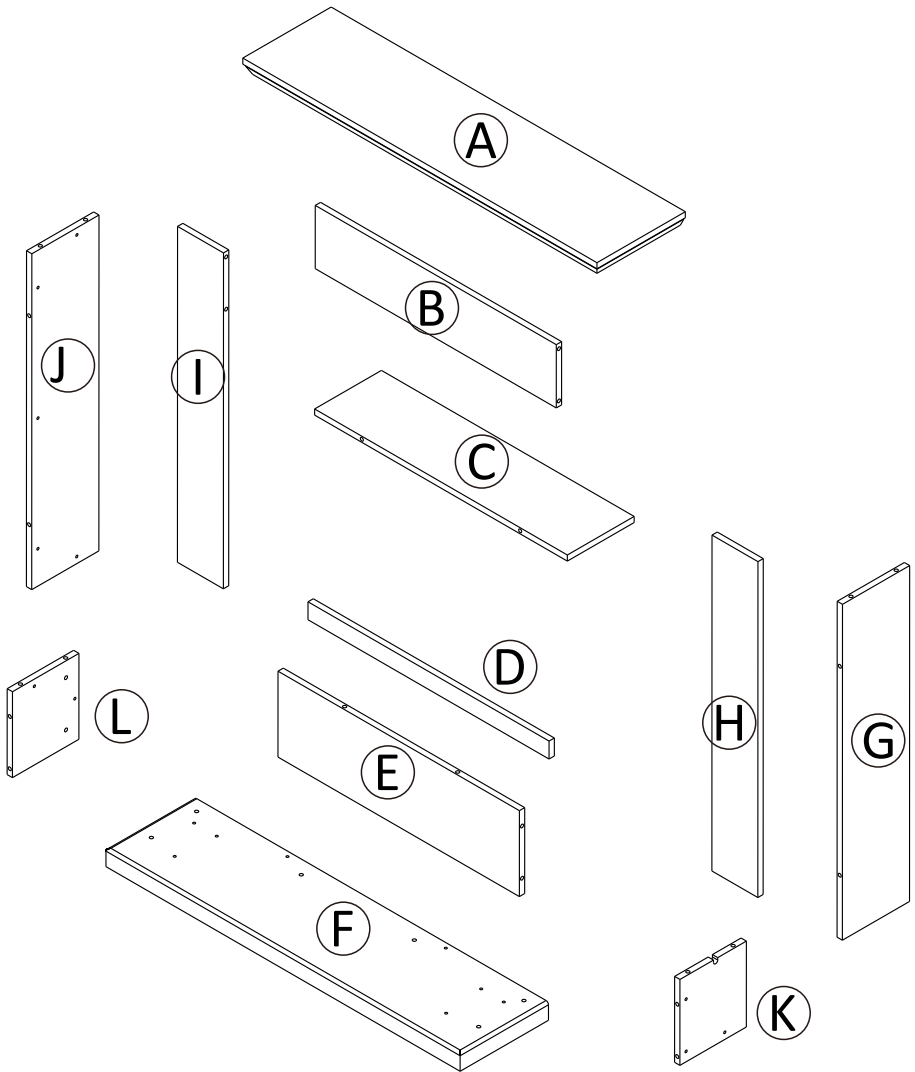
### **MT379D**



If you have a problem with this product, **DO NOT RETURN**.  
Call our customer service ,Tel: 01785 719005, or  
E-mail: [customerservice@modelo.co.uk](mailto:customerservice@modelo.co.uk)

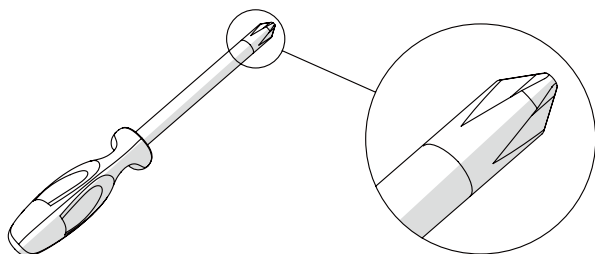


# PARTS LIST


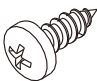
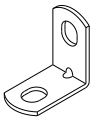
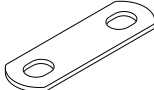
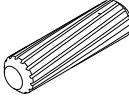
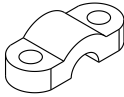
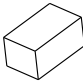
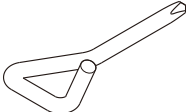





# TOOLS REQUIRED

A screwdriver will be needed

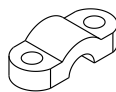
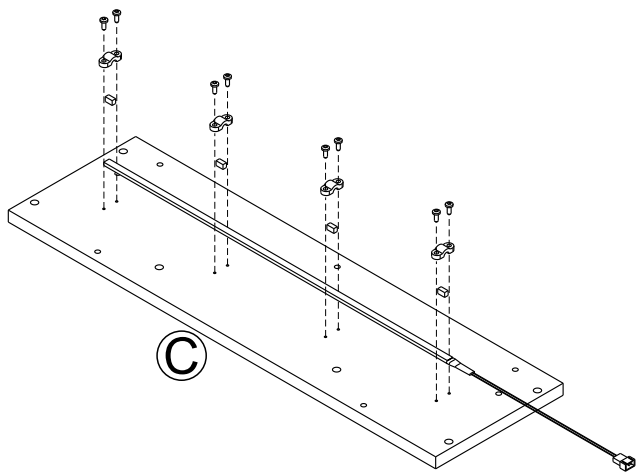


# ACCESSORIES

 Screw M6x12mm <b>X70+1</b>	 Screw ST4x12mm <b>X8+1</b>	 L Bracket <b>X33+1</b>
 Flat Bracket <b>X2+1</b>	 Plug $\varnothing 8 \times 30$ mm <b>X34+1</b>	 Clamp <b>X4</b>
 Foam <b>X4</b>	 Screwdriver <b>X1</b>	 Moodlight Strip <b>X1</b>
 Connet Wire <b>X1</b>	 Pad <b>X6+2</b>	

# ASSEMBLY INSTRUCTIONS

## STEP 1



x4

Clamp



x4

Foam



x8

Screw ST4x12mm



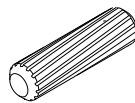
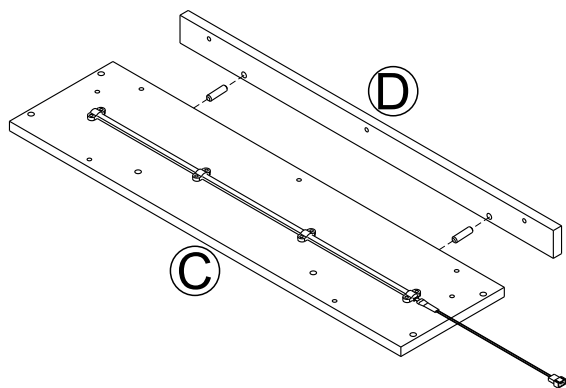
x1

Moodlight Strip

Uncover the paper on the foams and stick them on the moodlight strip evenly, use the clamp and screws to fix the moodlight strip on the panel.

Make sure the strip is fixed as above otherwise it will influence the mood light effect.

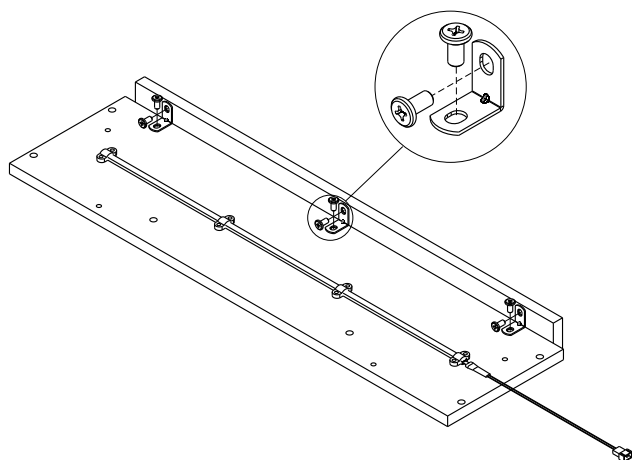
## STEP 2



x2

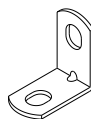
Plug  $\phi 8 \times 30 \text{mm}$

## STEP 3



x6

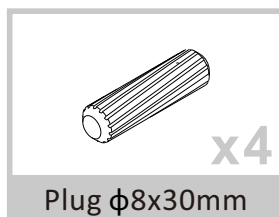
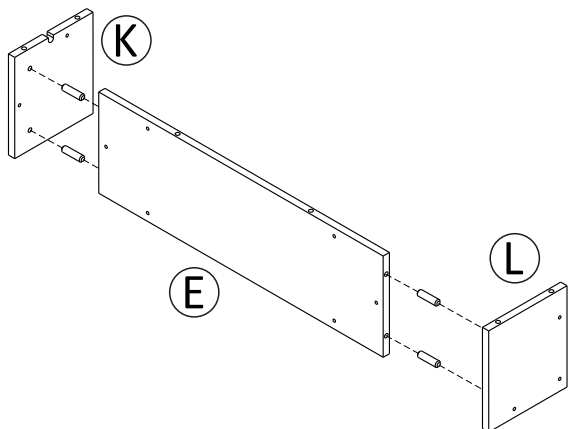
Screw M6x12mm



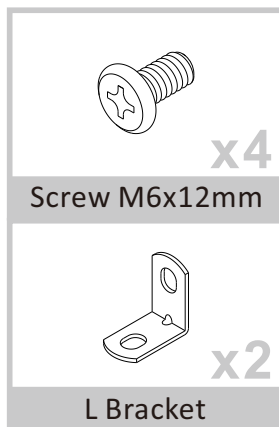
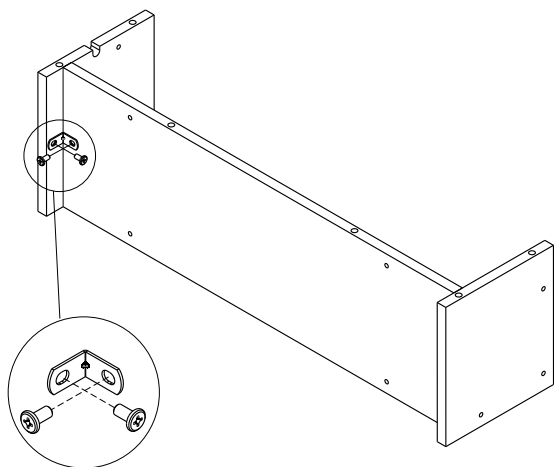
x3

L Bracket

# STEP 4

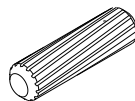
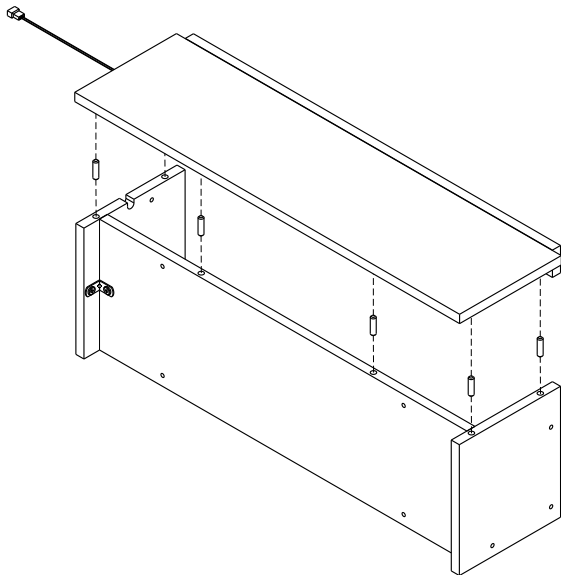


# STEP 5



Carry out these assembly steps on both sides.

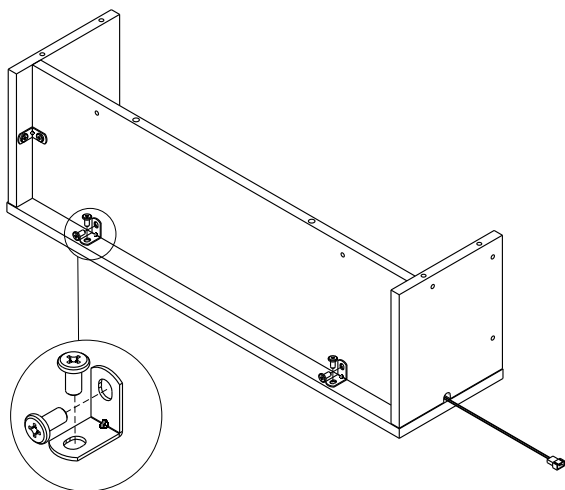
## STEP 6



x6

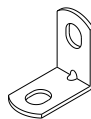
Plug  $\phi 8 \times 30 \text{mm}$

## STEP 7



x4

Screw M6x12mm

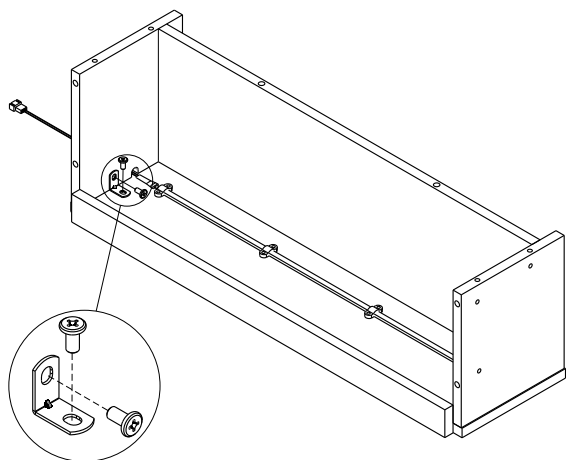


x2

L Bracket

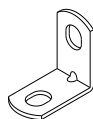
Carry out these assembly steps on both sides.

## STEP 8



x4

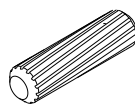
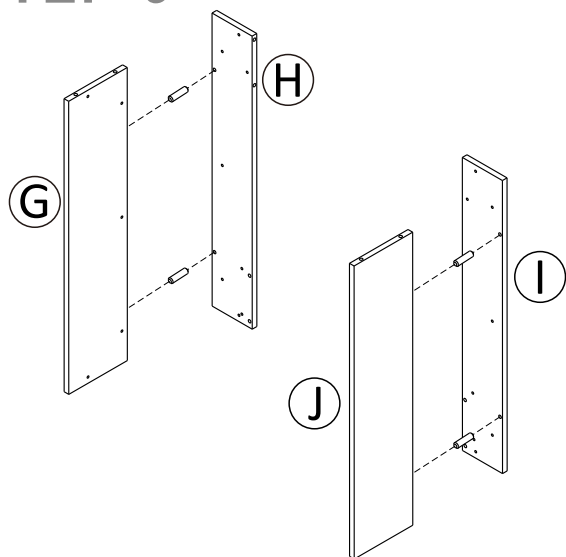
Screw M6x12mm



x2

L Bracket

## STEP 9

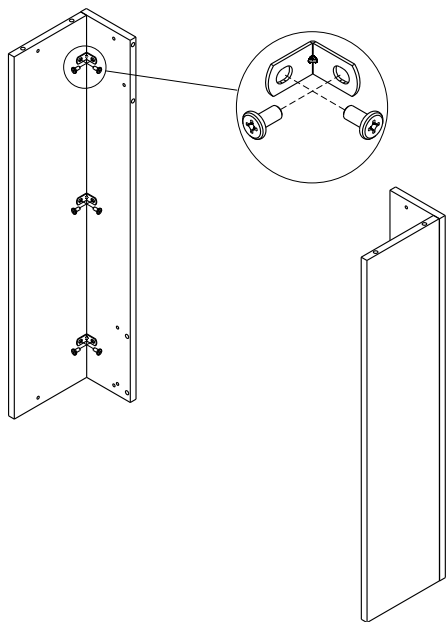


x4

Plug  $\phi 8 \times 30 \text{mm}$

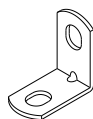
Carry out these assembly steps on both sides.

## STEP 10



x12

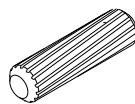
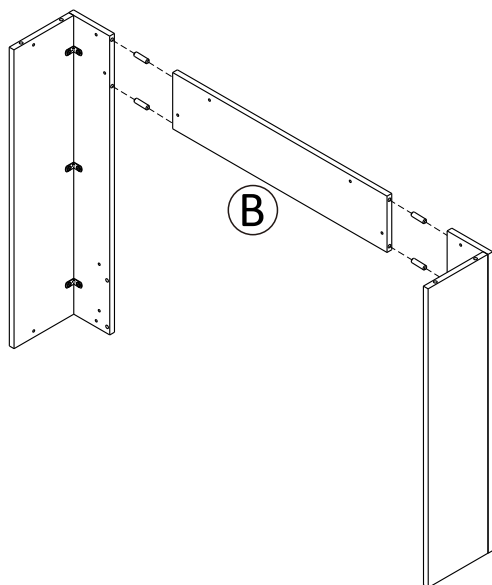
Screw M6x12mm



x6

L Bracket

## STEP 11

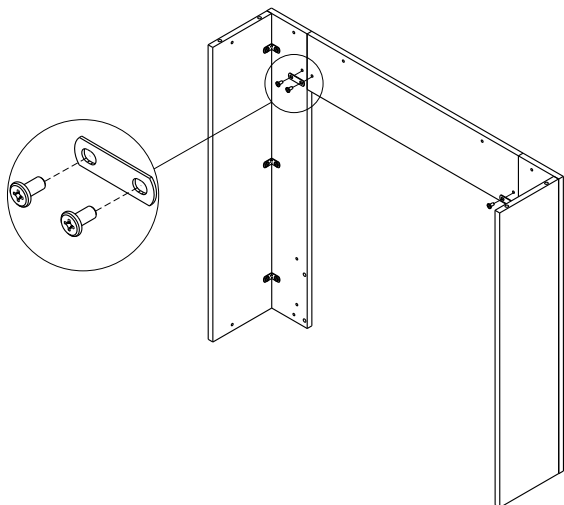


x4

Plug  $\phi 8 \times 30$ mm

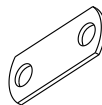
Carry out these assembly steps on both sides.

## STEP 12



x4

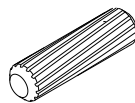
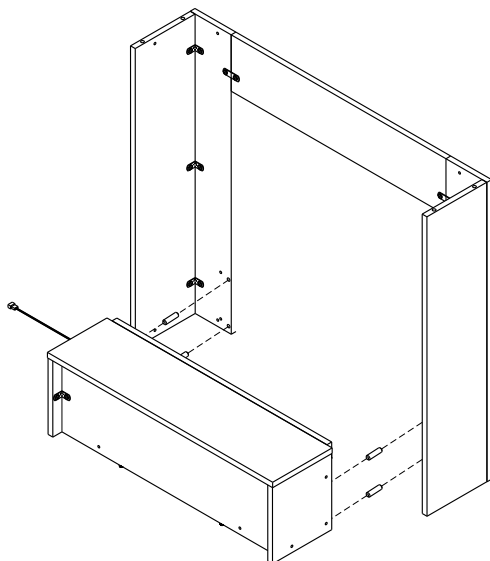
Screw M6x12mm



x2

Flat Bracket

## STEP 13

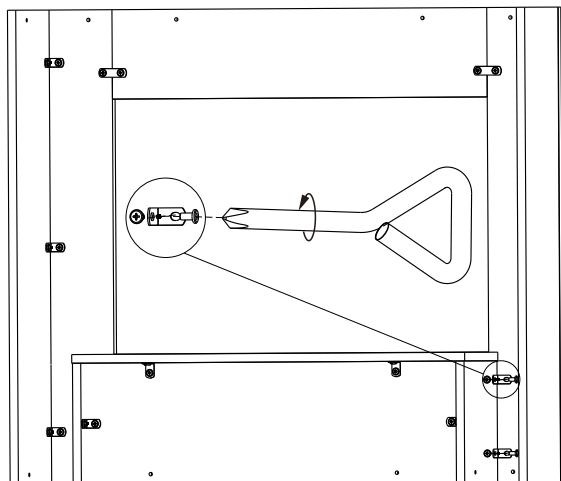


x4

Plug  $\phi 8 \times 30 \text{mm}$

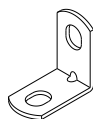
Carry out these assembly steps on both sides.

# STEP 14



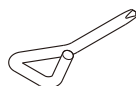
x8

Screw M6x12mm



x4

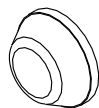
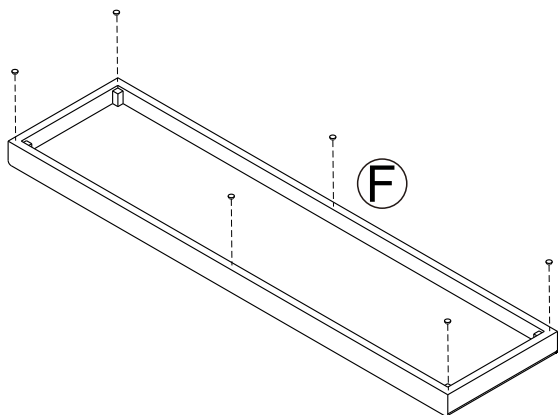
L Bracket



x1

Screwdriver

# STEP 15

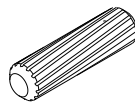
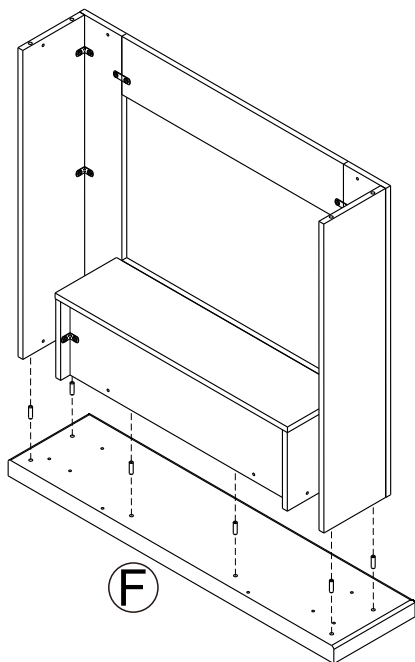


x6

Pad

Carry out these assembly steps on both sides.

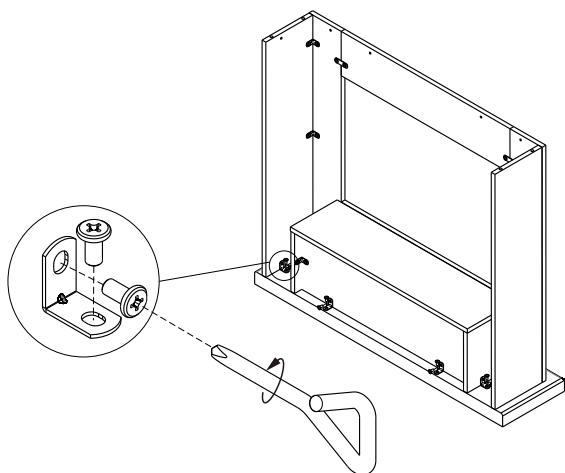
## STEP 16



x6

Plug  $\varnothing 8 \times 30 \text{mm}$

## STEP 17



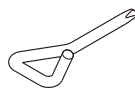
x16

Screw M6x12mm



x8

L Bracket

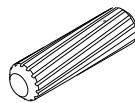
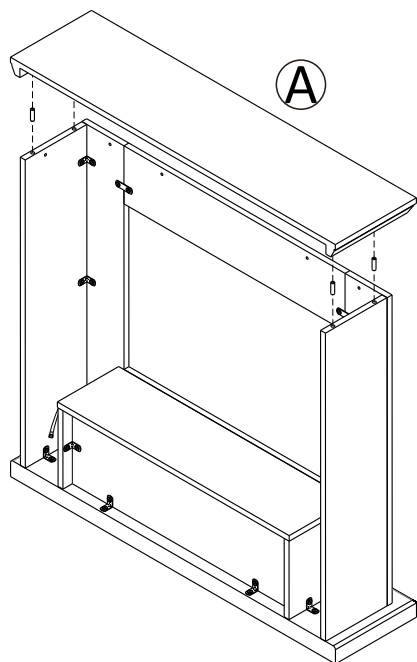


x1

Screwdriver

Carry out these assembly steps on both sides.

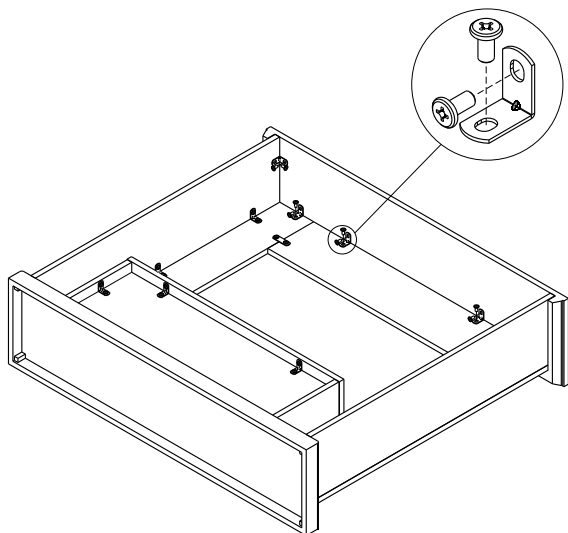
# STEP 18



x4

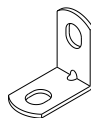
Plug  $\phi 8 \times 30 \text{mm}$

# STEP 19



x12

Screw M6x12mm

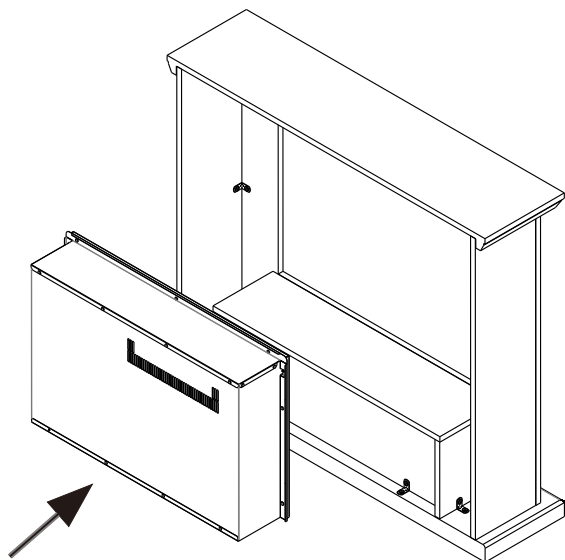


x6

L Bracket

Carry out these assembly steps on both sides.

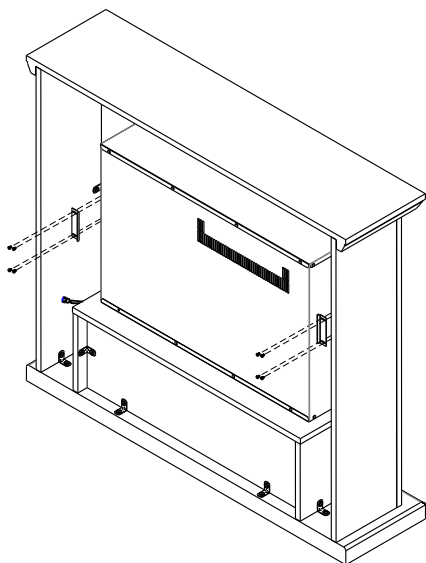
## STEP 20



*Rear side of the panel*

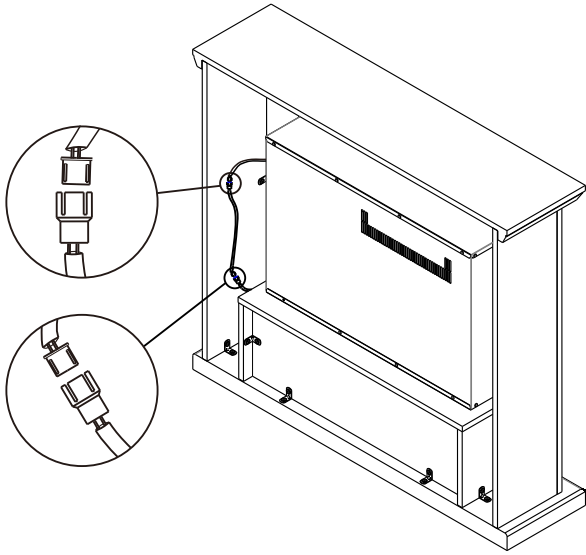
---

## STEP 21



*8pcs ST3.5x12mm Screw*

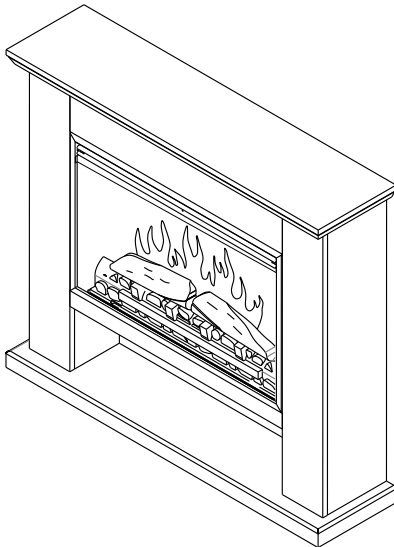
## STEP 22



*Connect mood light cable*

---

## STEP 23









**Distributor:** Moddelo Ltd  
Deansfield House  
98 Lancaster Road  
Newcastle under Lyme  
Staffordshire, ST5 1DS  
England

**Tel:** 01785 719005

**Email:** [customerservice@moddelo.co.uk](mailto:customerservice@moddelo.co.uk)