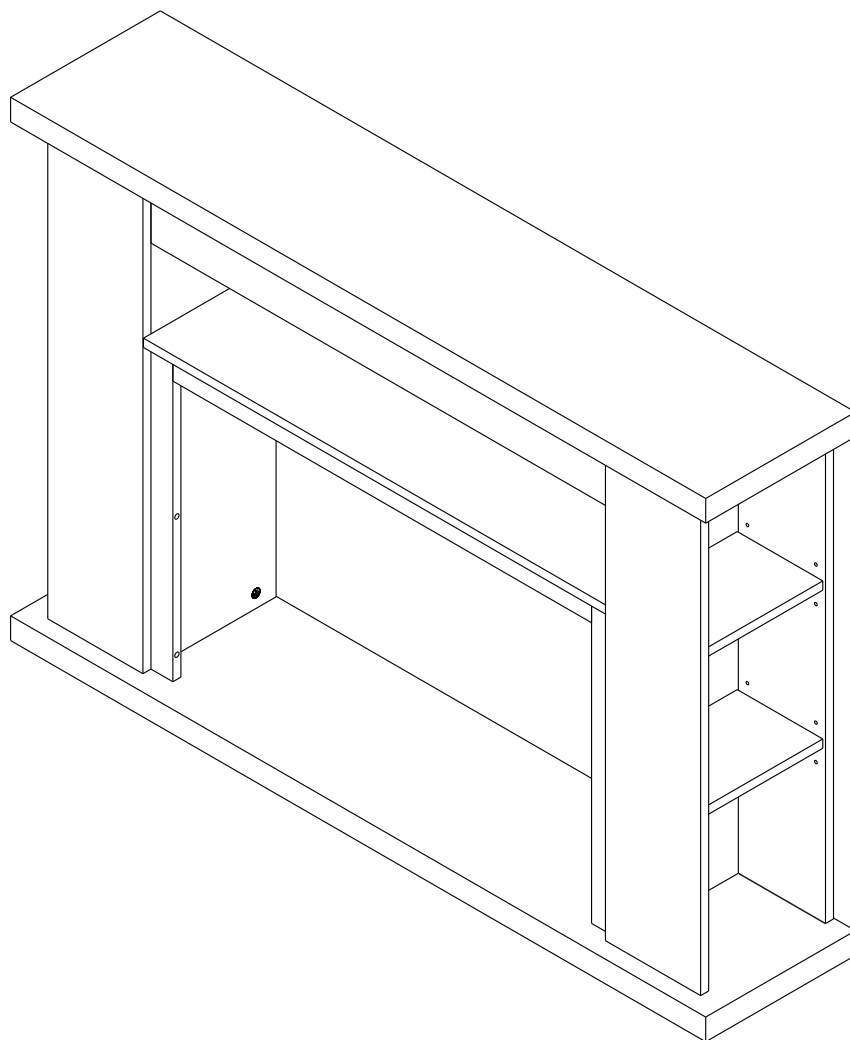


FIREPLACE MANTEL

ASSEMBLY INSTRUCTIONS

MT376E

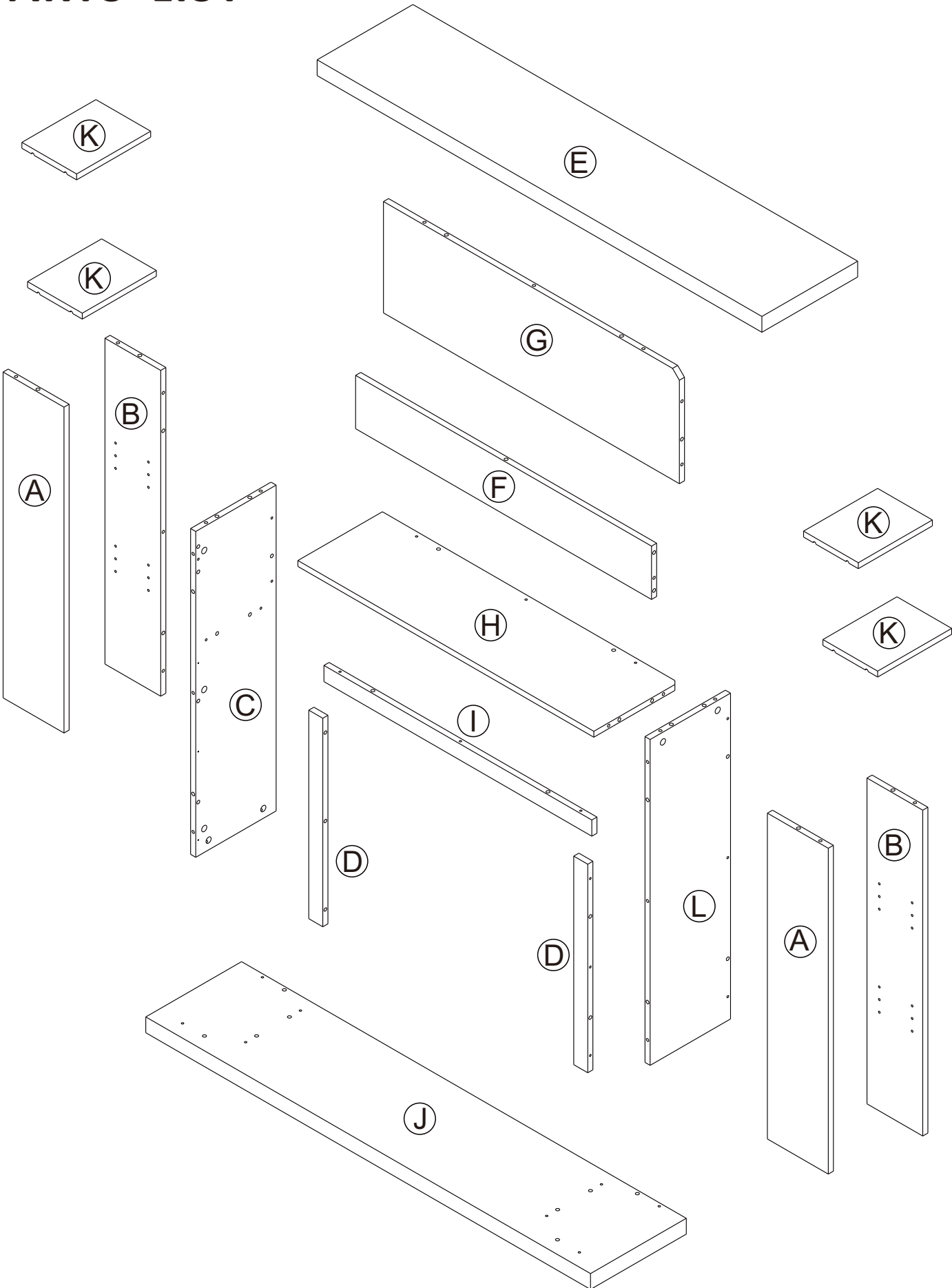


If you have a problem with this product, DO NOT RETURN.


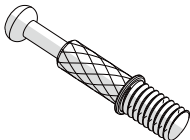
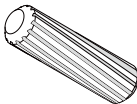
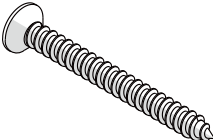
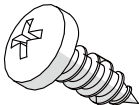
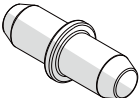



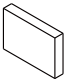

Call our customer service ,Tel: 01785 719005, or

E-mail: customerservice@moddelo.co.uk

PARTS LIST

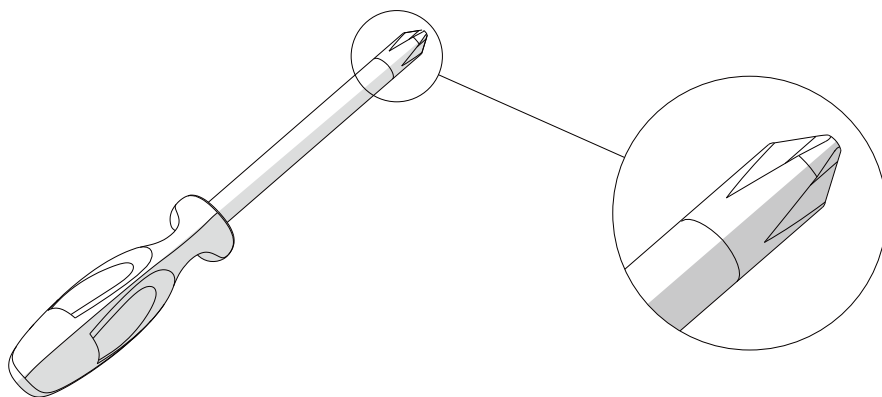


ACCESSORIES

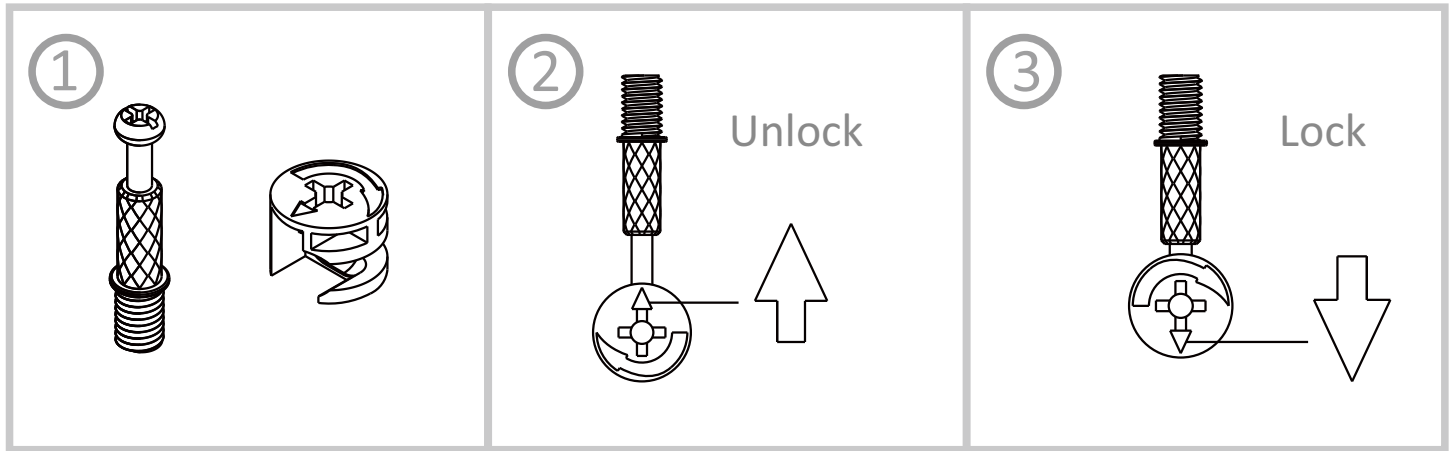
			
cam lock X44+1	cam bolt X44+1	wood dowel X45+1	screw ST4x50 X9+1
			
screw ST4x12 X10+1	pin X16+1	moodlight strip X1	connect wire X1
			
clamp X5	foam X5	rubber feet X6	

TOOLS REQUIRED

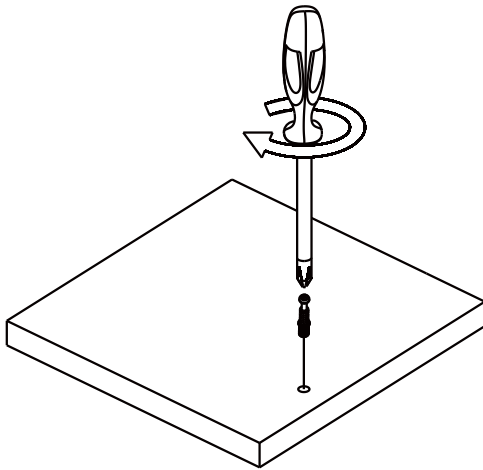
A screwdriver will be needed.



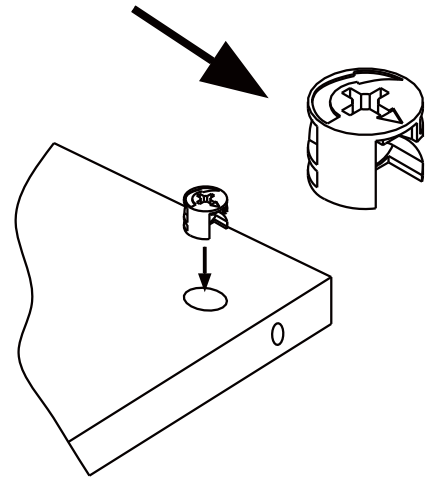
CAM LOCK FASTENING SYSTEM



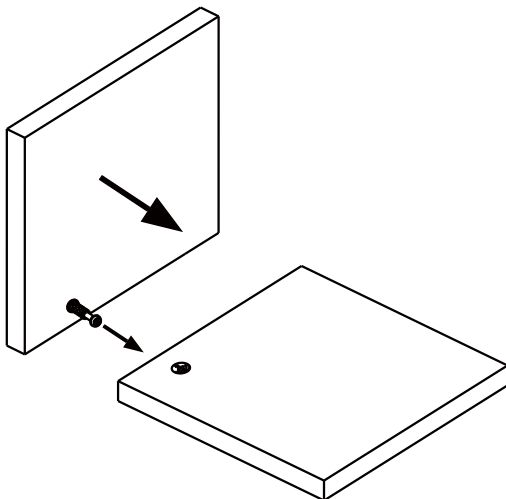
1.



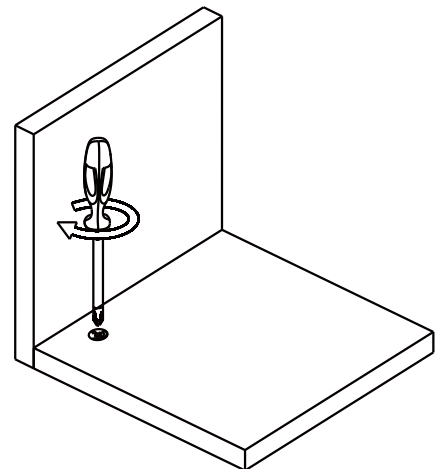
2.



3.



4.

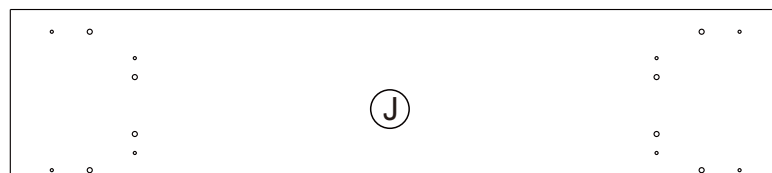
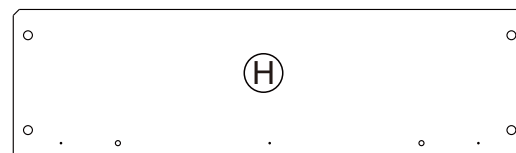
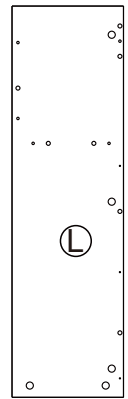
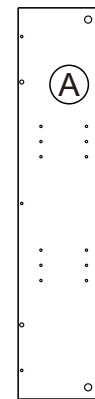
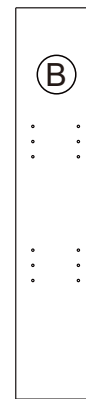
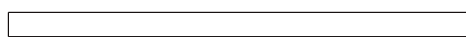
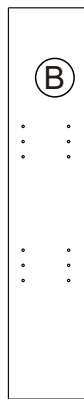
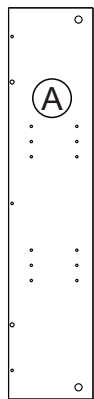
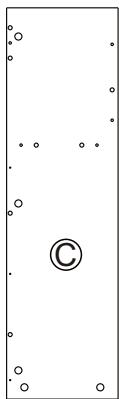
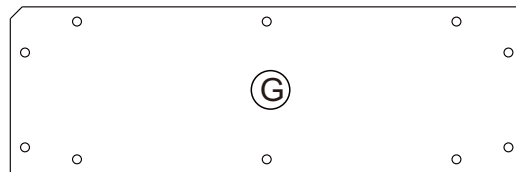
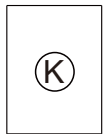
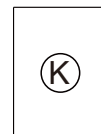
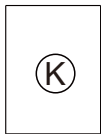
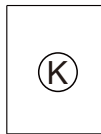
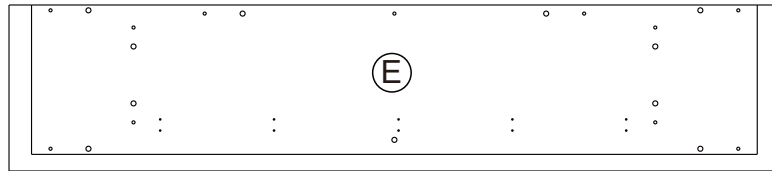


This cam lock fastening system will be used throughout the assembly process.

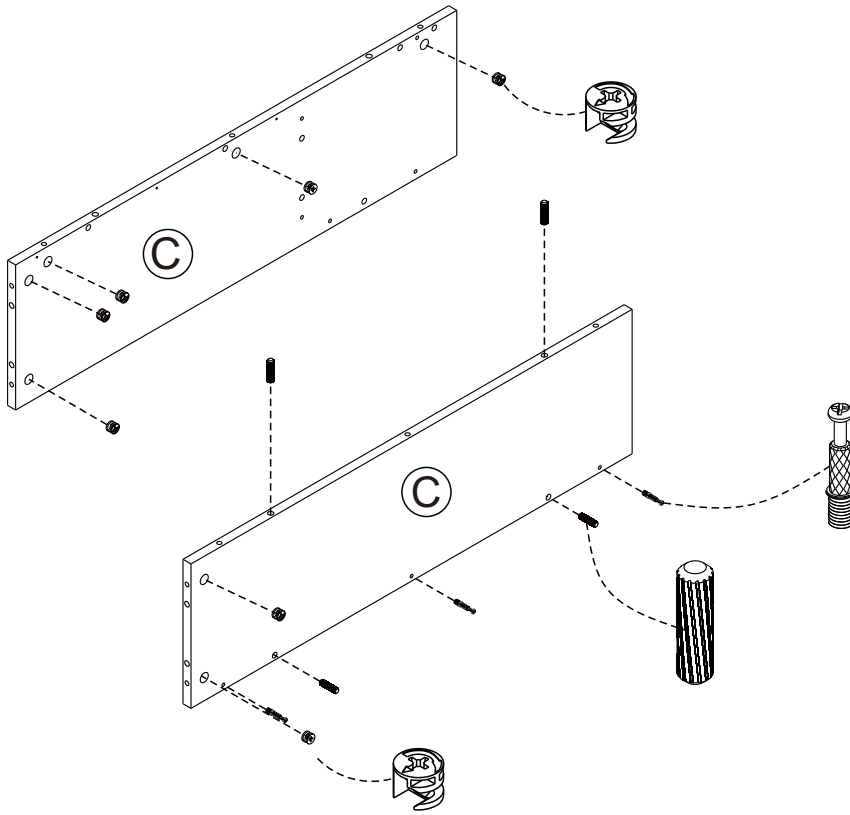
ASSEMBLY INSTRUCTIONS


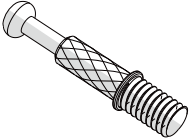
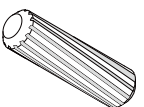
STEP 1

Take out all the parts, as shown on the floor. Please pay attention to protect the board surface.

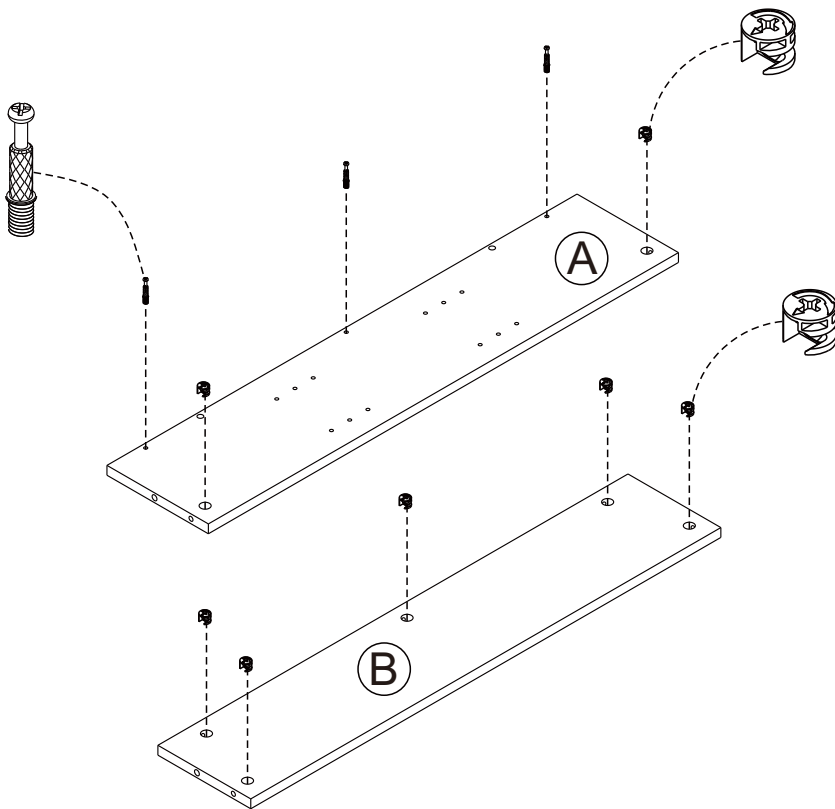



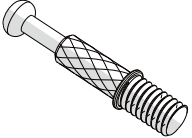
STEP 2



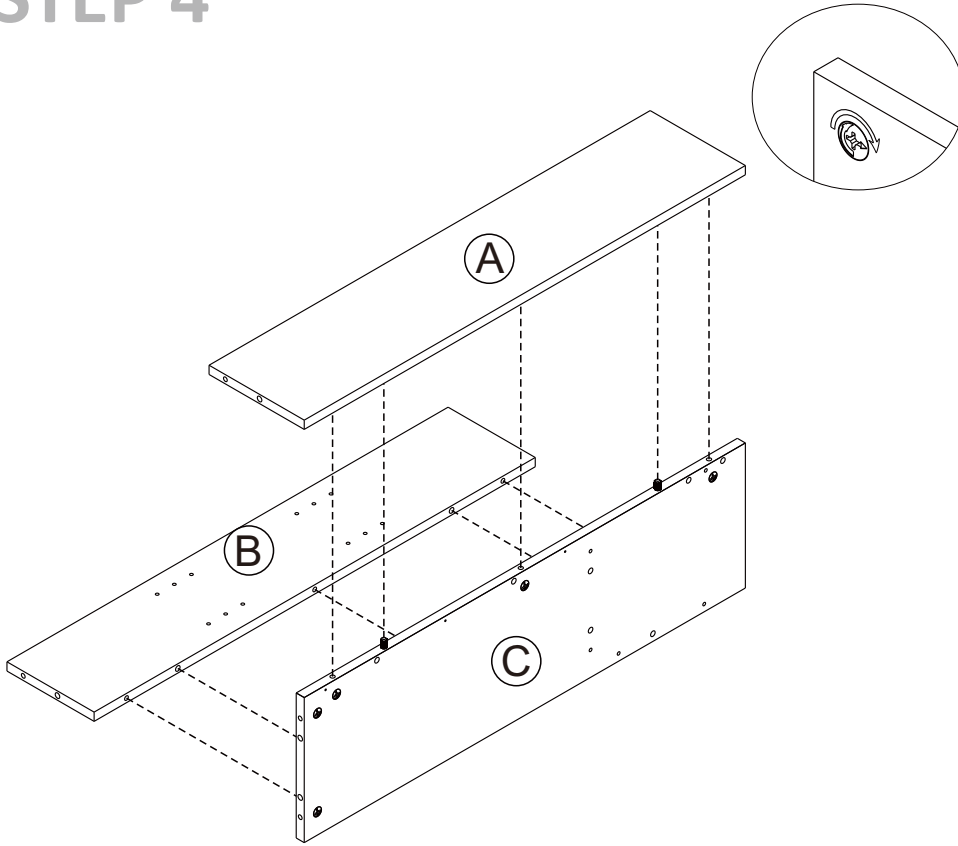
	cam lock	X7
	cam bolt	X3
	wood dowel	X4

STEP 3

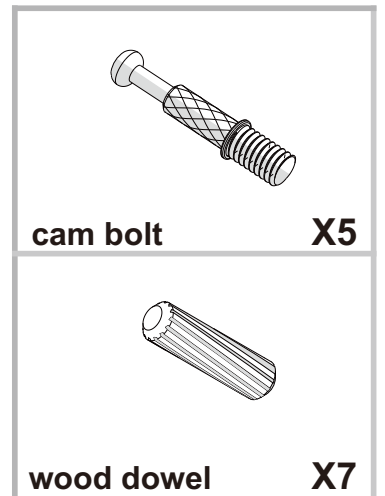
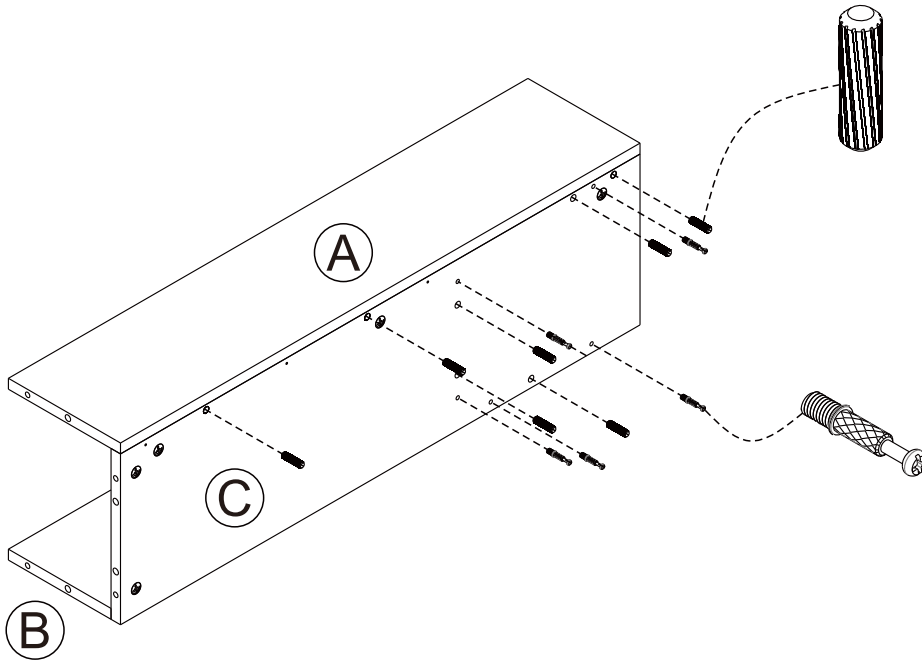


	cam lock	X7
	cam bolt	X3

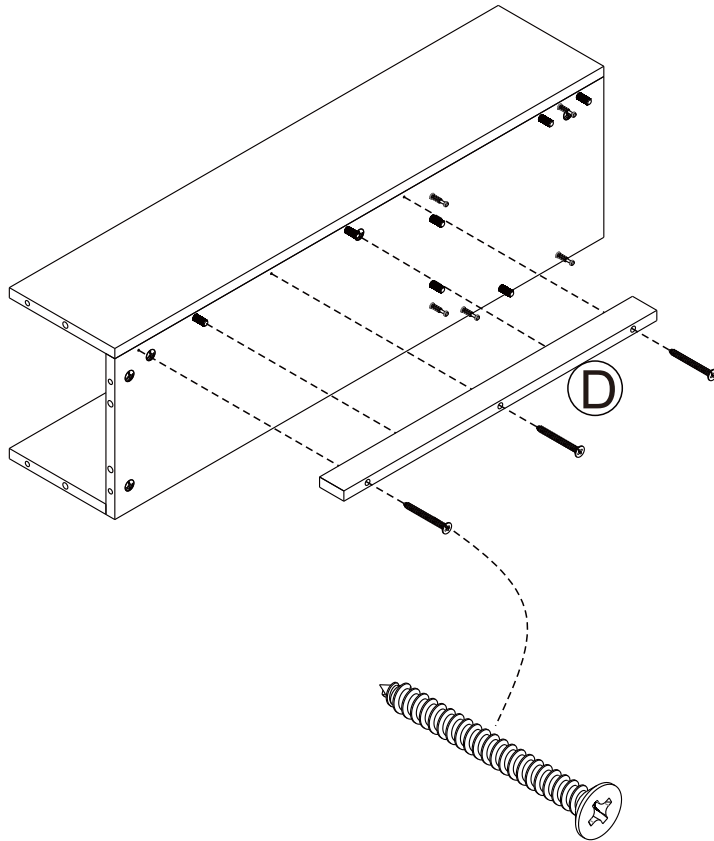
STEP 4



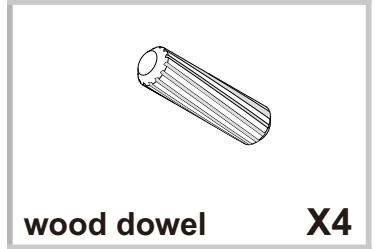
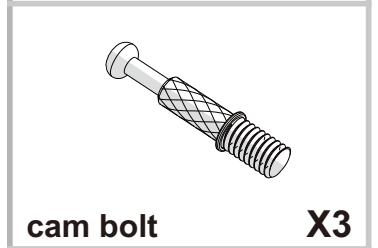
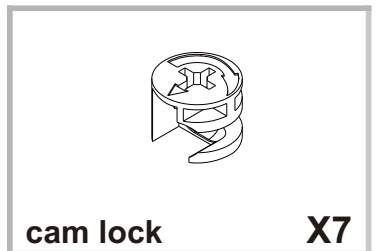
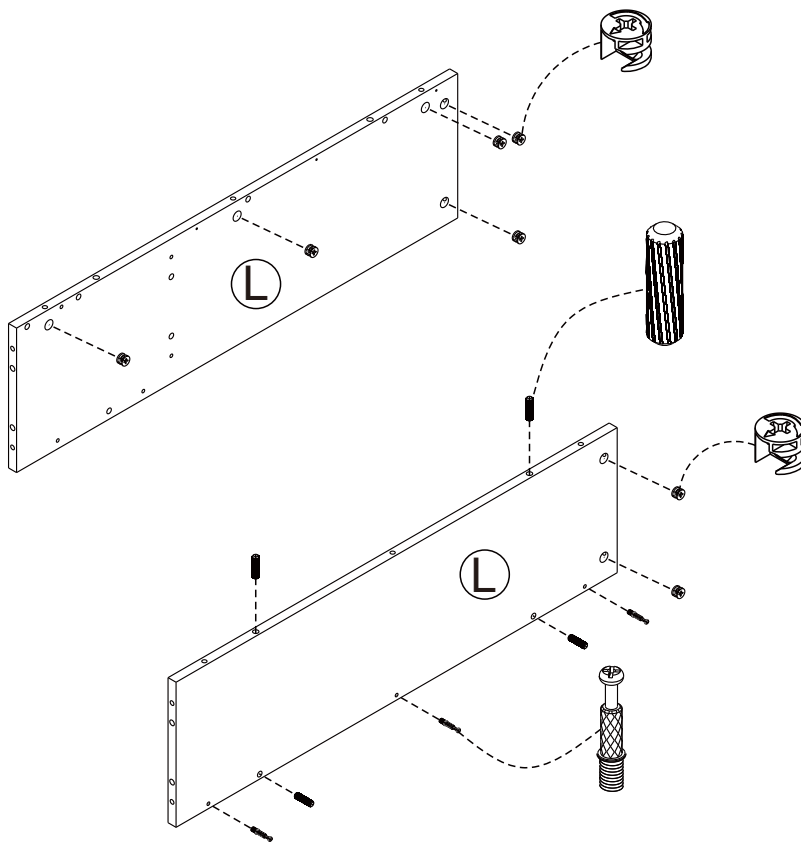
STEP 5



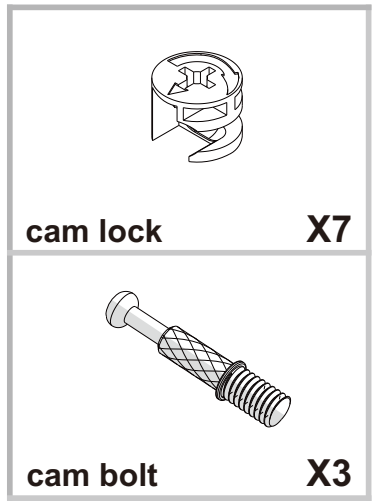
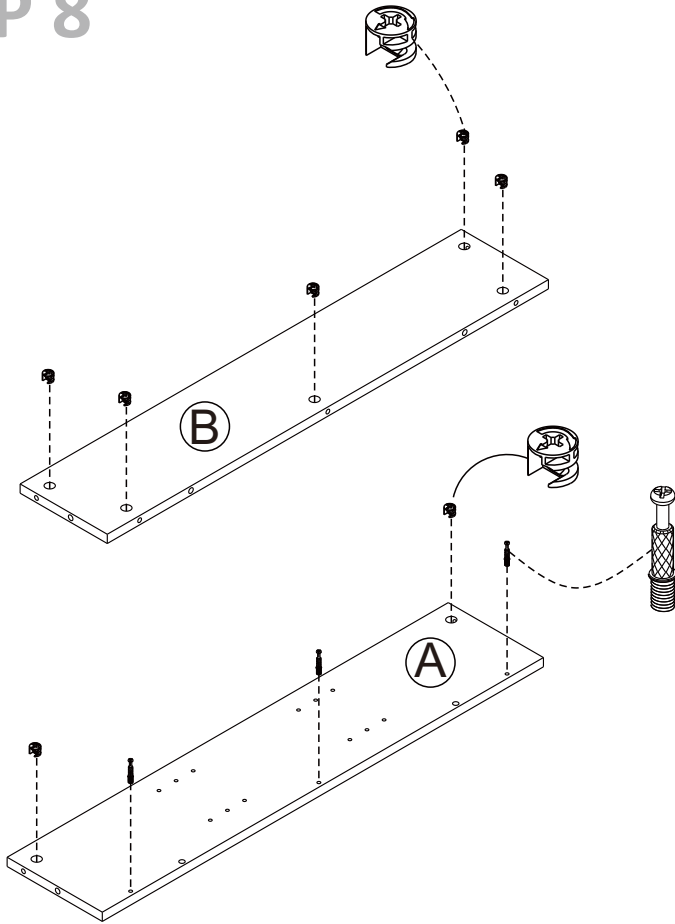
STEP 6



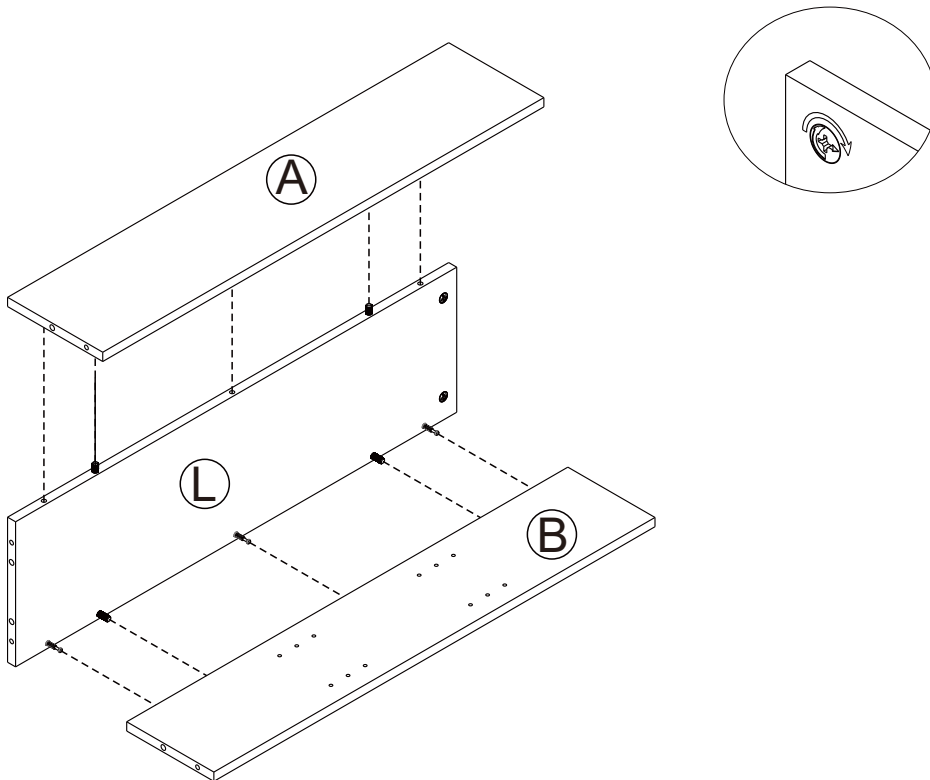
STEP 7



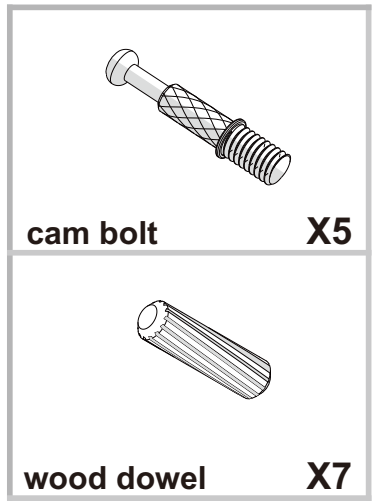
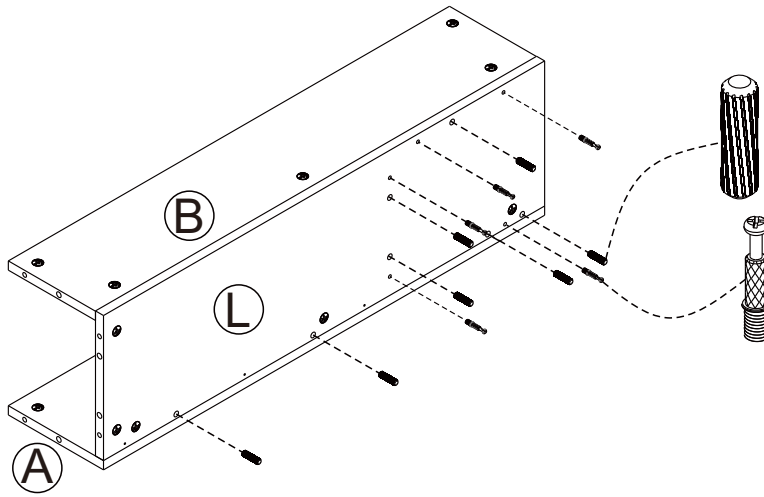
STEP 8



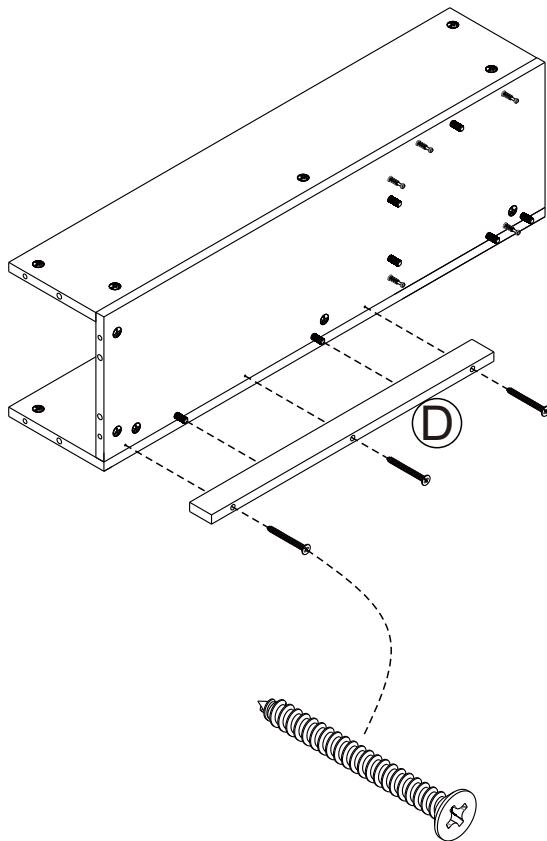
STEP 9



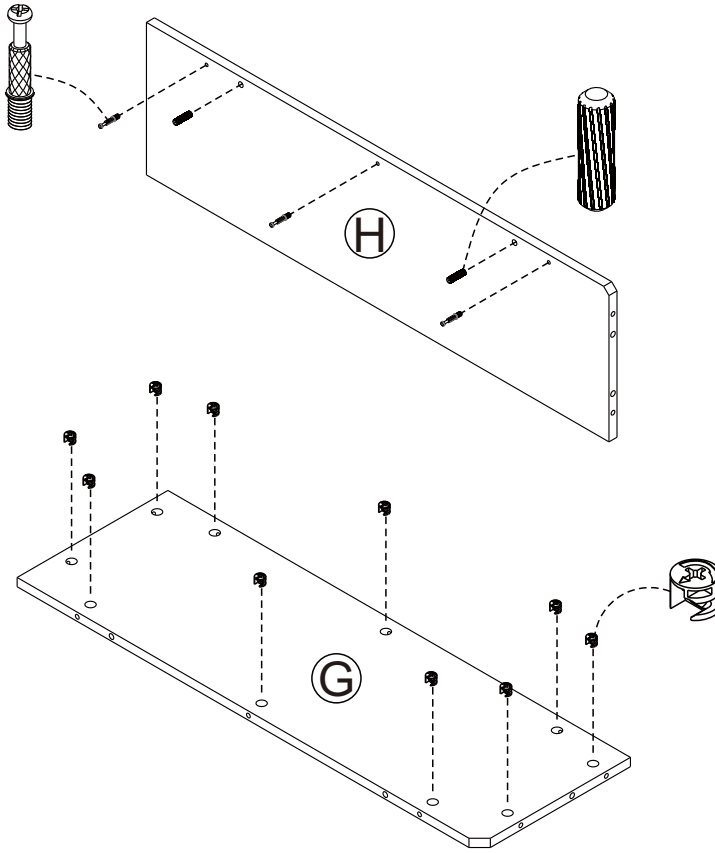
STEP 10

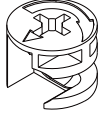
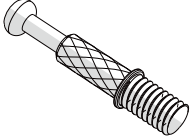
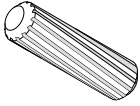


STEP 11

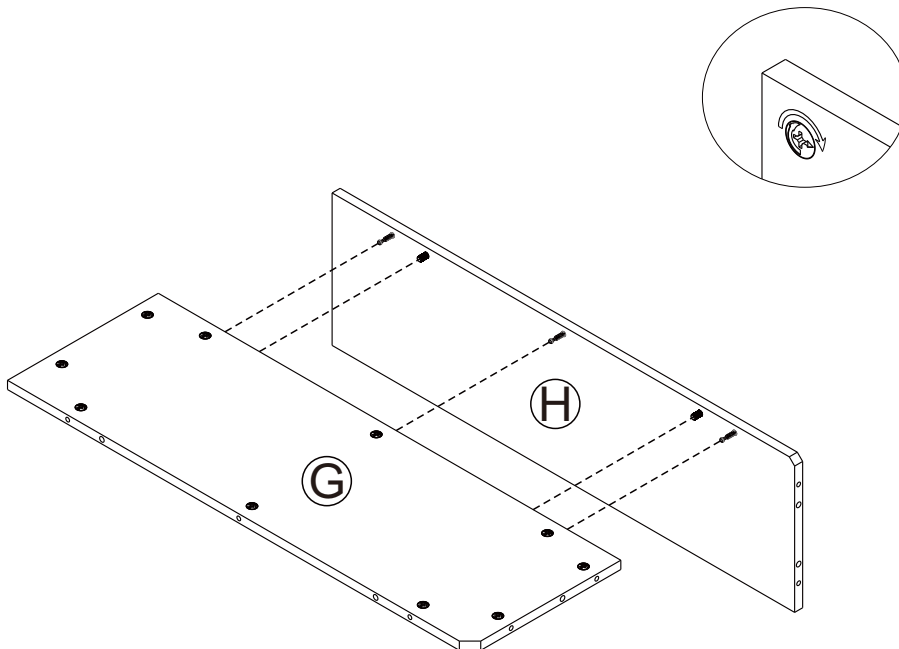


STEP 12

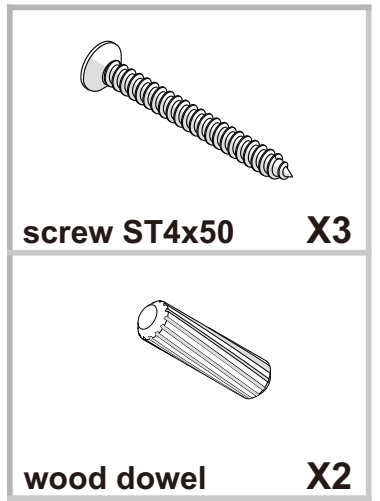
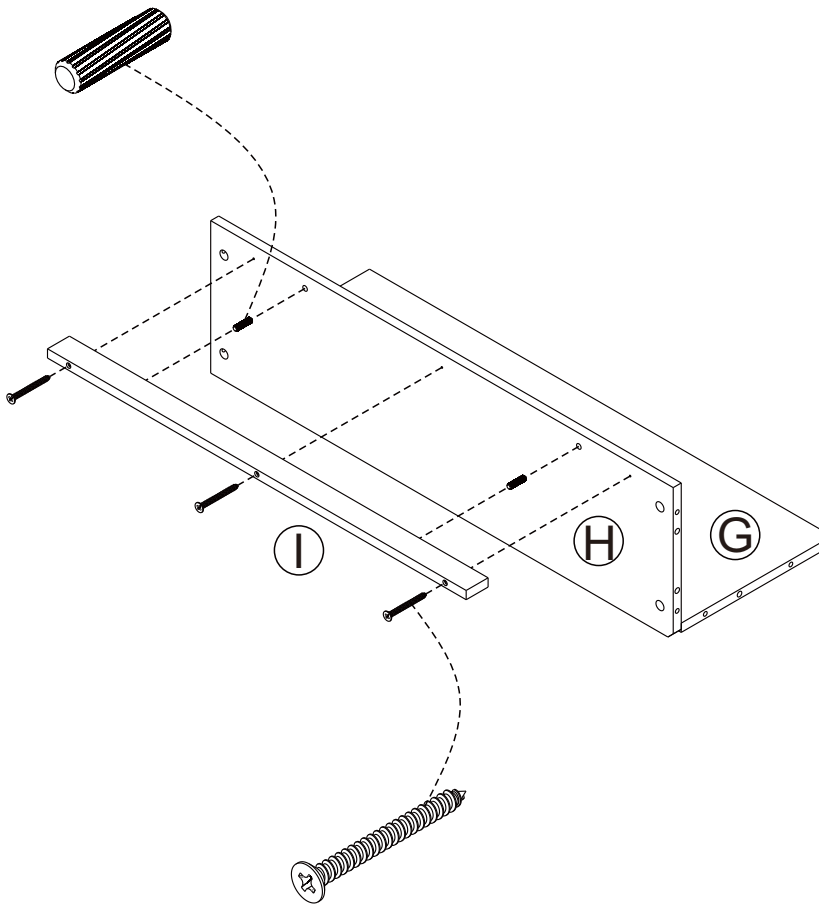


	cam lock	X10
	cam bolt	X3
	wood dowel	X2

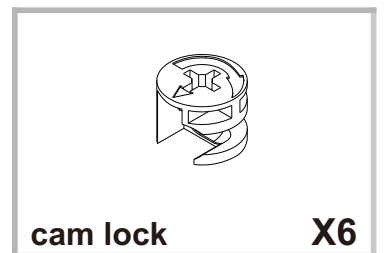
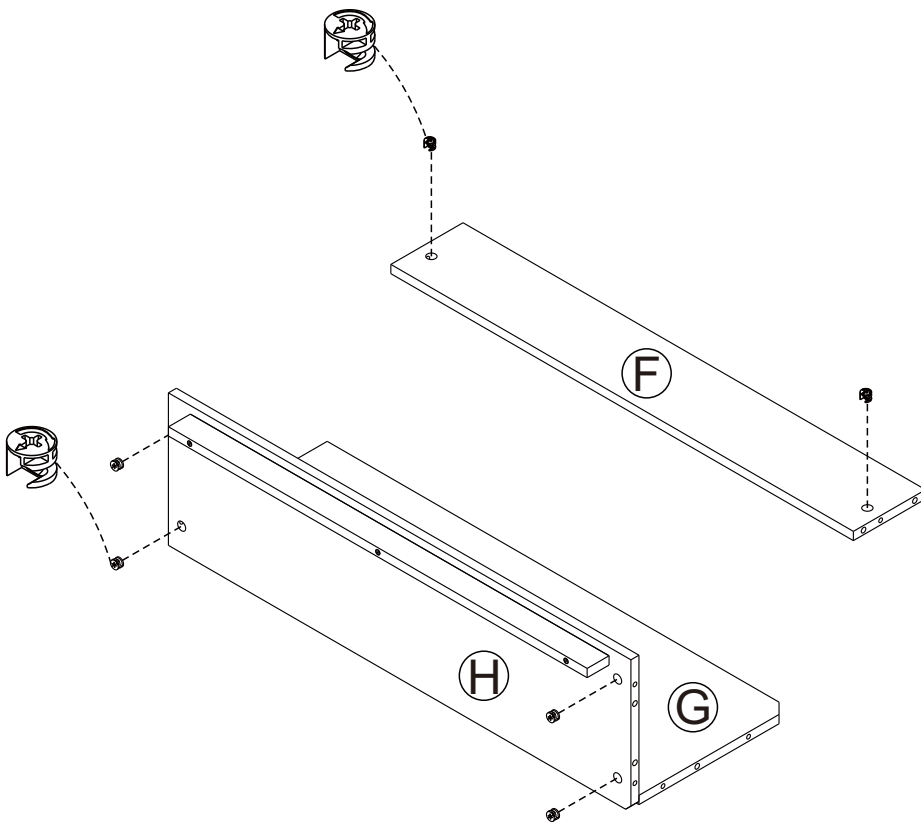
STEP 13



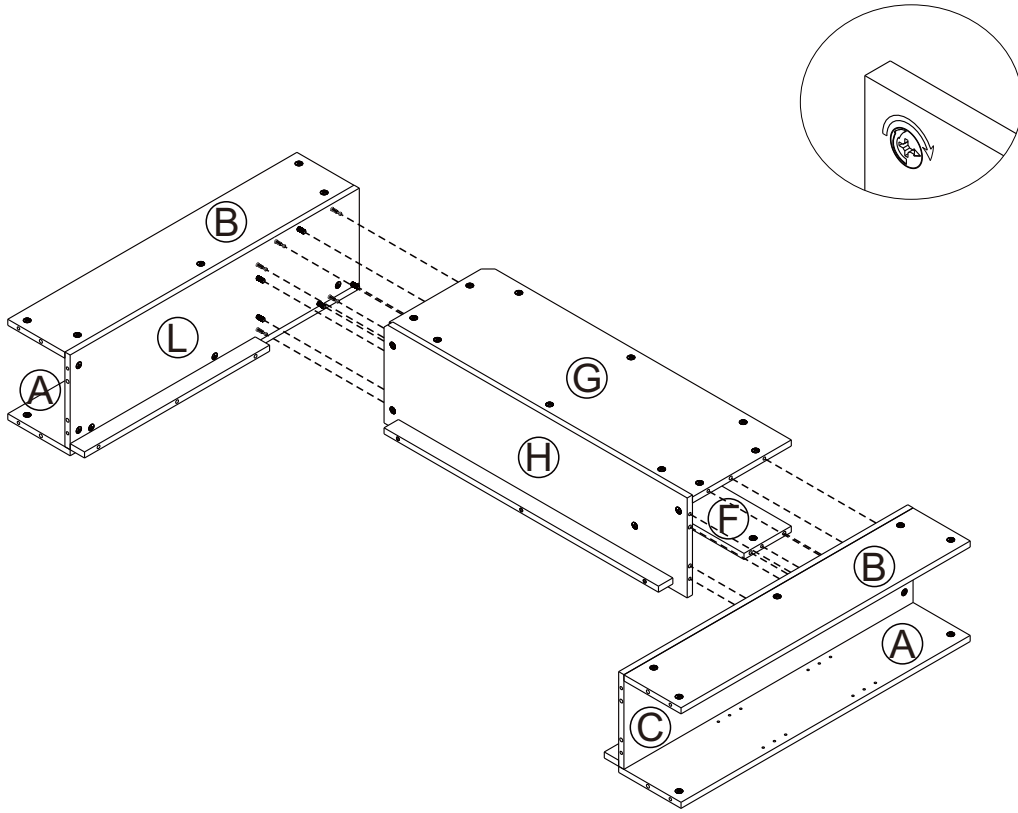
STEP 14



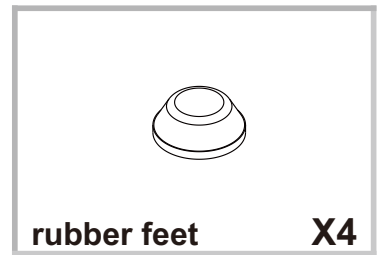
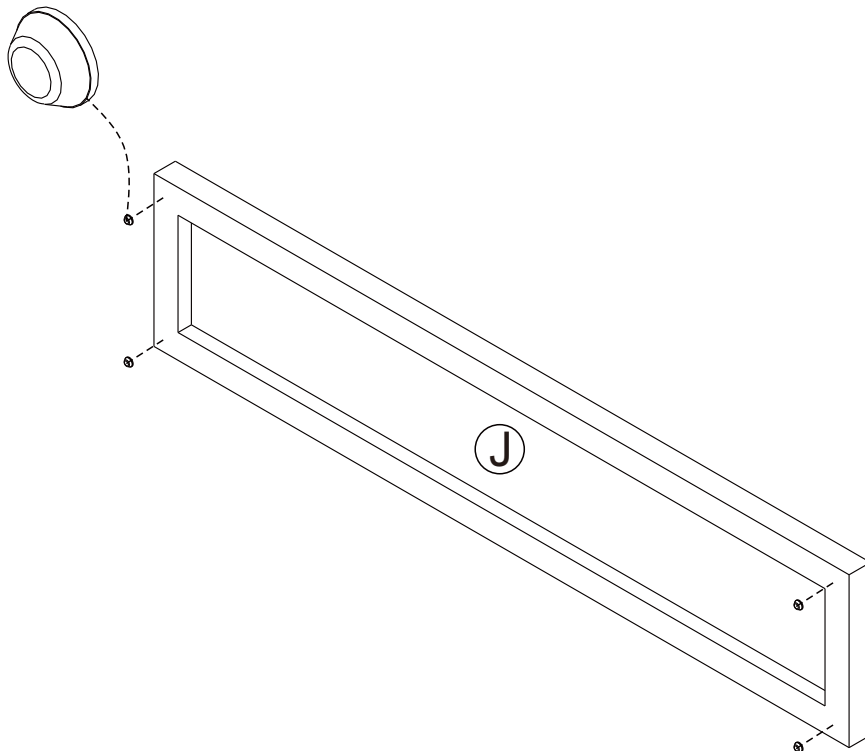
STEP 15



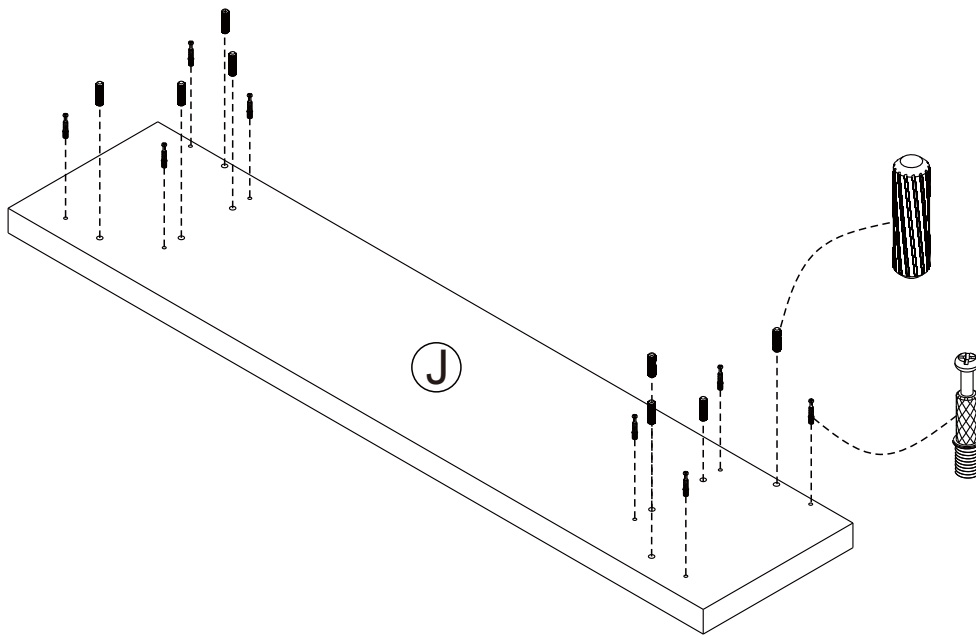
STEP 16



STEP 17



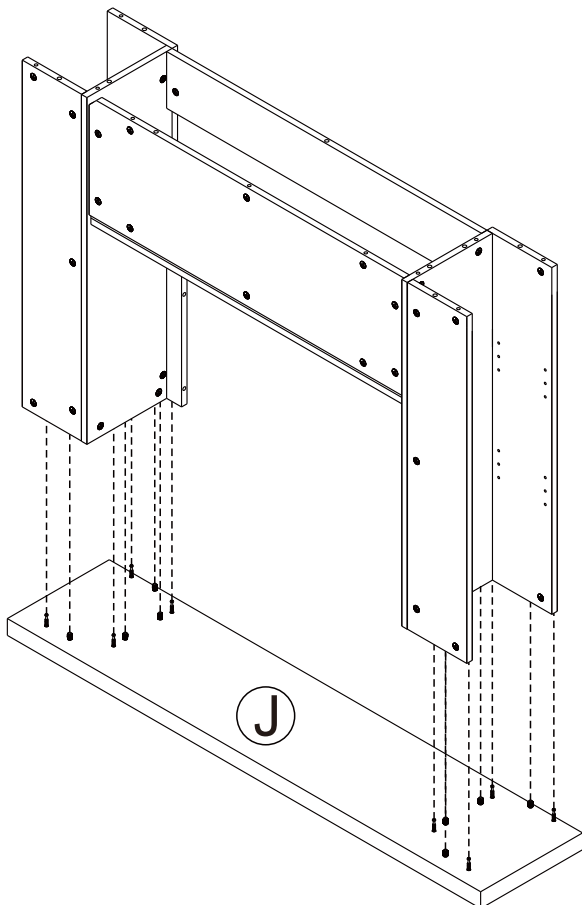
STEP 18



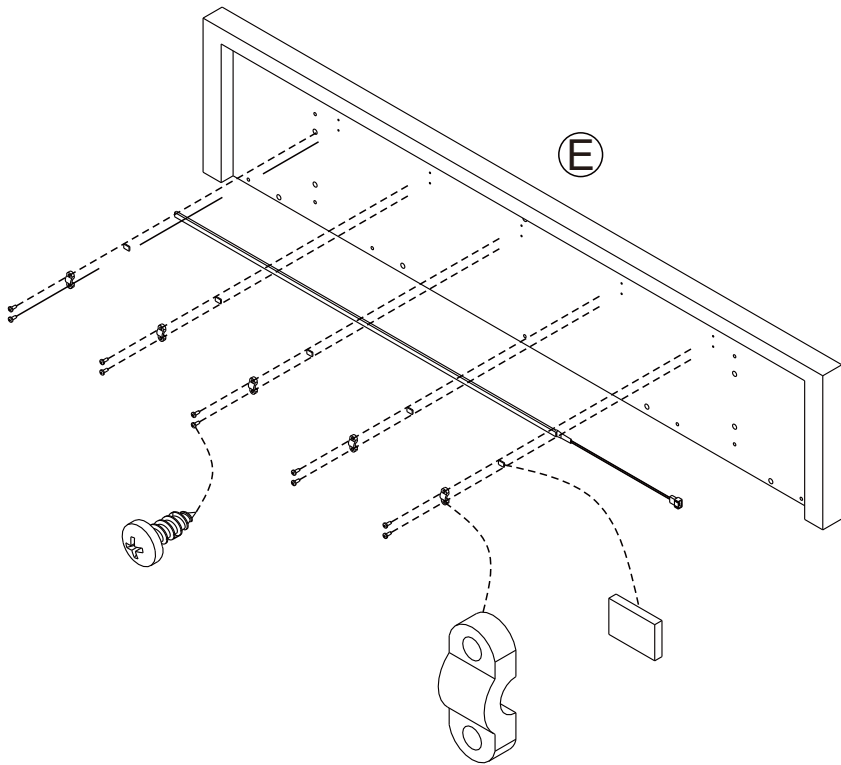
cam bolt X8

wood dowel X8

STEP 19

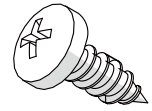
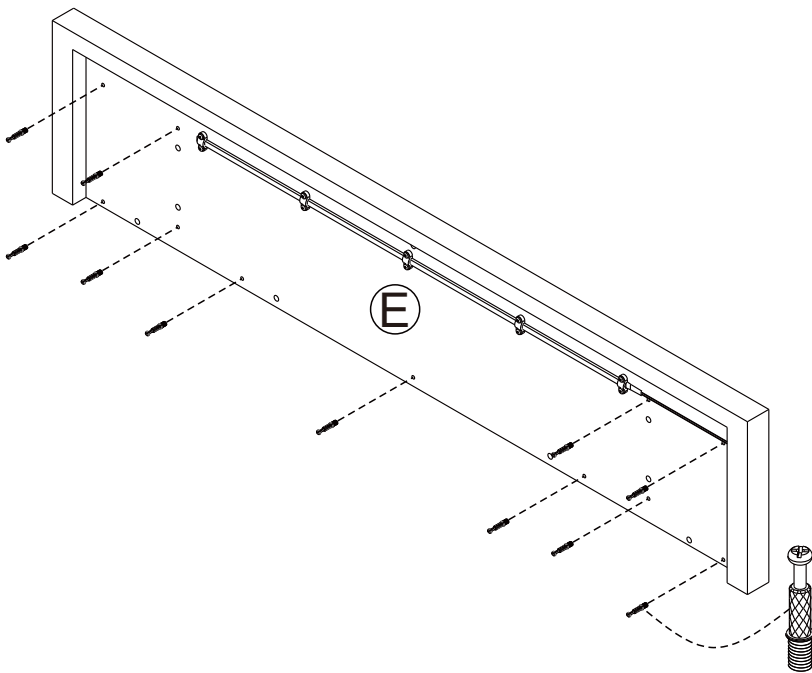


STEP 20



Uncover the paper on the foams and stick them on the moodlight strip, use the clamps and screws to fix them on the panel. Make sure the strip is fixed as above or it will influence the moodlight effect.

STEP 21



screw ST4x12 X10



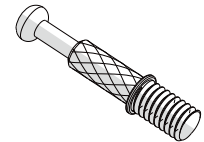
foam X5



clamp X5

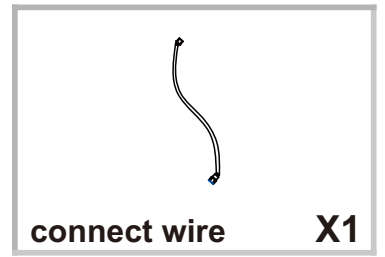
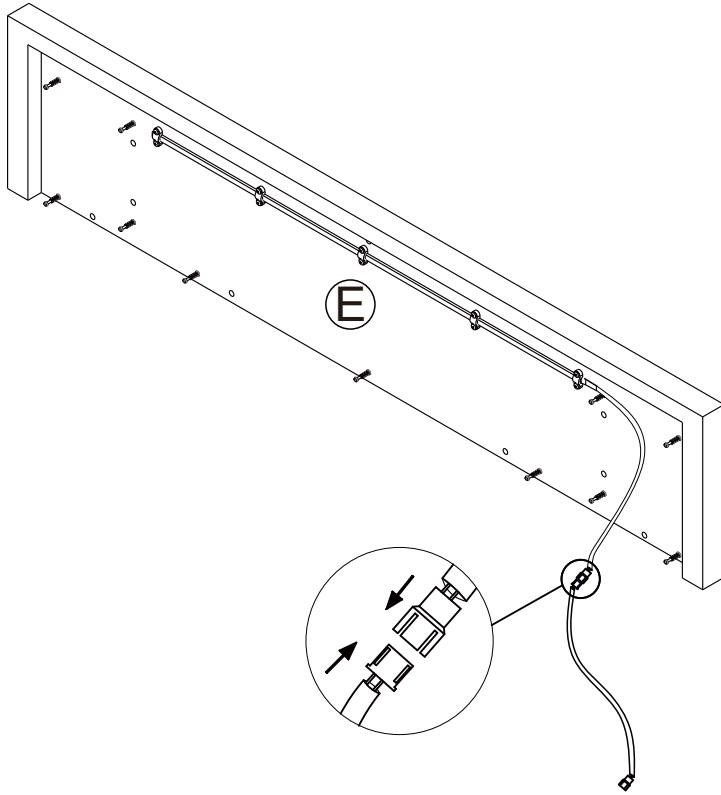


moodlight strip X1

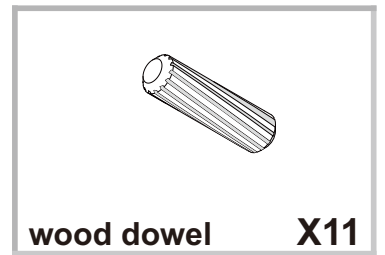
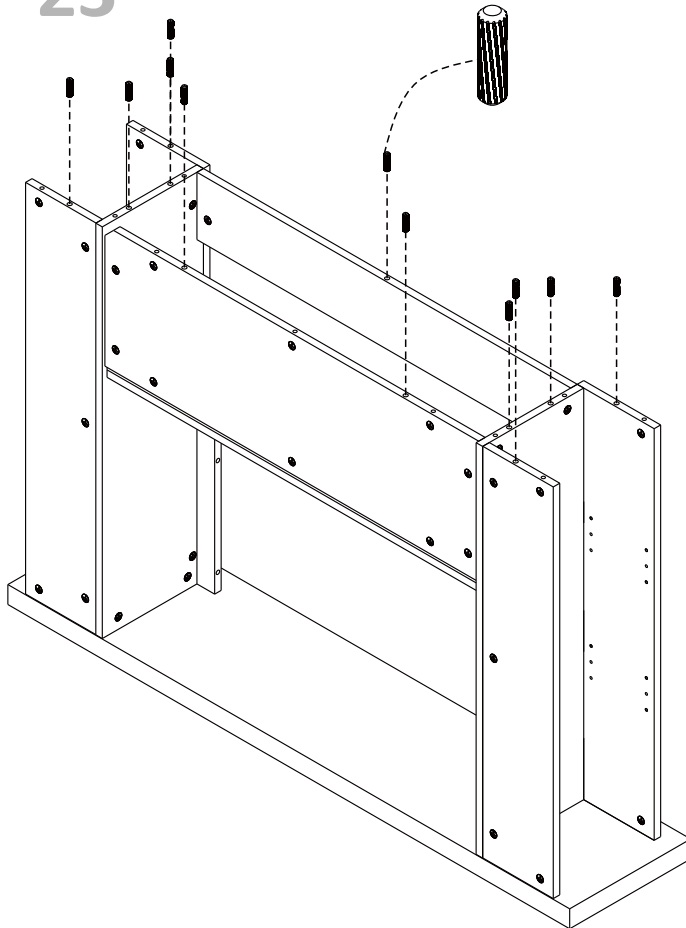


cam bolt X11

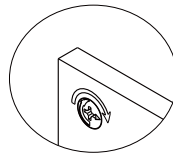
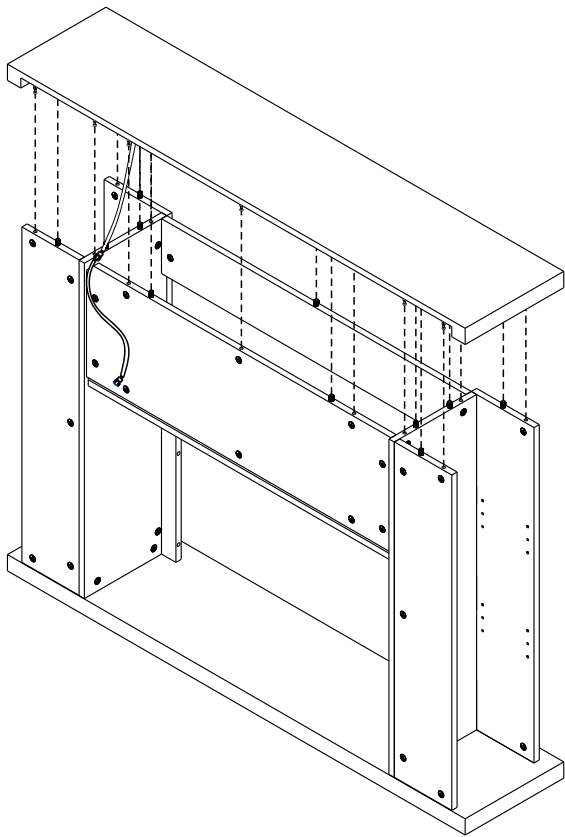
STEP 22



STEP 23

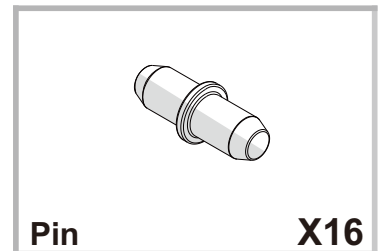
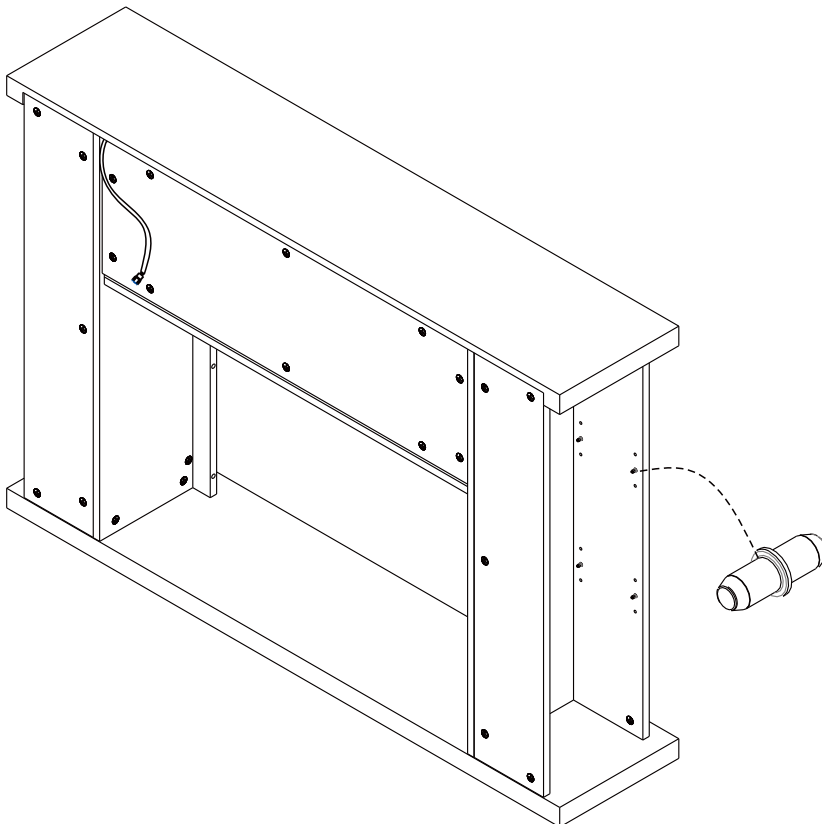


STEP 24



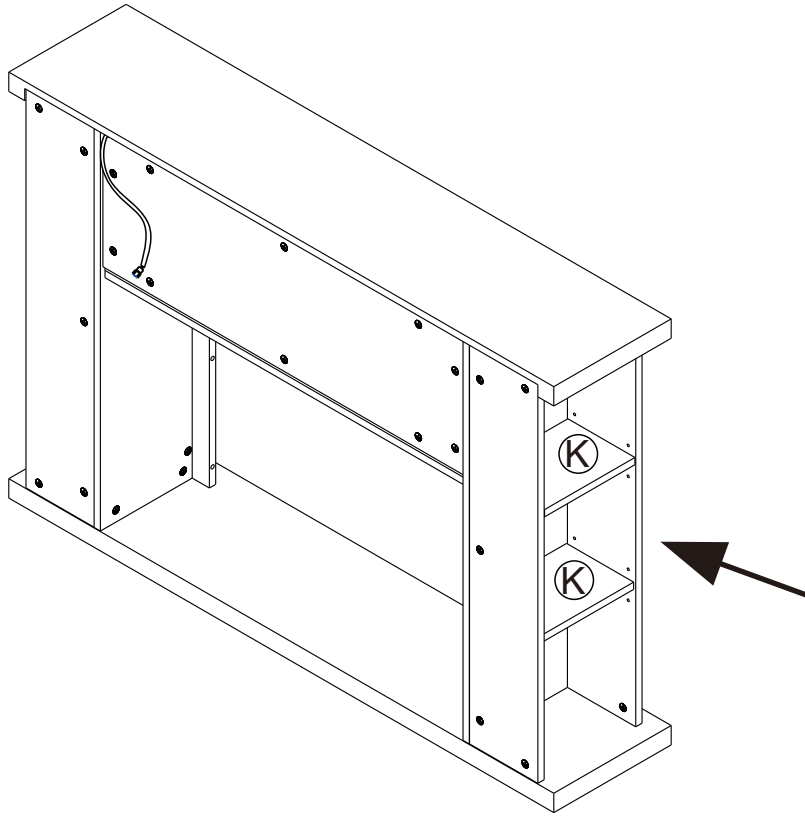
Arrange the connect wire into the slot.

STEP 25

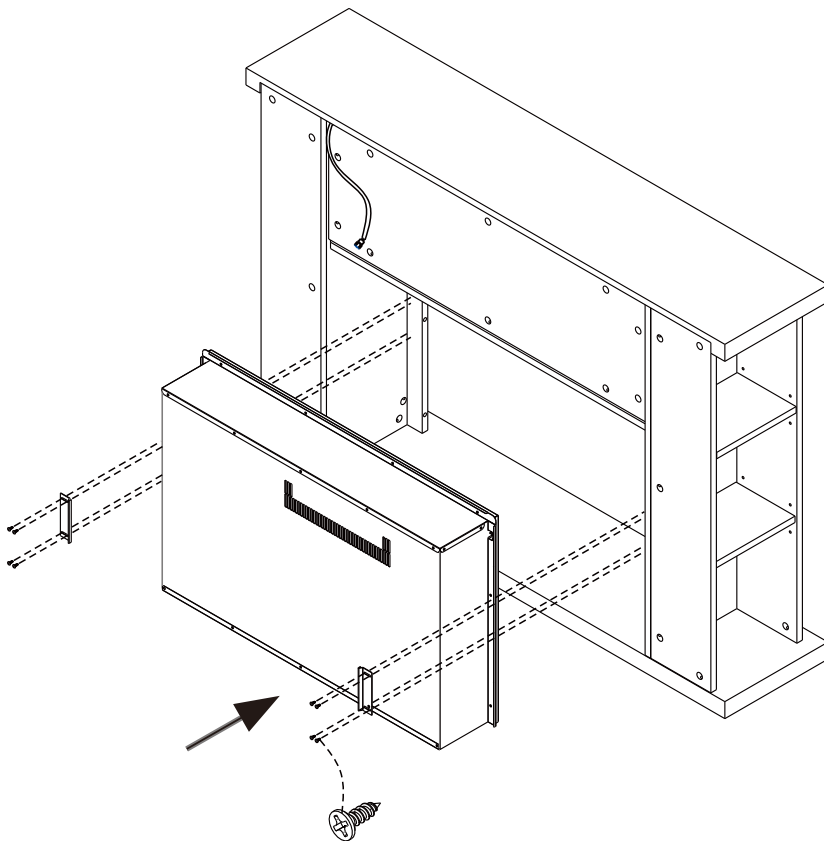


Many holes available for different height of the shelves.

STEP 26

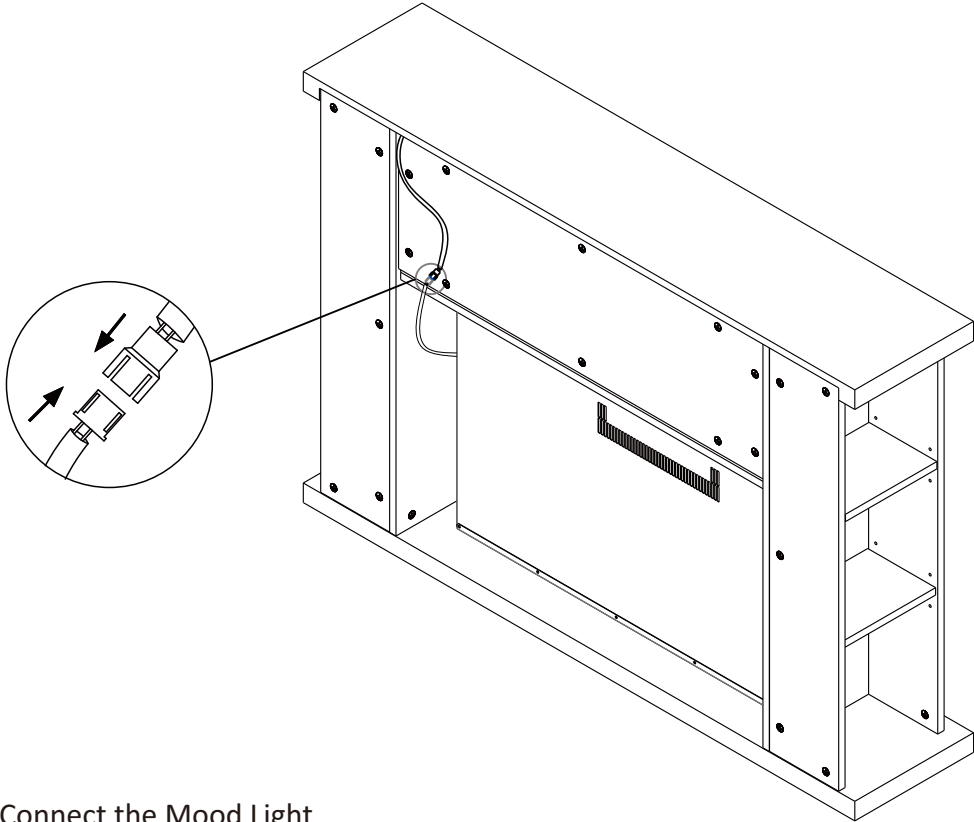


STEP 27



Use 8pcs ST3.5 × 12 screws

STEP 28



Connect the Mood Light

Distributor: Moddelo Ltd
Deansfield House
98 Lancaster Road
Newcastle under Lyme
Staffordshire, ST5 1DS
England

Tel: 01785 719005

Email: customerservice@moddelo.co.uk
