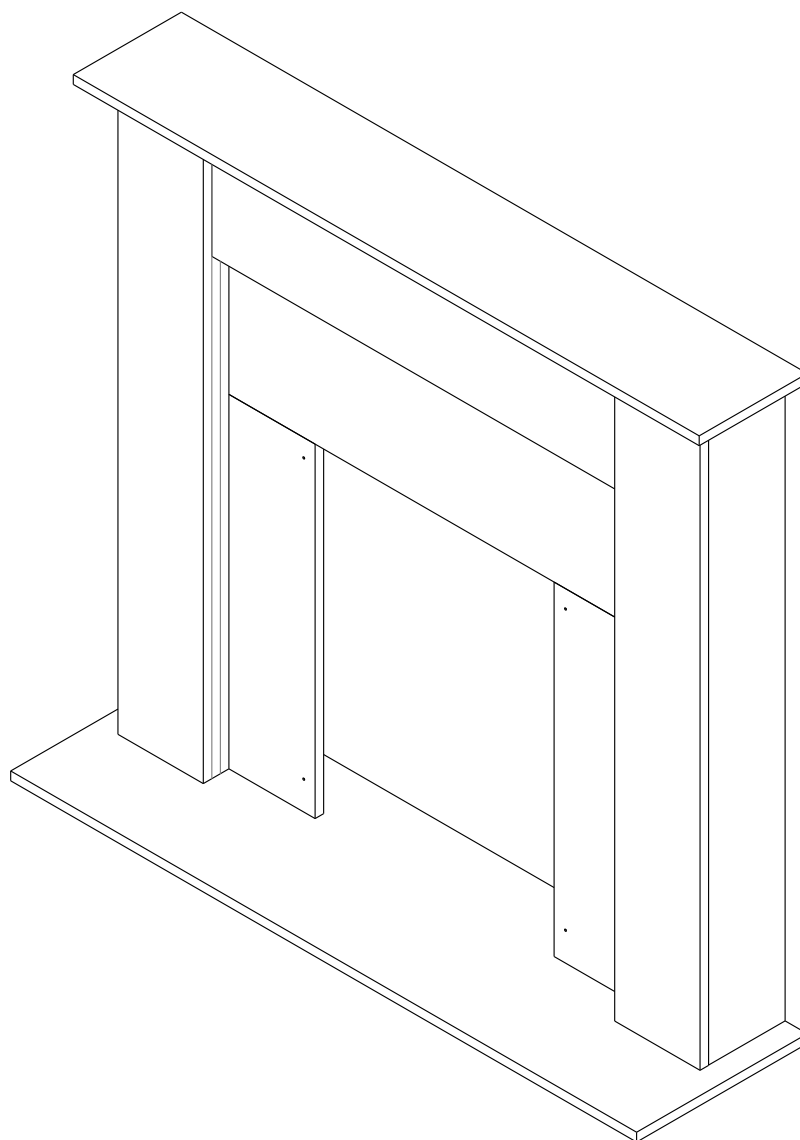


# **FIREPLACE MANTEL**

## **ASSEMBLY INSTRUCTIONS**

### **MT513A**



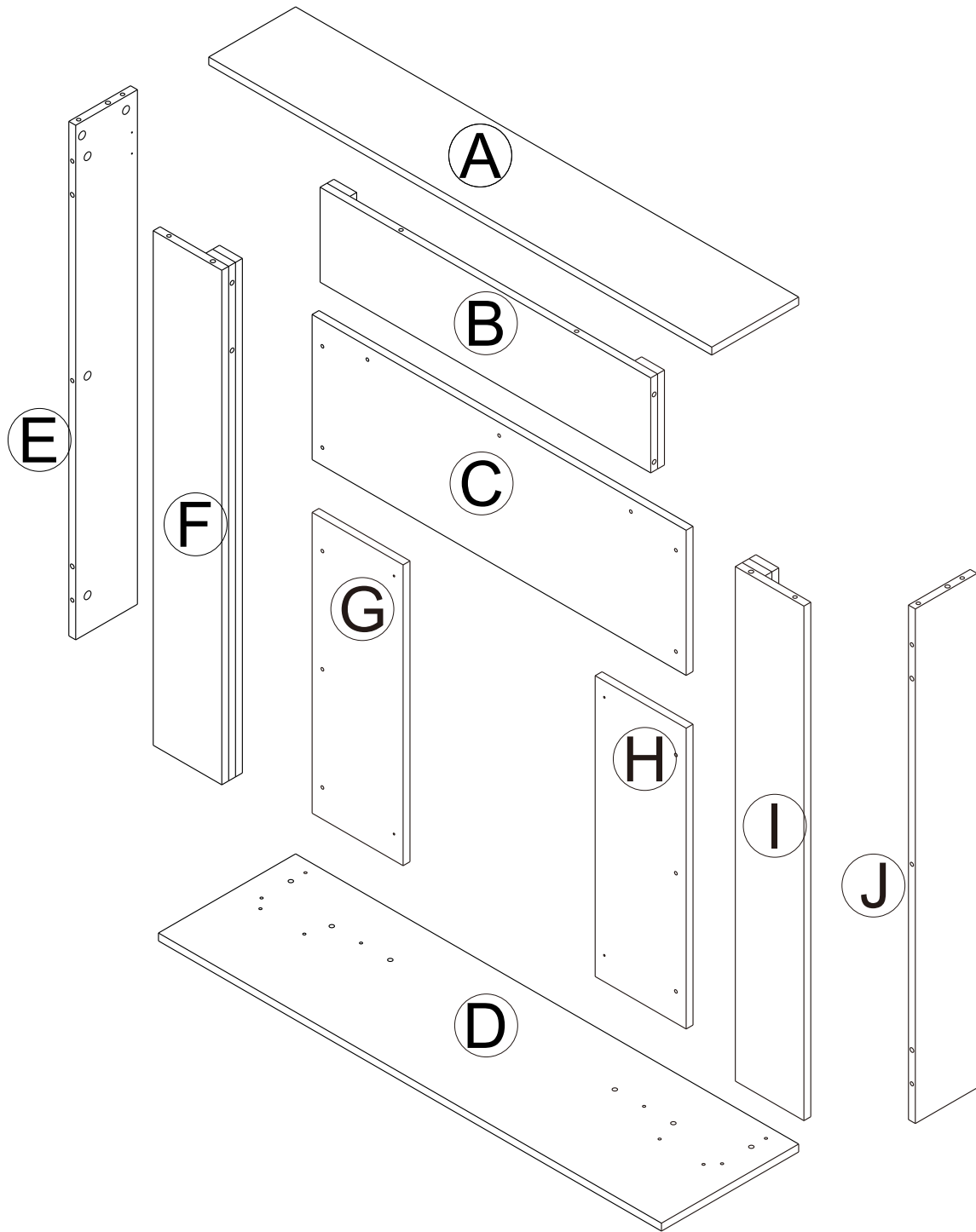
If you have a problem with this product, **DO NOT RETURN.**

Call our customer service ,Tel: 01785 719005, or


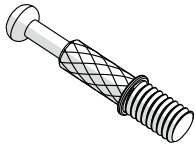
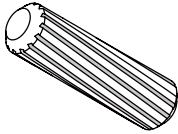
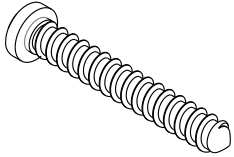
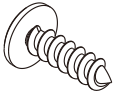
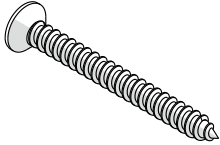
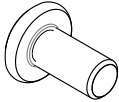
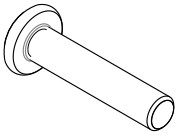
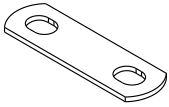
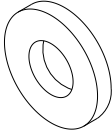
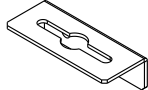
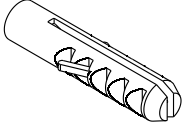

E-mail: [customerservice@moddelo.co.uk](mailto:customerservice@moddelo.co.uk)



# PARTS LIST

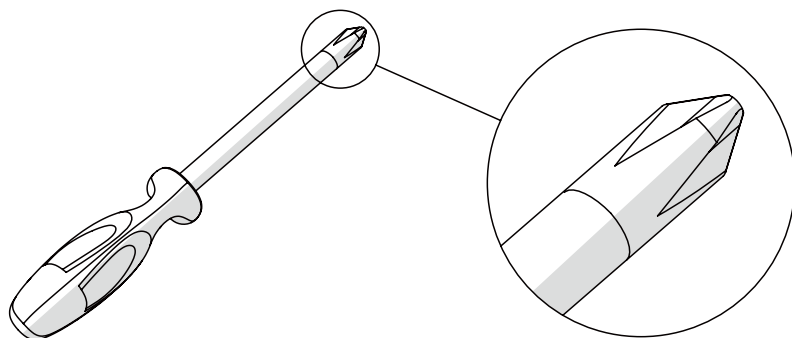


# ACCESSORIES

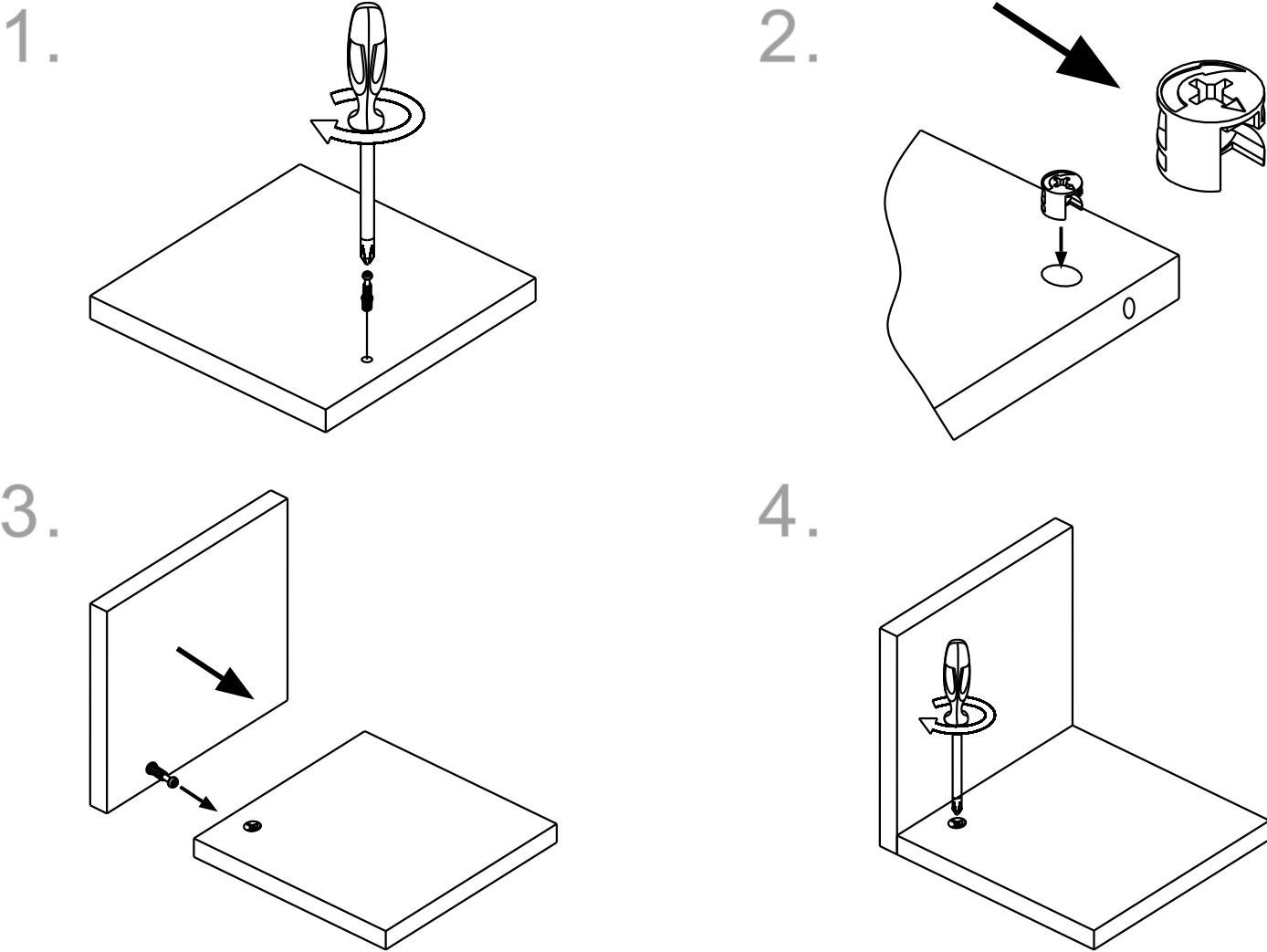
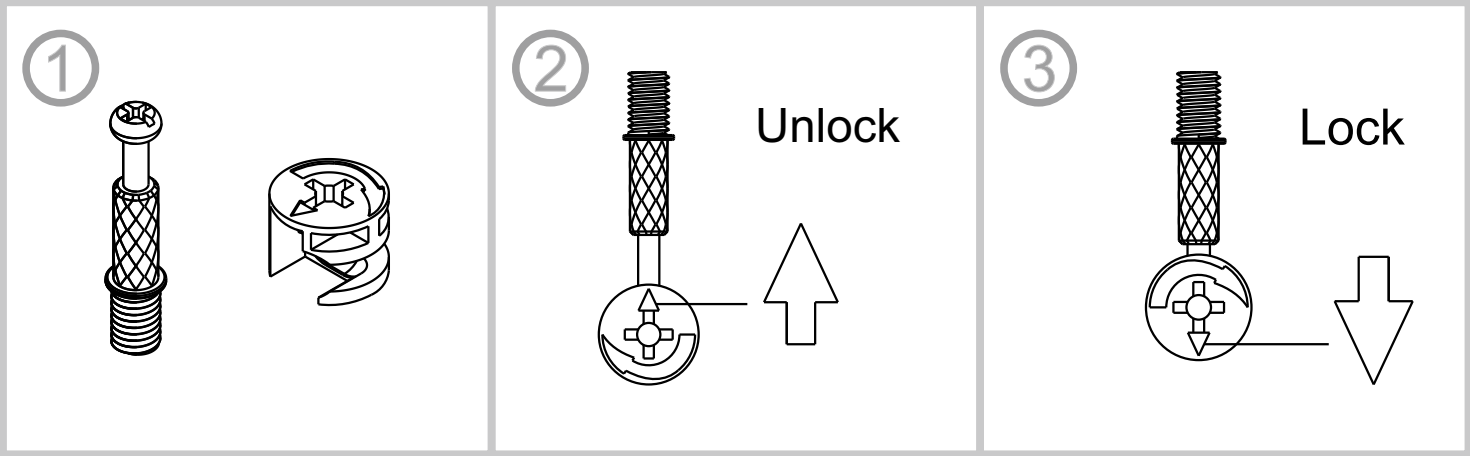
 <p>cam lock <b>x14+1</b></p>	 <p>cam bolt <b>x14+1</b></p>	 <p>wood dowel <b>x18+1</b></p>	 <p>screw ST5x40 <b>x2</b></p>
 <p>screw ST4x12 <b>x4</b></p>	 <p>screw ST4x40 <b>x10+1</b></p>	 <p>screw M6x12 <b>x12+1</b></p>	 <p>screw M6x28 <b>x13+1</b></p>
 <p>Long bracket <b>x6+1</b></p>	 <p>washer <b>x13+1</b></p>	 <p>L bracket <b>x2</b></p>	 <p>wall plug <b>x2</b></p>
 <p>pad <b>x4+1</b></p>			

# TOOLS REQUIRED

A screwdriver will be needed



# CAM LOCK FASTENING SYSTEM

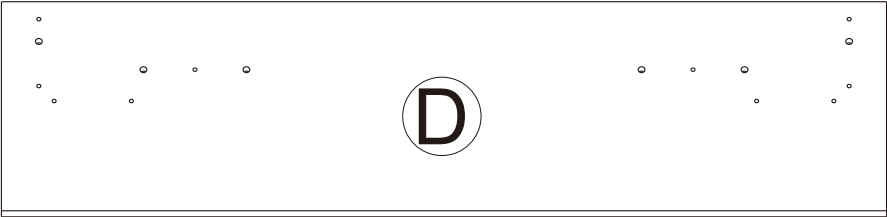
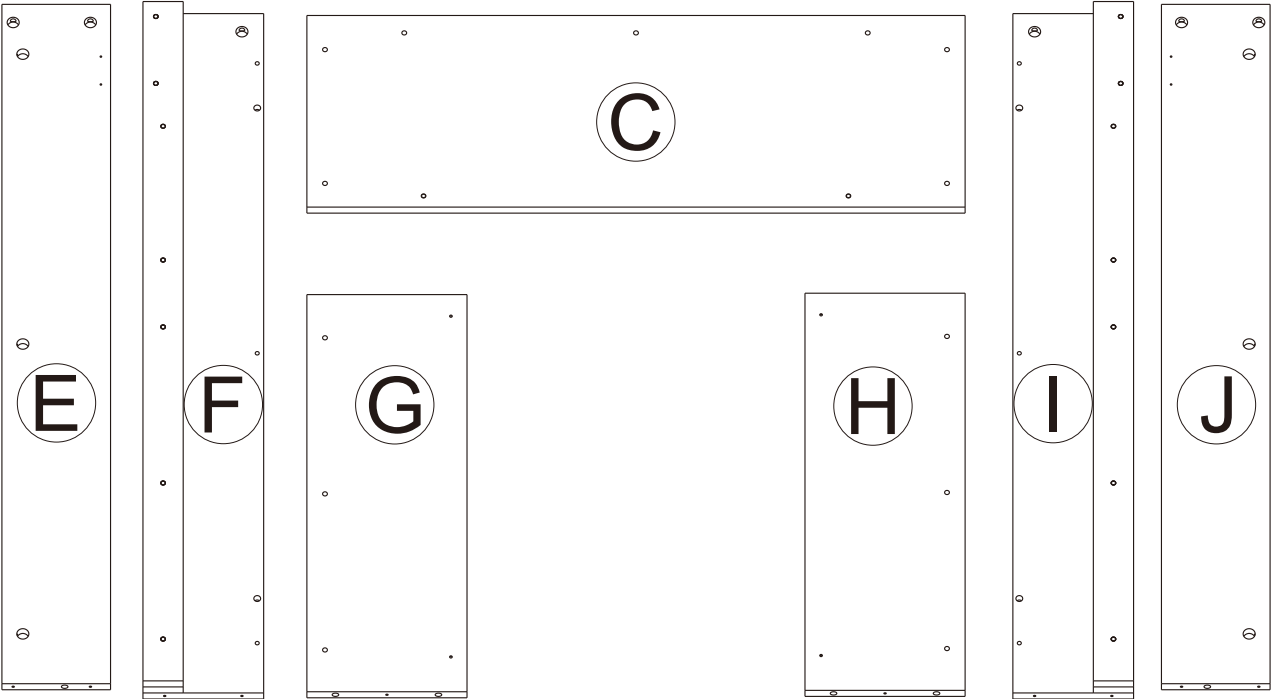
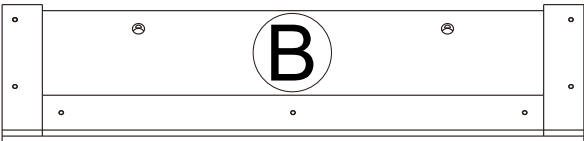
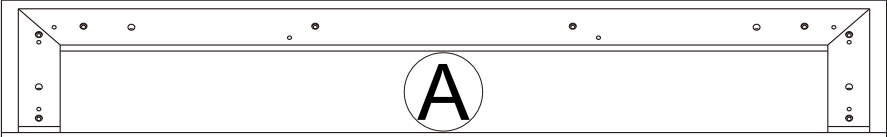


This cam lock fastening system will be used throughout the assembly process.

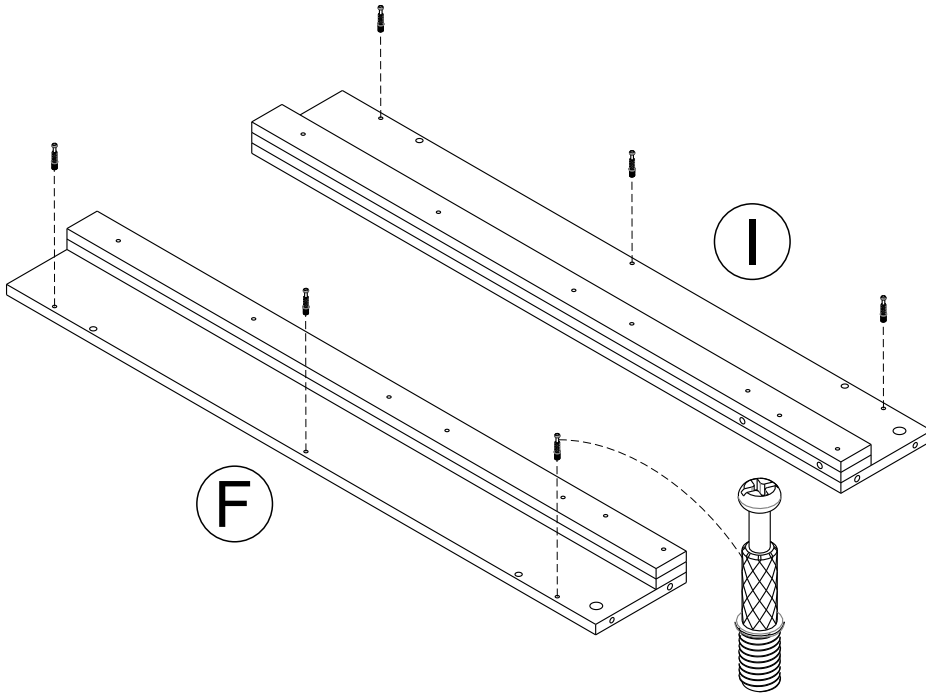
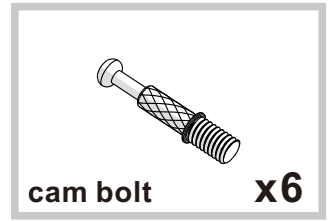
# ASSEMBLY INSTRUCTIONS

## STEP 1

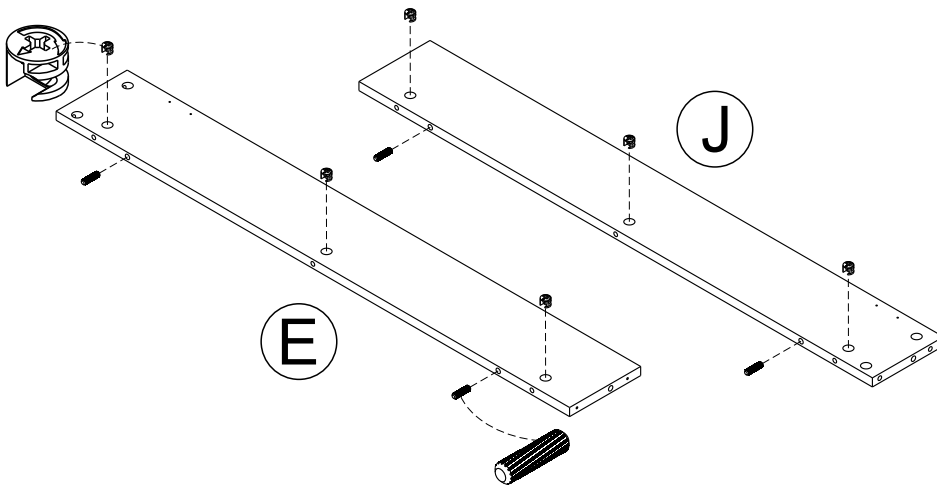
Take out all the parts, as shown on the floor. Please pay attention to protect the board surface.



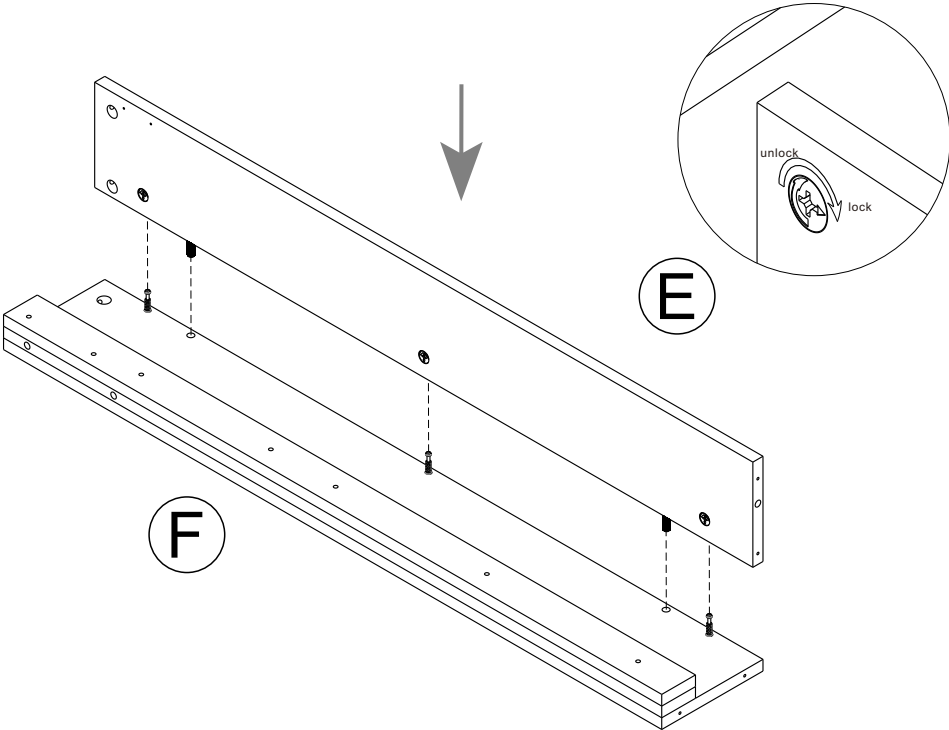
# STEP 2



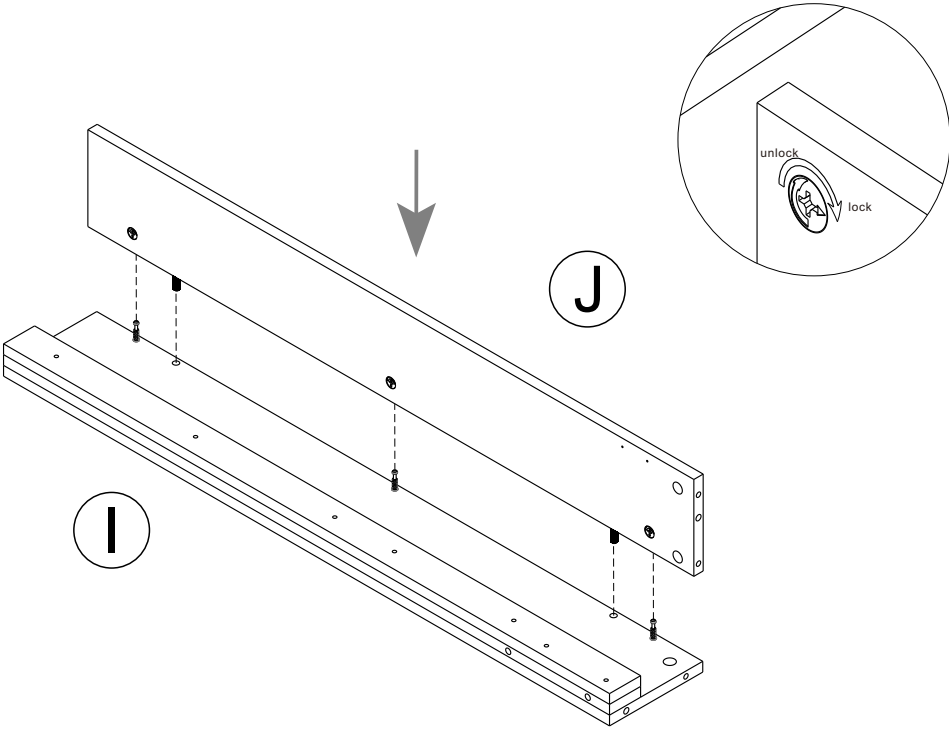
# STEP 3



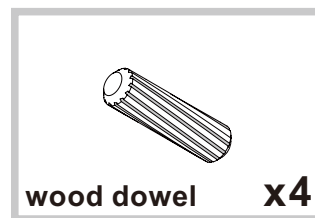
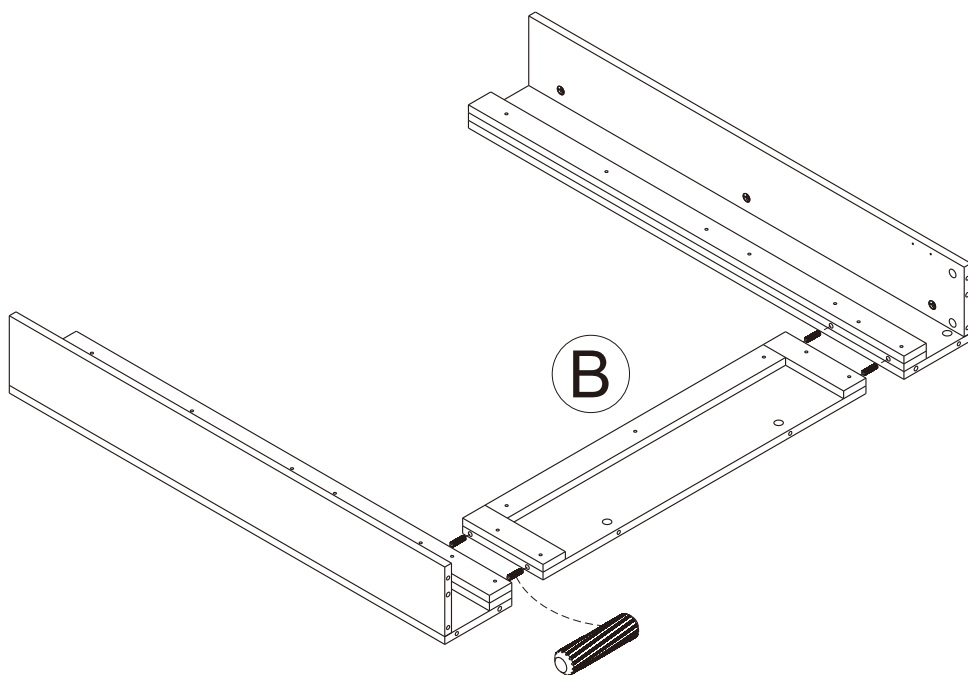
# STEP 4



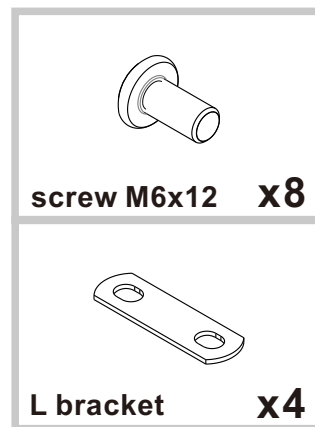
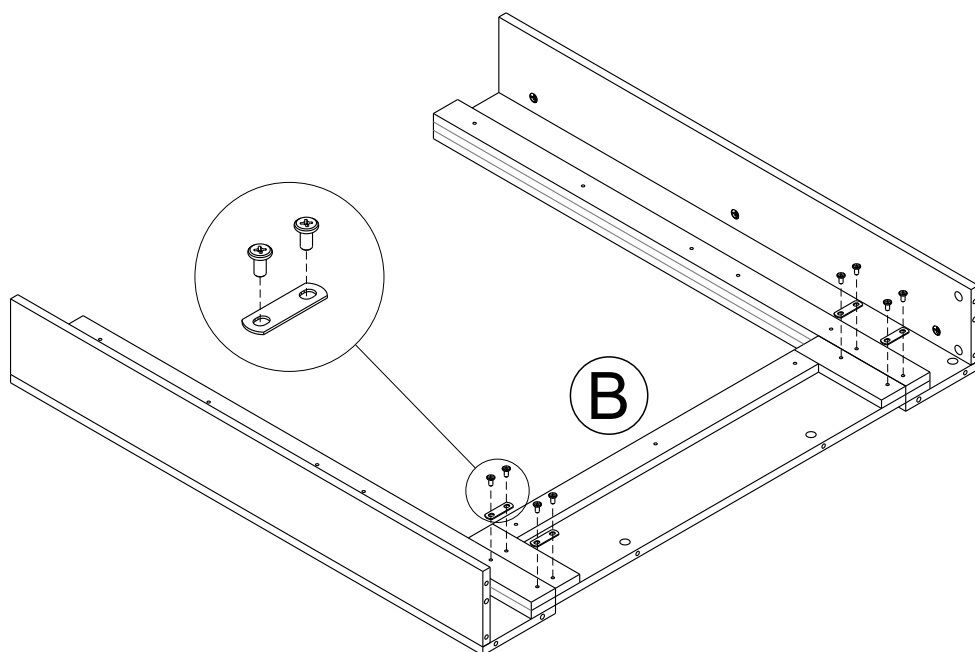
# STEP 5



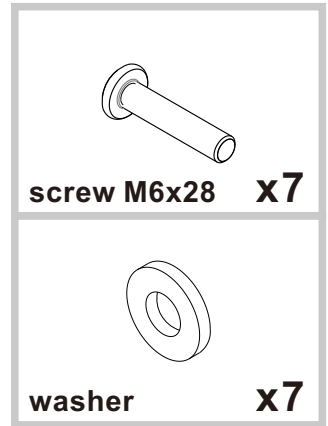
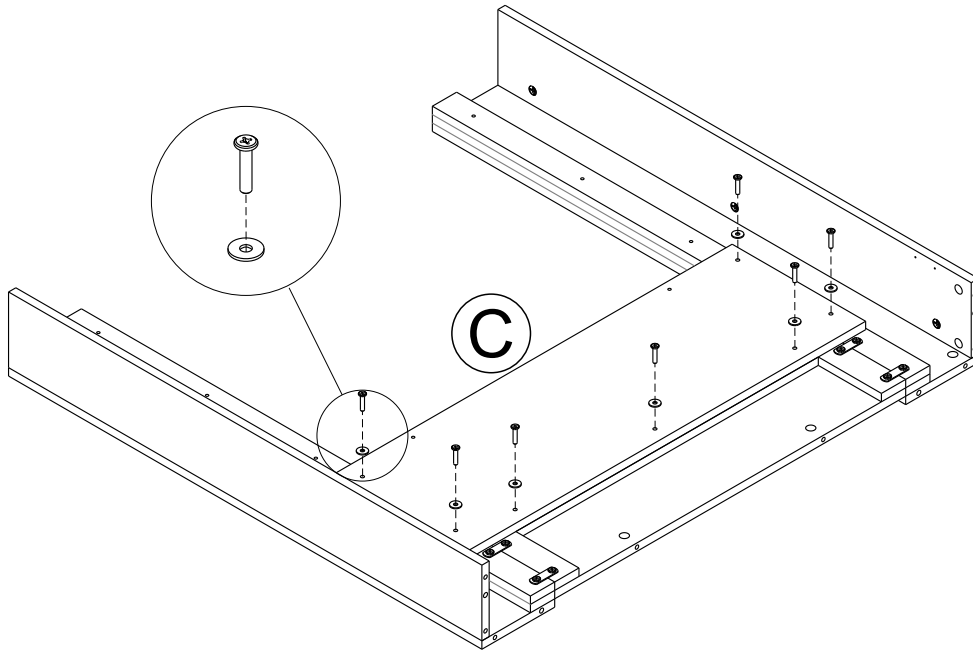
# STEP 6



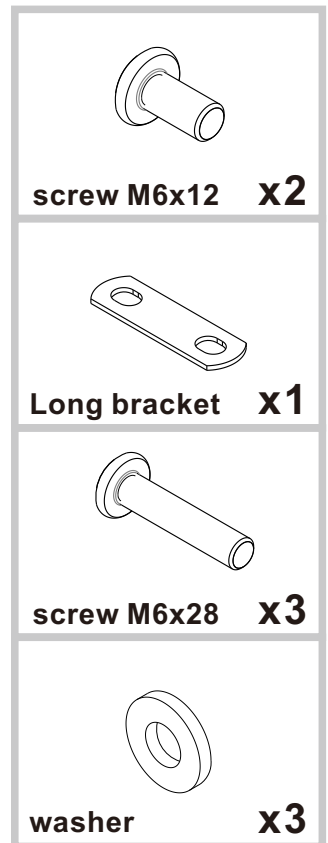
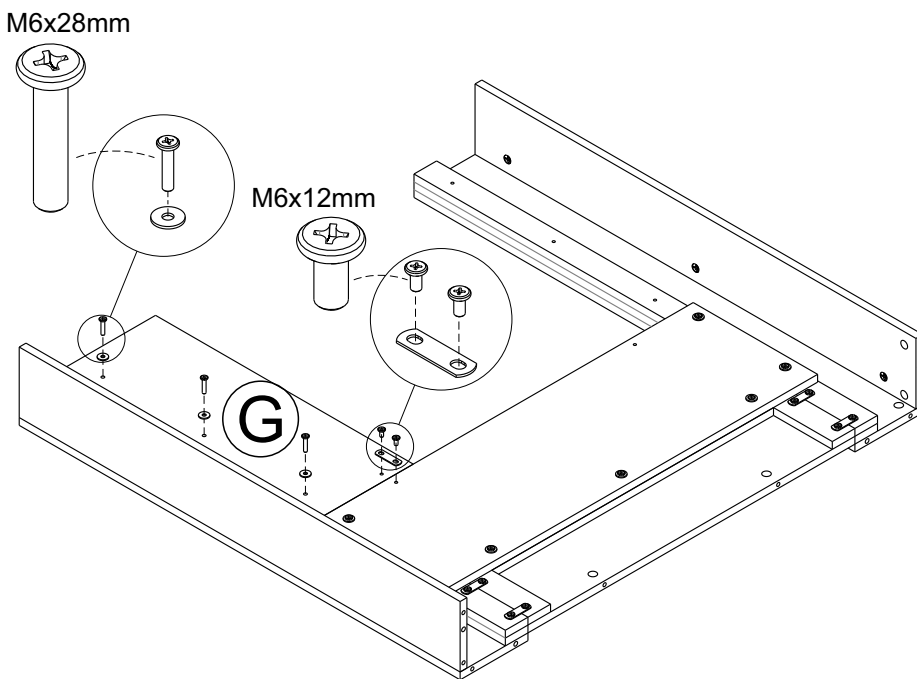
# STEP 7



# STEP 8

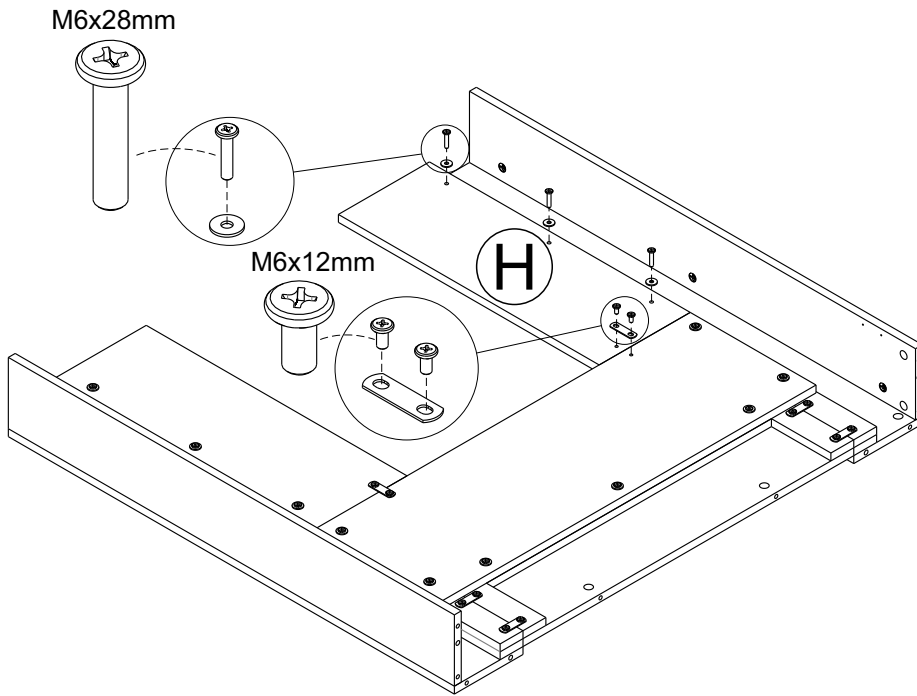


# STEP 9



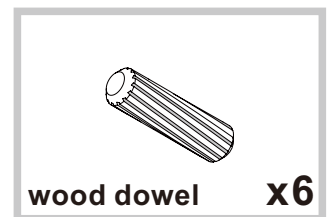
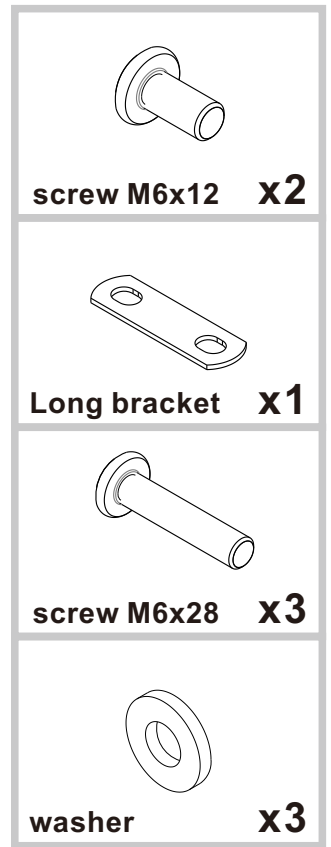
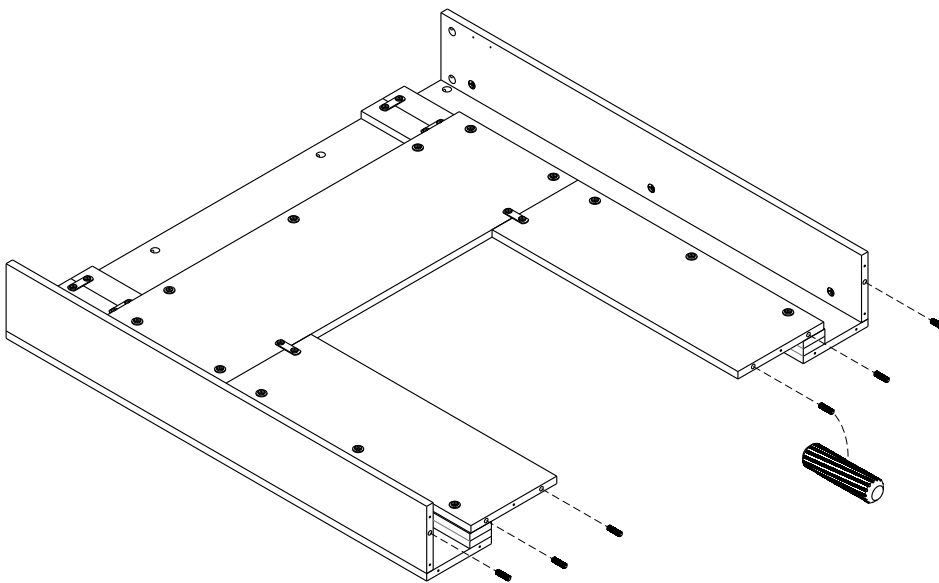
**Make sure the screws are correctly used**

# STEP 10

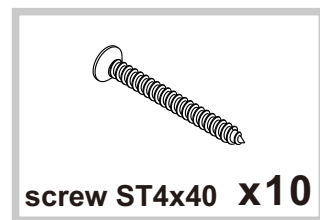
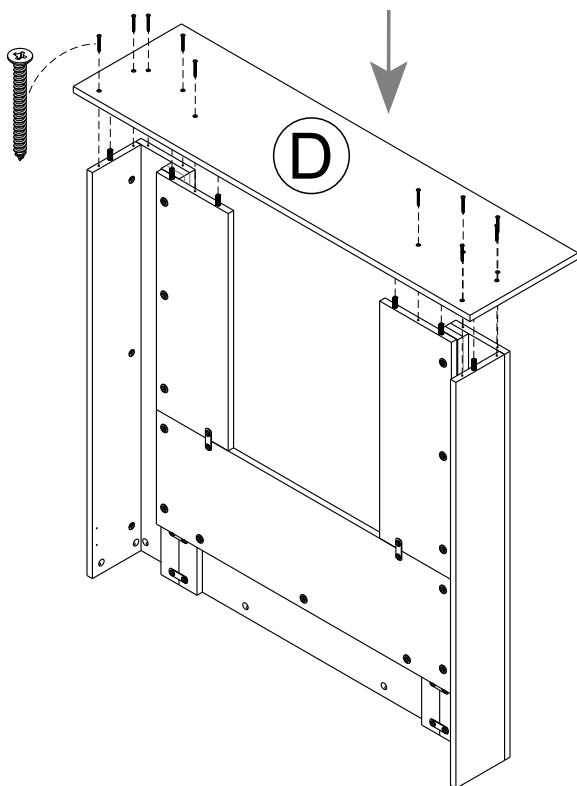


Make sure the screws are correctly used

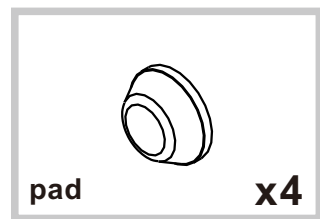
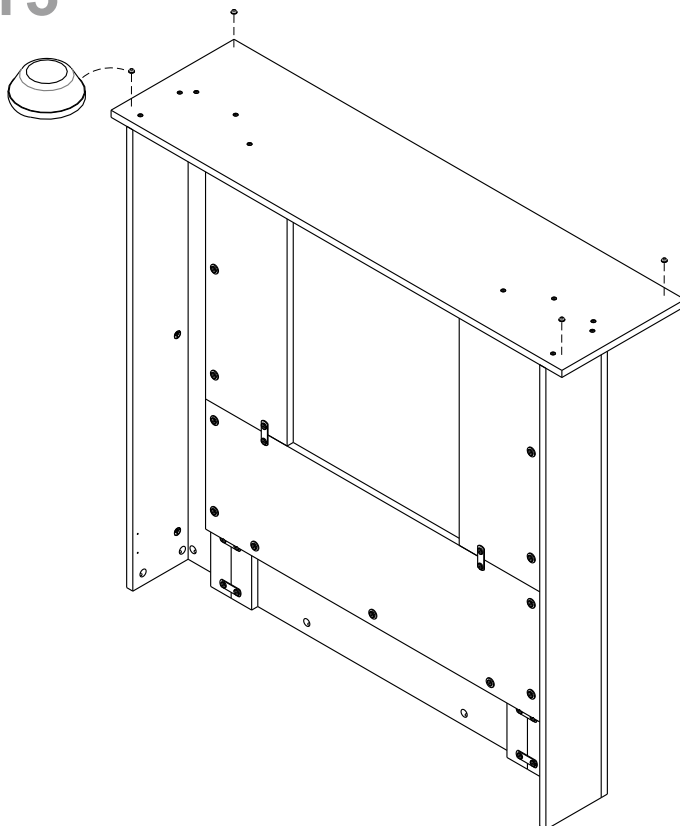
# STEP 11



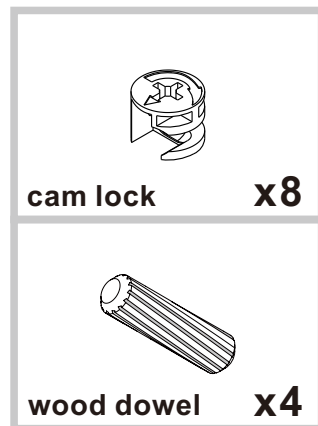
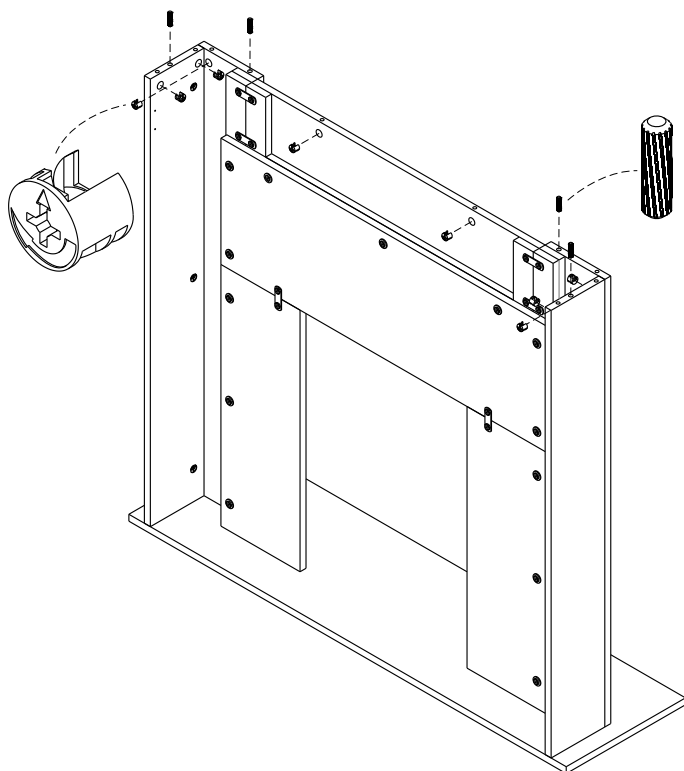
# STEP 12



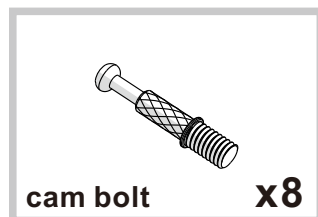
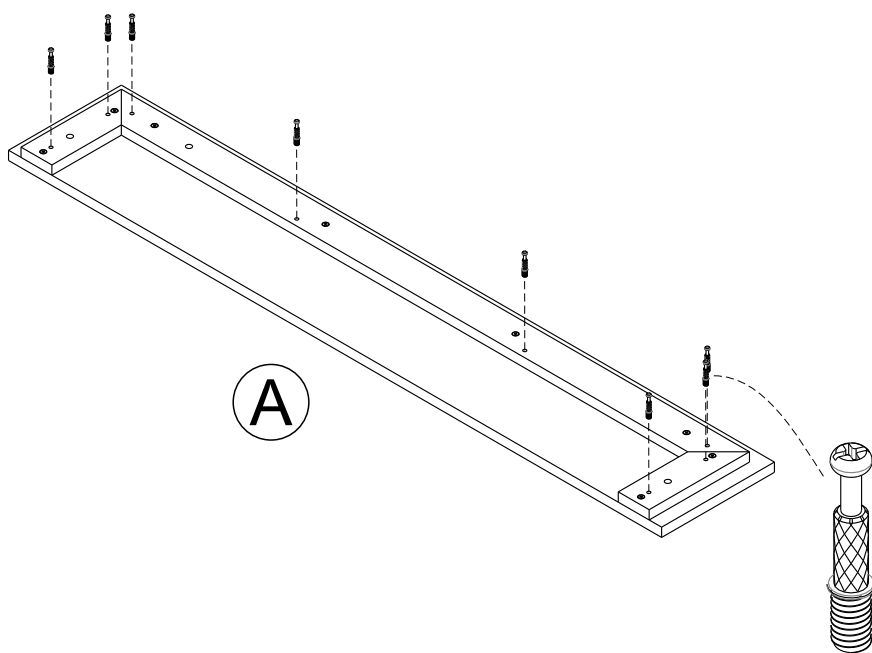
# STEP 13



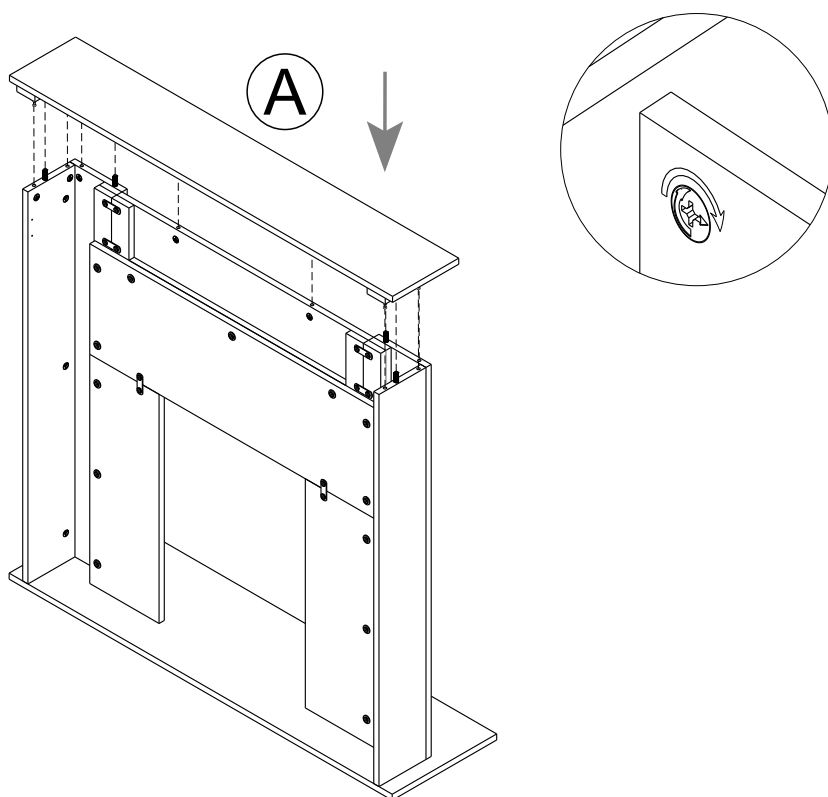
# STEP 14



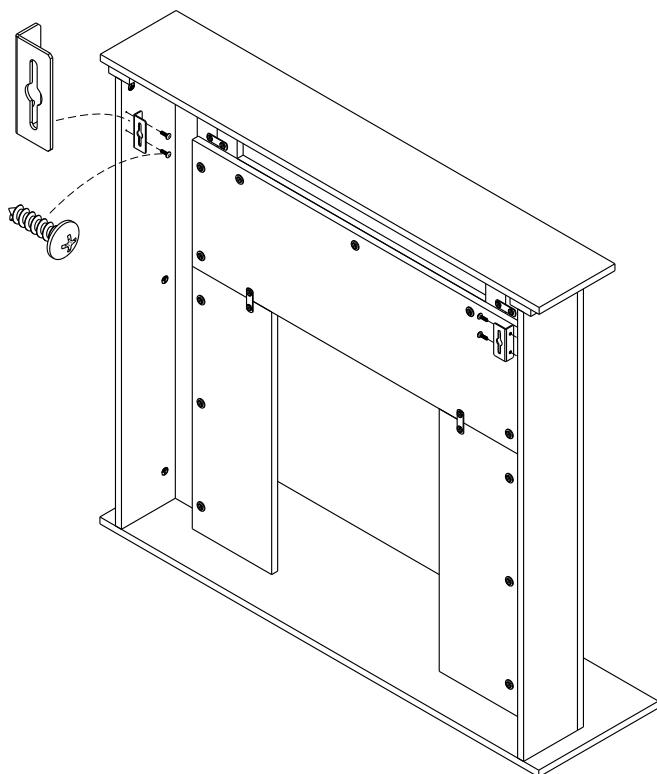
# STEP 15


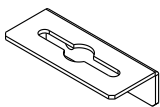


# STEP 16



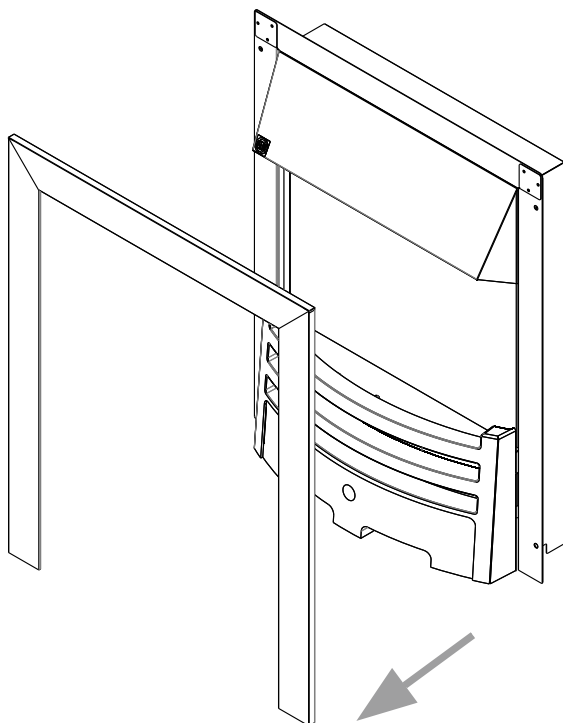
# STEP 17




<b>screw ST4x12 x4</b>

<b>L bracket x2</b>

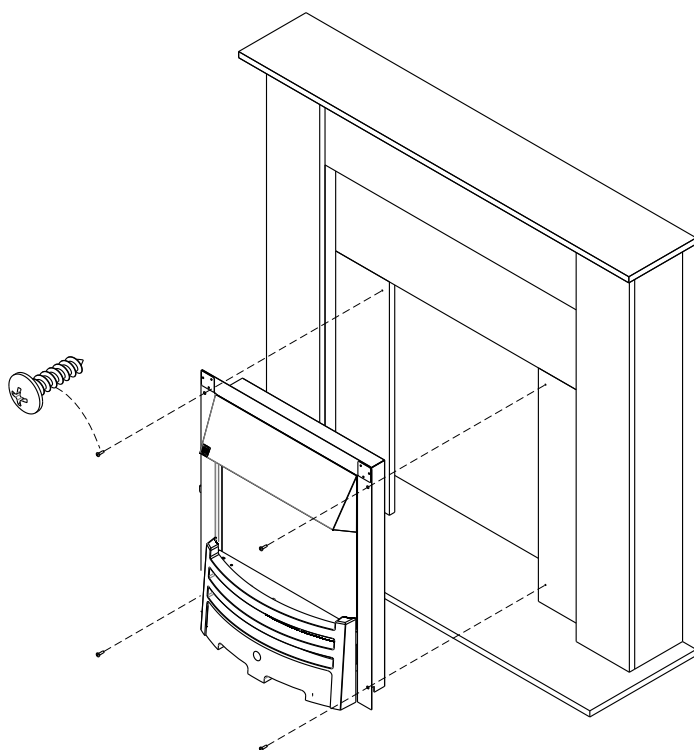
## STEP 18

Remove the trim.



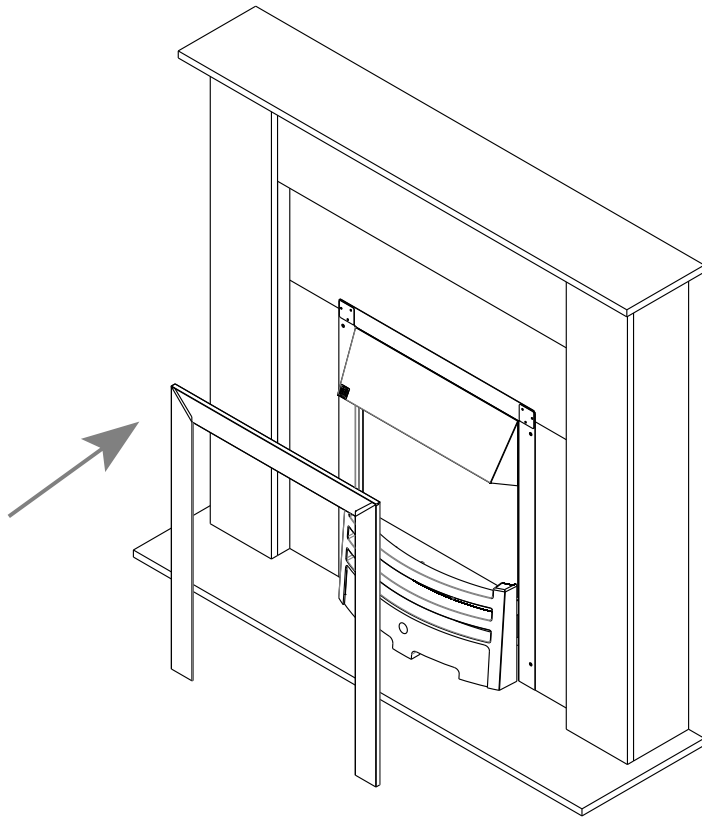
## STEP 19

Screws used in this step are packed with the appliance.

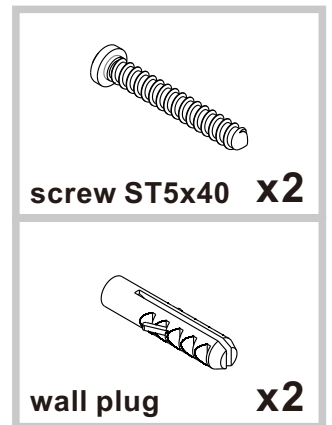
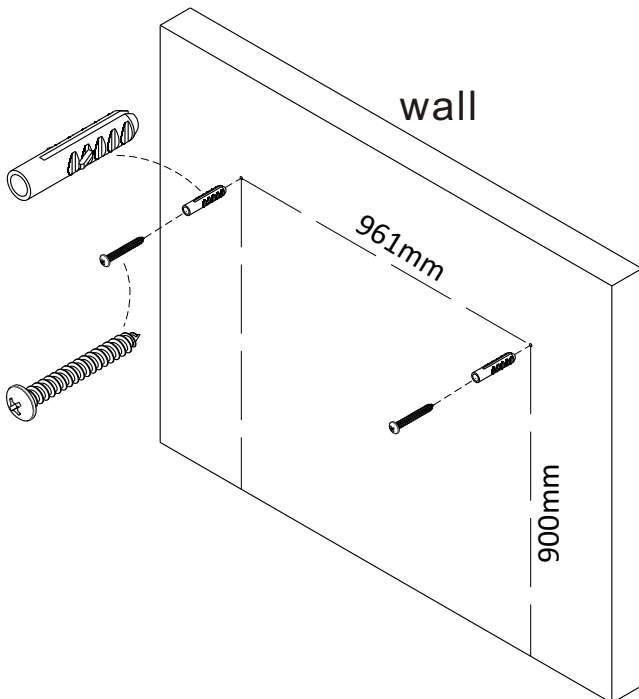


# STEP 20

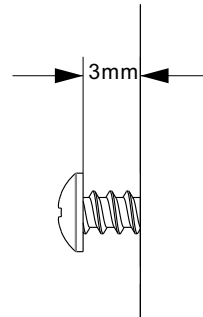
Refit the trim.



# STEP 21

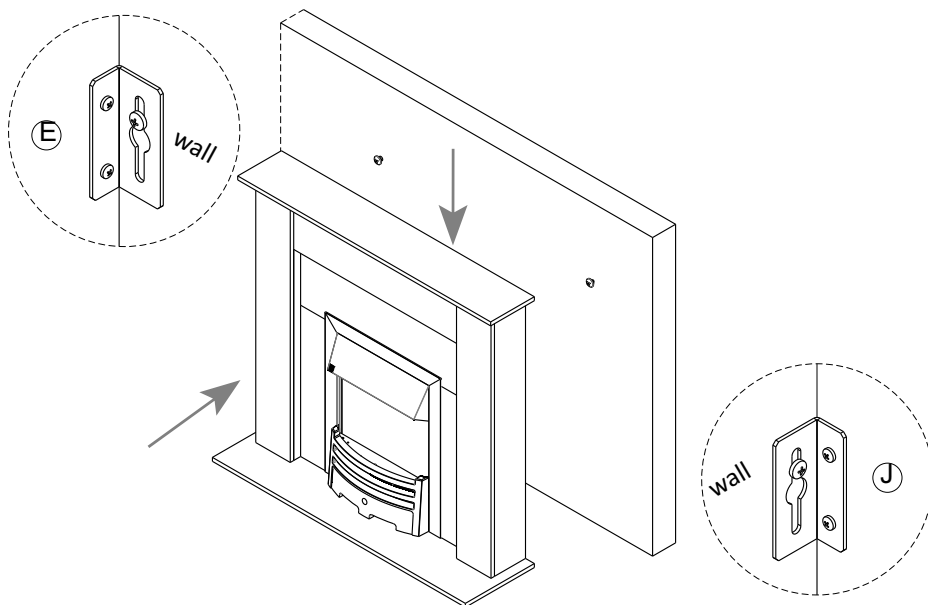


leave 3mm projection



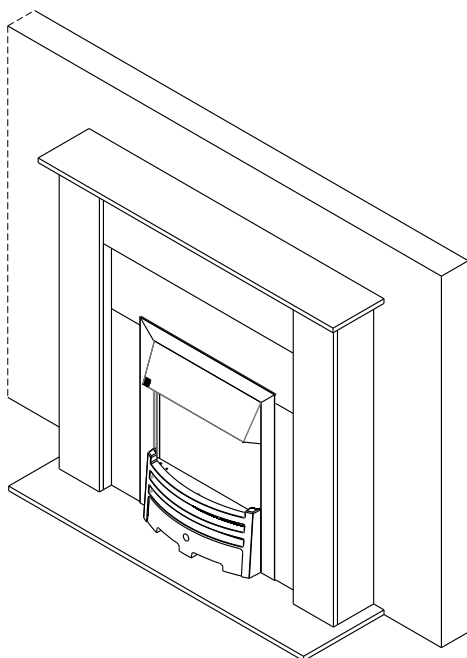
## STEP 22

Lock the fireplace suite to the wall.



## STEP 23

The assembly is completed now.







**Distributor:** Modelo Limited  
Unit 6A-6E,  
Airfield Industrial Estate,  
Hixon, Staffordshire,  
ST18 0PF

**Tel:** 01785 719005

**Email:** [customerservice@modelo.co.uk](mailto:customerservice@modelo.co.uk)

---