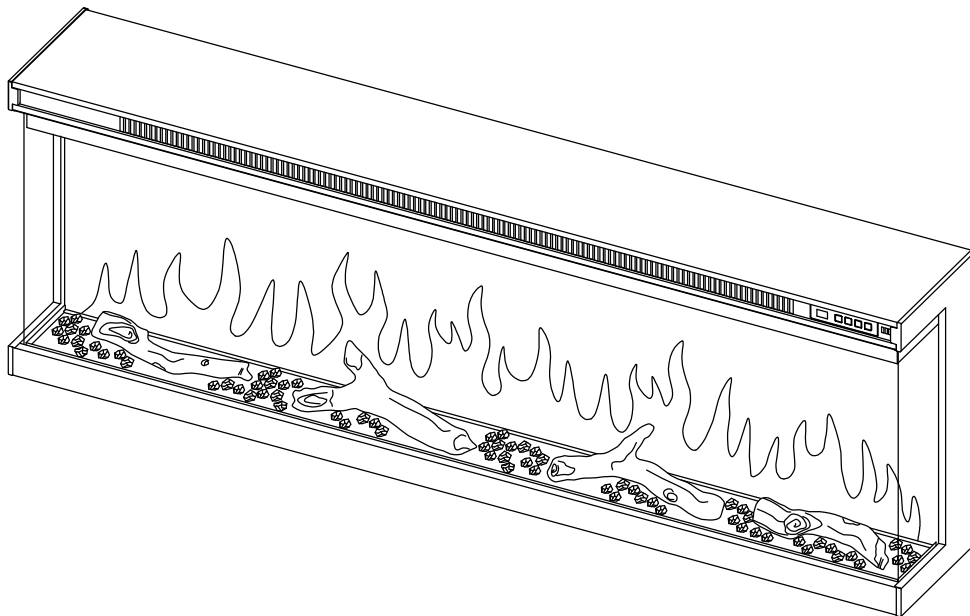


ELECTRIC FIREPLACE

INSTRUCTION MANUAL


MODEL NO.

EF590A/EF591A/EF592A/EF593A



PLEASE READ THE INSTRUCTIONS CAREFULLY BEFORE
INSTALLING AND USING APPLIANCE.
SAVE THIS INSTRUCTION MANUAL FOR FUTURE REFERENCE.

IMPORTANT SAFETY INFORMATION

- Read all of the instructions before using this appliance.
- For indoor use only. This appliance is not suitable for use outside the house and only suitable for well insulated spaces or occasional use.
- DO NOT use this appliance in the immediate surroundings of a bath, a shower or a swimming pool.
- This fire must not be located immediately below or in front of a socket outlet. This appliance must be earthed.
- This appliance must not be supplied through an external switching device, such as a timer, or connected to a circuit that is regularly switched on and off by utility in order to avoid a hazard due to the inadvertent resetting of the thermal cut out.
- If the power cord is damaged, it must be repaired by the manufacturer, its authorized service centre or professional person.
-  The figure in the marking is “DO NOT COVER”
- **WARNING!** in order to avoid overheating, do not allow the appliance to be covered or let the air inlet/outlet become obstructed.
- **WARNING:** To reduce the risk of fire, keep textiles, curtains, or any other flammable material a minimum distance of 1 meter from the air outlet.
- Keep the power cord away from hot surfaces and hot conditions. DO NOT route the power lead in front of the appliance.
- DO NOT use this fire in rooms that have explosive fumes in them (for example petrol), or if you are using solvents, glue, aerosol spray or flammable paints, as these may catch fire.
- This appliance can be used by children aged from 8 years and above and persons with reduced physical, sensory or mental capabilities or lack of experience and knowledge if they have been given supervision or instruction concerning use of the appliance in a safe way and understand the hazards involved.
- **Caution:** some part of this appliance can become very hot and cause burns.

Particular attention has to be given where children and vulnerable people are present.

- Children aged between 3 and 8 years old should only switch on/off the appliance provided that it has been placed or installed in its intended normal operating position and instructions and supervision concerning the safe usage of the appliance are given.
- Cleaning and user maintenance shall not be made by children without supervision.
- This appliance shall not be played with by children.
- Children of less than 3 years should be kept away unless continuously supervised.
- Children aged from 3 years and less than 8 years shall not plug in, regulate and clean the appliance or perform user maintenance.
- **WARNING:** Do not use this heater in small rooms when they are occupied by persons not capable of leaving the room on their own, unless constant supervision is provided.
- Keep the power plug accessible after installation.
- DO NOT use if there are visible signs of damage to the appliance.
- DO NOT use this heater if it has been dropped.
- DO NOT use this heater as a free-standing appliance, It must always be fixed to the fireplace mantel or wall.

WARNING! Information below for authorized person or service centre only:

A non-rewireable plug fitted with a 13A fuse is supplied. Should the fuse or plug need replacing, and you are competent to do so , it must be replaced with a 13A fuse or plug being 13A BS1363A approved.

TECHNICAL SPECIFICATIONS

MODEL NO.: EF590A/EF591A/EF592A/EF593A

Supply Voltage: AC 230-240V 50Hz

Maximum power consumption: 1.65-1.8KW

Power for flame and fuel bed effect:

MODEL	EF590A	EF591A	EF592A	EF593A
POWER	9.1W	12W	12.5W	14.8W

HEAT OUTPUT:

Nominal heat output (Pnom): 1.8KW

Minimum heat output (indicative) (Pmin): 0.9KW

Maximum continuous heat output (Pmax): 1.8KW

AUXILIARY ELECTRICITY CONSUMPTION:

At nominal heat output (elmax): 12.5W

At minimum heat output (elmin): 12.0W

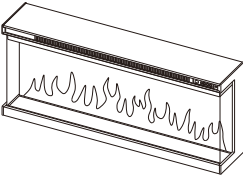

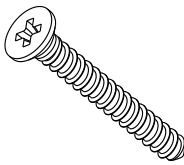
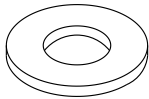
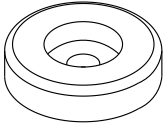
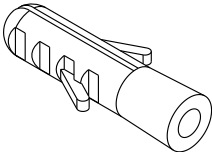
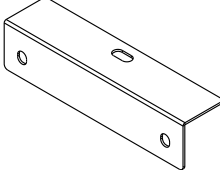
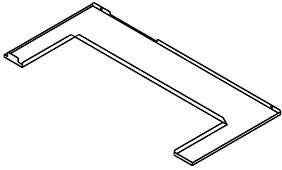
In standby mode (elSB): 0.48W

TYPE OF HEAT OUTPUT/ROOM TEMPERATURE CONTROL	
Single stage heat output and no room temperature control	No
Two or more manual stages, no room temperature control	No
With mechanical thermostat room temperature control	No
With electronic room temperature control	Yes
Electronic room temperature control plus day timer	Yes
Electronic room temperature control plus week timer	Yes
OTHER CONTROL OPTIONS	
Room temperature control, with presence detection	No
Room temperature control, with open window detection	Yes
With distance control option	No
With adaptive start control	Yes
With working time limitation	No
With black bulb sensor	No

Control PCB	Remote Control Receiver	Remote Control Transmitter
Hardware: RC01-076A01-V0.0 Software: RC01-076A01-V1.0	Hardware: RC01-05A V0 / RC05-018A V0	Hardware: DY-12J-8-OTD V1.0 Software: RCS31B-V1.0

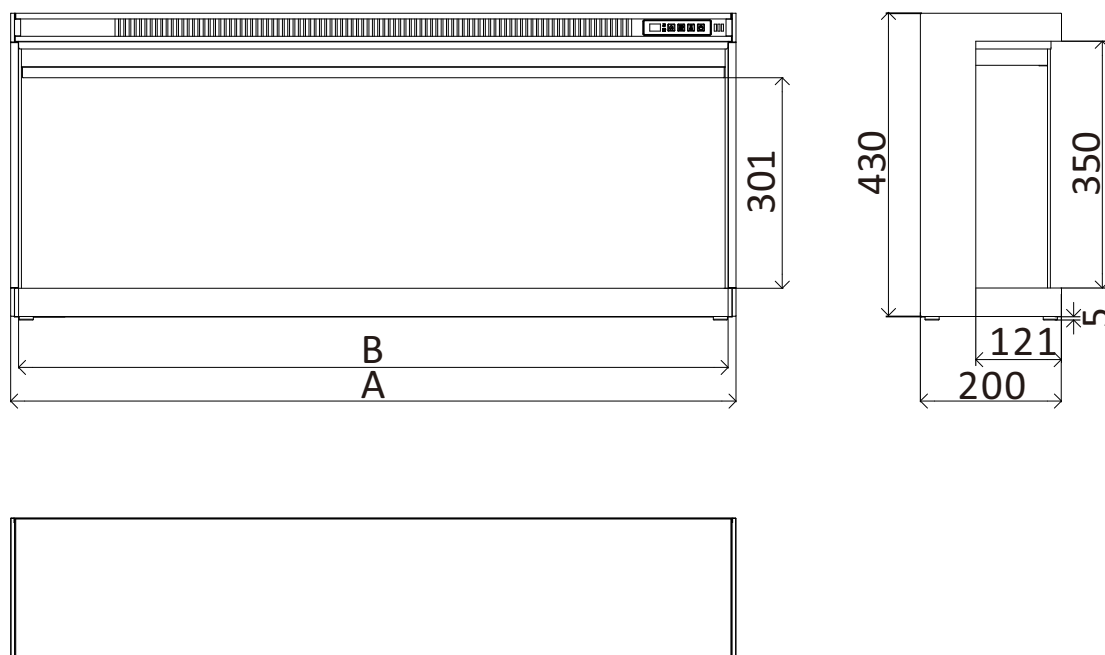
PARTS AND HARDWARE

- Unpack the fire carefully, make sure that the appliance is intact with no signs of damage caused by transport and no part has been exposed to water. If in doubt, do not use the appliance and contact an authorized service center.
- Keep plastic wrapping away from children.
- Save the original packaging as this may be required in the event of service complaint with product.
- Check that all parts are removed from the packaging.

			
1x	8/10/10/10x	6/10/10/10x	4/6/6/6x
Firebox	Screw ST4*8	Screw ST5*40	Washer
			
4/6/6/6x	6/10/10/10x	2x	1x
Rubber Feet	Wall Plug	Bracket	Decorative Panel(LH)

1x	1x	2x	1setx
Decorative Panel(RH)	Remote Control	Battery	Log Set
1setx	1x		
Crystal Media	Instruction Manual		

APPLIANCE DIMENSIONS



Unit:mm

MODEL	EF590A	EF591A	EF592A	EF593A
A	1016	1270	1524	1830
B	1005	1259	1513	1819

INSTALLATION INSTRUCTIONS

BEFORE INSTALLATION

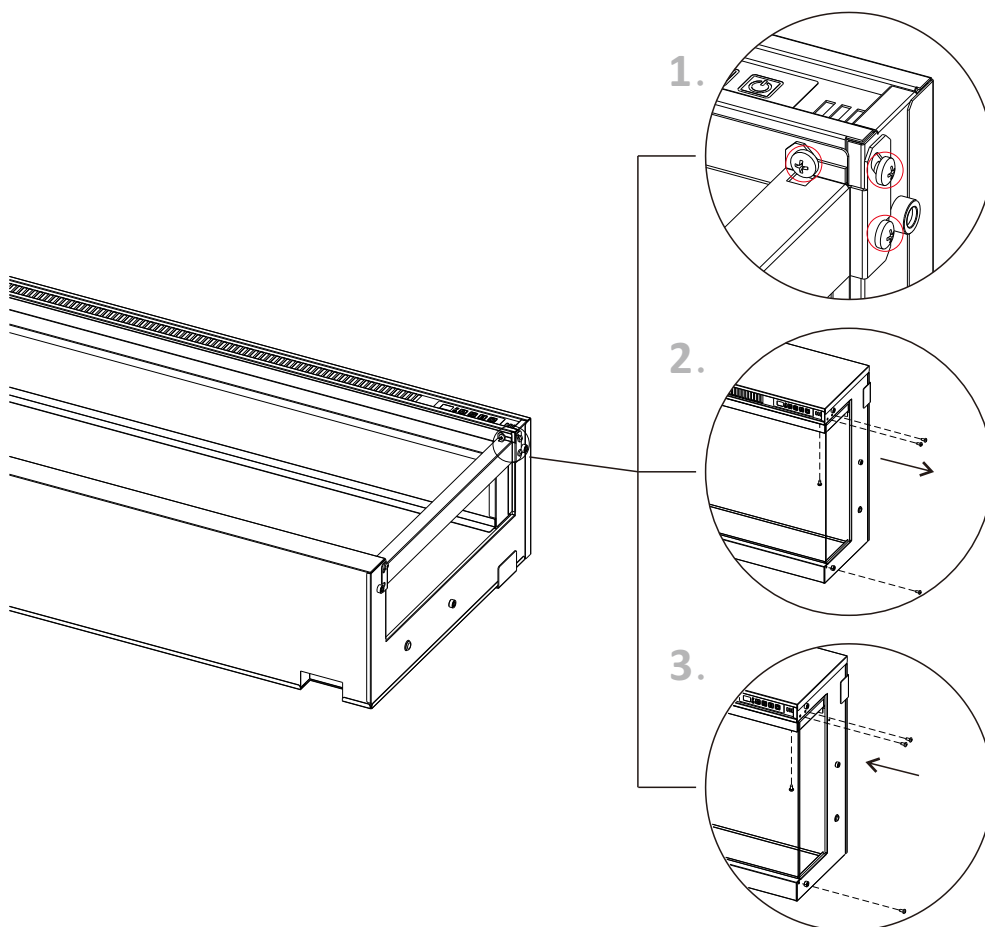
1. LOCATE THE FIREBOX

Your new electric fireplace may be installed virtually anywhere in your home. However, when choosing a location, ensure that the general instructions are followed.

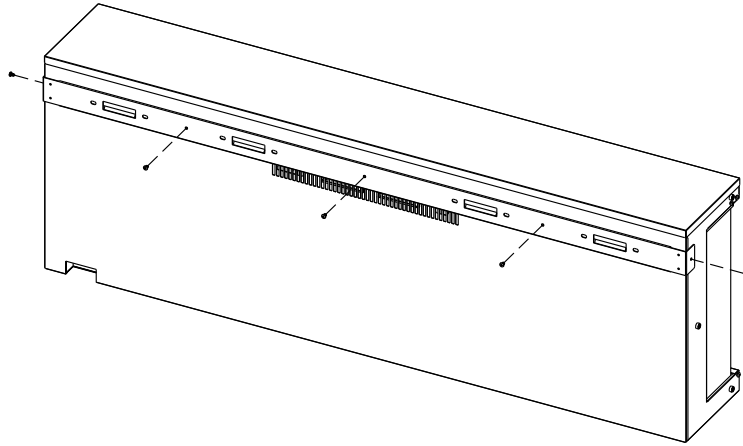
- For best results, install out of direct sunlight.
- The appliance should be connected to an earthed electrical outlet and it must be easily accessible to allow disconnection.

2. REMOVE THE GLASS-PROTECTING BRACKET

- Remove the screws for securing the brackets on both sides. Take out the glass-protecting brackets which will not be used in the following installations, but keep them in case you need to return the appliance. Then secure the screws back to the firebox.

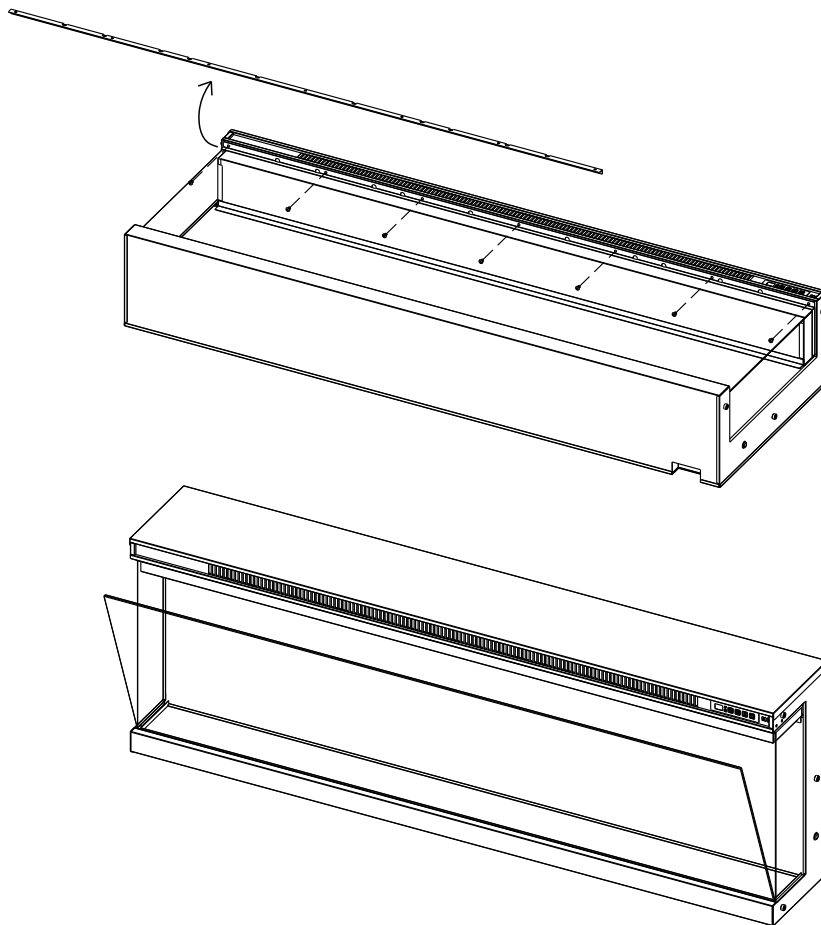


3. REMOVE THE WALL MOUNTING BRACKET



4. REMOVE THE FRONT GLASS

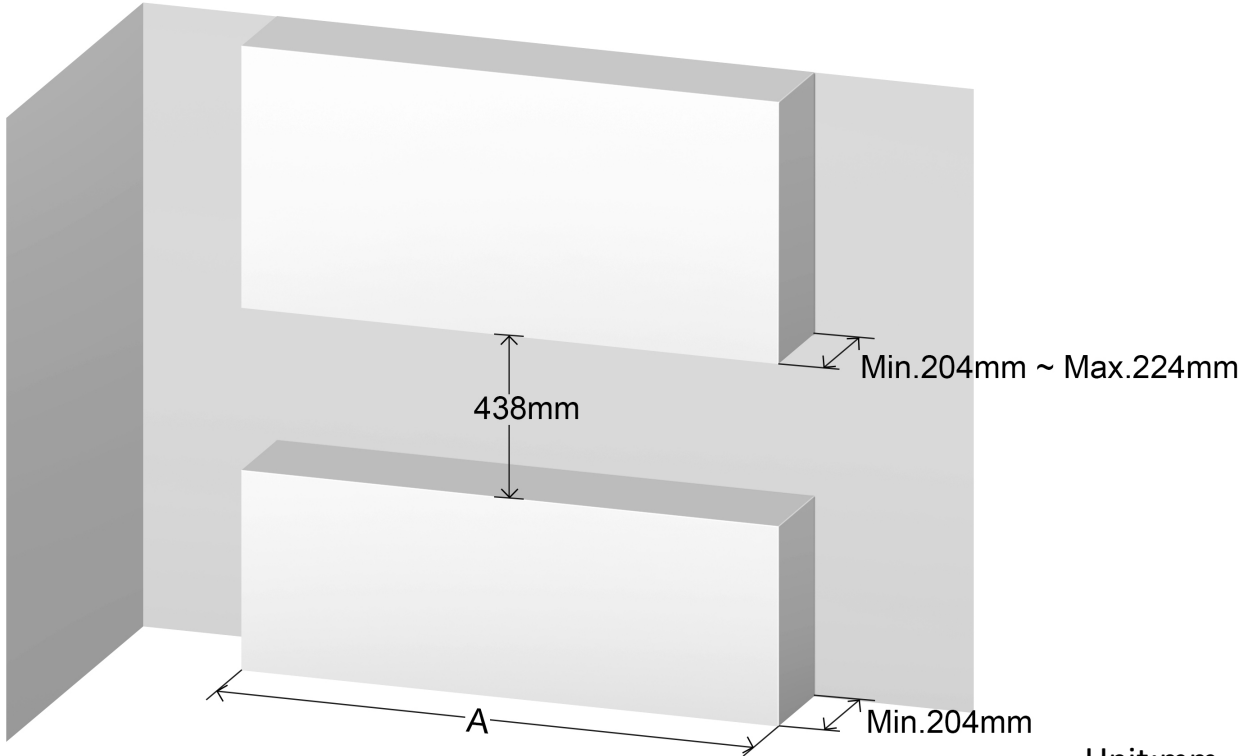
- Remove the screws fixing the glass retaining bar and take out the front glass carefully.



CHOOSE A WAY TO INSTALL

1. WALL RECESSED

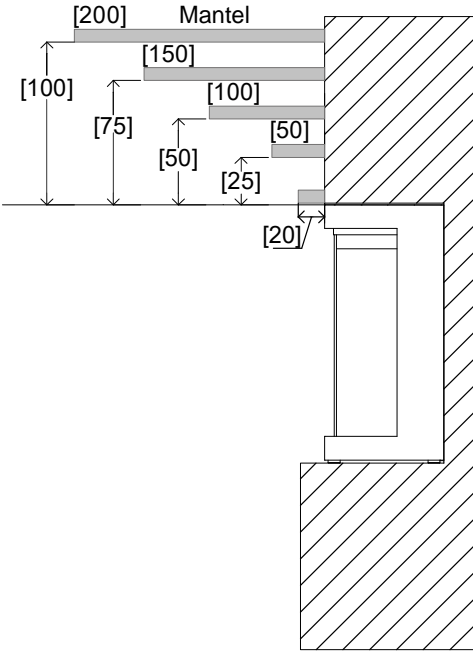
- Build a frame with power supply and finish it as shown below.



Unit:mm

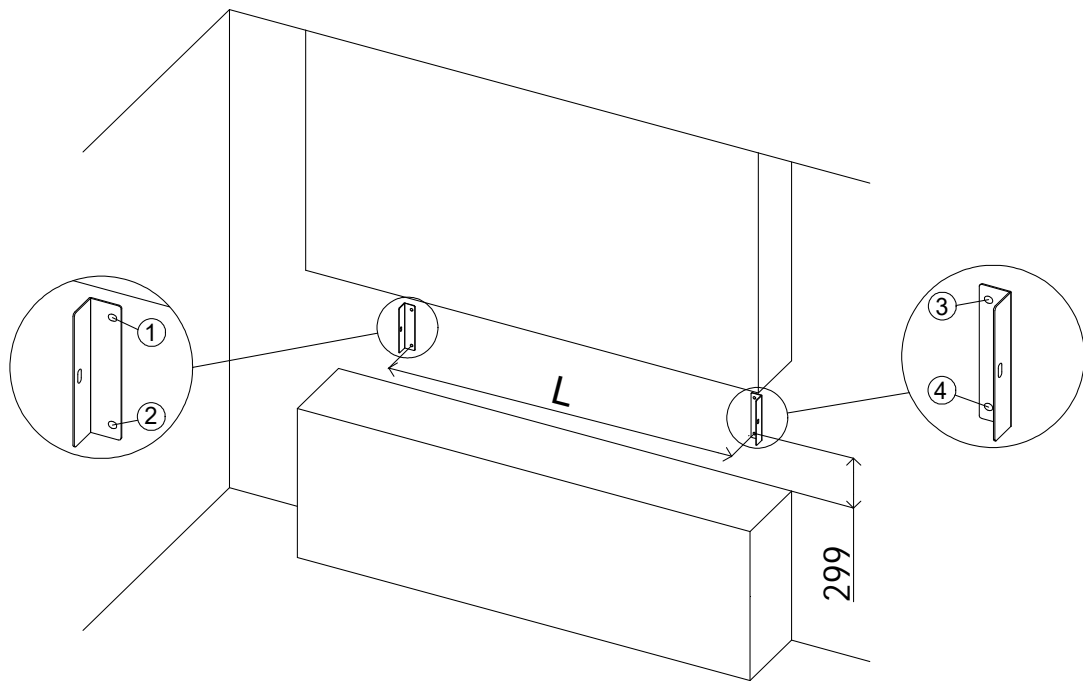
MODEL	EF590A	EF591A	EF592A	EF593A
A(Minimum)	1016	1270	1524	1830

MINIMUM MANTEL CLEARANCE



Unit:mm

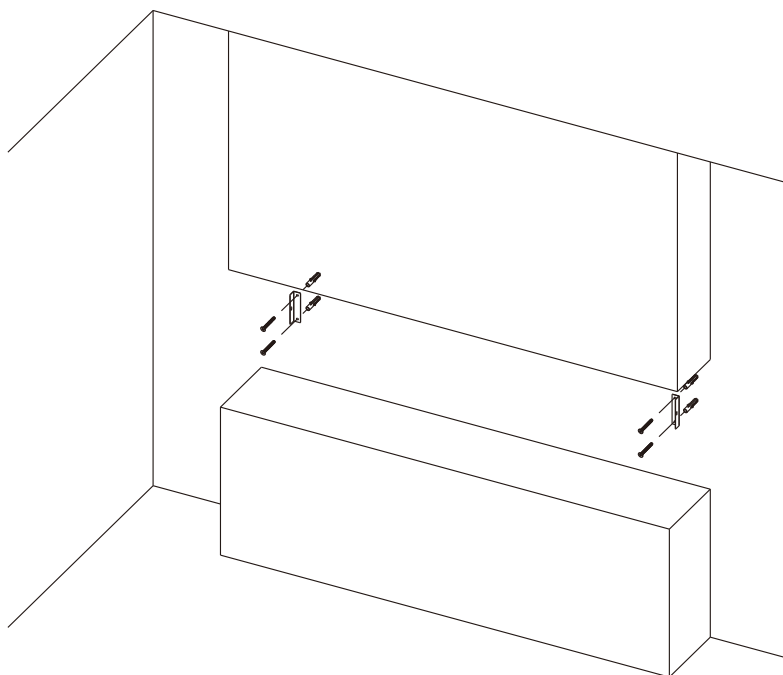
- Mark the hole for fixing the “L” shaped brackets as suggested below.



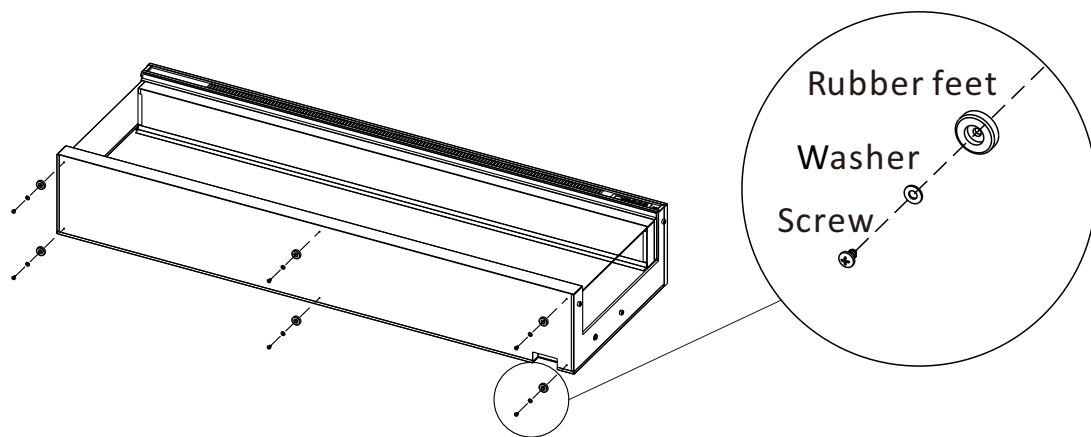
Unit:mm

MODEL	EF590A	EF591A	EF592A	EF593A
L	971	1225	1479	1785

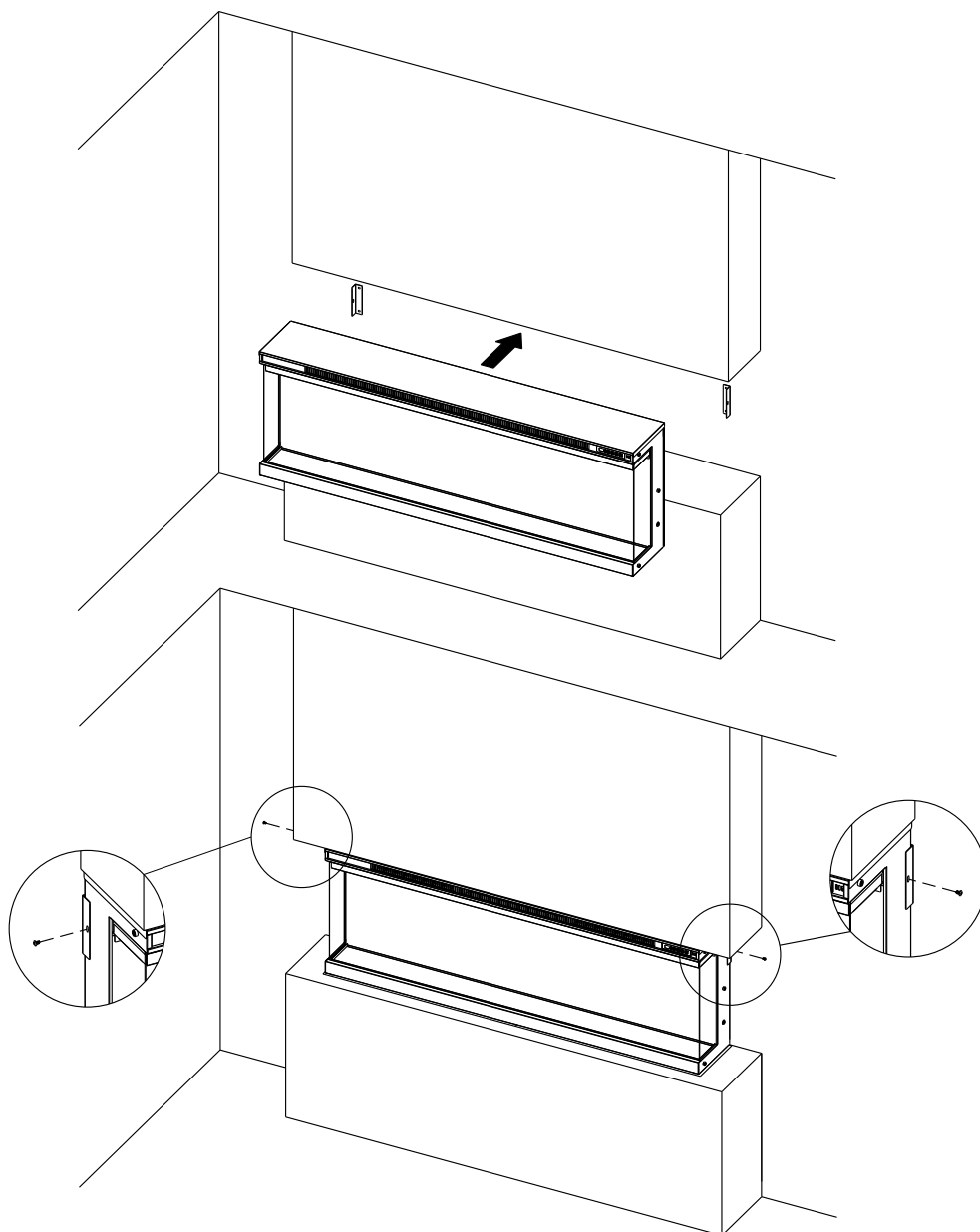
- Embed the wall plugs(for concrete wall only) and fix the “L” shaped brackets to the wall by four ST5*40 screws.



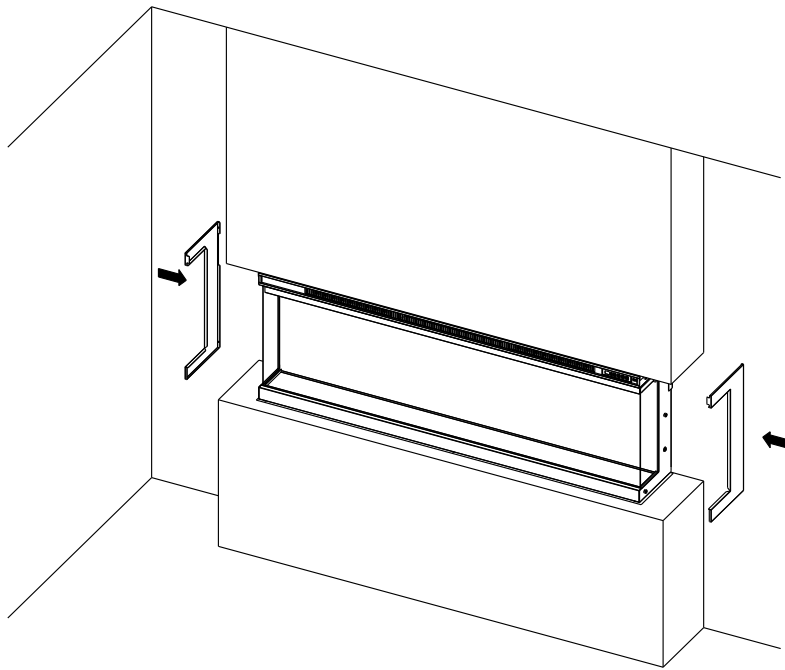
- Secure the rubber feet to the bottom of the firebox with ST4*8 screws.



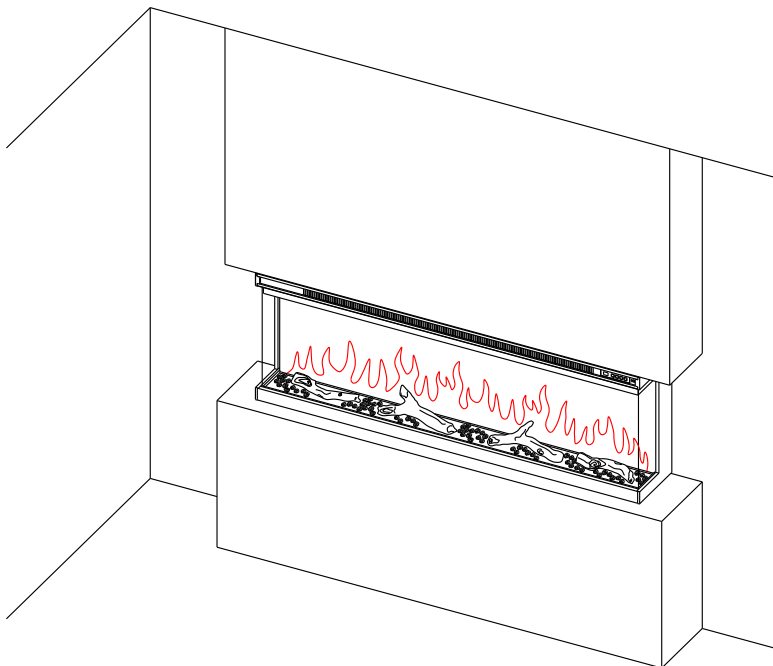
- Push the firebox into the framework and secure with ST4*8 screws.



- Install the decorative panels on both sides.

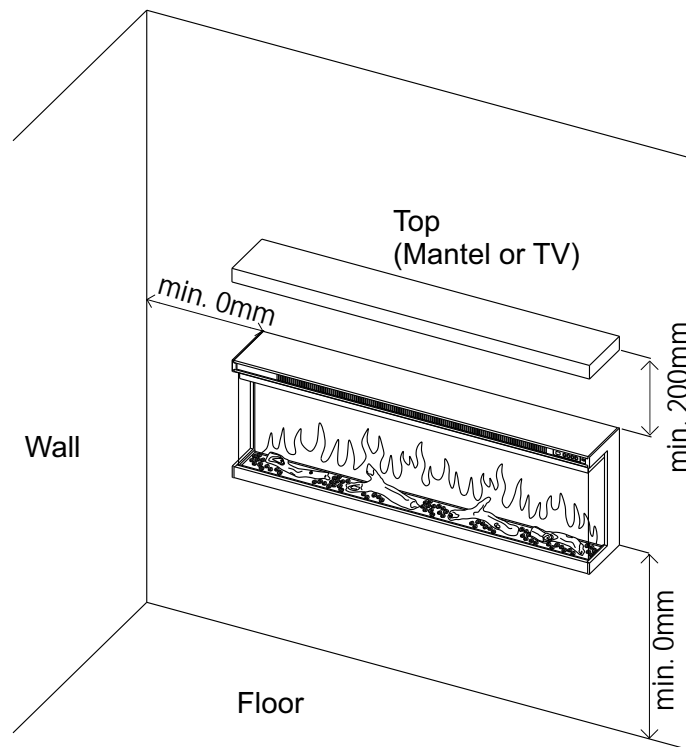


- Spread the crystal media on the fuel bed and place the log set on it. Then install the front glass back.

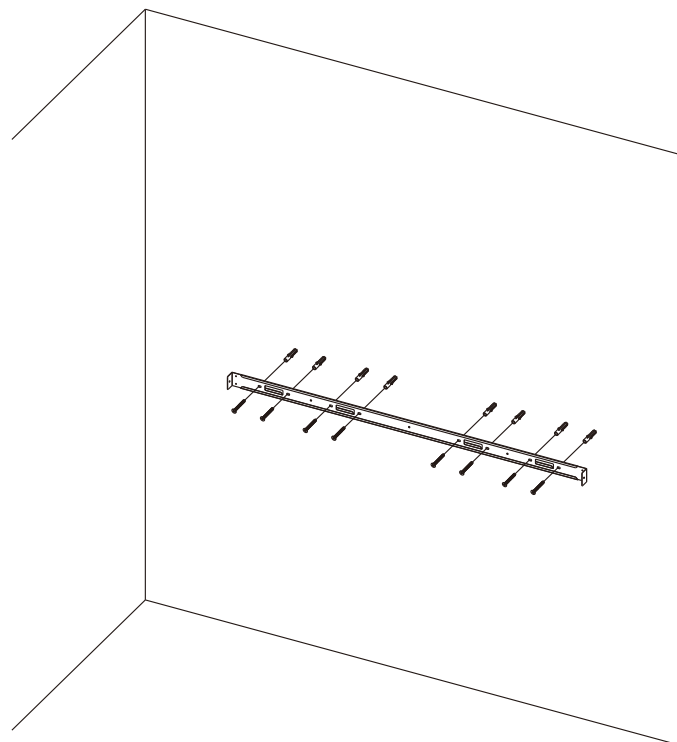


2. WALL MOUNTED

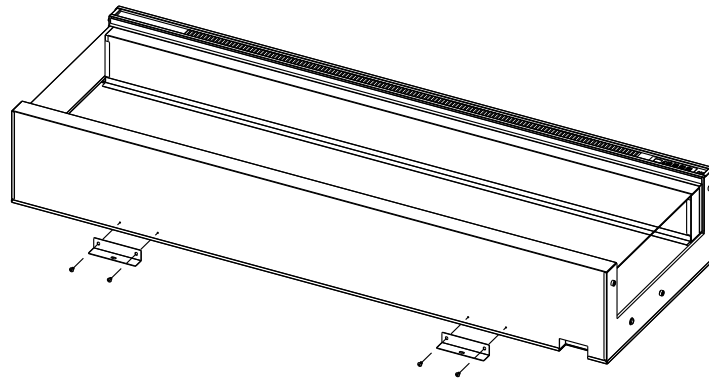
MINIMUM CLEARANCE TO COMBUSTIBLE



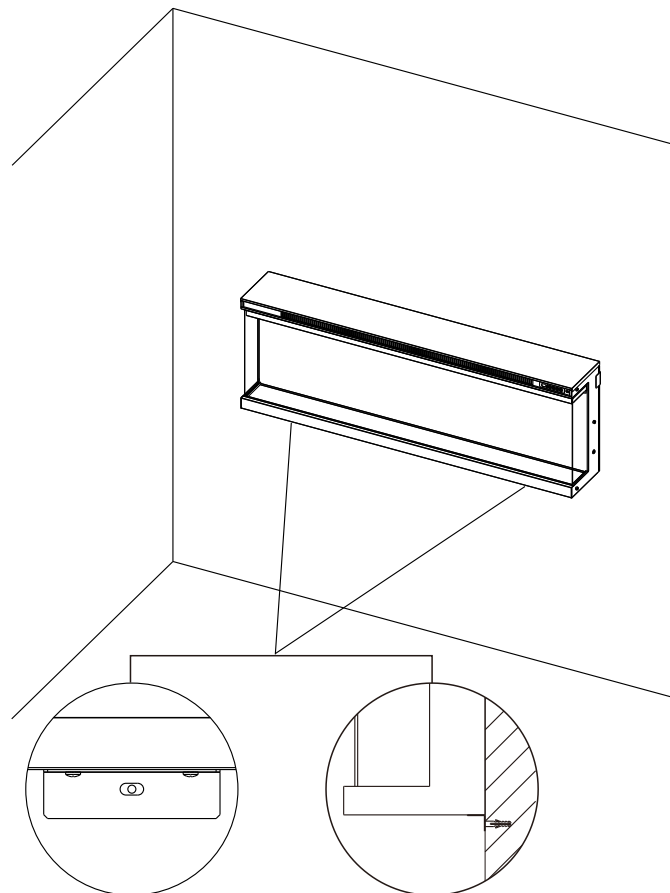
- Place the wall mounted bracket in the desired position ensuring that the bracket is leveled. Mark and drill the holes. Embed the wall plugs (For concrete wall only) and secure the wall bracket to the wall with ST5*40 screws.



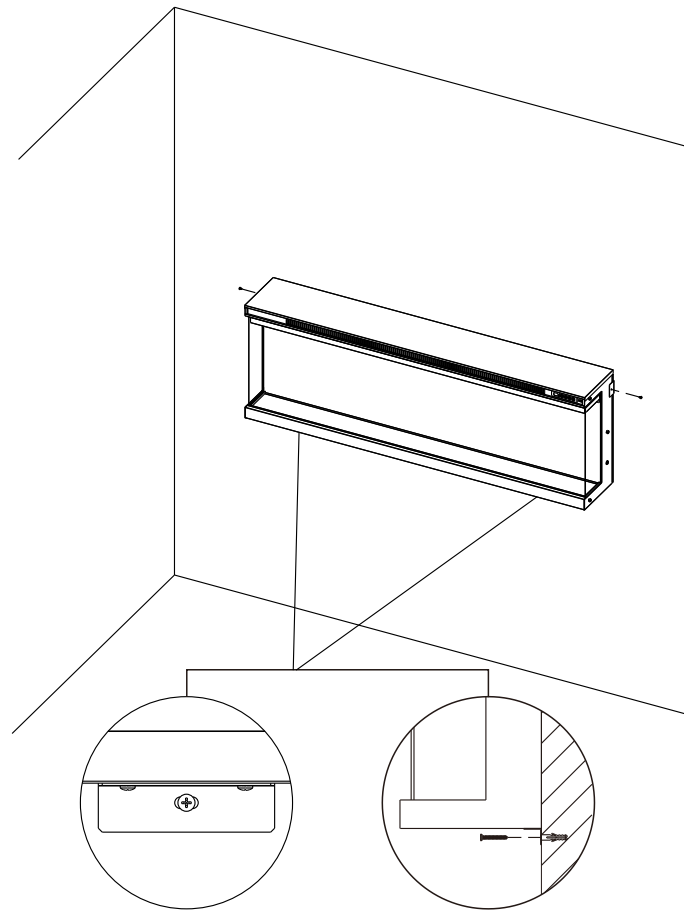
- Secure the “L” shaped brackets to the bottom of the firebox with ST4*8 screws.



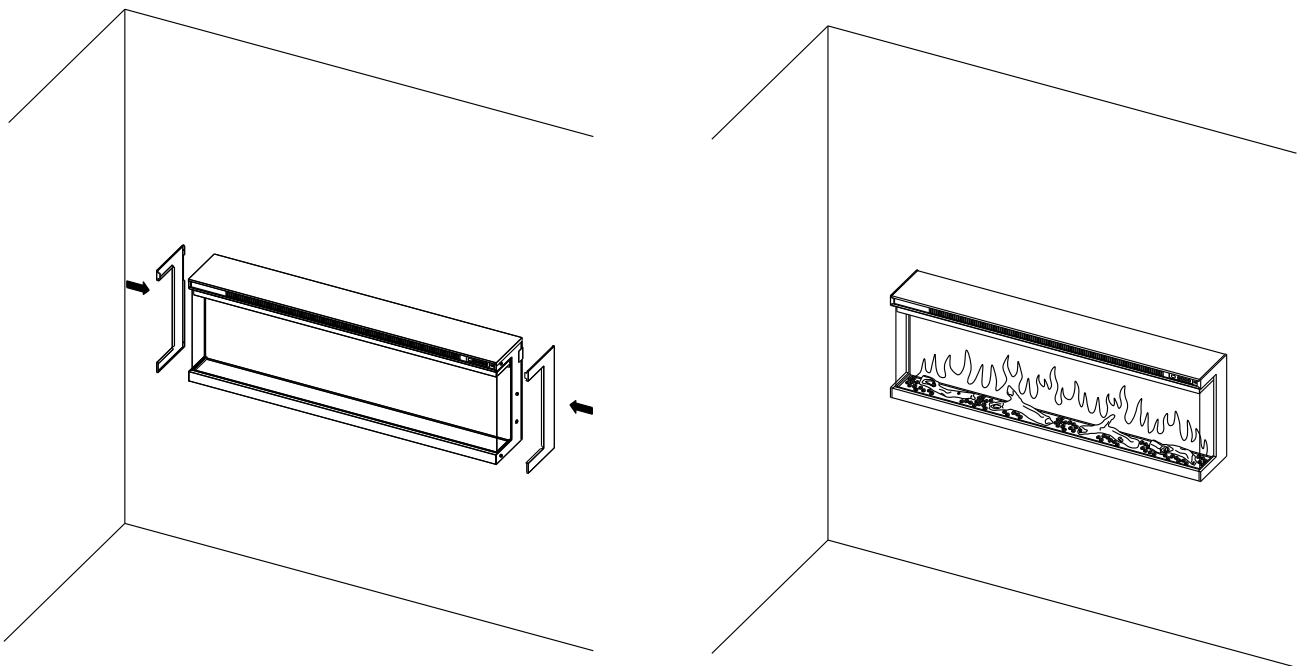
- Hang the firebox on the wall bracket and mark the position of the L bracket ,then take the firebox down. Drill 2 holes on the marked points and insert the wall plugs(For concrete wall only) into the holes.



- Secure the firebox to the wall bracket with two ST4*8 screws and fix the bottom L bracket with two ST5*40 screws.



- Repeat the steps mentioned above to install the decorative panels on both sides, arrange the fuel bed and install the front glass back.



OPERATING INSTRUCTION

BEFORE OPERATION

WARNING! Do not operate the appliance if it is damaged or has malfunctioned. If you suspect the appliance is damaged or has malfunctioned, call a qualified service engineer to inspect the appliance, and replace any part of the electrical system if necessary, before re-use.

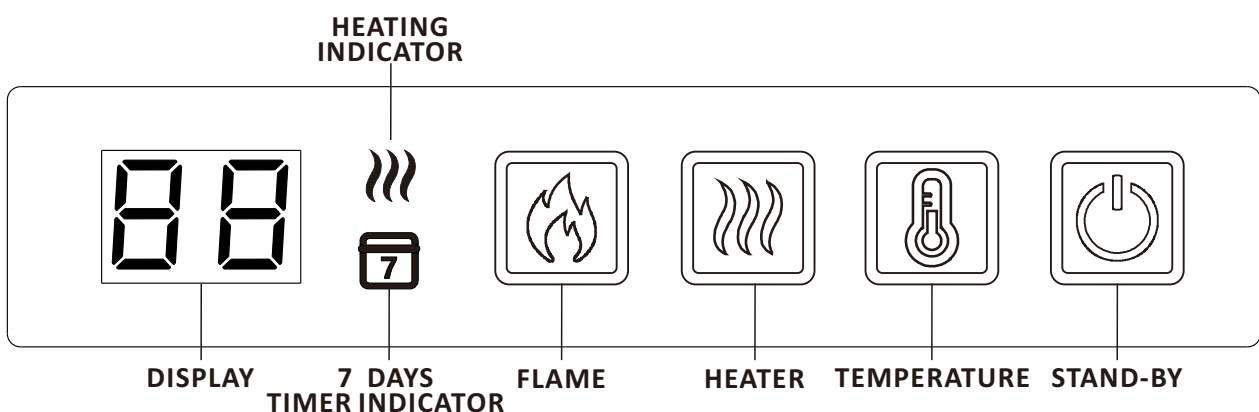
WARNING! To reduce the risk of fire, keep textiles, curtains, or any other flammable material a minimum distance of 1 meter from the air outlet.

- MAKE SURE the plug fits tight in the outlet. Faulty wall outlet connections or loose plugs can cause the outlet to overheat.
- DO NOT disconnect the power at the mains supply whilst the appliance is running. Use the functions on the remote to turn the fire off and ensure the mains switch has been moved to the off position before disconnecting.

OPERATION METHOD

- The appliance can be operated conveniently in 2 different ways: manually or via the remote control handset.

1. MANUAL CONTROL



1. **STAND BY:** Turns on the appliance with the last used settings including heater. Place the appliance into standby mode with all features turned off.
2. **FLAME:** Press to cycle through 9 flame colours and off setting.
3. **HEATER:** Press to cycle through low heater, high heater and off setting.
4. **TEMPERATURE:** Press to adjust the heaters response to the ambient temperature conditions in the room. Temperature adjusts from 16 °C - 28 °C (60 °F - 84 °F) and then 58°C (99°F).

NOTE:

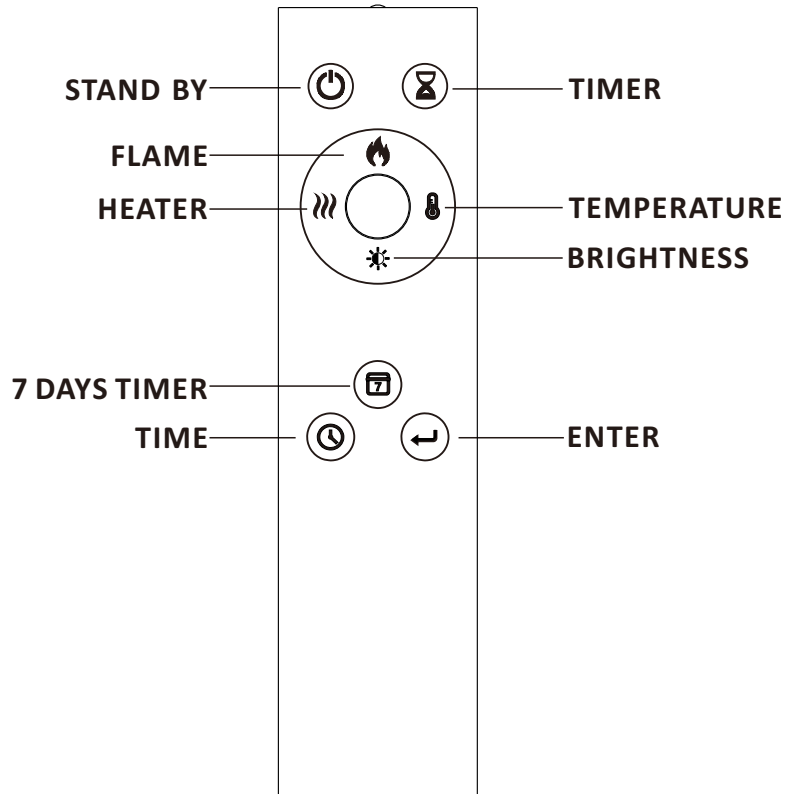
The manual button controls basic functions, not a full range of controls. Use the remote handset to carry out all functions.



In order to prevent the product becoming too hot, there is a 10s delay when turning on the heater and a 10s delay when turning off the heater fan.







2. REMOTE CONTROL

NOTE:








- Ensure that the batteries of remote handset are new and inserted correctly.
- Aim the remote control at the remote receiver which is behind the right side of the flame screen.











Icon	Title	Function	Fireplace Response
	STANDY BY	Press to turn on /off the flame effects and heater.	Turn on:F1,...F9 ,F0 Turn off: no display
	FLAME	Cycle through 9 flame colours and off setting.	F1, F2,...F9,F0

	BRIGHTNESS	Cycle through 5 settings of brightness of flame and fuel bed.	L5, L4,L3,L2,L1,L0.
	HEATING	Cycle through low heater, high heater and off setting.	Lo=low heat setting HI=high heat setting The heater indicator will turn off after 10 seconds if the flame effect is on
	TEMPERATURE	Adjust the heaters response to the ambient temperature conditions in the room. Temperature adjusts from 16 °C - 28 °C (60 °F - 84 °F) and then 58°F (99°F). Hold for 3 seconds to switch between °C/°F.	16,17,18,19,20,21,22,23,24,25,26,27,28,58 in Celsius degree 60,62,64,66,68,70,72,74,76,78,80,82,84,99 in Fahrenheit degree.
	7 DAYS TIMER	Press to Turn on/off 7 days timer; Keep press to start the setting for 7 days timer.	Indicator lights on
	TIMER	Set the time desired for the fireplace to run. The timer can be set from 0.5 hour up to nine (9) hours in one (1) hour increments.	30, 1H, 2H, 3H, 4H, 5H, 6H, 7H, 8H, 9H, 0H
	TIME	Press to set up the heating start and end time under 7 days timer; Keep press to set current time.	The number shows on the screen

SET UP CURRENT DAY AND TIME

Hold time button  on the remote to enter date and time setting mode; Repeatedly press time button  to select date, D1-D7 will show on the display which represents Monday-Sunday. Press button  to confirm, and then automatically enter hour setting. Press button  to set the hour, and press button  to save and then automatically enter minute setting. Press  button again to set minute and then press  to save.

SET UP 7 DAYS TIMER

- Hold the button  on the remote until the 7 days timer indicator on the firebox flashes to enter 7 days timer setting mode.
- D1 (Monday) will show on the display and then press  to confirm; then 00 will show on the display. Press button  to set the time for turning on the heater and then press  to confirm; The 00 will show on the display, press  to set the time for turning off the heater and then press  to confirm. PLEASE NOTE: There is only one period each day for heating on and off.
- Repeat the steps above to set the timer for D2 to D7 (Tuesday to Sunday). The display on fire will show the time for turning on and off the heater as same as the time of last day. If you want to change the time, press the button .
- If you don't want to set for a certain day, just set both start and end time as 00.
- Hold 7 days timer button  to save all settings after you finish the setting for Sunday. The indicator will stop to flash.
- The weekly timer will be set only when you finish the setting from Monday to Sunday completely. During the setting process, the pause of more than 20 seconds will terminate the entire weekly timer setting.

OPEN WINDOW DETECTION

Open Window Detection is an innovative eco feature that detects a rapid drop in room temperature caused by an open window. The warning word "oP" will be displayed on the appliance and the heater will be turned off. If the remote control or the control panel on the appliance is operated manually, the heater will return to its normal working state.

ADAPTIVE START CONTROL

Learning from the previous heating cycle enables the appliance to judge the appropriate advance time to turn on the heater to ensure that the set temperature is reached at the set time. For example, if your timer is set to start at 18:00 and temperature is set to 23°C, the fire may for example come on at 17:30 to ensure the room is 23°C at 18:00.

RESETTING THE THERMAL CUT OUT

The appliance is fitted with an Electronic Safety Control (E.S.). This is a safety device which switches off the fire if, for any reason, the appliance overheats, e.g. when covered. If the heater stops operating while the flame effect continues working normally, this indicates that the E.S. Control is in operation. The E.S. control can only be re-set after the appliance has cooled down, and the appliance has been reset. Resetting of the E.S. Control procedures are as follows :

1. Press button **STAND BY** on fire to turn off the appliance and leave it off for approximately 10-15 minutes.
2. Remove any obstruction to the fan heater outlet or fan blades etc. Make sure that the power supply is disconnected with the plug socket outlet while doing this.
3. Turn on the appliance and the E.S. Control will be reset.
4. Ensure that the appliance is functioning correctly. If the E.S. Control operates again. The appliance should be checked by a competent electrician.

MAINTENANCE

WARNING! Before any maintenance or cleaning of the exterior of the fireplace, the unit should be disconnected from the power supply until it has cooled.

REMOTE HANDSET BATTERY REPLACEMENT

Replace with two AAA batteries. Make sure the batteries are installed correctly in the remote control.

MAINTENANCE OF MOTORS

The motors used on the fan and flame effect are pre-lubricated for extended bearing life and require no further lubrication. However, periodic cleaning/vacuuming of the fan/heater unit is recommended.

CLEANING THE FIREPLACE

You can clean the exterior of the fireplace with a soft, damp, lint-free cloth. DO NOT use cleaning or polishing products. To remove fingerprints or other marks on the front glass panel, use a soft, damp, lint-free cloth with a good quality household glass cleaner. The front glass panel should always be completely dried with a clean, lint-free cloth or paper towel.

WARNING! Abrasive cleaners should not be used on the glass panel. Liquids should not be sprayed directly onto any surface of the unit.

DISPOSAL



Electrical appliances should not be disposed of as household waste. Separate collection facilities should be used in the disposal of electrical appliances. Contact your local government for information about the available collection systems. If electrical appliances are disposed of in landfills or dumps, hazardous substances can leak into the groundwater and get into the food chain, damaging your health and well-being.



This fire complies with the Safety Standards BS60335-1 and BS60335-2-30 which covers the essential requirements of the Electrical Equipment (Safety) Regulations 2016 (S.I.2016/1101) and the EMC standards BS55014-1; BS55014-2; BS61000-3-2 and BS61000-3-3 which covers the essential requirements of the Electromagnetic Compatibility Regulations 2016 (S.I.2016/1091).



This fire complies with the Safety Standards EN60335-1 and EN60335-2-30 which covers the Low Voltage Directive 2014/35/EU and the EMC standards EN55014-1; EN55014-2; EN61000-3-2 and EN61000-3-3 which covers the essential requirements of the Electro Magnetic Compatibility 2014/30/EU.

Distributor: Moddelo Limited
Unit 6A-6E,
Airfield Industrial Estate,
Hixon,Staffordshire,
ST18 0PF

Tel: 01785 719005

Email: customerservice@moddelo.co.uk