

# TERRATEK

## **20V Lithium Cordless Drill TP20CD User Manual**

Please read and  
retain for future  
reference



[www.futura-direct.co.uk](http://www.futura-direct.co.uk)

Search for  
*futura* *direct*

on You 

For in-depth  
user guides &  
tutorials

Follow Us @:





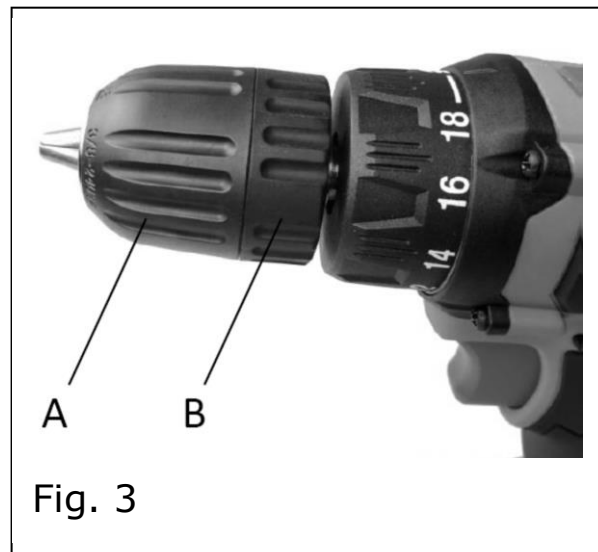
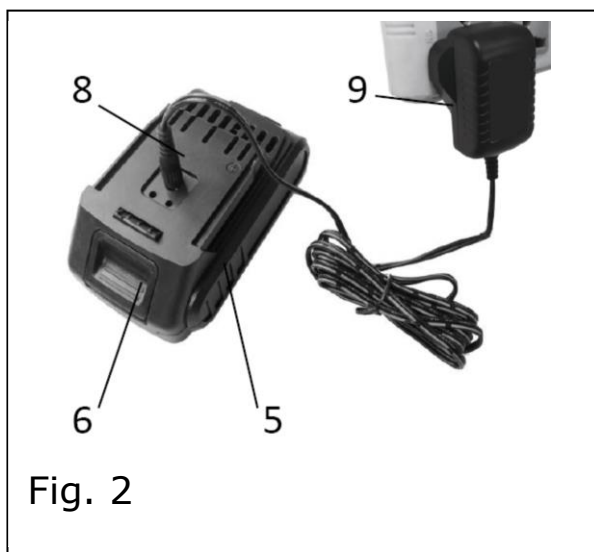
**20V Lithium Cordless Drill TP20CD**

Thank you for purchasing our 20V Cordless Drill which has been designed to give many years of service under normal use. In order to get the most from your 20V Cordless Drill please carefully read and follow the instruction provided.

## **CONTENTS**

**Technical Information**  
**Safety Instructions**  
**Using your drill**  
**Maintenance**  
**Warranty**

### Overview:



**Specification:** (Fig.1 & 2)

1. On/off switch
2. Forward/reverse switch
3. Torque adjustment collar
4. Keyless Chuck 10mm
5. Battery
6. Battery release button
7. LED light
8. Loading socket
9. Plug adaptor

## TECHNICAL INFORMATION

**20V Cordless Drill****Model: TP20CD**

Battery voltage: 20 V

Chuck capacity: 0.8 – 10 mm

Max drilling capacity (steel) 6 mm

Max drilling capacity (wood) 20 mm

No load speed: 0 – 650 /min

Max. Torque: 25NM

Torque settings 18 plus drill setting



Protection class III

**Battery charger****Model: XH2150-1500WE**

Input: 100-240V AC/ 50-60Hz 0.8A

Output: 21.5V DC/ 1.5A

Charging time: 1 hour



Protection category II

**Lithium Battery**

Battery model: TP20CDBT

Capacity: 1300 mAh

**Noise and vibration levels**

Sound pressure level 71.3 dB(A);

Sound power level 82.3 dB(A)

Uncertainty KPA: 3.0 dB(A) and KwA:3.0 dB(A)

**Ear protection is required for the user.****Vibration levels**Drilling into metal:  $a_{hD} = 1.698 \text{ m/s}^2$ , uncertainty  $K_D = 1.5 \text{ m/s}^2$ 

The declared vibration total has been measured in accordance with a standard test method and may be used for comparing one tool with another. This total may also be used in a preliminary assessment of exposure.



**Read this entire manual before using this product. Failure to do so can result in serious injury. Save this manual for future reference.**

Copyright© 2021 by FUTURA Direct Ltd. All rights reserved. This manual or any artwork contained herein must not be reproduced in any shape or form without the express written consent of FUTURA Direct Ltd. Diagrams within this manual may not be drawn proportionally. Due to continuing improvements, actual product may differ slightly from the product described herein.

## **SAFETY INSTRUCTIONS**

**Read and Keep the Manual**

Please read carefully all instructions within this manual. Failure to follow all safety warnings can result in serious personal injury. The term "Power Tool" in all of the following warnings refers to your mains operated (corded) or battery operated (cordless) power tool

**1) Work area safety**

- a) Keep work area clean and well lit. Cluttered or dark areas invite accidents.
- b) Do not operate power tools in explosive atmospheres, such as in the presence of flammable liquids, gases or dust. Power tools create sparks which may ignite the dust or fumes.
- c) Keep children and bystanders away while operating a power tool. Distractions can cause you to lose control.

## **2) Electrical safety**

- a) Power tool plugs must match the outlet. Never modify the plug in any way. Do not use any adapter plugs with earthed (grounded) power tools. Unmodified plugs and matching outlets will reduce risk of electric shock.
- b) Avoid body contact with earthed or grounded surfaces, such as pipes, radiators, ranges and refrigerators. There is an increased risk of electric shock if your body is earthed or grounded.
- c) Do not expose power tools to rain or wet conditions. Water entering a power tool will increase the risk of electric shock.
- d) Do not abuse the power cord. Never use the cord for carrying, pulling or unplugging the power tool. Keep cord away from heat, oil, sharp edges or moving parts. Damaged or entangled cords increase the risk of electric shock.
- e) When operating a power tool outdoors, use an extension cord suitable for outdoor use. Use of a cord suitable for outdoor use reduces the risk of electric shock.
- f) If operating a power tool in a damp location is unavoidable, use a residual current device (RCD) protected supply. Use of an RCD reduces the risk of electric shock.

## **3) Personal safety**

- a) Stay alert, watch what you are doing and use common sense when operating a power tool. Do not use a power tool while you are tired or under the influence of drugs, alcohol or medication. A moment of inattention while operating power tools may result in serious personal injury.
- b) Use personal protective equipment. Always wear eye protection. Protective equipment such as dust mask, non-skid safety shoes, hard hat, or hearing protection used for appropriate conditions will reduce personal injuries.
- c) Prevent unintentional starting. Ensure the switch is in the off-position before connecting to power source and/or battery pack, picking up or carrying the tool. Carrying power tools with your finger on the switch or energizing power tools that have the switch on invites accidents.
- d) Remove any adjusting key or wrench before turning the power tool on. A wrench or a key left attached to a rotating part of the power tool may result in personal injury.
- e) Do not overreach. Keep proper footing and balance at all times. This enables better control of the power tool in unexpected situations.
- f) Dress properly. Do not wear loose clothing or jewellery. Keep your hair, clothing and gloves away from moving parts. Loose clothes, jewellery or long hair can be caught in moving parts.
- g) If devices are provided for the connection of dust extraction and collection facilities, ensure these are connected and properly used. Use of dust collection can reduce dust-related hazards.

#### **4) Power tool use and care**

- a) Do not force the power tool. Use the correct power tool for your application. The correct power tool will do the job better and safer at the rate for which it was designed.
- b) Do not use the power tool if the switch does not turn it on and off. Any power tool that cannot be controlled with the switch is dangerous and must be repaired.
- c) Disconnect the plug from the power source and/or the battery pack from the power tool before making any adjustments, changing accessories, or storing power tools. Such preventive safety measures reduce the risk of starting the power tool accidentally.
- d) Store idle power tools out of the reach of children and do not allow persons unfamiliar with the power tool or these instructions to operate the power tool. Power tools are dangerous in the hands of untrained users.
- e) Maintain power tools. Check for misalignment or binding of moving parts, breakage of parts and any other condition that may affect the power tool's operation. If damaged, have the power tool repaired before use. Many accidents are caused by poorly maintained power tools.
- f) Keep cutting tools sharp and clean. Properly maintained cutting tools with sharp cutting edges are less likely to bind and are easier to control.
- g) Use the power tool, accessories and tool bits etc. in accordance with these instructions, taking into account the working conditions and the work to be performed. Use of the power tool for operations different from those intended could result in a hazardous situation.

#### **5) Battery tool use and care**

- a) Recharge only with the charger specified by the manufacturer. A charger that is suitable for one type of battery pack may create a risk of fire when used with another battery pack.
- b) Use power tools only with specifically designated battery packs. Use of any other battery packs may create a risk of injury and fire.
- c) When battery pack is not in use, keep it away from other metal objects, like paper clips, coins, keys, nails, screws or other small metal objects, that can make a connection from one terminal to another. Shorting the battery terminals together may cause burns or a fire.
- d) Under abusive conditions, liquid may be ejected from the battery; avoid contact. If contact accidentally occurs, flush with water. If liquid contacts eyes, additionally seek medical help. Liquid ejected from the battery may cause irritation or burns.

#### **6) Service**

- a) Have your power tool serviced by a qualified repair person using only identical replacement parts. This will ensure that the safety of the power tool is maintained.

### **Special Instructions for cordless drill**

**Read this owner's manual completely and make sure you understand all of its safety guidelines.**

- 1) Do not overload the appliance. Use the correct tool for your work. You will be able to work better and more safely within the given performance boundaries.
- 2) Do not use an electric tool with a defective switch. An electric tool that cannot be switched on or off is dangerous and must be repaired.
- 3) Pull the plug out of the socket and/or remove the battery before making any adjustments to the appliance, changing accessories or put the appliance down. This safety measure prevents starting the electric tool unintentionally.
- 4) Keep unused electric tools out of the reach of children. Do not allow people who are not familiar with the appliance or who have not read these instructions to use the appliance. Electric tools are dangerous if they are used by inexperienced people.
- 5) Clean your electric tool carefully. Check whether moving parts are functioning properly and not jamming, whether parts are broken or damaged enough that the function of this electric tool is affected. Have damaged parts repaired before using the appliance. Many accidents are caused by badly maintained electric tools.
- 6) Keep your cutting tools sharp and clean. Carefully maintained cutting tools with sharp cutting edges will jam less and are easier to control.
- 7) Make sure to use electric tools, accessories, attachments, etc. in accordance with these instructions. Take the conditions in your work area and the job in hand into account. Using electric tools for any purpose other than the one for which they are intended can lead to dangerous situations.
- 8) Ensure that the tool is switched off before you insert the battery. Inserting a battery into an electric tool that is switched on can cause accidents.
- 9) Only charge the batteries in chargers that are recommended by the manufacturer. A charger that is designed for a certain type of battery may pose a fire risk if it is used with other types of battery.
- 10) Use only the correct batteries in the electric tools. The use of other batteries may result in injuries and a fire risk.
- 11) Keep unused batteries away from paper clips, coins, keys, nails, screws and other metallic objects that could cause a short circuit between the contacts. A short circuit between the battery contacts may cause burns or a fire.
- 12) In case of incorrect use, fluid may escape from the battery. Avoid contact with it. If you touch it by accident, rinse the affected area with water. If you get the fluid in your eyes, also seek medical advice. Leaking battery fluid can cause skin irritation or burns.

### **Safety Warnings for Battery Pack**

- a) Do not dismantle, open or shred cells or battery pack.
- b) Do not short-circuit a battery pack. Do not store battery packs haphazardly in a box or drawer where they may short-circuit each other or be short-circuited by conductive materials. When battery pack is not in use, keep it away from other metal objects, like paper clips, coins, keys, nails, screws or other small metal objects that can make a connection from one terminal to another. Shorting the battery terminals together may cause burns or a fire.

- c) Do not expose battery pack to heat or fire. Avoid storage in direct sunlight.
- d) Do not subject battery pack to mechanical shock.
- e) In the event of battery leaking, do not allow the liquid to come into contact with the skin or eyes. If contact has been made, wash the affected area with copious amounts of water and seek medical advice.
- f) Seek medical advice immediately if a cell or battery pack has been swallowed.
- g) Keep battery pack clean and dry.
- h) Wipe the battery pack terminals with a clean dry cloth if they become dirty.
- i) Battery pack needs to be charged before use. Always refer to this instruction and use the correct charging procedure.
- j) Do not leave battery pack on charge when not in use.
- k) After extended periods of storage, it may be necessary to charge and discharge the battery pack several times to obtain maximum performance.
- l) Battery pack gives its best performance when it is operated at normal room temperature (20 °C ± 5 °C).
- m) When disposing of battery packs, keep battery packs of different electrochemical systems separate from each other.
- n) Recharge only with the charger specified. Do not use any charger other than that specifically provided for use with the equipment. A charger that is suitable for one type of battery pack may create a risk of fire when used with another battery pack.
- o) Do not use any battery pack which is not designed for use with the equipment.
- p) Keep battery pack out of the reach of children.
- q) Retain the original product literature for future reference.
- r) Remove the battery from the equipment when not in use.
- s) Dispose of properly.

### **Additional Safety Instructions for Your Battery Charger**

1. Do not charge a leaking battery.
2. Do not use chargers for tools other than those for which they are designed.
3. Before charging, ensure your charger matches the local AC supply.
4. For indoor use, do not expose to rain.
5. The charging device must be protected from moisture.
6. Do not short out the contacts of battery or charger.
7. Do not open the unit and keep out of the reach of children.
8. Do not charge the batteries of other manufacturers or ill-suited models.
9. Ensure that the connection between the battery charger and battery is correctly positioned and is not obstructed by foreign bodies.
10. Keep battery charger's slots free of foreign objects and protect against dirt and humidity. Store the unit in a dry and frost-free place.
11. When charging batteries, ensure that the battery charger is in a well-ventilated area and away from flammable materials. Batteries can get hot during charging. Do not overcharge any batteries. Ensure that batteries and chargers are not left unsupervised during charging.
12. Do not recharge non-rechargeable batteries, as they can overheat and break.

13. Longer life and better performance can be obtained if the battery pack is charged when the air temperature is between 18°C and 24°C. Do not charge the battery pack in air temperatures below 4.5°C, or above 40.5°C. This is important as it can prevent serious damage to the battery pack.

14. Charge only battery packs of the same model provided.

### **Power Extension Cords**

When using any extension cord the machine will suffer a power reduction due to the drop in voltage caused by the length of the cord. This can be partially offset by selecting extension cords with lower gauge wire.

Check all extension cords for damage before use.

Avoid sharp objects.

Do not position the cord where it could be subject to traffic passing over it.

### **Symbols**

**IMPORTANT:** Some of the following symbols may be used on your tool.

V.....volts

A.....amperes

Hz.....hertz

~.....alternating current

.../m.....revolutions per minute

 .....class II construction (double insulated)

Kg.....kilograms

$n_0$ .....No load speed

CE .....Conforms to European safety standards

DC .....Direct Current

### **Unpacking**

Carefully remove the product and any accessories from the box. Make sure that all items listed in the packing list are included.

### **Packing List**

A) Drill

B) Battery

C) Charger

D) 13 pcs accessory

E) Manual

### **Charging the Battery Pack** (Fig. 2)

The battery must be charged before first use. Only after several charge and discharge cycles the battery will attain full capacity.

- Only use the provided adaptor to charge the battery set.

- Only charge the battery set when the ambient temperature is within 10° - 40°C.
- Plug the adaptor to a 230V alternating voltage source.
- The battery should under no circumstances be disassembled.
- To remove the battery, press the battery release button on the top side of the battery set and extract the battery.
- Connect the plug of the charger to the loading-socket of the battery-set.
- Red LED will light once the battery has been connected to the charger and the charging procedure will proceed.
- The battery set is completely loaded and ready for use once the green LED is lit and the red LED is OFF–after approximately 1 hour.

## **USING YOUR DRILL**

### **Positioning and removing a drill or screw bit (Fig.3)**

This tool is equipped with a keyless chuck.

- Open the chuck by turning the collar.
- Insert the drill or screw bit in the chuck.
- Close the chuck by firmly tightening the front collar (A) while holding the rear part (B) of the chuck with the other hand.
- In order to remove the drill or screw bit proceed in reverse order. Before positioning or removing a drill or screw bit always remove the battery from the machine.

### **Forward/reverse switch**

- Push the forward/reverse switch from right to left side to drill holes and fasten screws.
- Push the forward/reverse switch from left to right side to loosen screws. Always wait until the motor has come to a complete standstill before changing the direction of rotation.

### **Adjusting the torque**

This machine has been fitted with an adjustable coupling (18+1 pos) to limit the torque when tightening screws.

- Turn the adjustment collar clockwise to reduce the torque and counterclockwise to increase the torque. The correct setting depends on the type and size of the screw and the workpiece.
- In case of doubt, start with the lowest setting and increase the torque until you have reached the desired result.
- For drilling, turn the adjustment collar fully counterclockwise (to the drilling symbol).

### **Switching on and off**

- To switch on the machine, press the on/off switch.
- To switch off the machine, release the on/off switch.

## **Drilling**

Place the bit on the work surface and apply firm pressure before starting. Too much pressure will slow the bit and reduce drilling efficiency. Too little pressure will cause the bit to slide over the work area and dull the point of the bit. If the tool begins to stall, reduce pressure slightly to allow the bit to regain speed. If the bit binds, reverse the motor to free the bit from the workpiece.

## **Drilling in wood**

1. Make an indentation at the desired hole location using a centre punch or nail.
2. Place a piece of waste wood under the workpiece or drill the hole from both sides to avoid damaging the workpiece at hole breakthrough.

## **Driving wood screws**

1. Where possible use crosshead wood screws.
2. Ensure that you use the correctly sized screwdriver bit.
3. Drill an appropriately sized pilot hole before driving in the screw. Driving without pilot holes increases the risk that the wood may split or that the screw may break.

## **Drilling in metal**

1. Make an indentation at the desired location using a centre punch.
2. Always secure the workpiece using an appropriate clamping device. Lay a piece of wood under thin sheets of metal to prevent deformation.
3. Use only well sharpened HSS drill bits when drilling metal. If a large hole diameter is required, drill a pilot hole using a smaller bit first.
4. When drilling metal, consult the following table to determine the appropriate lubricant.

<b>Material</b>	<b>Lubricant</b>
Steel	Oil
Aluminium	Turpentine or paraffin
Brass, Copper, Cast iron	No lubricant (Remove the drill bit from hole regularly to aid cooling)

## CARE AND MAINTENANCE

### Before cleaning

Always pull out the mains power plug before starting any cleaning work.

There are no parts inside the equipment which require additional maintenance.

### Cleaning

1. Keep all safety devices, air vents and the motor housing free of dirt and dust as far as possible. Wipe the equipment with a clean cloth or blow it with compressed air at low pressure.
2. We recommend that you clean the device immediately each time you have finished using it.
3. Clean the equipment regularly with a moist cloth and some soft soap. Do not use cleaning agents or solvents; these could attack the plastic parts of the equipment. Ensure that no water can seep into the device. The ingress of water into an electric tool increases the risk of an electric shock.

### Disposal of the exhausted battery

**WARNING:** Do not dispose of the exhausted battery. The battery can explode if it is incinerated. The product that you have purchased contains a rechargeable battery. The battery is recyclable. At the end of its useful life, under various state and local laws, it may be illegal to dispose of this battery into the municipal waste stream. Check with your local solid waste officials for details in your area for recycling options or proper disposal.

### Disposal

Power tools, accessories and packaging should be sorted for environmentally-friendly recycling.

#### Only for EC countries:



Do not dispose of power tools into household waste!

According to the European Directive 2002/96/EC on waste electrical and electronic equipment and its incorporation into national right, products that are no longer suitable for use must be separately collected and sent for recovery in an

environmentally-friendly manner.

## **DECLARATION OF CONFORMITY**

The declaration is to certify that it conforms to CE, EMC, MD and RoHS directives:  
EN55014-1:2006+A1 + A2  
EN55014-2:2015

All provisions of Annex 1 of Council Directive 2014/30/EU – EMC directive  
EN60745-1: 2009 + A11  
EN60745-2-1: 2010  
EN60745-2-2: 2010

All provisions of Annex 1 of Council Directive 2006/42/EC – the Machinery  
Directive  
RoHs 2011/65/EU



Mr. Paul Kaye, UK QA Manager  
Please read the following carefully  
FUTURA Direct Ltd. and/or its distributor have  
provided the parts list and assembly diagram as a

reference tool only.

Neither FUTURA Direct Ltd. or its distributor makes any representation or warranty of any kind to the buyer that he or she is qualified to do any repairs or replace any parts of this product. FUTURA Direct Ltd. and its distributor expressly state that all repairs or parts replacement should be done by certified or licensed technicians. The buyer assumes all risk and liability arising out of his or her repairs or parts replacement to the original product.

## **24 MONTHS LIMITED WARRANTY**

If within 24 months from the date of purchase you experience any problems with your product, please return the product to its distributor/dealer for repair or replacement. This warranty DOES NOT COVER normal wear, or any damage as a result of accidents, misuse, abuse or negligence.

[www.futura direct.co.uk](http://www.futura-direct.co.uk)

We FUTURA Direct Ltd, England DN6 7AY declare that the cordless drill is exclusively manufactured for FUTURA Direct Ltd and has been manufactured according to our fully quality assurance procedures.