



Home Garden

DIRECT

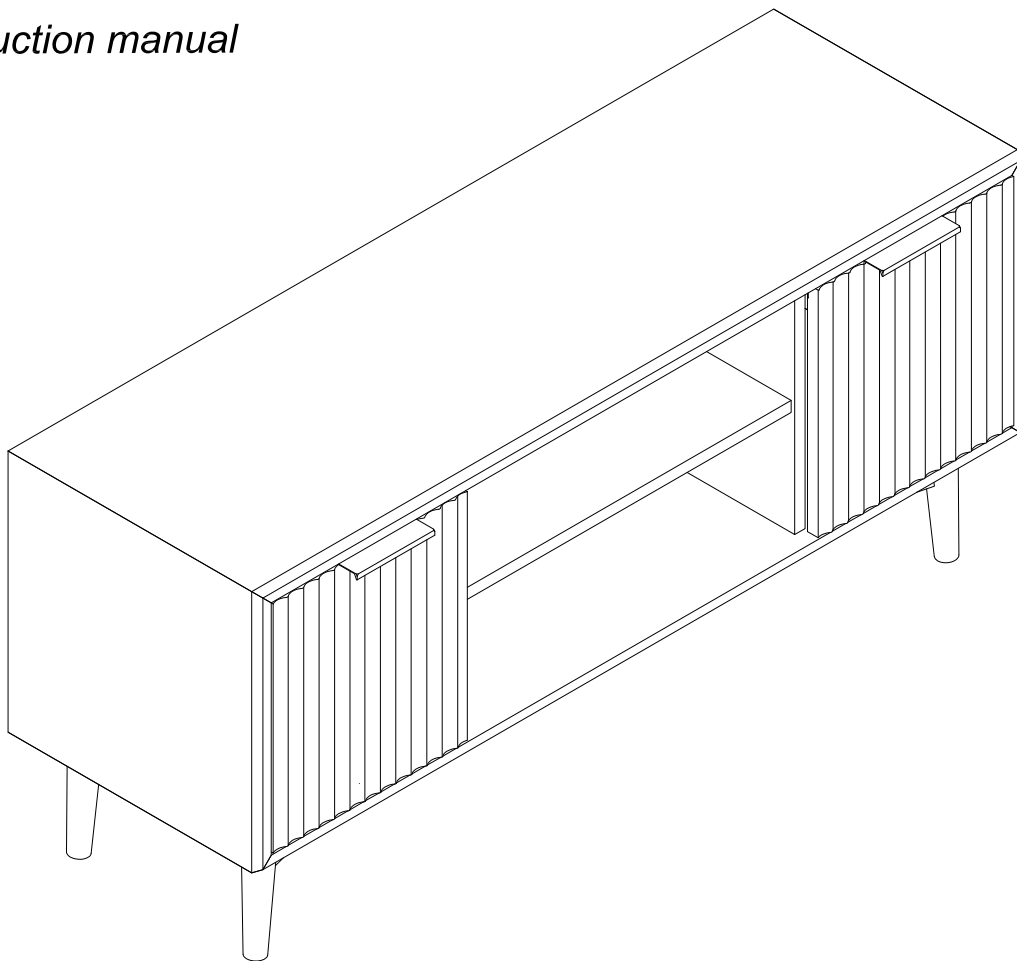


www.homegardendirect.co.uk ⋮

IR063 TV Unit
BLACK / GREY

MNZ-TV-BLK-01
MNZ-TV-GRY-01

Instruction manual

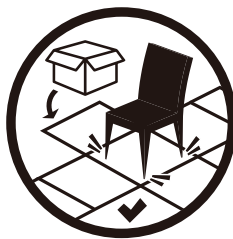




SAFETY AND CARE ADVICE

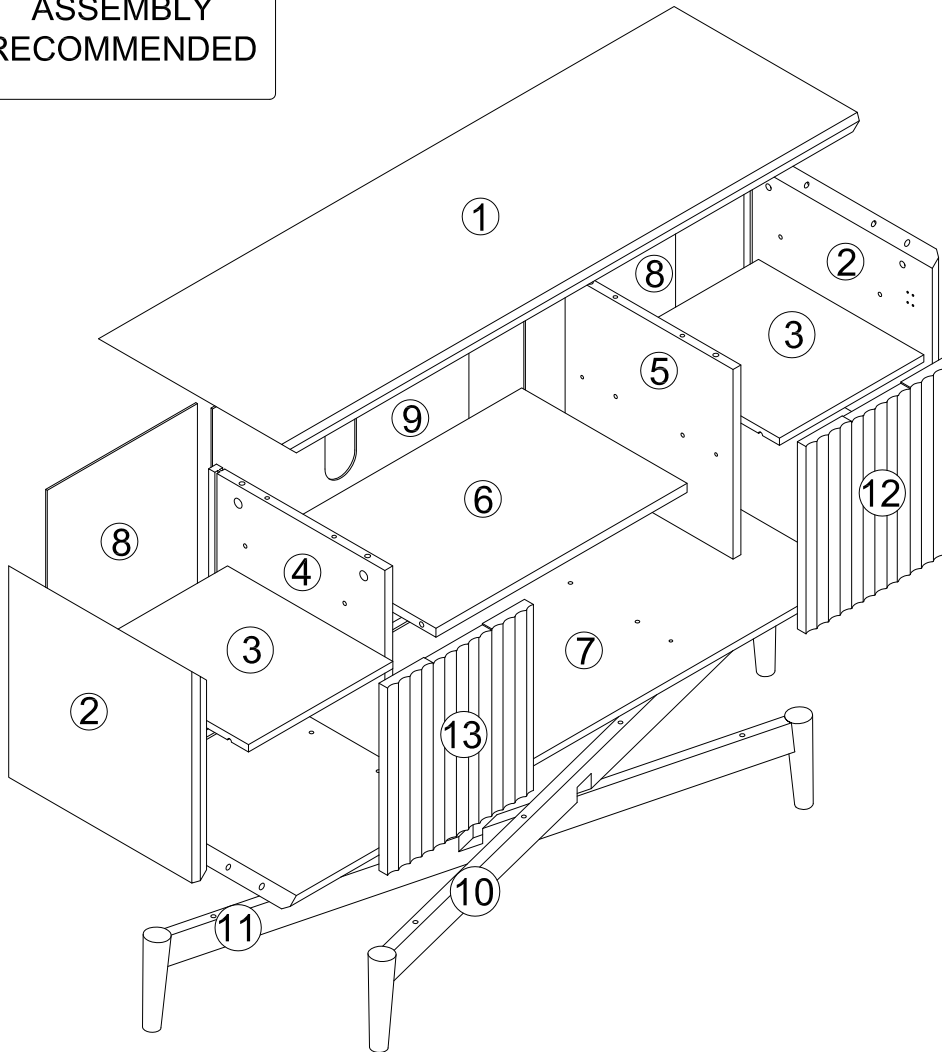
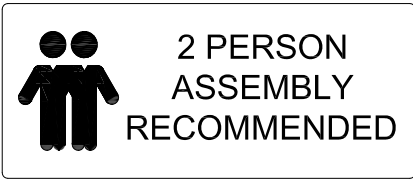
PLEASE READ THESE INSTRUCTIONS CAREFULLY AND KEEP FOR FUTURE

- Check you have all the components and tools listed on pages 2 or 3.
- Remove all fittings from the plastic bags and separate them into their groups.
- Keep children and animals away from the work area, small parts could choke if swallowed.
- Make sure you have enough space to layout the parts before starting.
- Do not stand or put weight on the product, this could cause damage.
- Assemble on a soft level surface to avoid damaging the unit or your floor (use opened out unit carton).
- We do not recommend the use of power drill/drivers for inserting screws, as this could damage the unit. Only use hand screwdrivers.



COMPONENTS — PANELS

Please check you have all the fittings listed below:

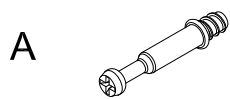


PANEL LIST

1	Top Panel	x1	8	Side Back Panel	x2
2	Side Panel	x2	9	Middle Back Panel	x1
4	Left Partition Panel	x1	10	Upper Base Frame	x1
5	Right Partition Panel	x1	11	Lower Base Frame	x1
6	Fixed Shelf	x1	3	Adjustable Shelf	x2
7	Bottom Panel	x1	12	Right Door	x1
			13	Left Door	x1

COMPONENTS — FITTINGS

Please check you have all the fittings listed below:



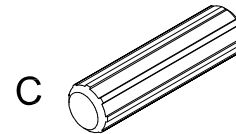
A

Peg M6*35mm x8



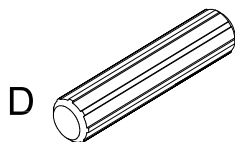
B

Lock x8



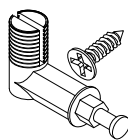
C

Dowel M6*30mm x20



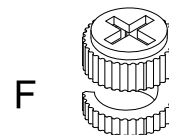
D

Dowel M8*30mm x4



E

Peg M6*35mm x8



F

Lock x8



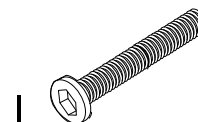
G

Back buckle x12



H

Screw M3*14mm x12



I

Bolt M6*50mm x4



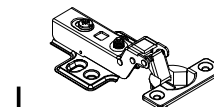
J

Screw M3.5*12mm x4



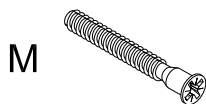
K

Screw M4*12mm x24



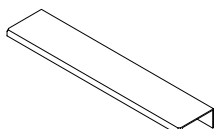
L

Full Overly Hinge x4



M

Screw M5*40mm x4



N

Handle x2



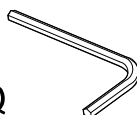
O

Shelf Holder x8



P

Felt Mat x4



Q

Allen Wrench x1

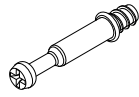

TOOLS NEEDED

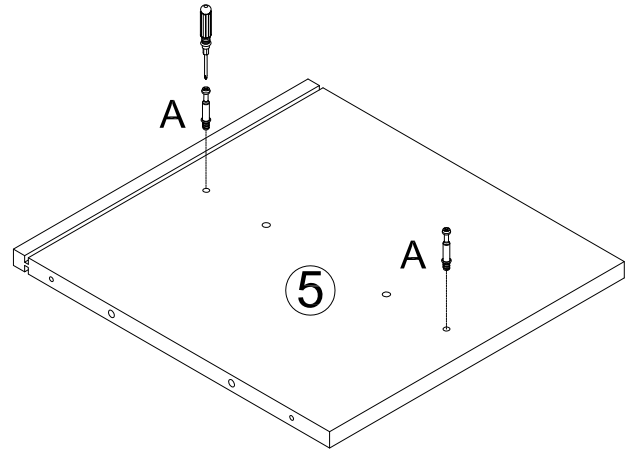
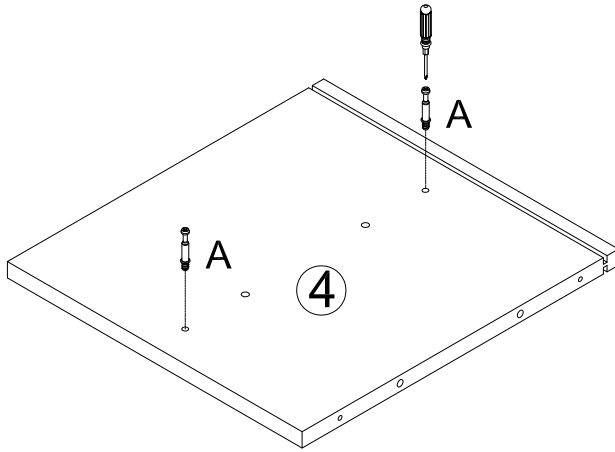


Phillips Screwdriver x1

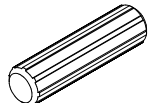


ASSEMBLY INSTRUCTIONS

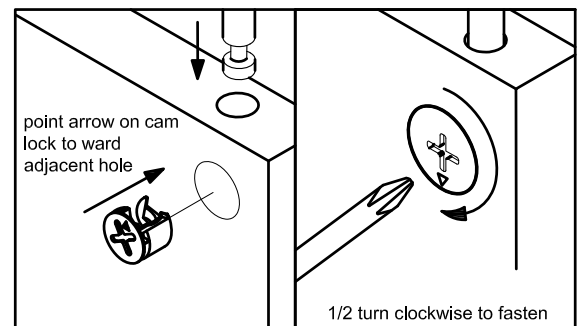
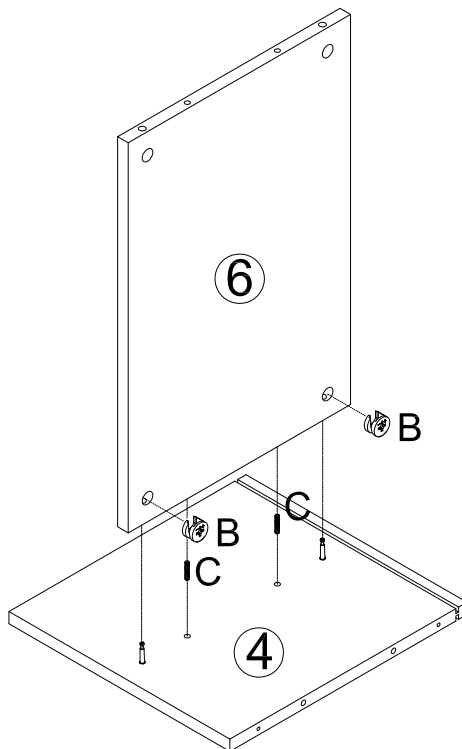
Step 1

A		4	
---	---	---	---



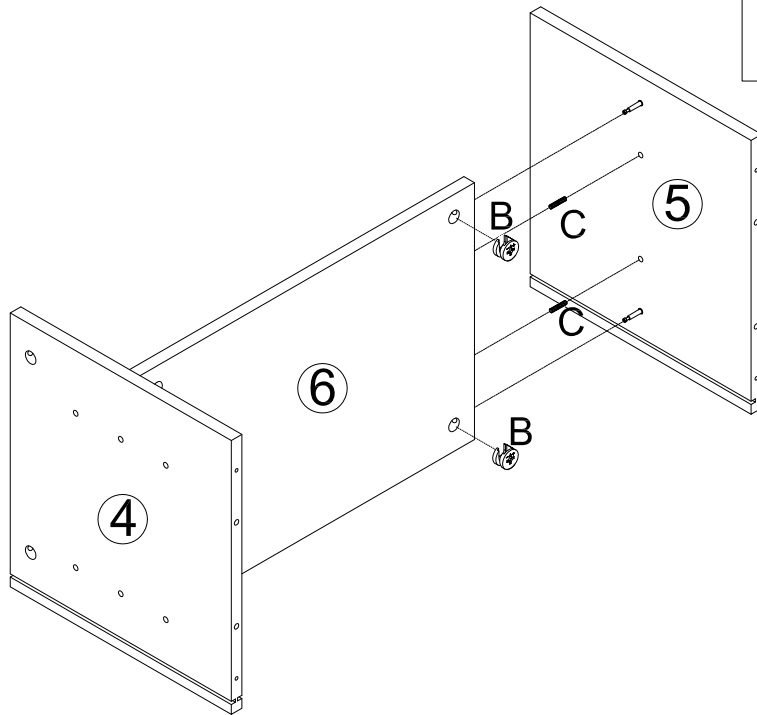
Step 2

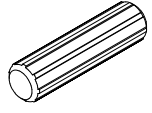


C		2	
B		2	



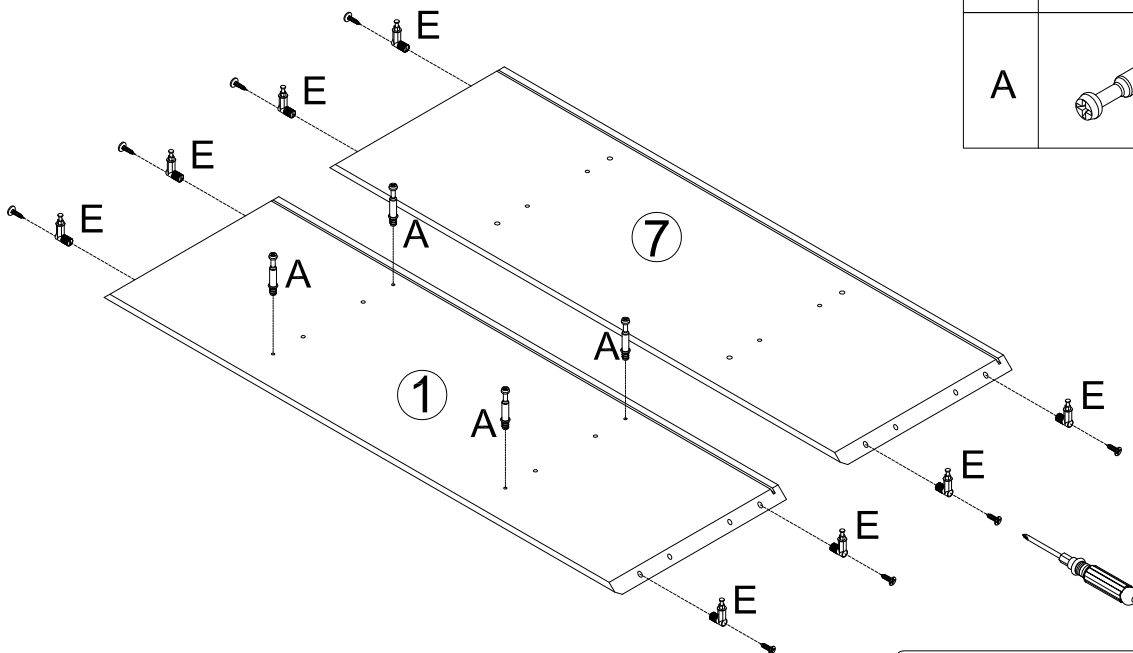
ASSEMBLY INSTRUCTIONS

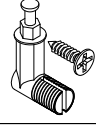

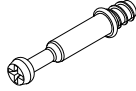

Step 3



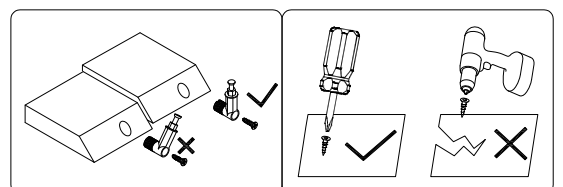
C		2	
B		2	

Step 4



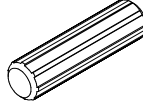


E		8	
A		4	

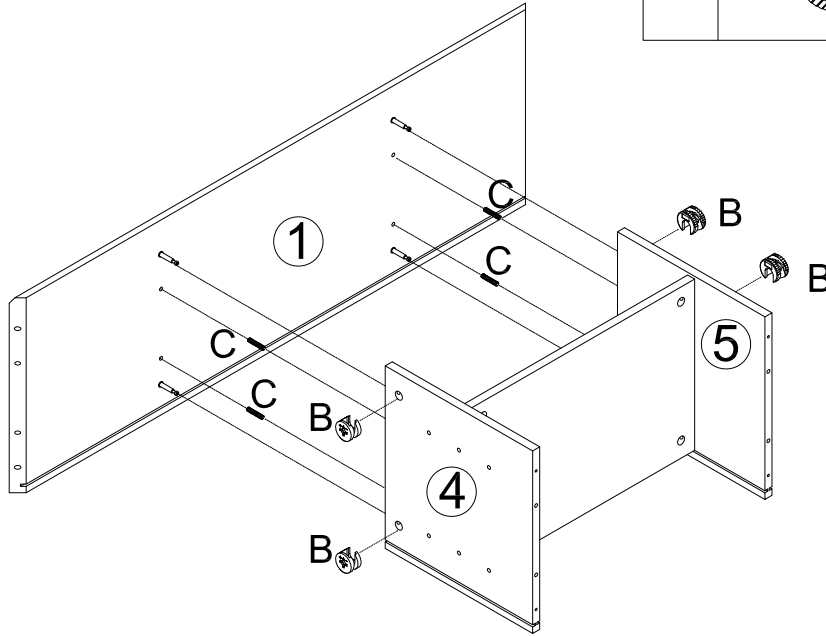
Warning:
Don't use power tools when screwing.
Ensure pegs straight when screwing.



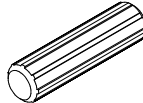
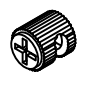

ASSEMBLY INSTRUCTIONS

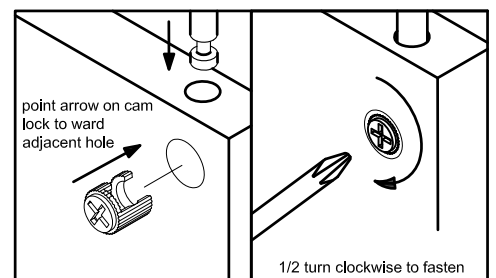
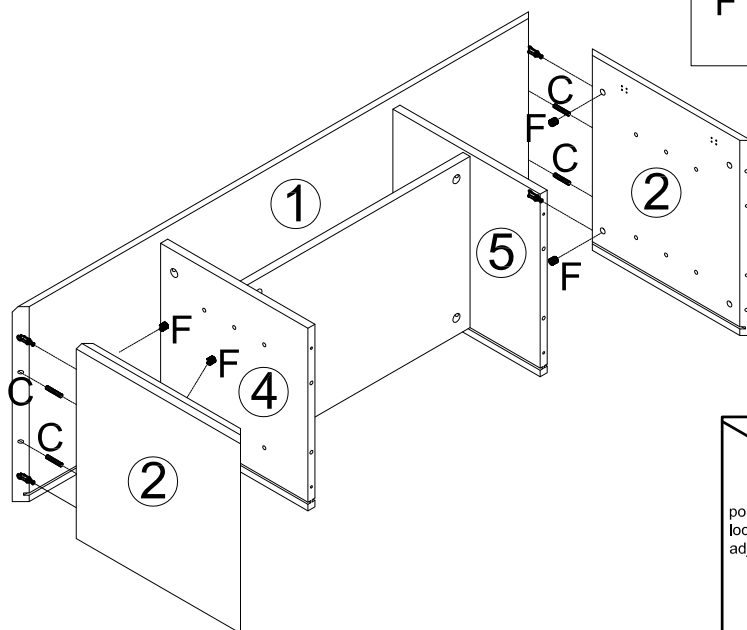
Step 5

C		4	
B		4	



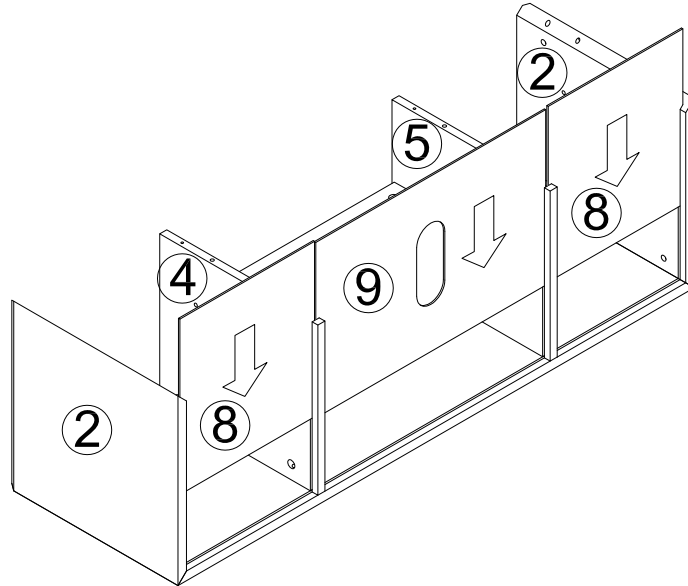
Step 6

C		4	
F		4	

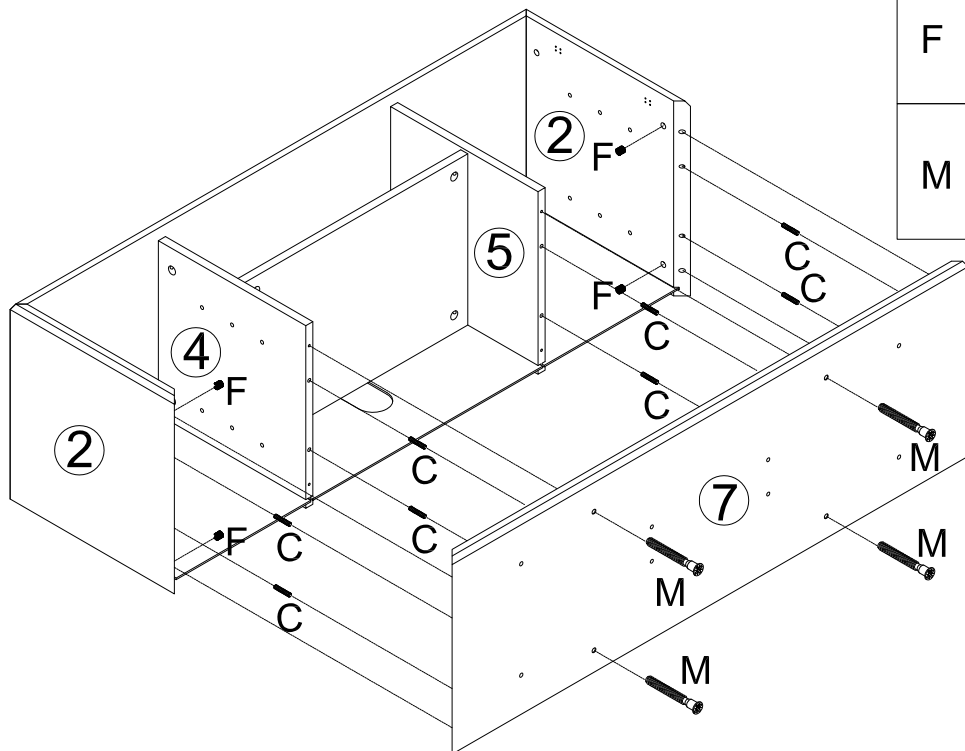


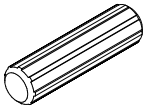




ASSEMBLY INSTRUCTIONS

Step 7



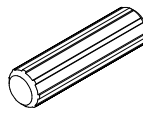
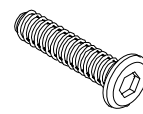

Step 8

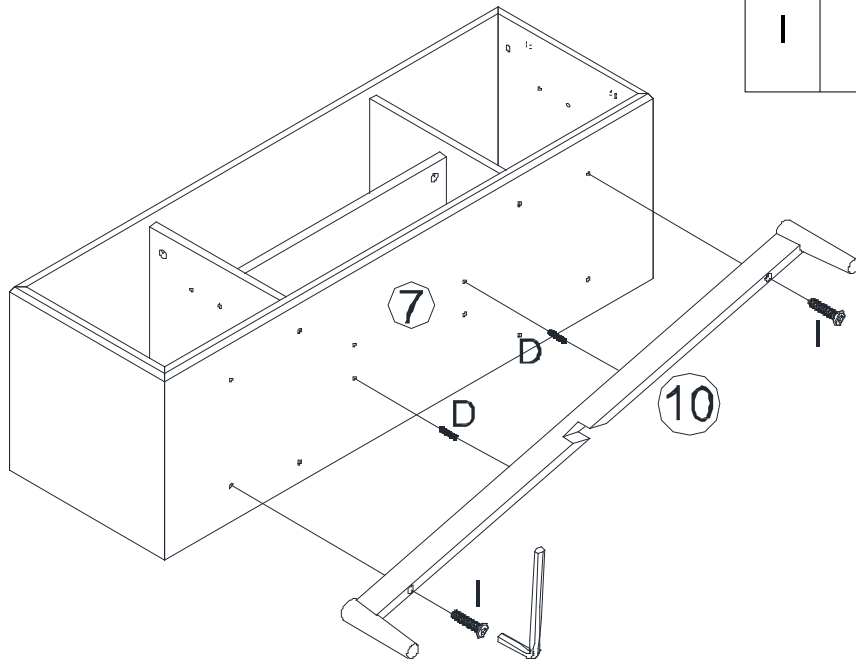


C		8	
F		4	
M		4	

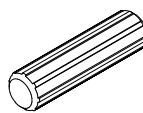
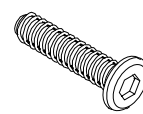
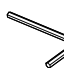

ASSEMBLY INSTRUCTIONS

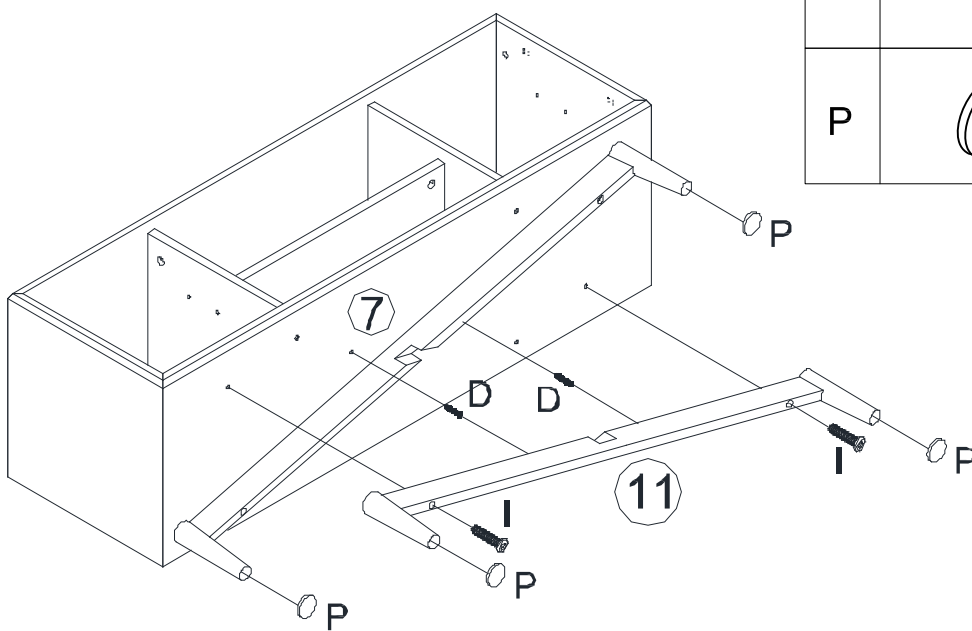
Step 9

D		2	
I		2	



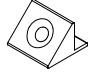
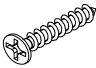

Step 10

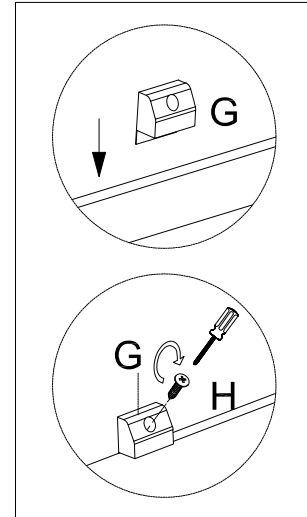
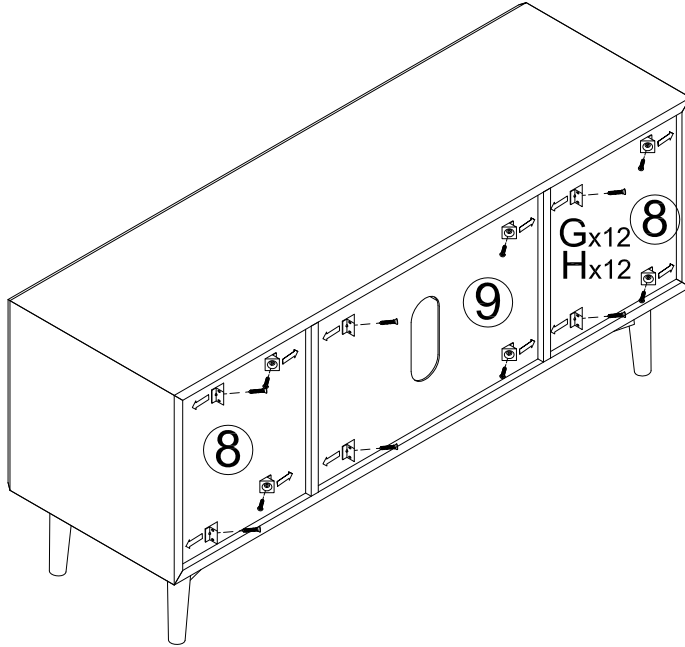
D		2	
I		2	
P		4	



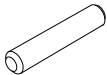
ASSEMBLY INSTRUCTIONS

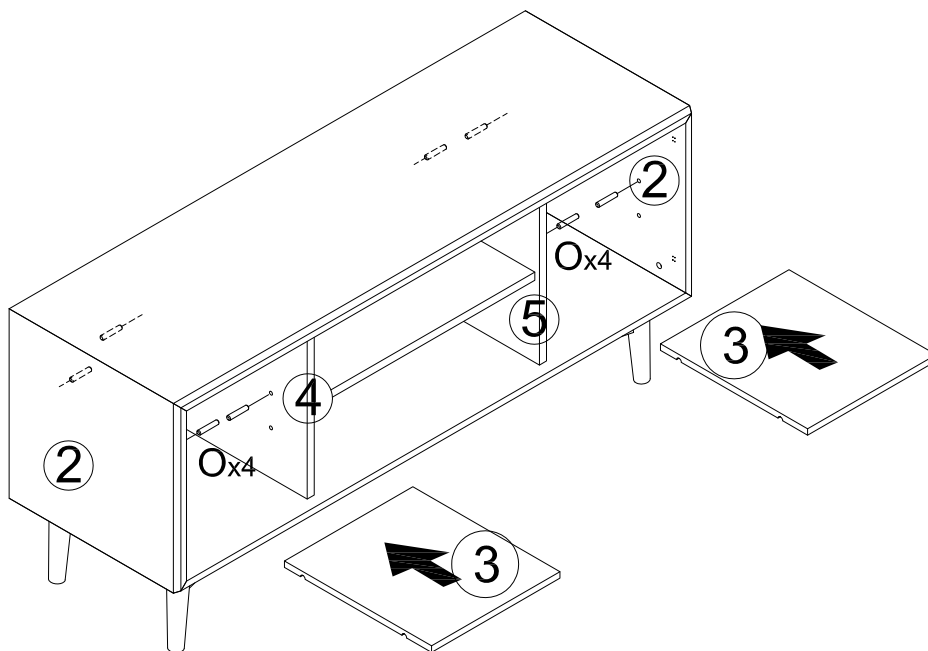
Step 11

G		12	
H		12	



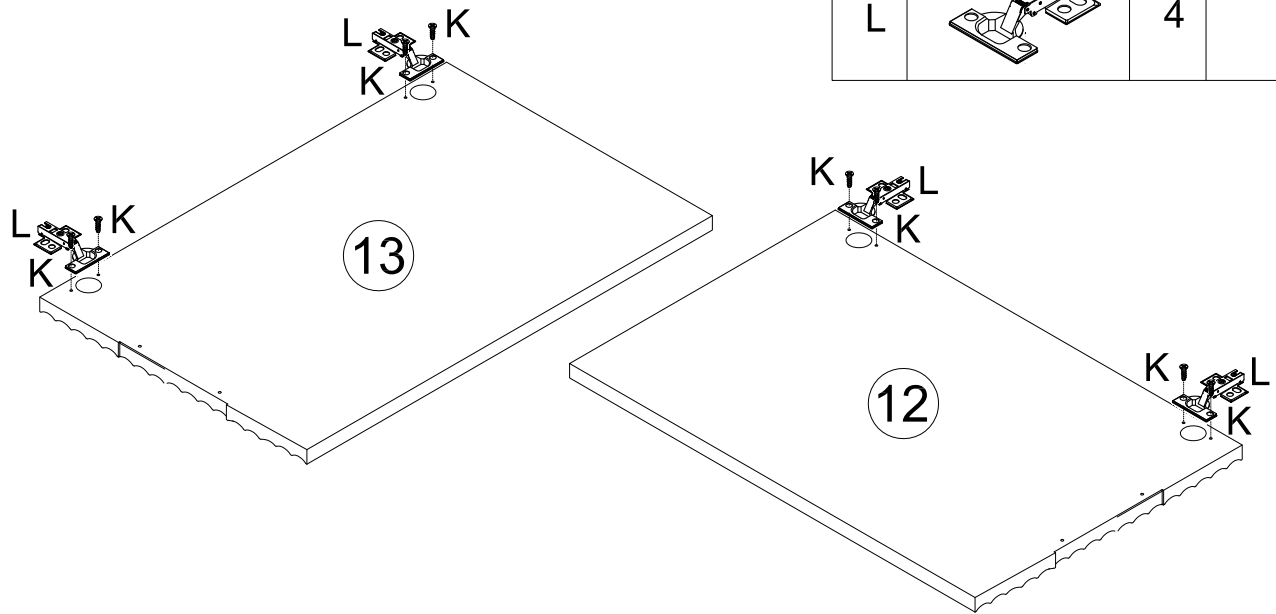
Step 12



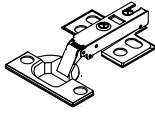
O		8	
---	---	---	--



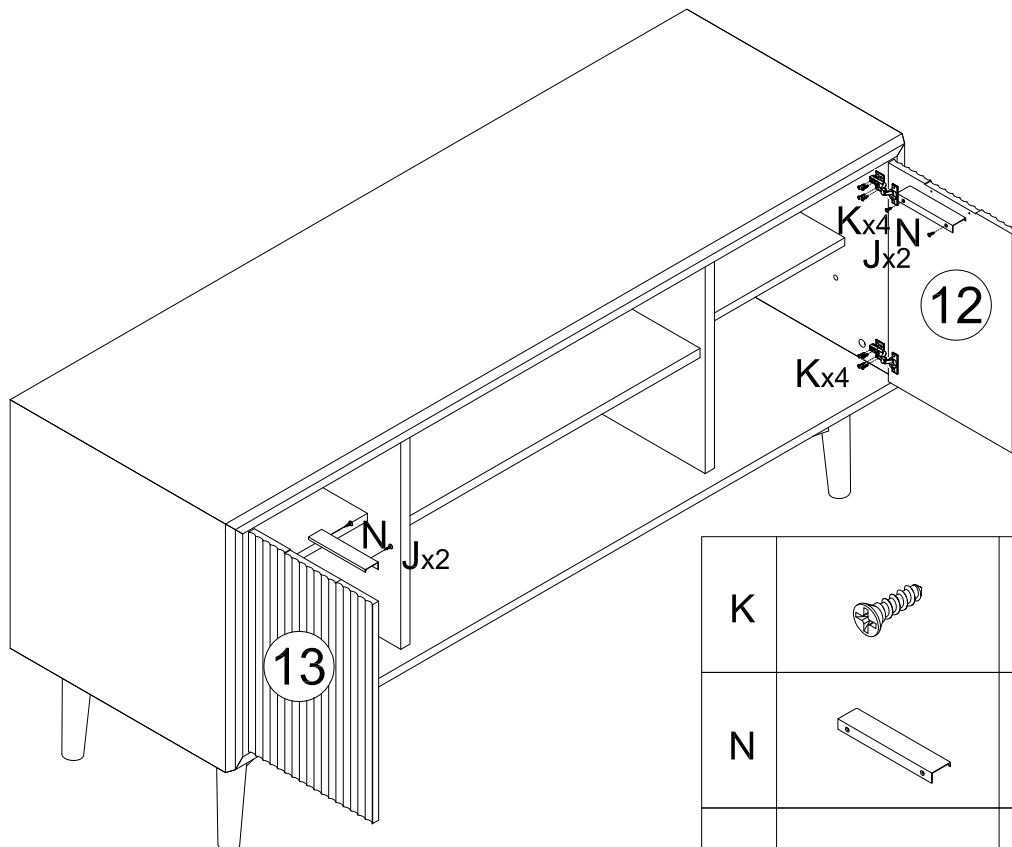
ASSEMBLY INSTRUCTIONS

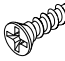

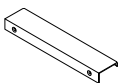


Step 13



K		8	
L		4	

Step 14



K		16	
N		2	
J		4	

ASSEMBLY INSTRUCTIONS

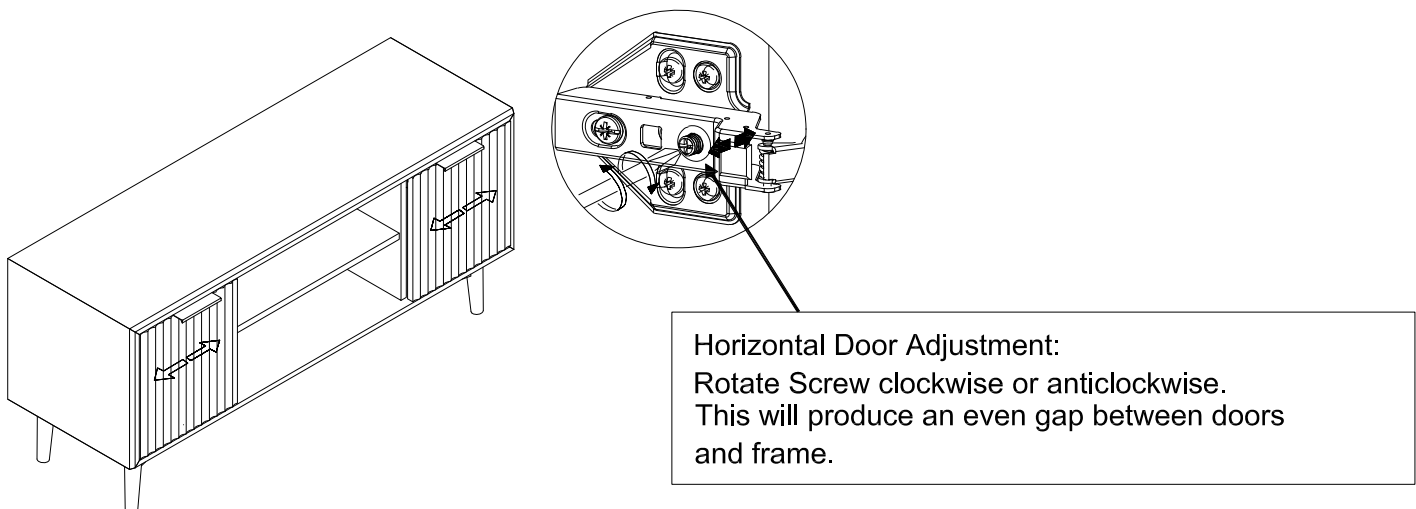
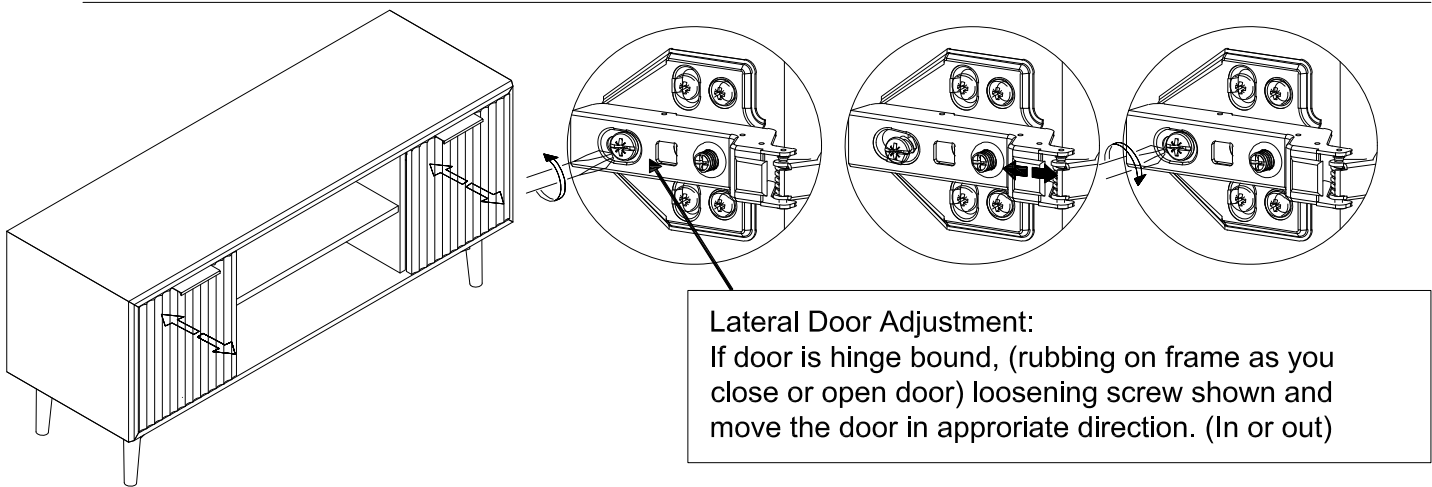
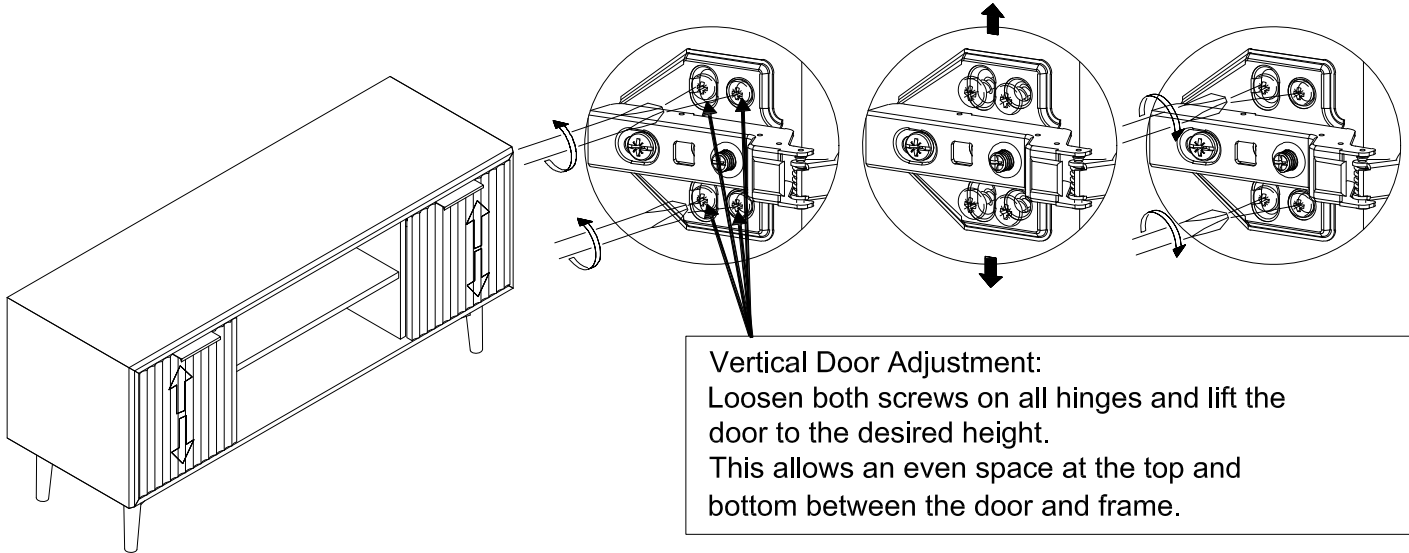
Step 15



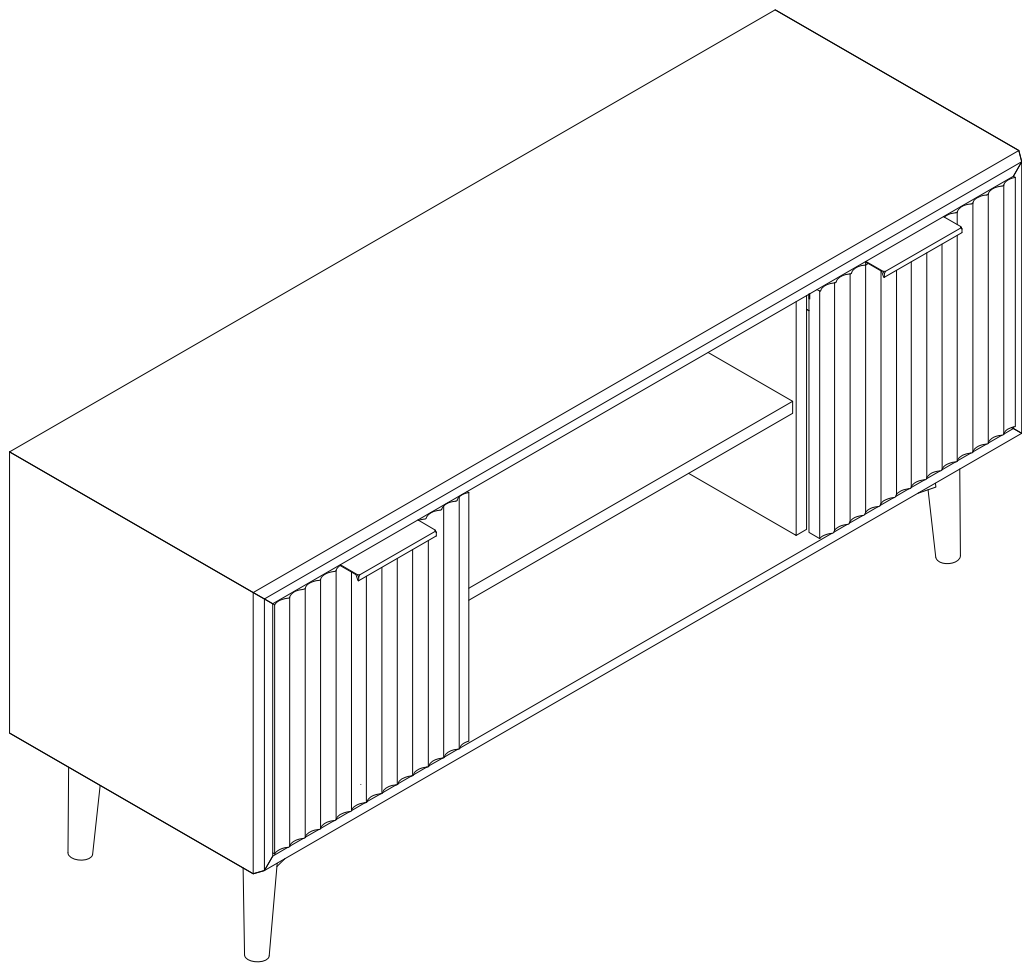
Customer Attention:

To align doors and control gap in between doors. Product doors may need adjusting during and after assembly.

This can be done by adjusting appropriate screws. See below illustration.



ASSEMBLY INSTRUCTIONS



Congratulations.
Now you have finished assembling the product.