



Home Garden

DIRECT



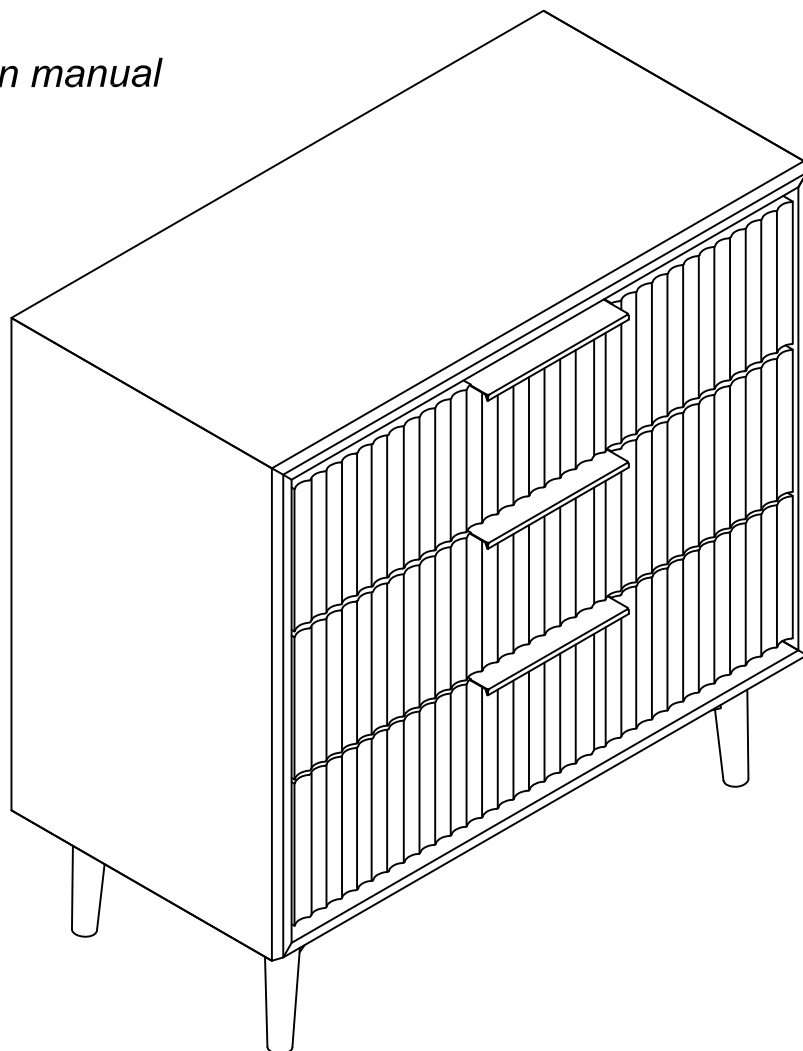
www.homegardendirect.co.uk ⋮

IR063 3 Drawer Chest BLACK / GREY

MNZ-3DWR-CST-BLK-01

MNZ-3DWR-CST-GRY-01

Instruction manual





SAFETY AND CARE ADVICE

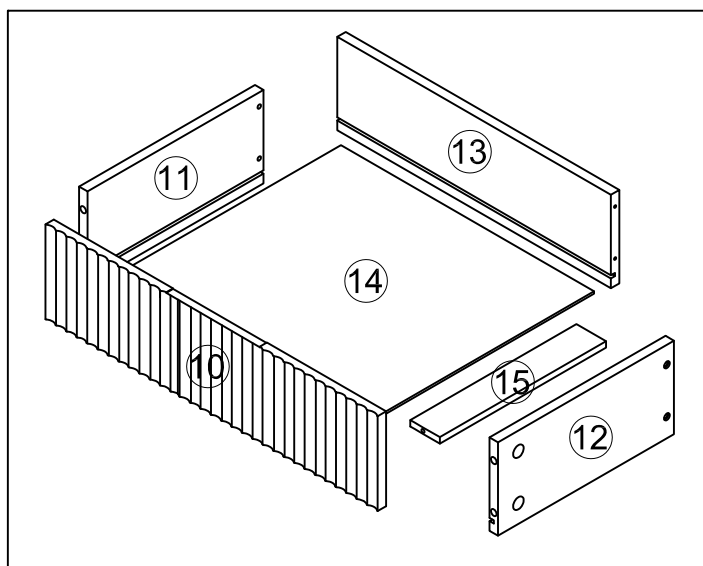
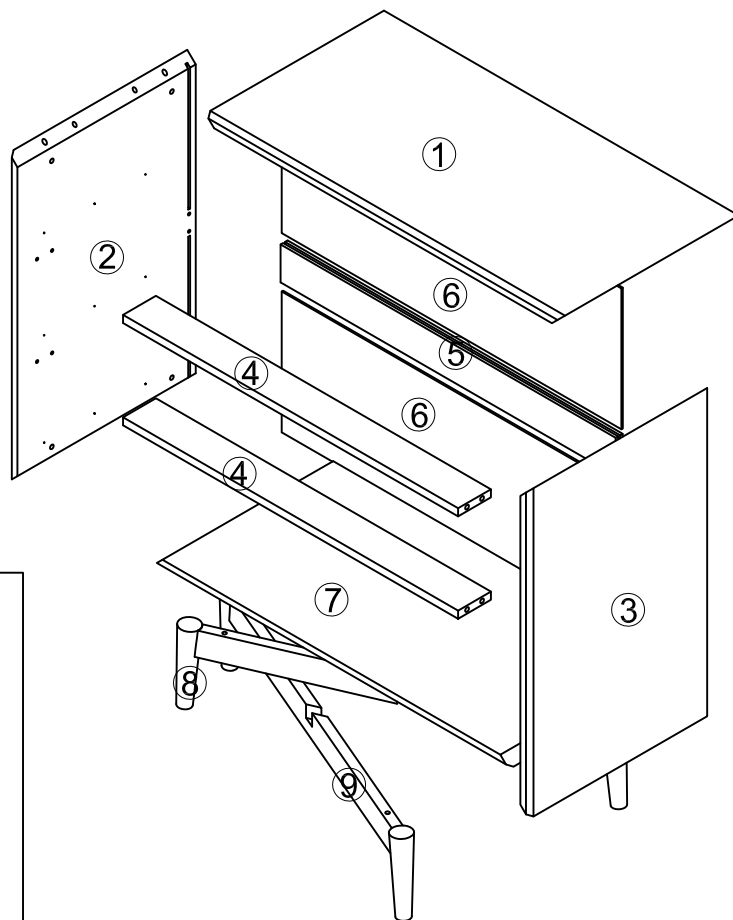
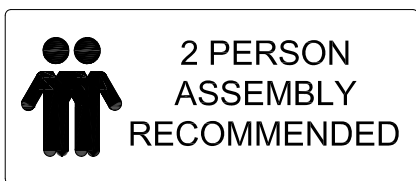
PLEASE READ THESE INSTRUCTIONS CAREFULLY AND KEEP FOR FUTURE

- Check you have all the components and tools listed on pages 2 or 3.
- Remove all fittings from the plastic bags and separate them into their groups.
- Keep children and animals away from the work area, small parts could choke if swallowed.
- Make sure you have enough space to layout the parts before starting.
- Do not stand or put weight on the product, this could cause damage.
- Assemble on a soft level surface to avoid damaging the unit or your floor (use opened out unit carton).
- We do not recommend the use of power drill/drivers for inserting screws, as this could damage the unit. Only use hand screwdrivers.



COMPONENTS — PANELS

Please check you have all the fittings listed below:



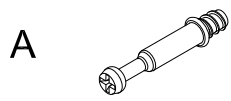
x3

PANEL LIST

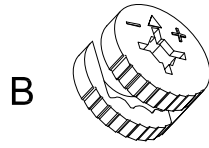
PACK 1/2		PACK 2/2	
1	Top Panel	x1	
2	Left Side Panel	x1	
3	Right Side Panel	x1	
6	Back Panel	x2	
7	Bottom Panel	x1	
8	Upper Base Frame	x1	
9	Lower Base Frame	x1	
14	Drawer Bottom Panel	x3	
			4 Middle Rail
			x2
			5 Back Rail
			x1
			10 Drawer Front
			x3
			11 Drawer Left Side Panel
			x3
			12 Drawer Right Side Panel
			x3
			13 Drawer Back Panel
			x3
			15 Drawer Rail
			x3

COMPONENTS — FITTINGS

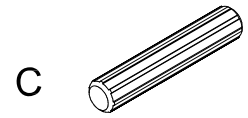
Please check you have all the fittings listed below:



Peg M6*35mm x23



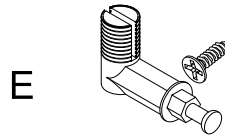
Lock x23



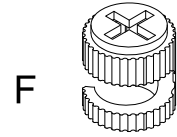
Dowel M6*30mm x12



Screw M3.5*12mm x9



Peg M6*35mm x8



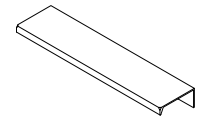
Lock x8



Back buckle x12



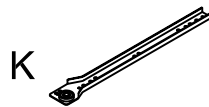
Screw M3*14mm x12



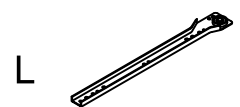
Handle x3



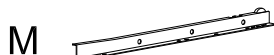
Screw M3*12mm x30



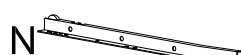
CL
Drawer Runner x3



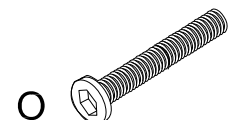
CR
Drawer Runner x3



DL
Drawer Runner x3



DR
Drawer Runner x3



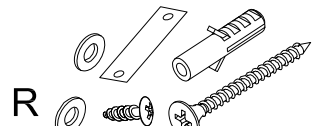
Bolt M6*50mm x4



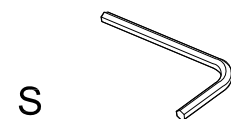
Felt Mat x4



Screw M4*30mm x15



Anti-tipping assembly x2



Allen Wrench x1

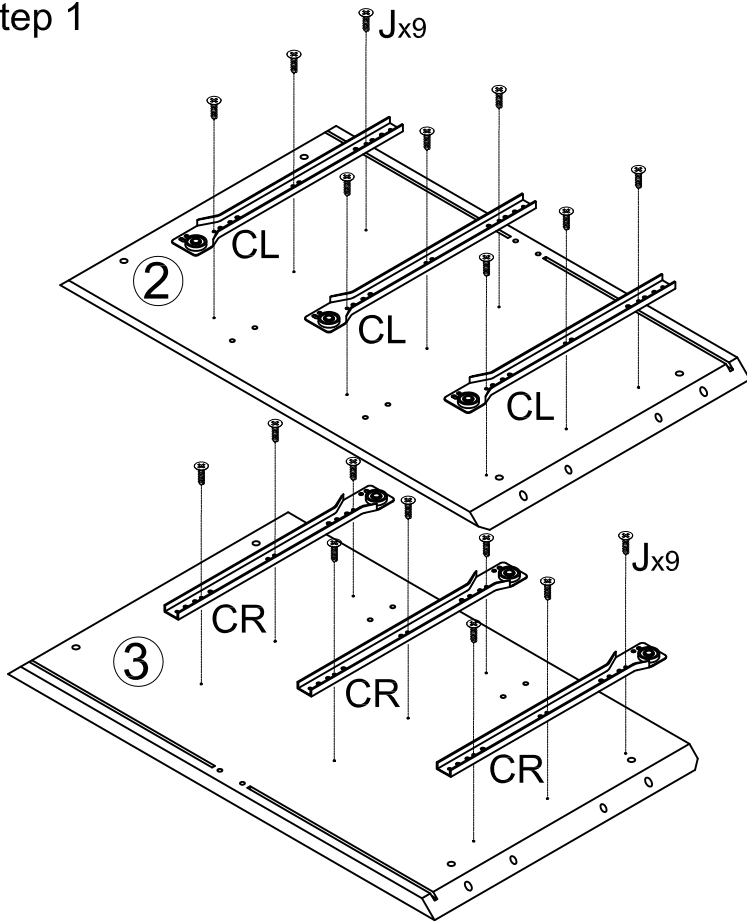
TOOLS NEEDED

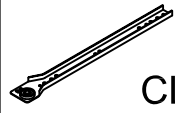
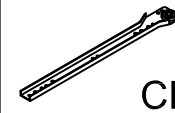
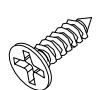



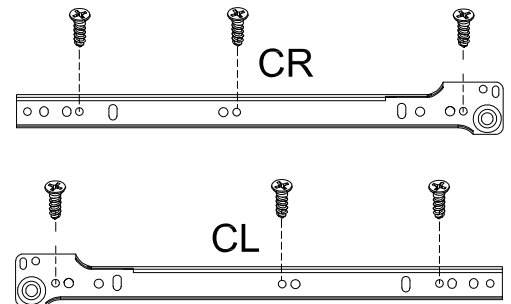
Phillips Screwdriver x1

ASSEMBLY INSTRUCTIONS

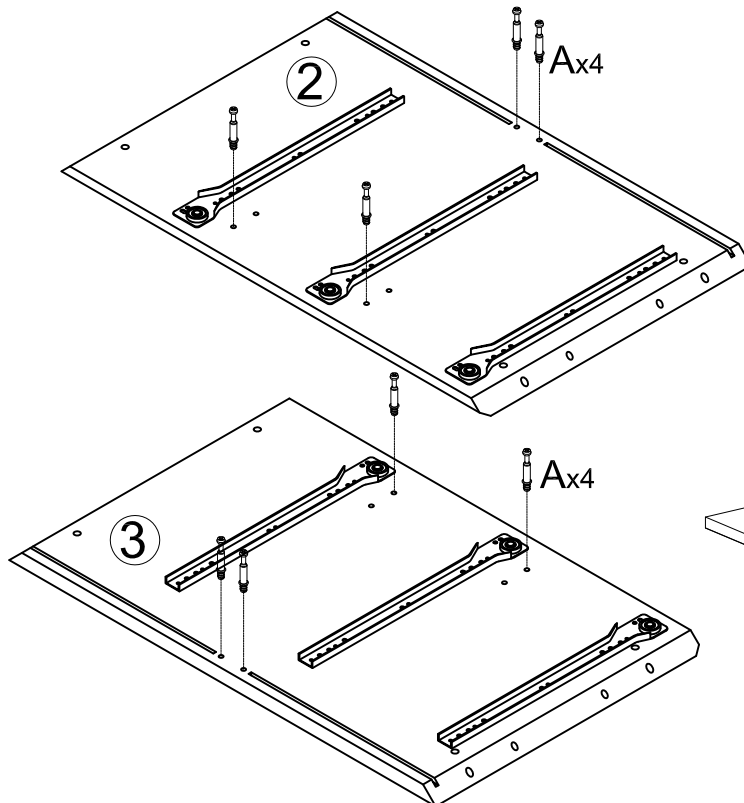
Step 1

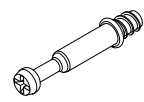



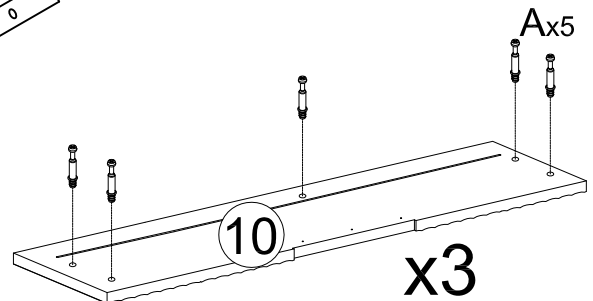
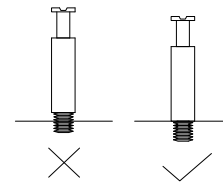
K		CL	3	
L		CR	3	
J			18	



Step 2

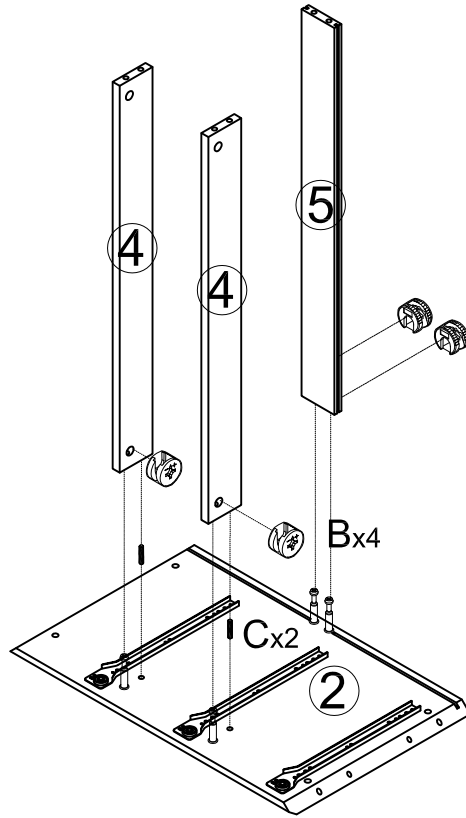




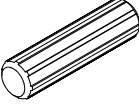
A			23	
---	---	--	----	---

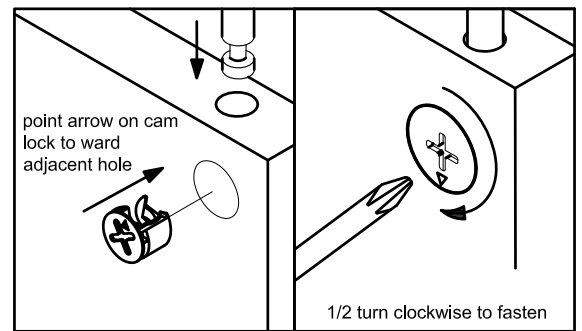


ASSEMBLY INSTRUCTIONS

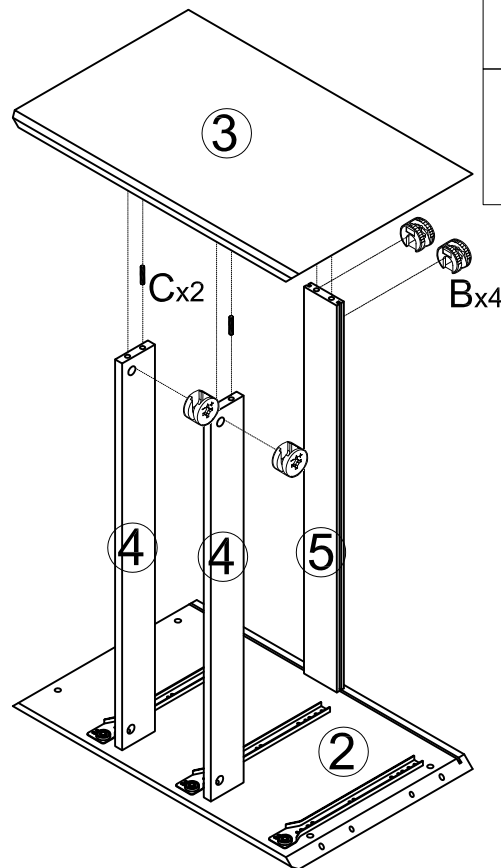
Step 3



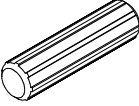


B		4	
C		2	



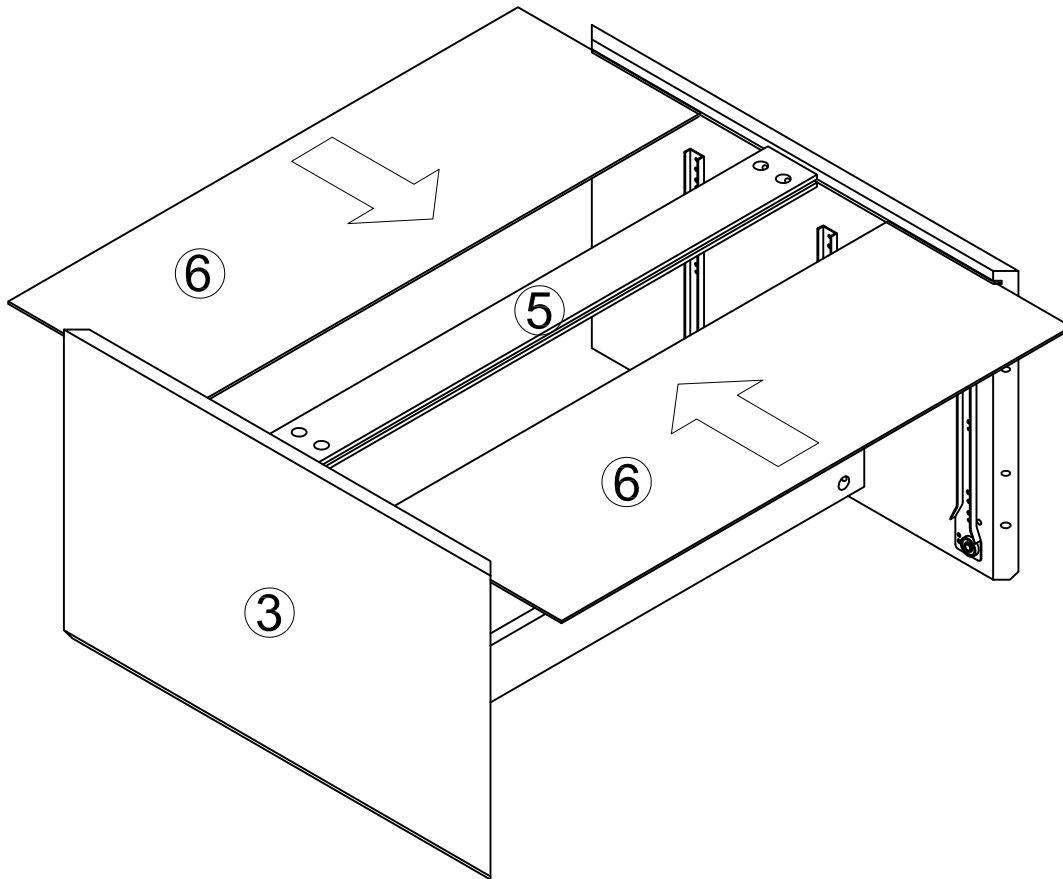
Step 4



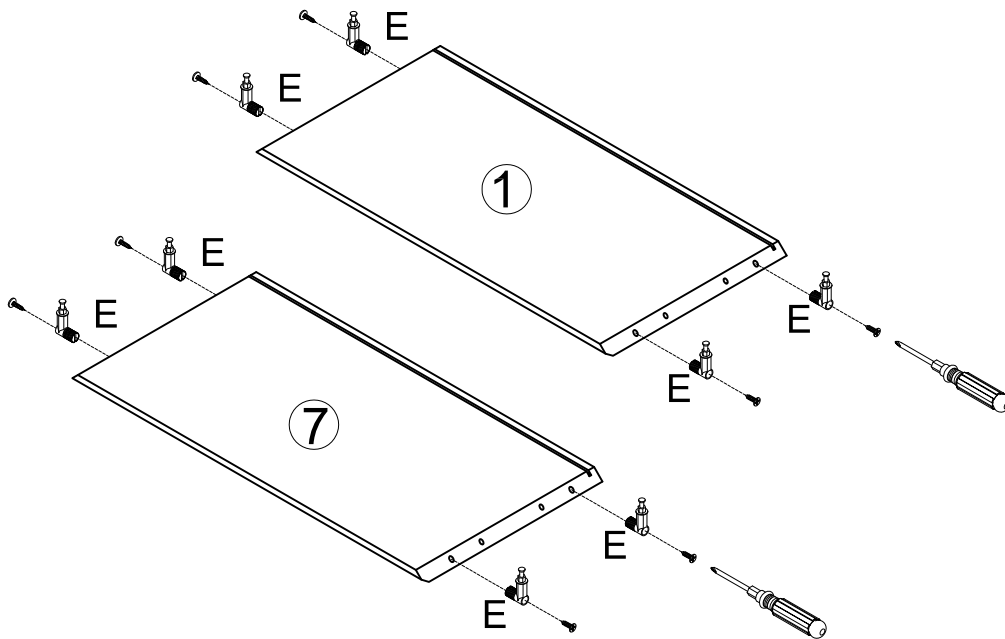
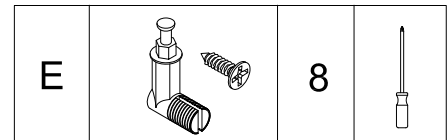
B		4	
C		2	

ASSEMBLY INSTRUCTIONS

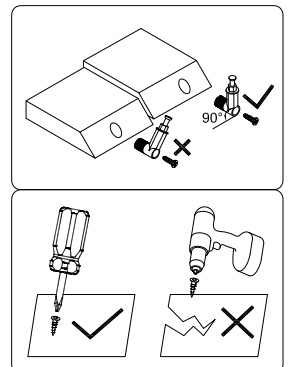
Step 5



Step 6

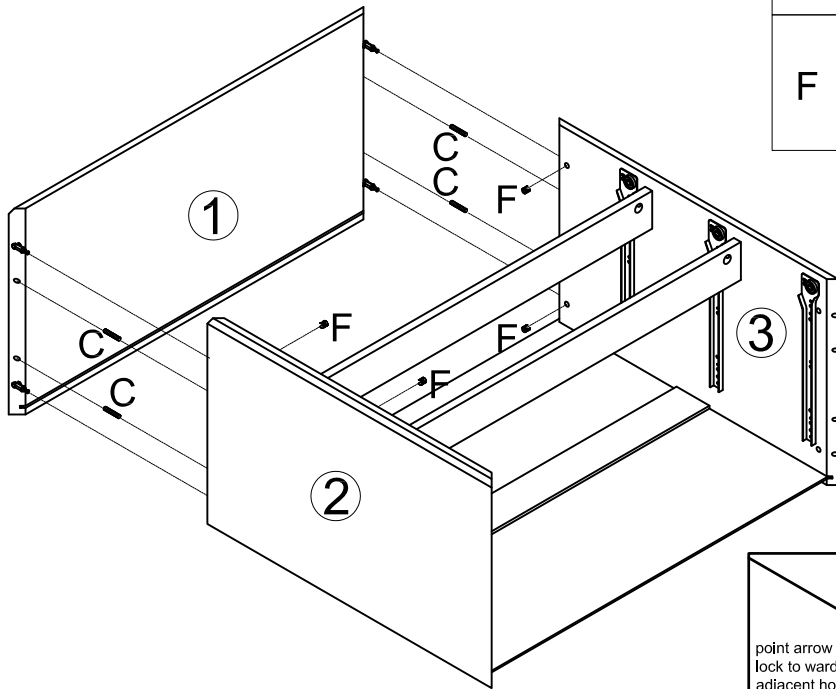


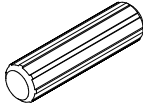


Warning:
Don't use power tools when screwing.
Ensure pegs straight when screwing.

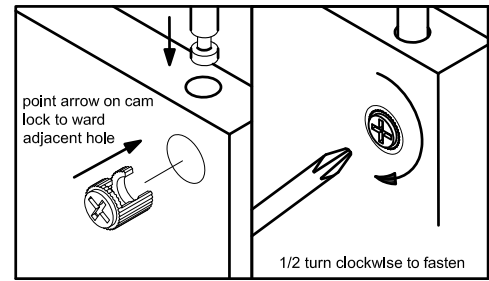


ASSEMBLY INSTRUCTIONS

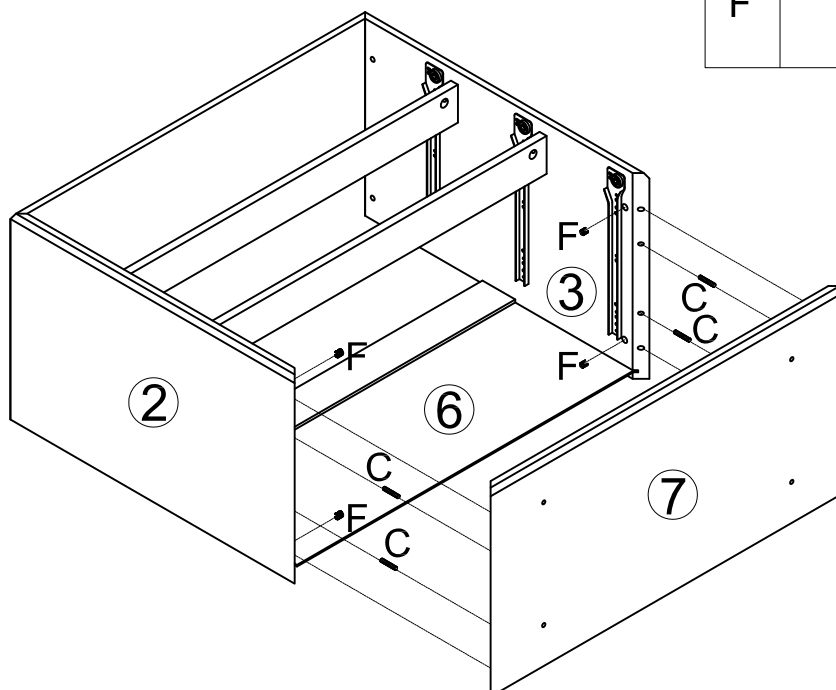
Step 7

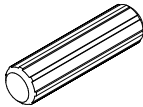
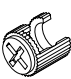



C		4	
F		4	



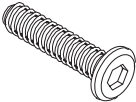

Step 8

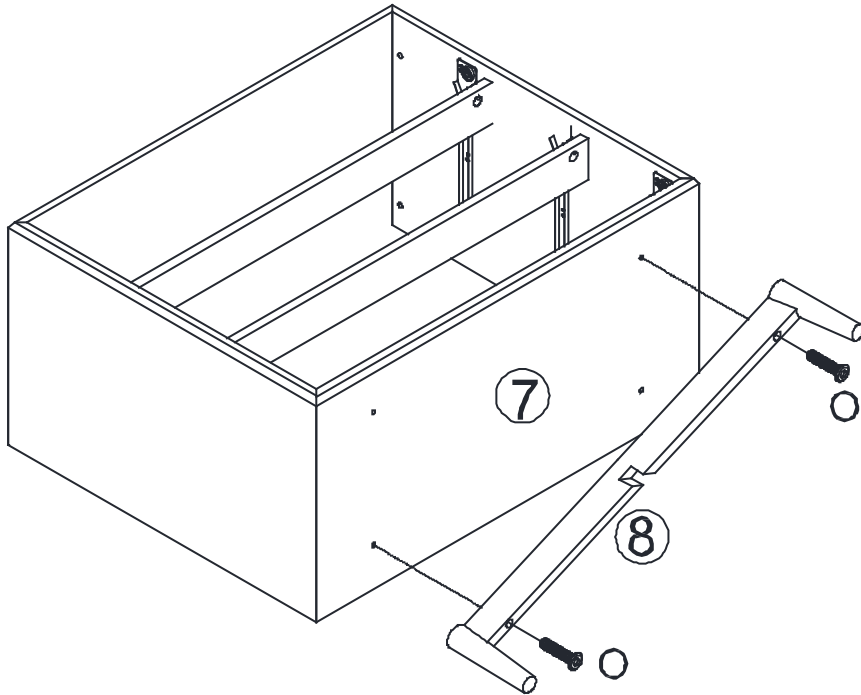


C		4	
F		4	

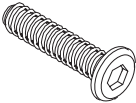


ASSEMBLY INSTRUCTIONS

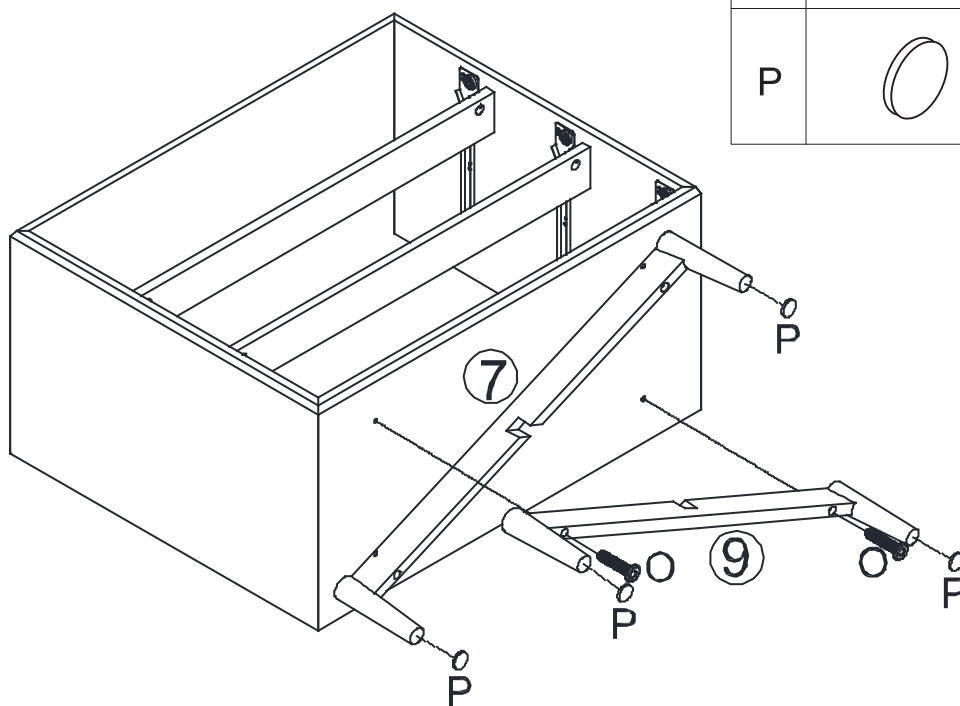
Step 9

O		2	
---	---	---	---



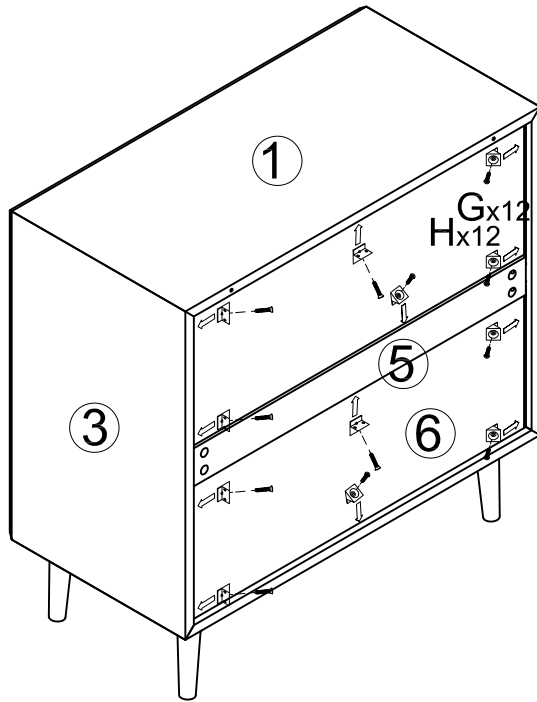
Step 10

O		2	
P		4	

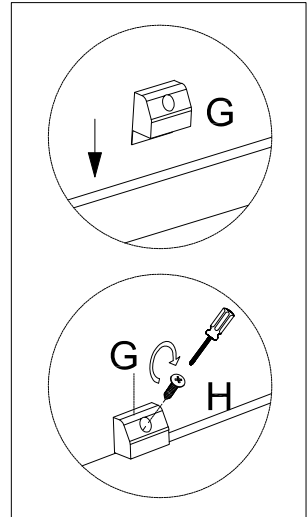


ASSEMBLY INSTRUCTIONS

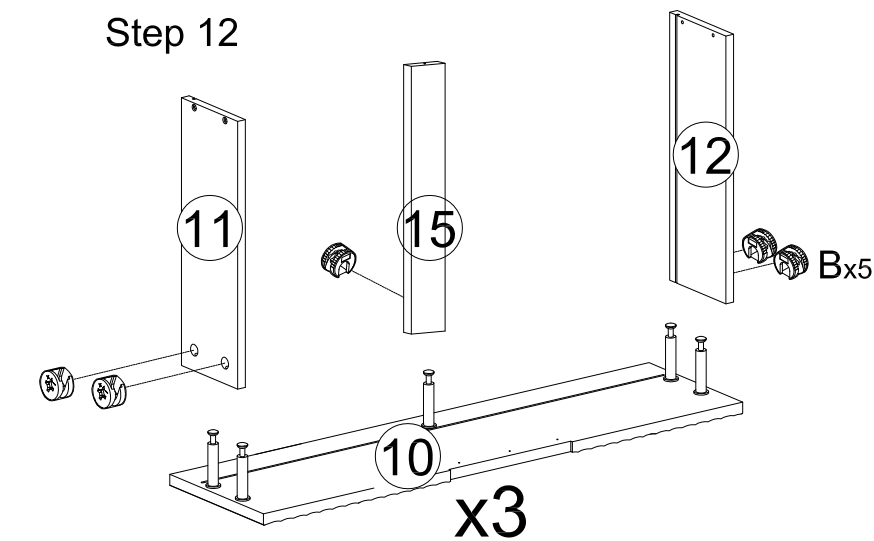
Step 11



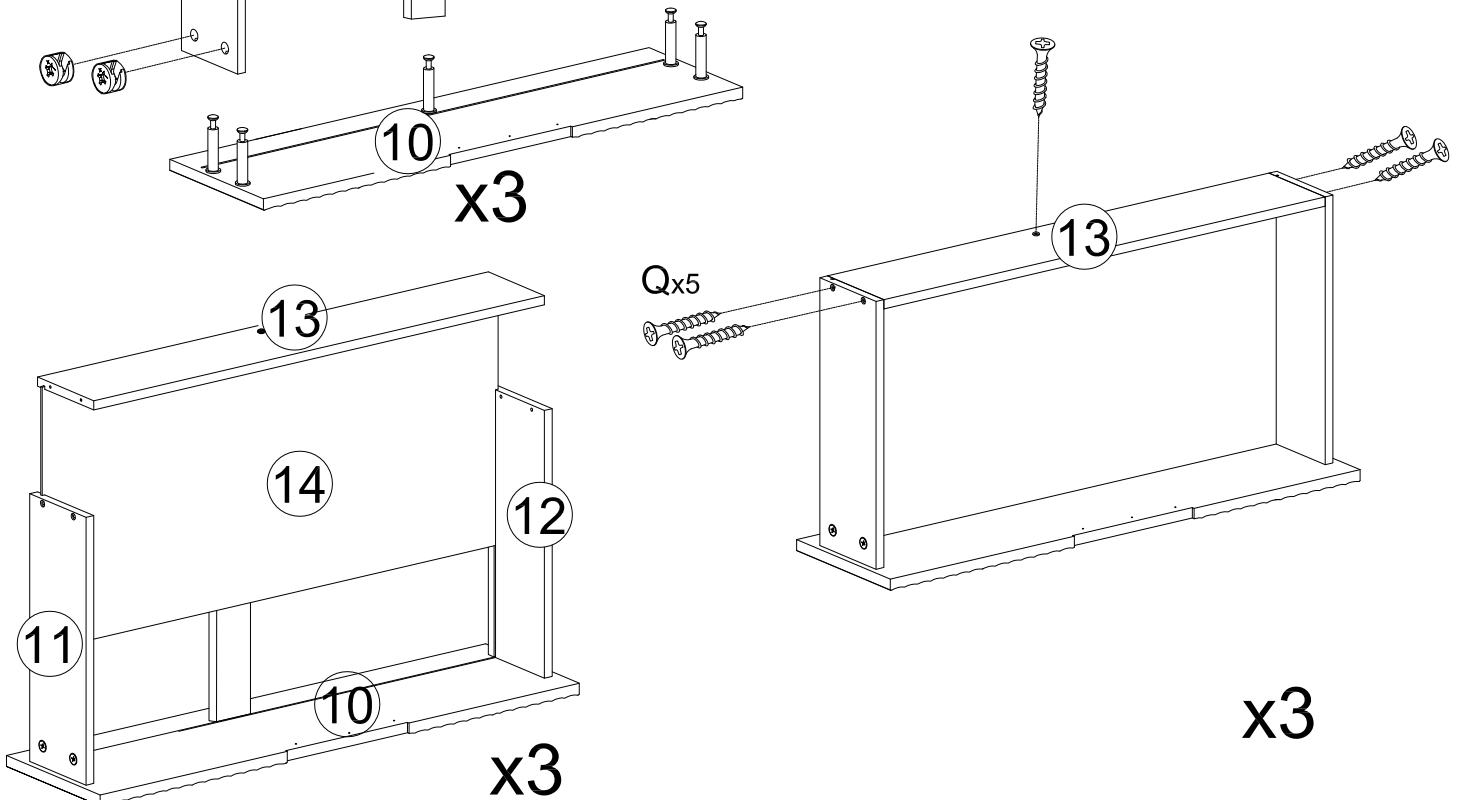
G		12	
H		12	



Step 12

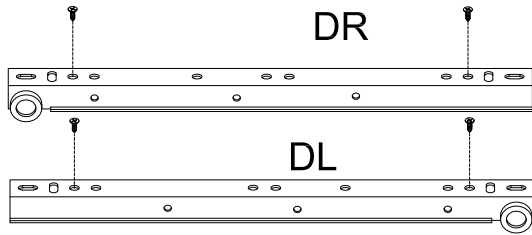


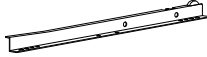

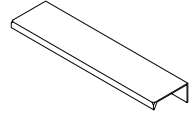




B		15	
Q		15	

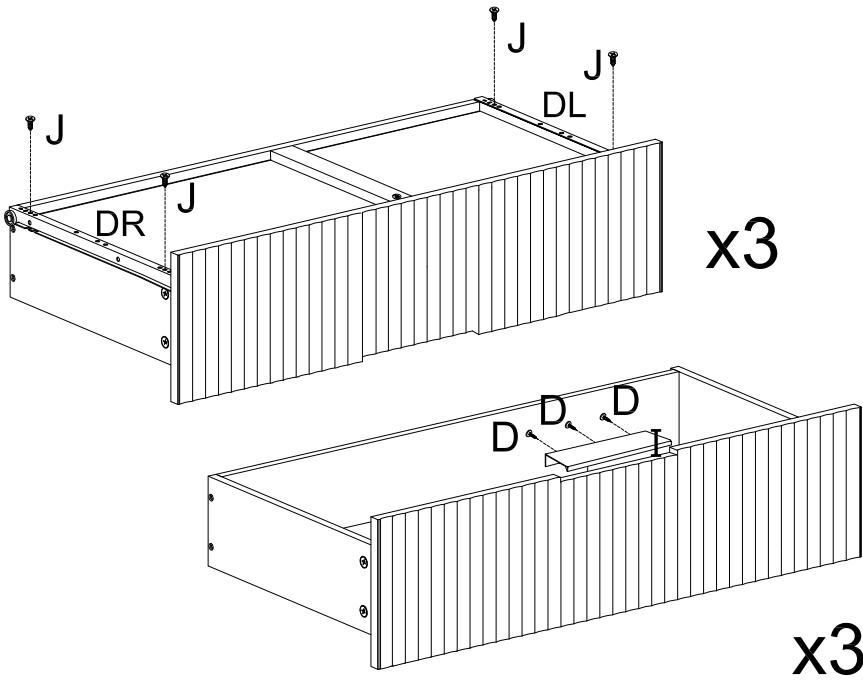


ASSEMBLY INSTRUCTIONS

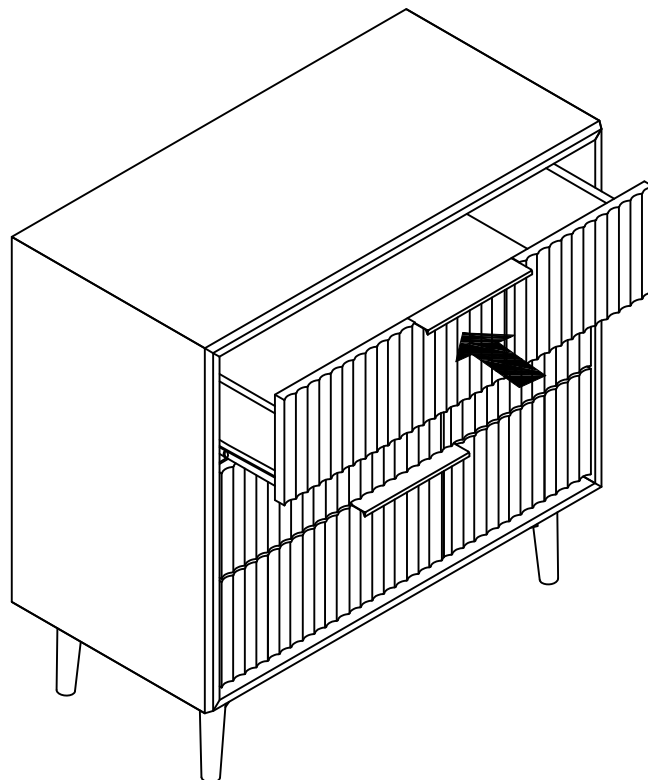
Step 13



M	 DL	3	
N	 DR	3	
I		3	
D		9	
J		12	

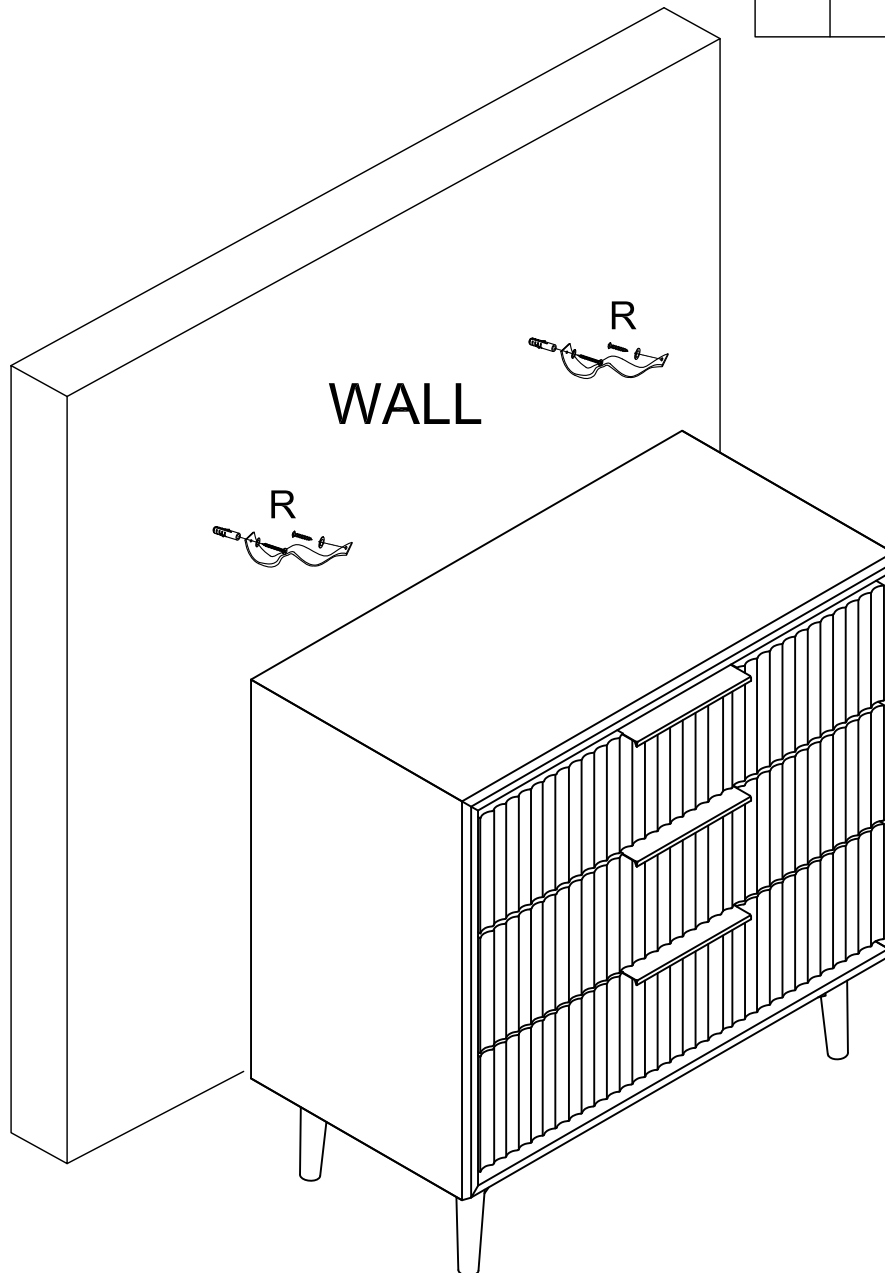
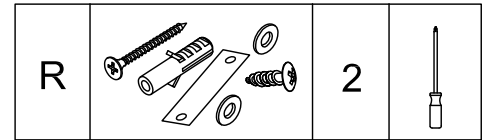


Step 14



ASSEMBLY INSTRUCTIONS

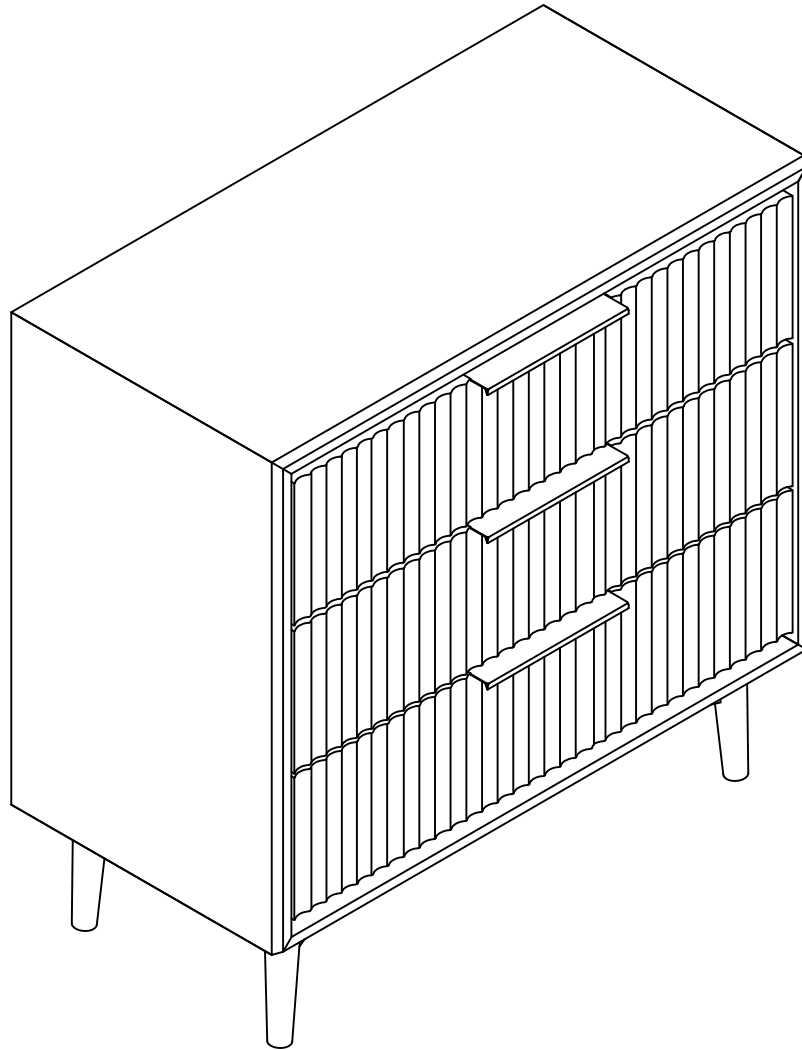
Step 15



Warning !

Wall Plug and screws are not provided.
If you are in any doubt about the
correct fixings for your wall,
seek professional advice.

ASSEMBLY INSTRUCTIONS



Congratulations.
Now you have finished assembling the product.