



Home Garden

DIRECT

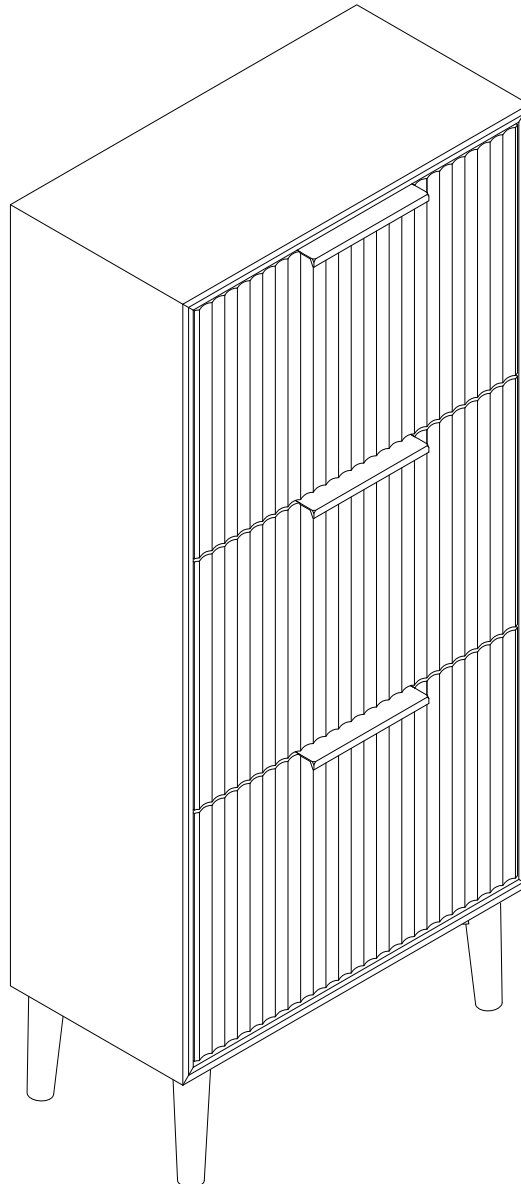


www.homegardendirect.co.uk ⋮

IR063 Shoe Rack
BLACK / GREY

MNZ-3DWR-SHR-BLK-01
MNZ-3DWR-SHR-GRY-01

Instruction manual

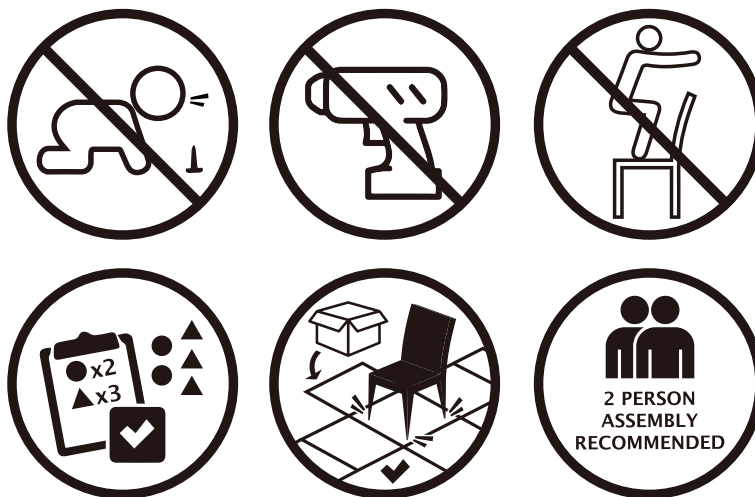




SAFETY AND CARE ADVICE

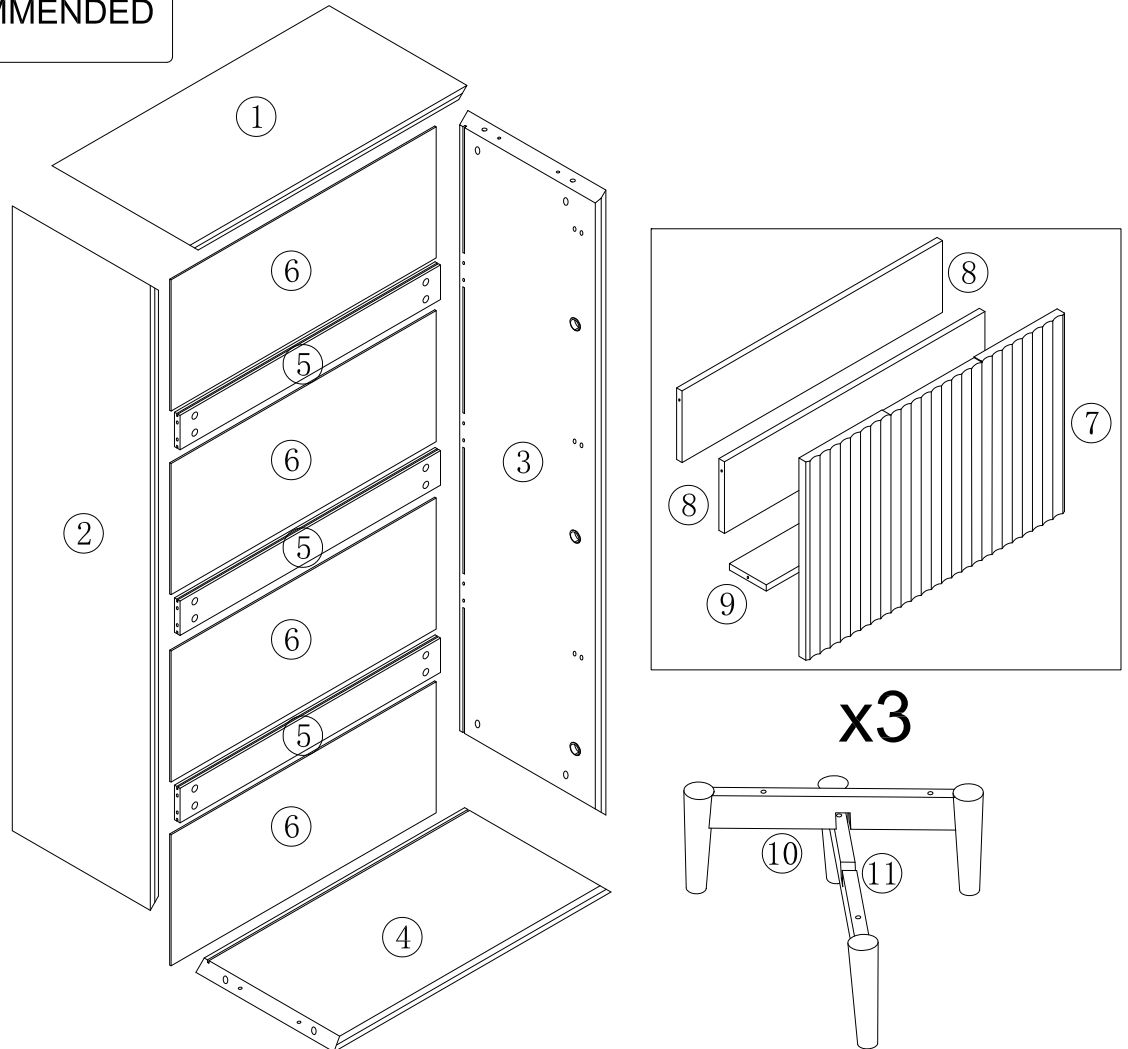
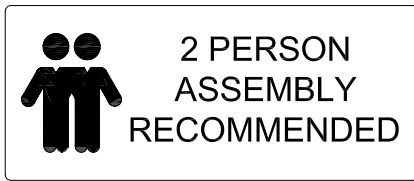
PLEASE READ THESE INSTRUCTIONS CAREFULLY AND KEEP FOR FUTURE

- Check you have all the components and tools listed on pages 2 or 3.
- Remove all fittings from the plastic bags and separate them into their groups.
- Keep children and animals away from the work area, small parts could choke if swallowed.
- Make sure you have enough space to layout the parts before starting.
- Do not stand or put weight on the product, this could cause damage.
- Assemble on a soft level surface to avoid damaging the unit or your floor (use opened out unit carton).
- We do not recommend the use of power drill/drivers for inserting screws, as this could damage the unit. Only use hand screwdrivers.



COMPONENTS — PANELS

Please check you have all the fittings listed below:



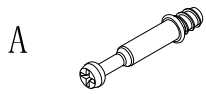
PANEL LIST

PACK 1/2		PACK 2/2	
1	Top Panel	x1	
2	Left Side Panel	x1	
3	Right Side Panel	x1	
4	Bottom Panel	x1	
6	Back Panel	x4	
P	Plastic Rack Left	x3	
Q	Plastic Rack Right	x3	
			5 Back Rail
			x3
			7 Drawer Front
			x3
			8 Side Back Panel
			x6
			9 Drawer Back Panel
			x3
			10 Upper Base Frame
			x1
			11 Lower Base Frame
			x1

COMPONENTS

FITTINGS

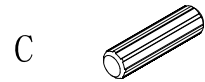
Please check you have all the fittings listed below:



Peg M6*35mm x12



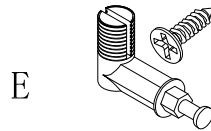
Lock x12



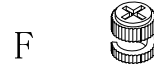
Dowel M6*30mm x8



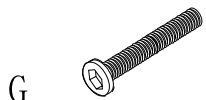
Plastic Buckle x6



Peg M6*35mm x8



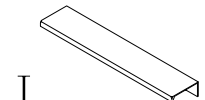
Lock x8



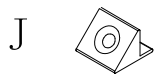
Bolt M6*50mm x4



Screw M3.5*12mm x9



Handle x3



Back Buckle x12



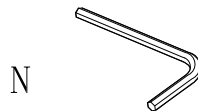
Screw M3.5*14mm x48



Screw M4*15 x6



Felt Mat x4



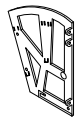
Allen Wrench x1



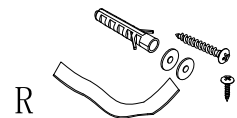
Screw x6



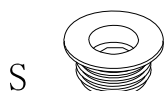
Plastic Rack Left x3



Plastic Rack Right x3



Anti-tipping assembly x2



Screw x6

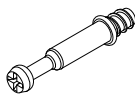


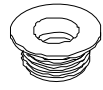
TOOLS NEEDED

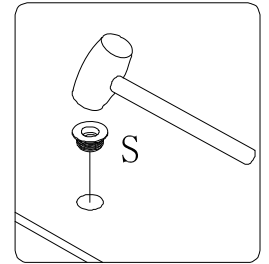
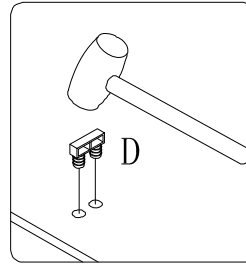
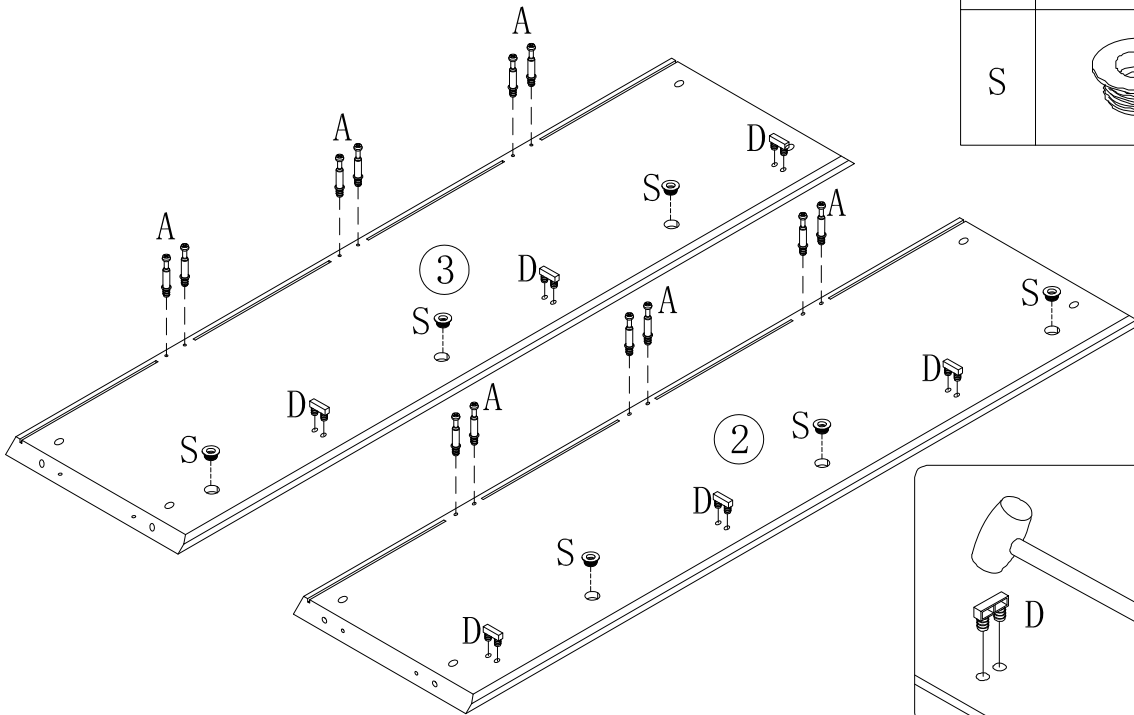


Phillips Screwdriver x1



ASSEMBLY INSTRUCTIONS

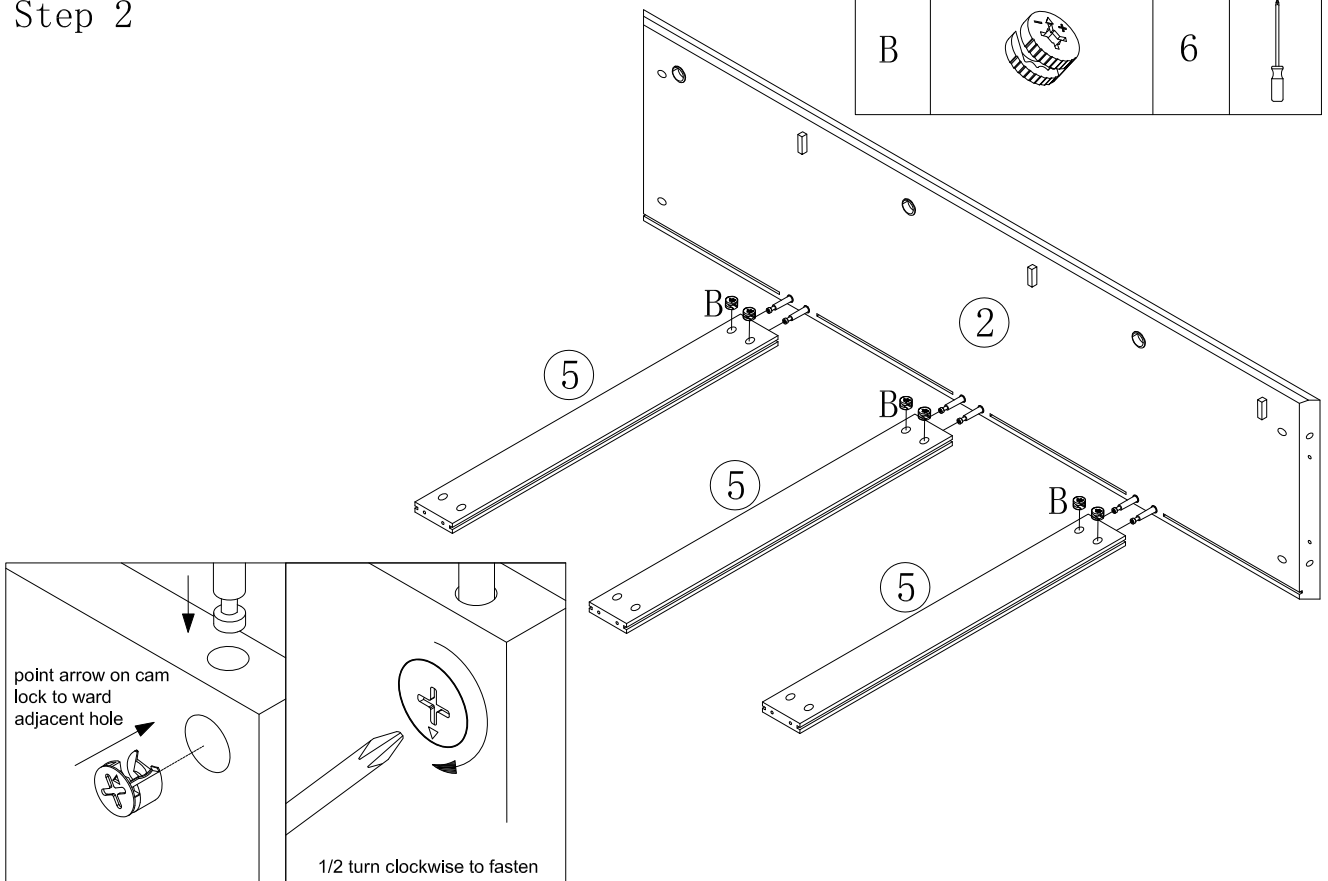
Step 1

A		12	
D		6	
S		6	



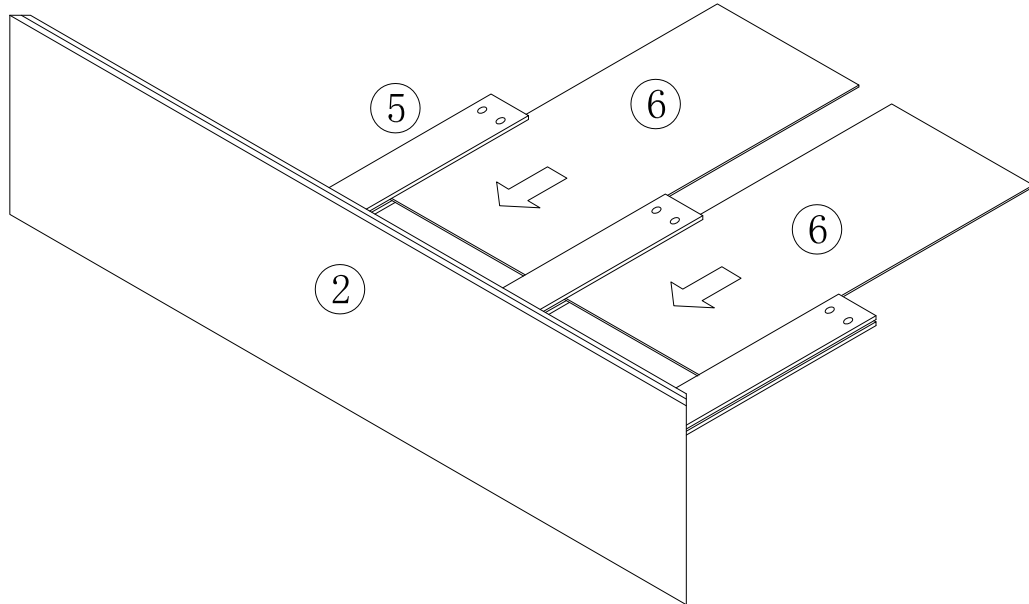
Step 2

B		6	
---	---	---	---

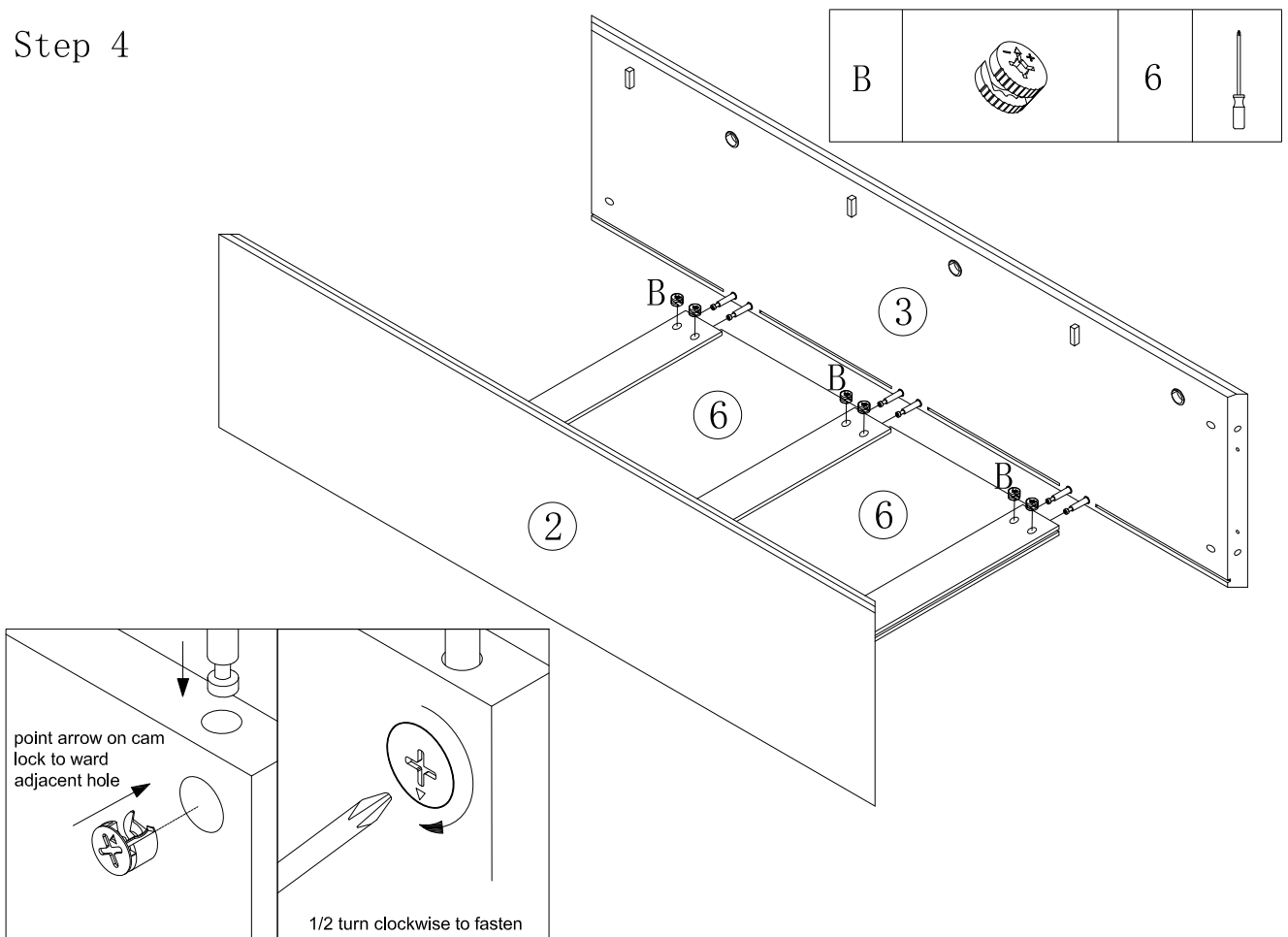


ASSEMBLY INSTRUCTIONS

Step 3

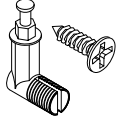



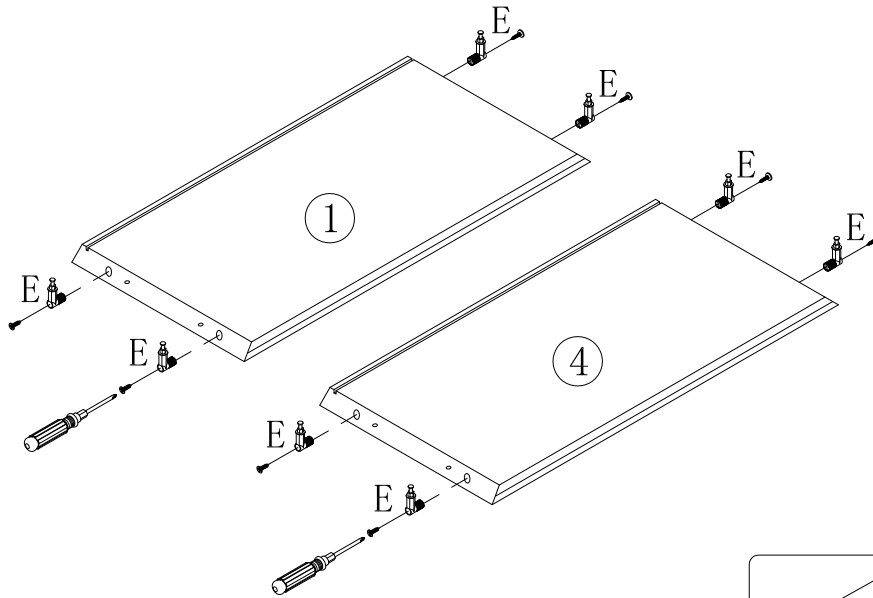
Step 4



ASSEMBLY INSTRUCTIONS

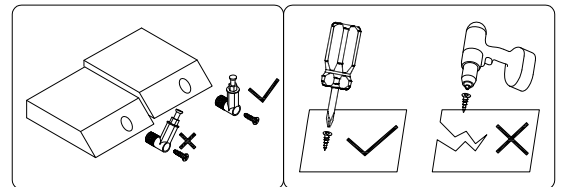
Step 5

E		8	
---	---	---	---

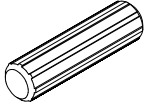
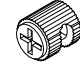



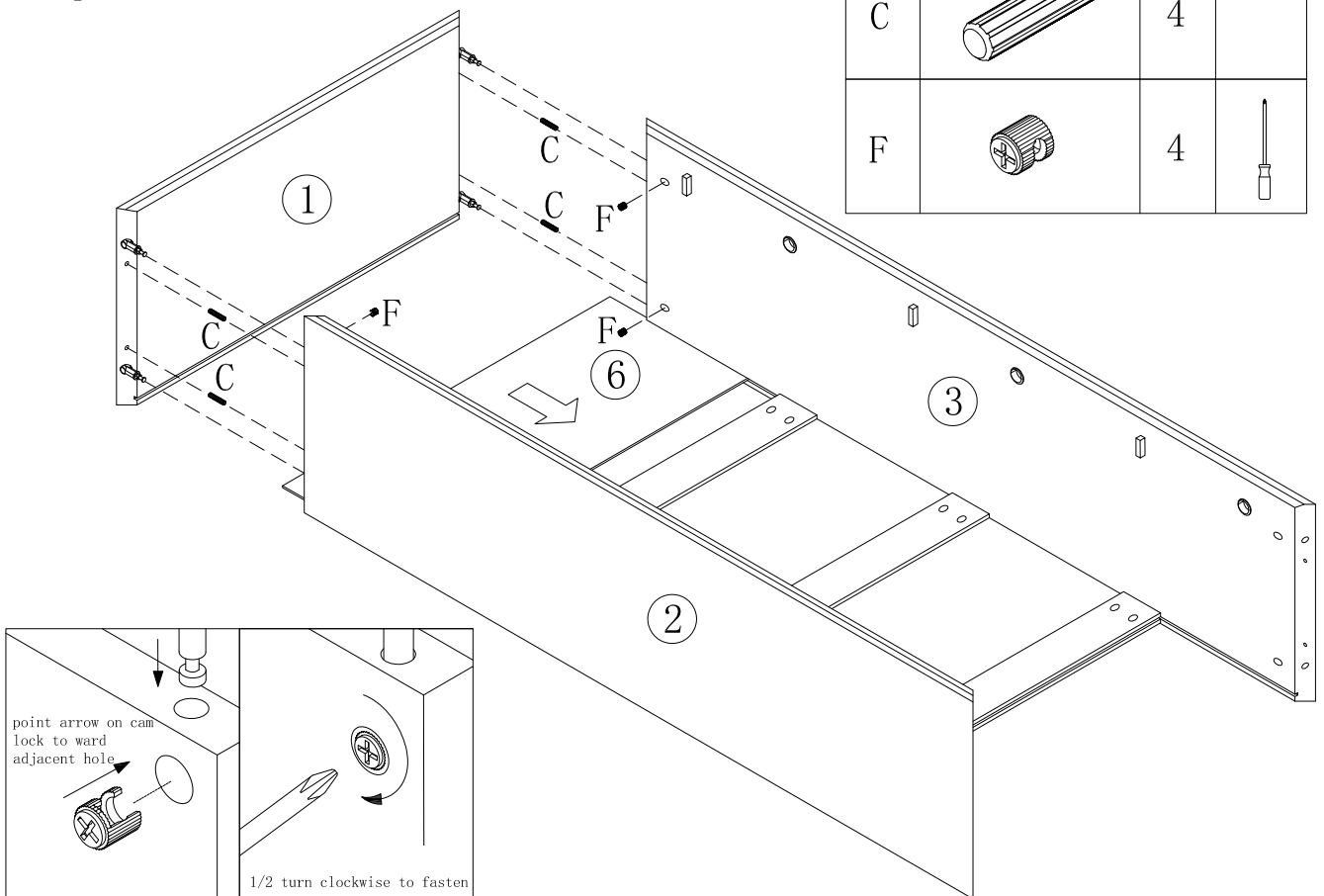
Warning:

Don't use power tools when screwing.
Ensure pegs straight when screwing.



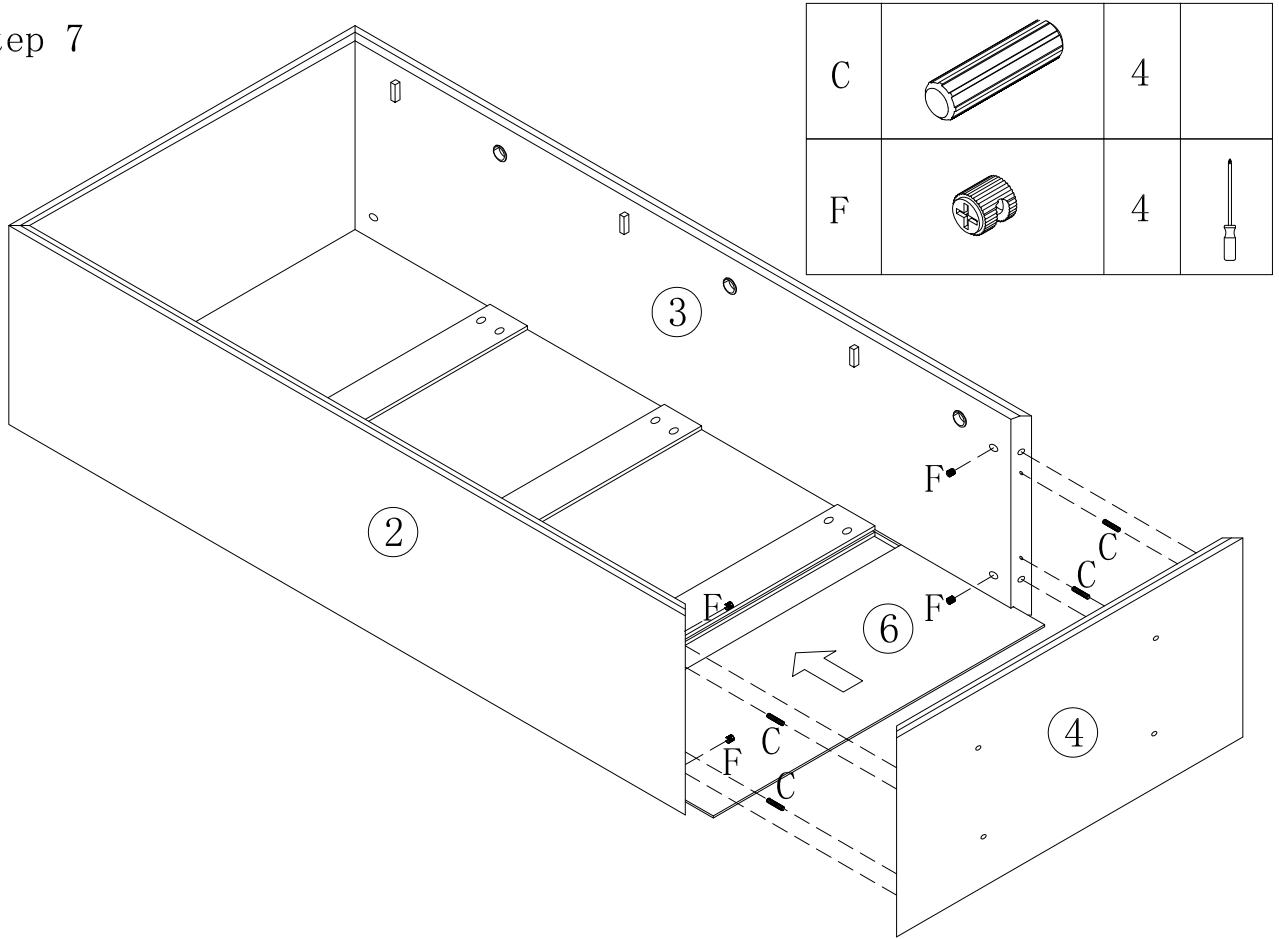
Step 6

C		4	
F		4	

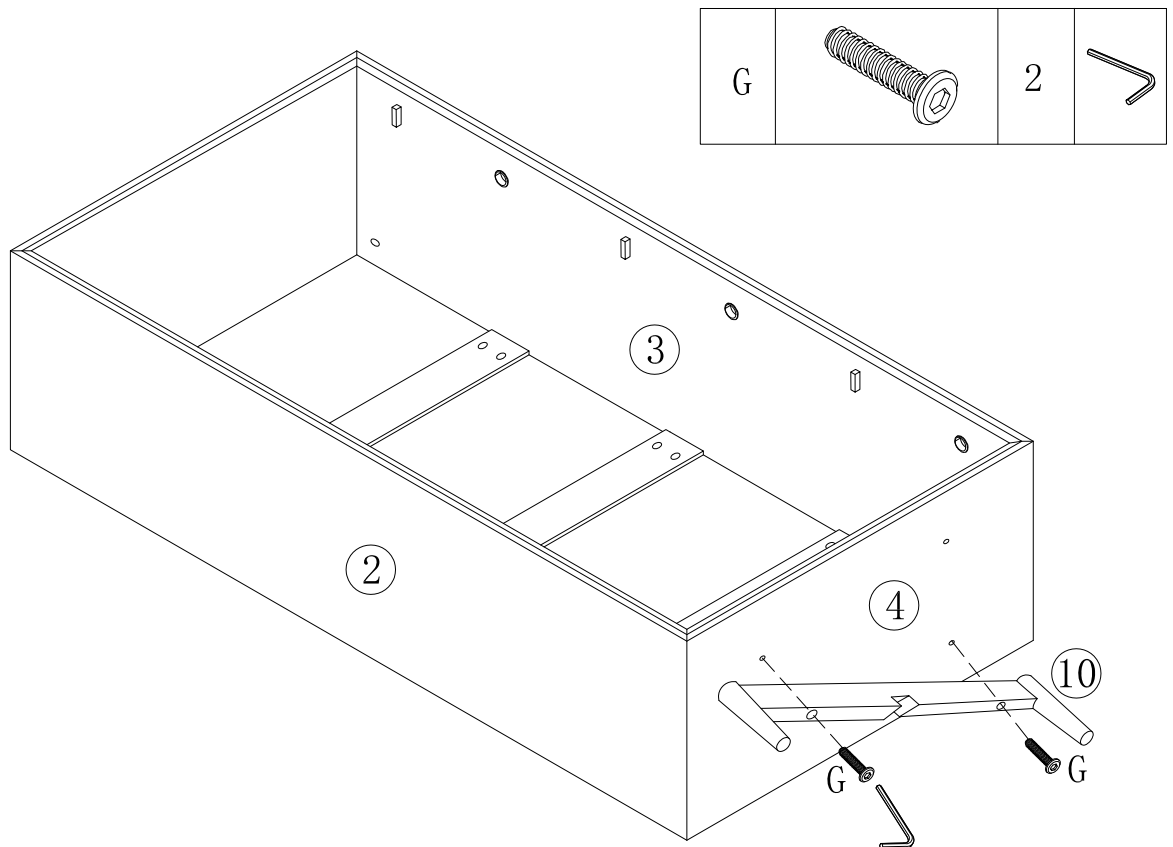


ASSEMBLY INSTRUCTIONS

Step 7

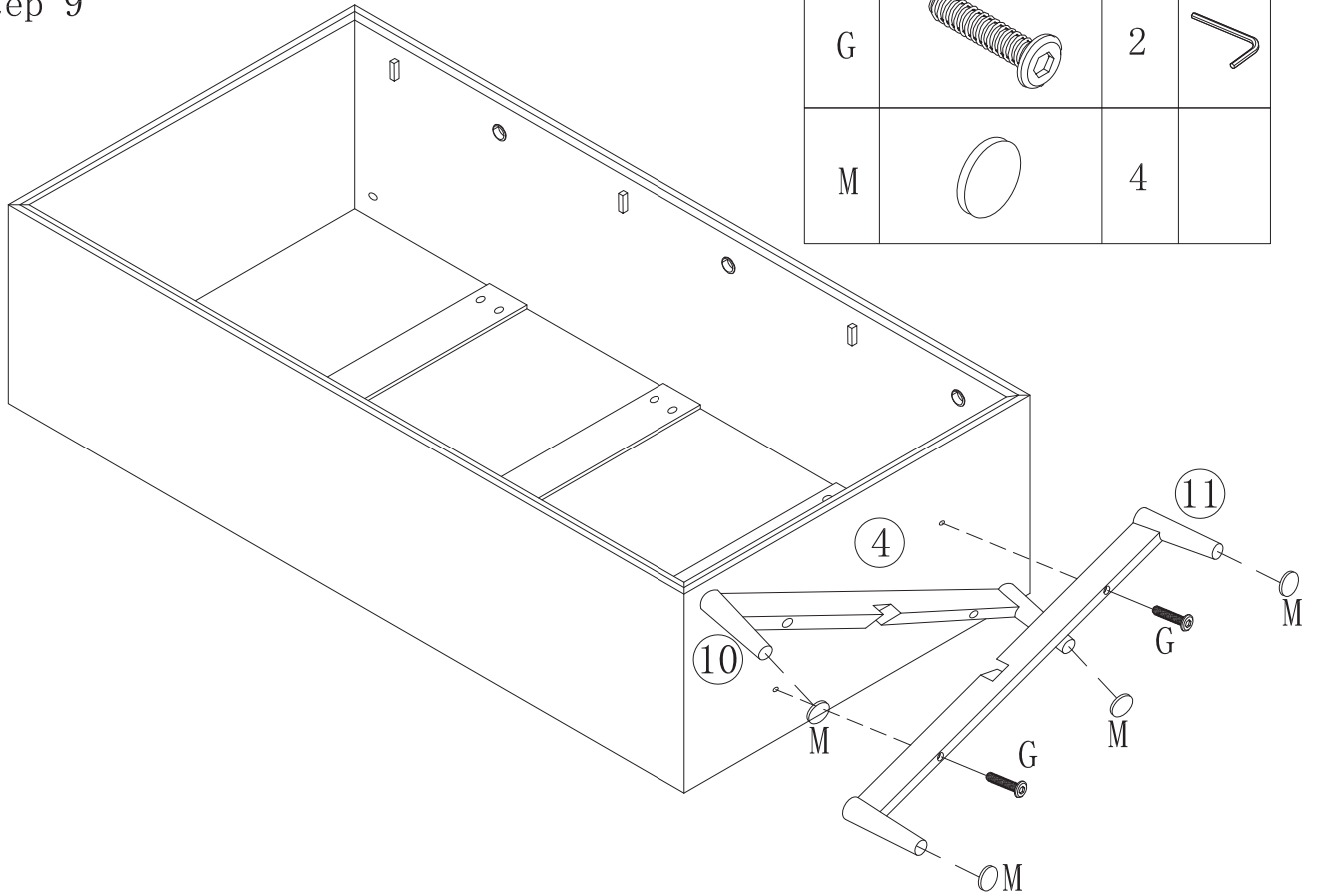


Step 8



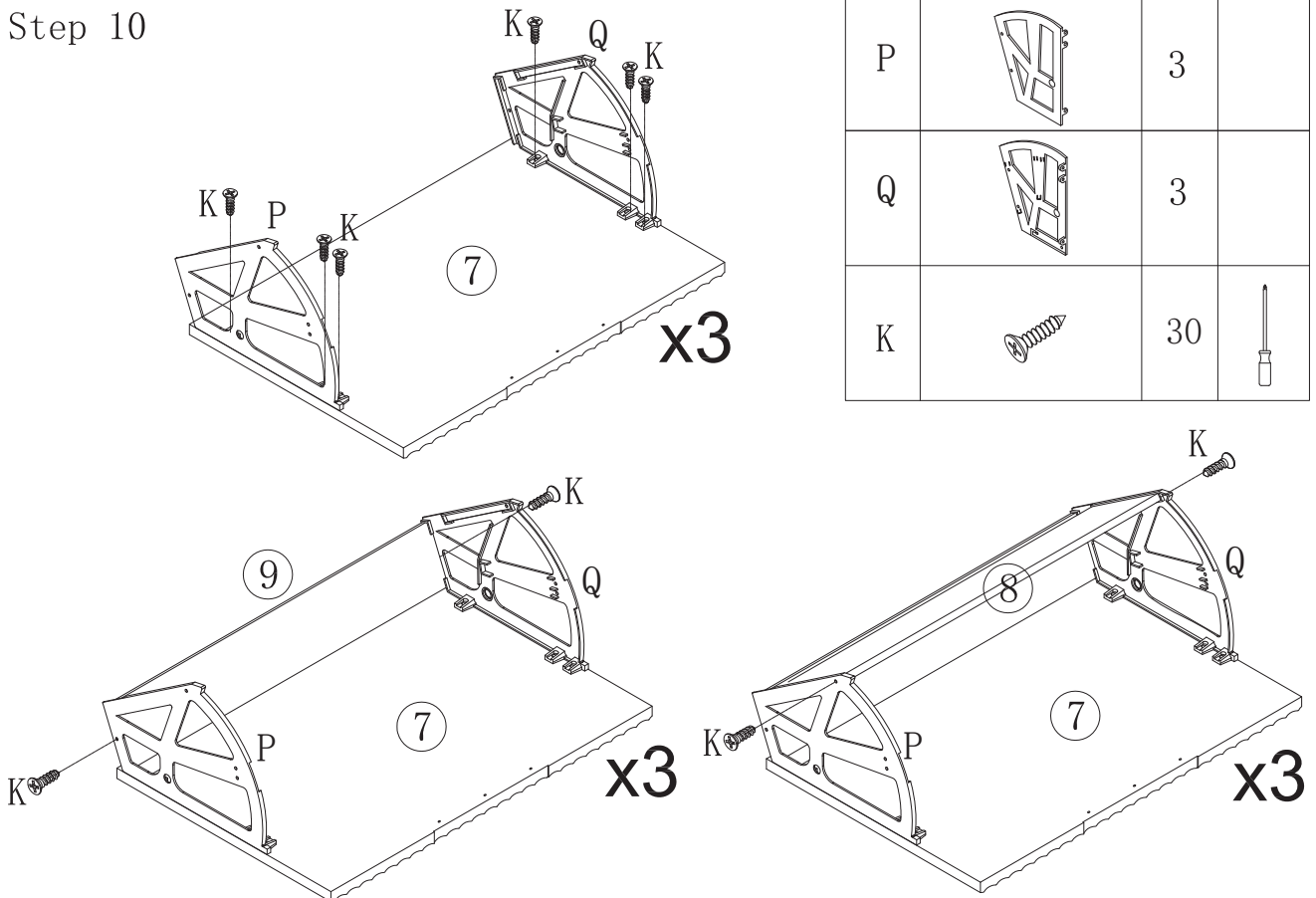
ASSEMBLY INSTRUCTIONS

Step 9



G		2	
M		4	

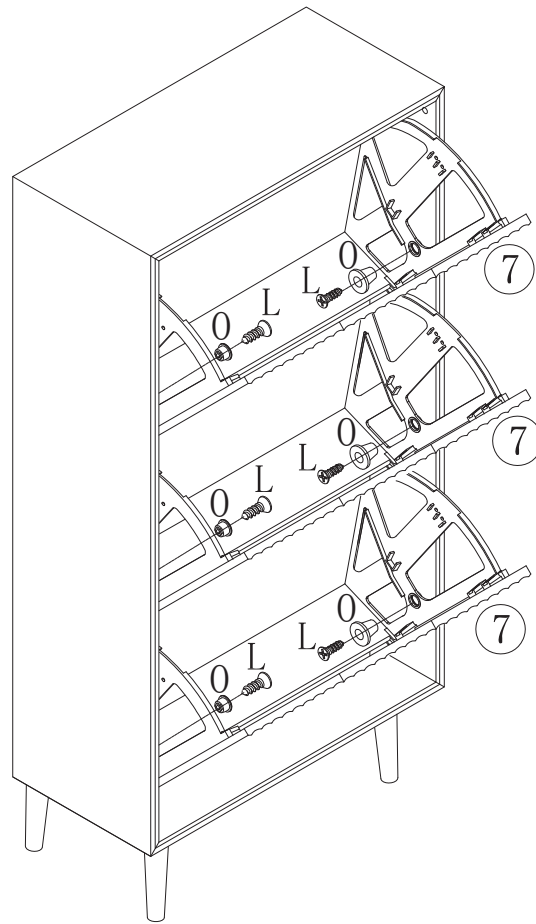
Step 10






P		3	
Q		3	
K		30	

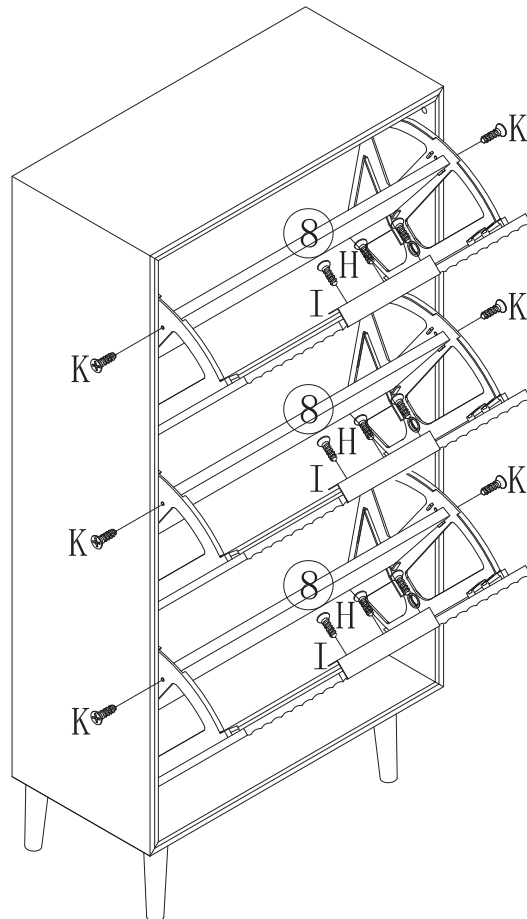
ASSEMBLY INSTRUCTIONS

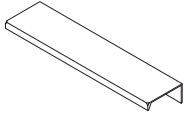




Step 11



O		6	
L		6	

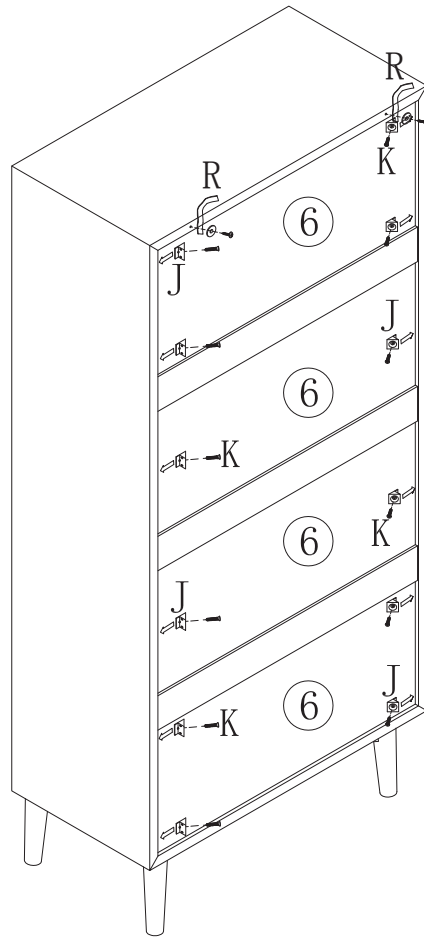
Step 12

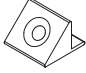






I		3	
H		9	
K		6	

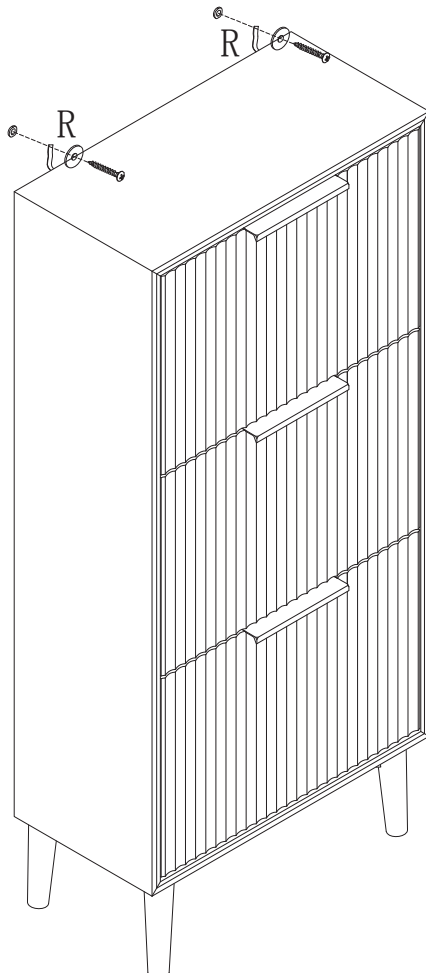
ASSEMBLY INSTRUCTIONS



Step 13



J		12	
K		12	
R		2	

Step 14



R		2	
---	---	---	---

A Guide to - Wall Mounting & Fixings

Important note:

If plastic wall plugs are supplied with your product:



- these are only suitable for use in masonry walls.

If you are in any doubt about the correct wall plugs for your wall, seek professional advice.

Failure of the product due to using incorrect fixings is the responsibility of the installer.



Important: When drilling into walls always check that there are no hidden wires or pipes etc.

Make sure that the screws and wall plugs being used are suitable for supporting your unit. Consult a qualified person if you are unsure.

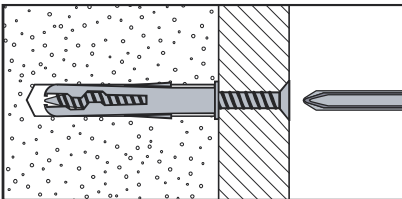
Hints:

- 1: **General rule:** ⚠ Always use a larger screw and wall plug if you are not sure.
- 2: Ensure you use the recommended drill bit to match the wall plug and hole size.
- 3: Ensure you drill the hole horizontally, do not force the drill or enlarge the hole.
- 4: Take extra care when drilling high walls, ceilings and ceramic tiles. Ensure wall plugs are inserted beyond the thickness of the ceramic tiles to avoid the tiles splitting or cracking.
- 5: Ensure wall plugs are well fitted and are a tight fit in the drilled hole.

Types of walls

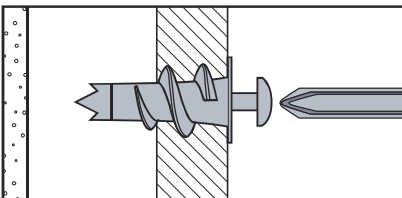
You can use one of the following types of wall plug if your walls are made of brick, breeze block, concrete, stone or wood.

No.1 "General Purpose" wall plug



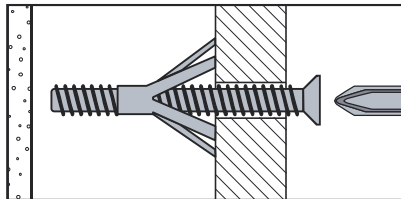
Generally aerated blocks should not be used to support heavy loads, use a specialist fitting in this case. For light loads, general purpose wall plugs can be used.

No.2 "Plasterboard" wall plug



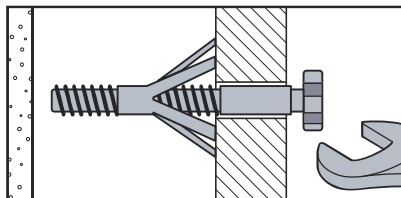
For use when attaching light loads on to plasterboard partitions.

No.3 "Cavity Fixing" wall plug



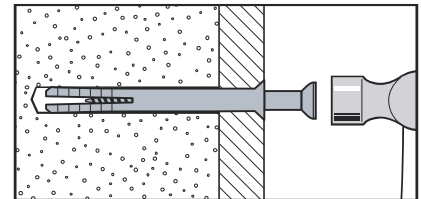
For use with plasterboard partitions or hollow wooden doors.

No.4 "Cavity Fixing-Heavy Duty" wall plug



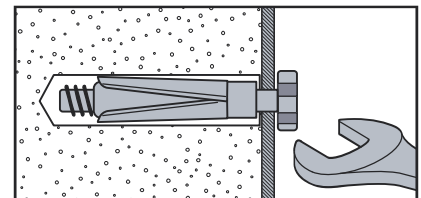
For use when fitting or supporting heavy loads such as shelving, wall cabinets and coat racks.

No.5 "Hammer Fixing" wall plug



For use with walls stuck with plasterboard. The hammer fixing allows it to be fixed to the wall rather than the plasterboard. Always check the fixing is secure to the retaining wall.

No.6 "Shield Anchor" wall plug Heavy loads



For use with heavier loads such as TV & HiFi speakers and satellite dishes etc.

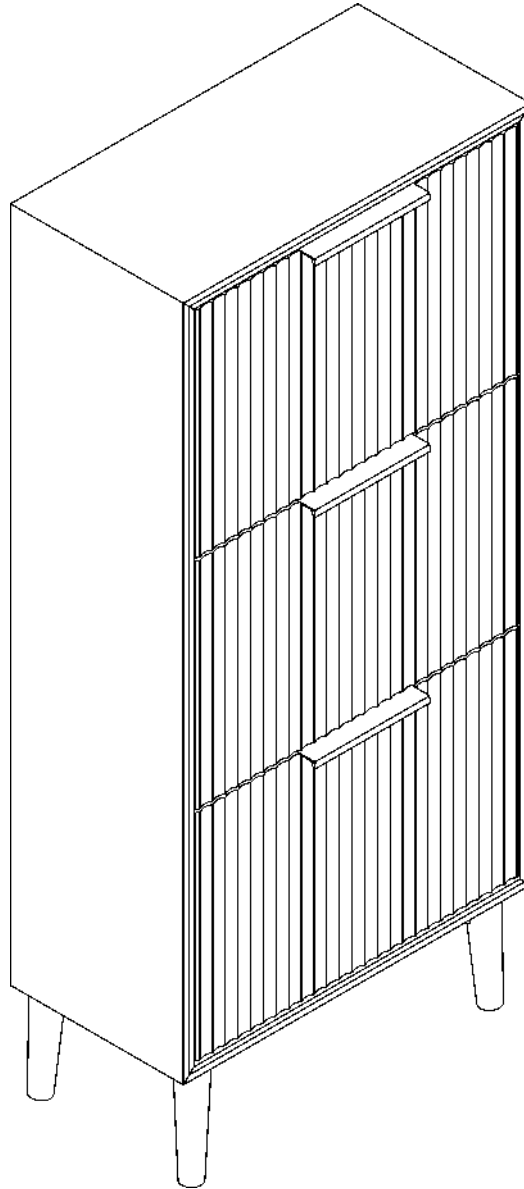


Care & Maintenance

Safety: Always check the fitting and location to ensure your safety in and around the home.

Fitting: From time to time check the fitting to ensure the wall plugs or screws do not become loose.

ASSEMBLY INSTRUCTIONS



Congratulations.
Now you have finished assembling the product.