



Home Garden

DIRECT



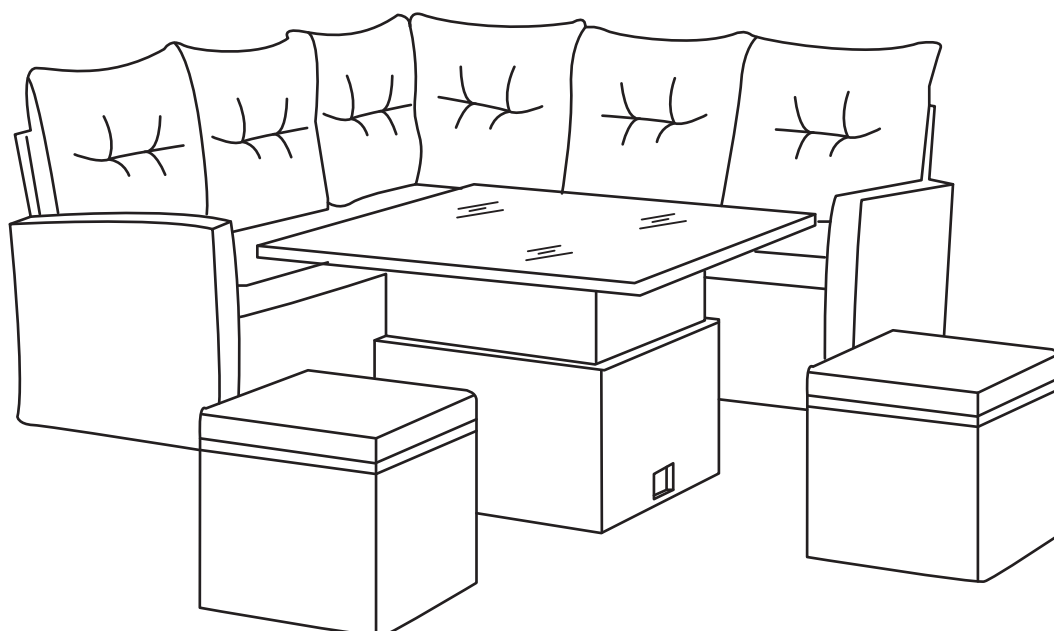
www.homegardendirect.co.uk :

OR048 Corner Sofa Set

Natural Rattan White Cushion

STT-CSF-RST-NT/WH-01

Instruction manual





SAFETY AND CARE ADVICE

PLEASE READ THESE INSTRUCTIONS CAREFULLY AND KEEP FOR FUTURE

- Check you have all the components and tools listed on pages 1 & 2.
- Remove all fittings from the plastic bags and separate them into their groups.
- Keep children and animals away from the work area, small parts could choke if swallowed.
- Make sure you have enough space to layout the parts before starting.
- Do not stand or put weight on the product, this could cause damage.
- Assemble on a soft level surface to avoid damaging the unit or your floor (use opened out unit carton).
- We do not recommend the use of power drill/drivers for inserting screws, as this could damage the unit. Only use hand screwdrivers.

· **HEALTH AND SAFETY:**

DO NOT jump on this sofa bed.

DO NOT use this sofa bed if any parts are missing, damaged or worn.

DO NOT use this sofa bed unless all fixings are secured.

· **WARNING:**

If this sofa bed is placed on non-carpeted floor you must place some Protection under all legs to stop the sofa bed frame from moving. If this is not adhered to there is no guarantee if the sofa bed frame collapses.

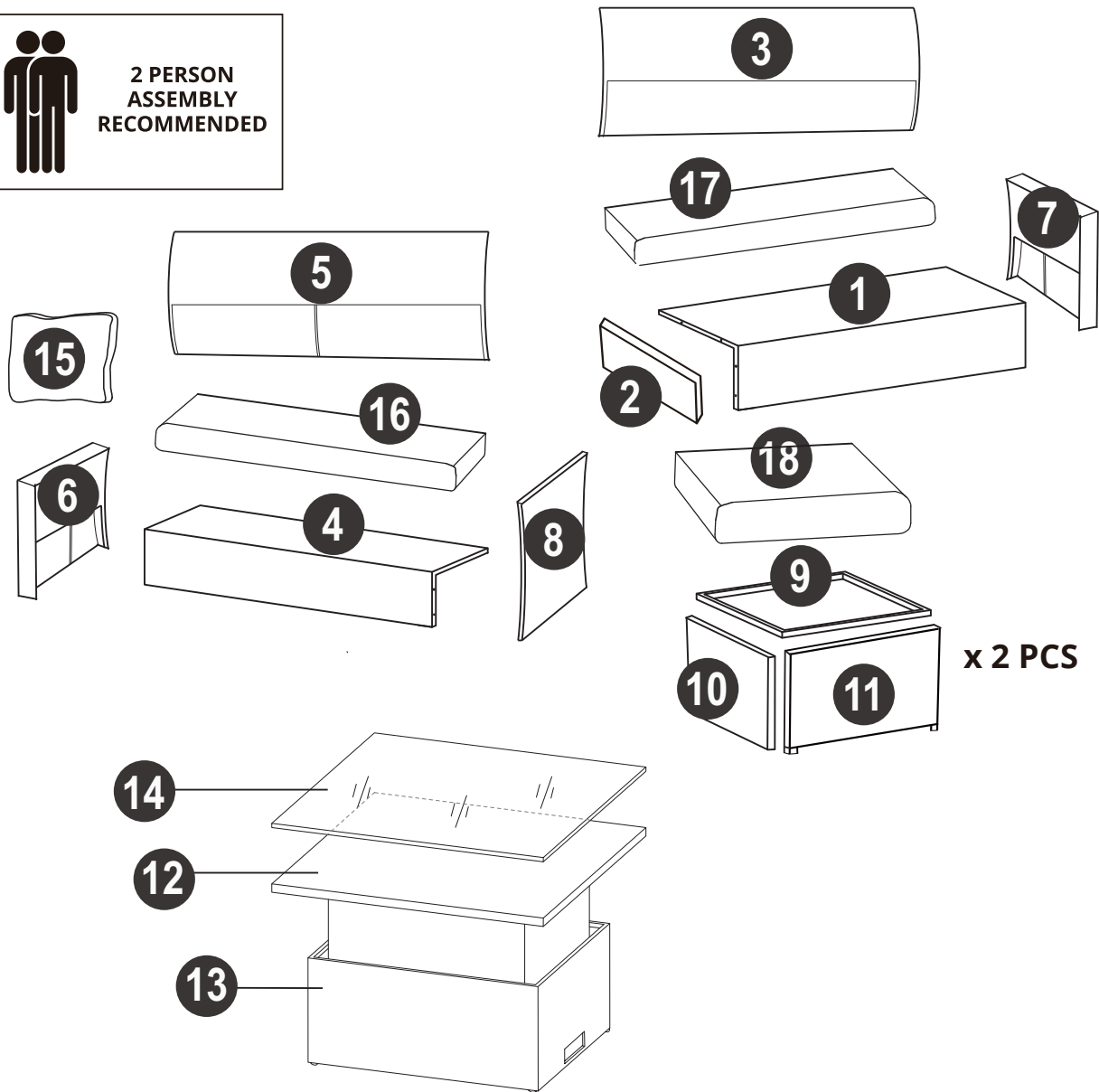
· **HANDY HINT:**

If you keep the hardware in a bowl during assembly you will be less likely to lose them.



COMPONENTS

Ensure the following components are in the box before proceeding with assembly:



PANEL LIST

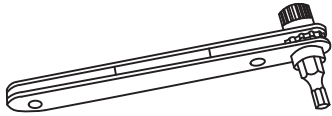
1	2-Seater Seating	x1	10	Stool Side Panel	x4
2	2-Seater Side Panel	x1	11	Stool Leg	x4
3	2-Seater Backrest	x1	12	Table Top Panel	x1
4	Corner Seating	x1	13	Table Leg	x1
5	Corner Backrest	x1	14	Table Glass Top	x1
6	Corner Armrest	x1	15	Back Cushion	x6
7	2-Seater Armrest	x1	16	Corner Seat Cushion	x1
8	Corner Side Panel	x1	17	2-Seater Seat Cushion	x1
9	Stool Top Panel	x2	18	Stool Cushion	x2



COMPONENTS — FITTINGS

Please check you have all the fittings listed below:

A



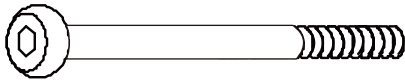
Ratchet wrench x 1

F



M6 Allen Wrench x 1

B



M6 x 90mm Screw x 2

G



M6 Washer x 52

C



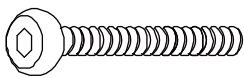
M6 x 60mm Screw x 1

H



Plastic Connector x 2

D



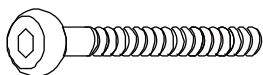
M6 x 40mm Screw x 21

I



Screw x 20

E



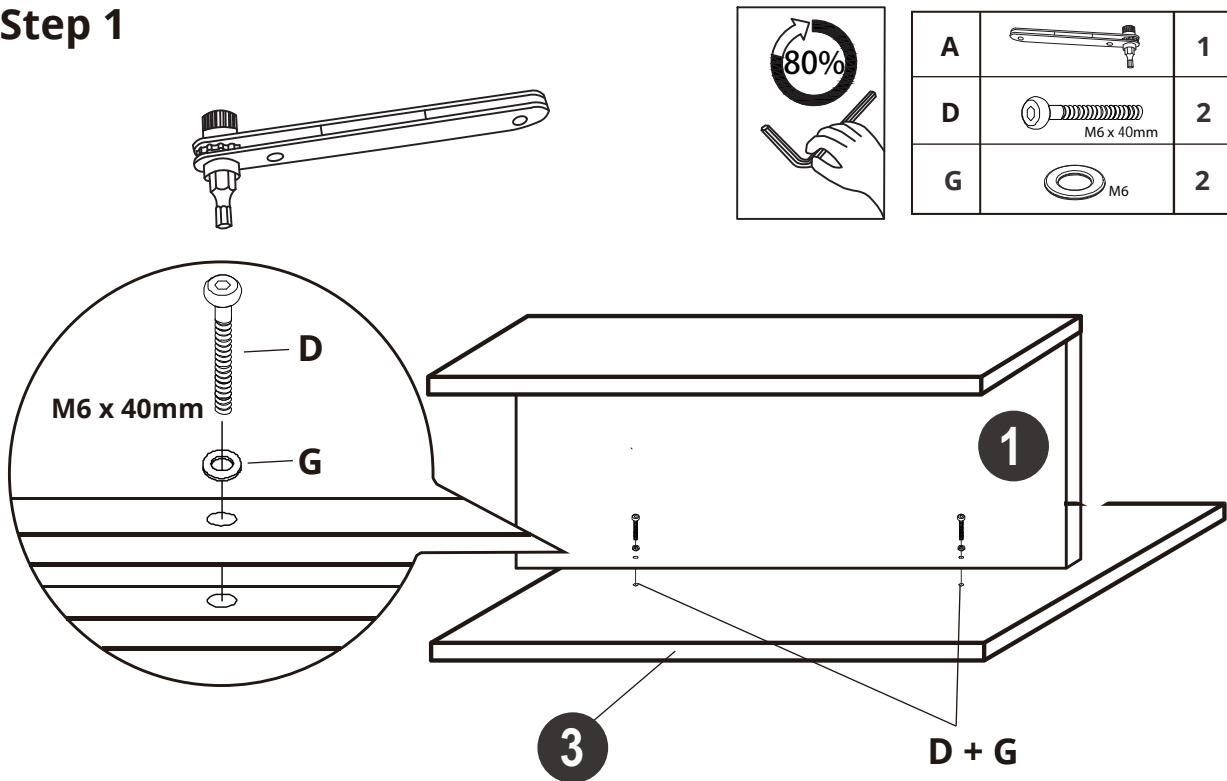
M6 x 35mm Screw x 28



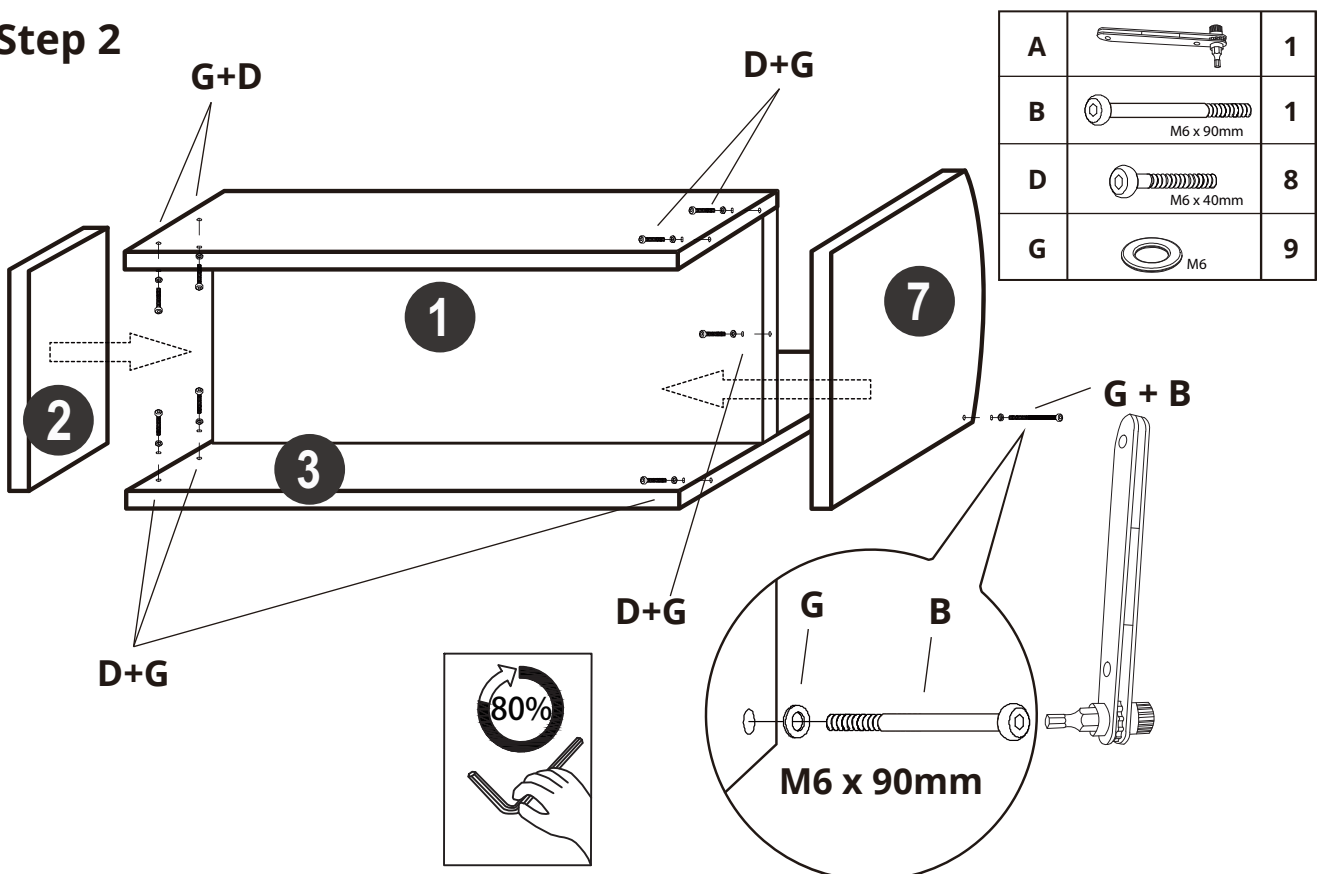
ASSEMBLY INSTRUCTIONS

Please note, when building this product, screw threads should not be fully tightened until all parts are in place. Only once all parts are assembled, should they be fully tightened

Step 1

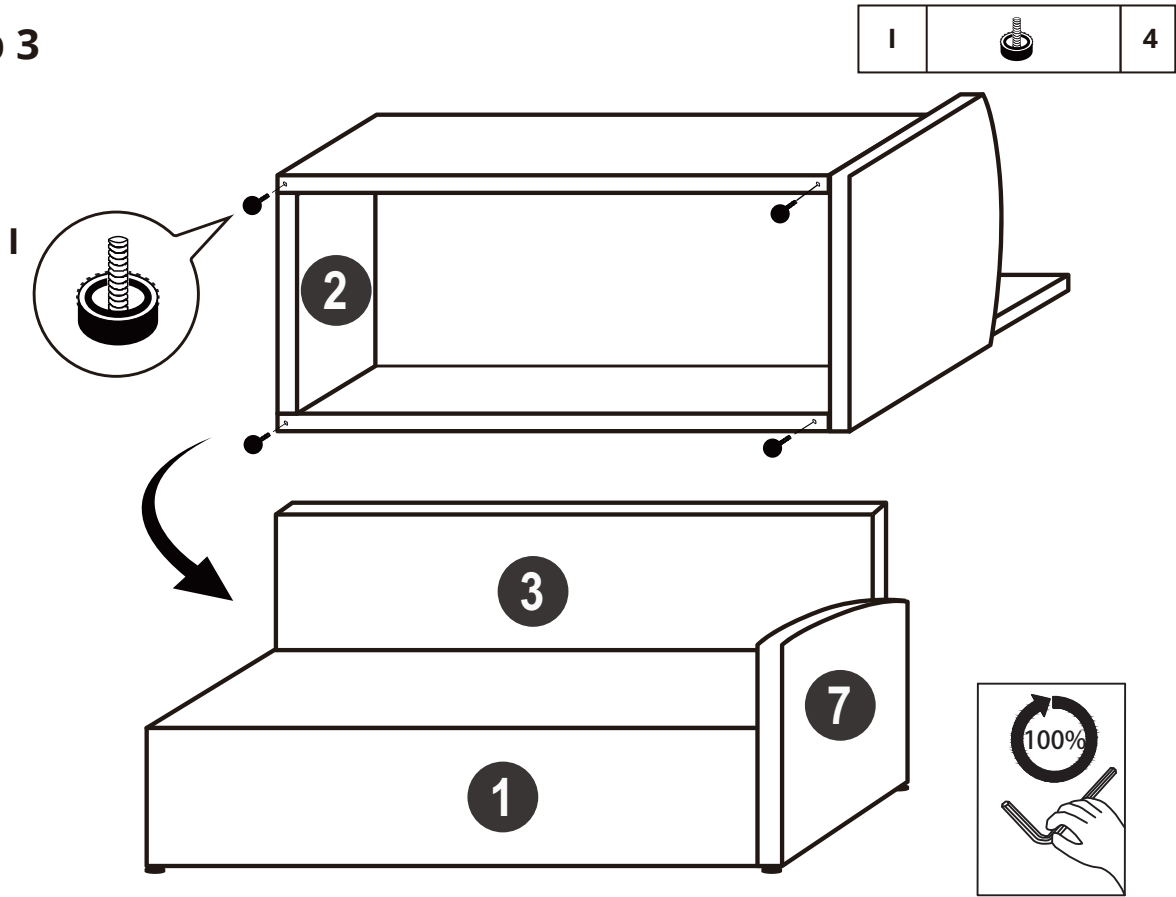


Step 2

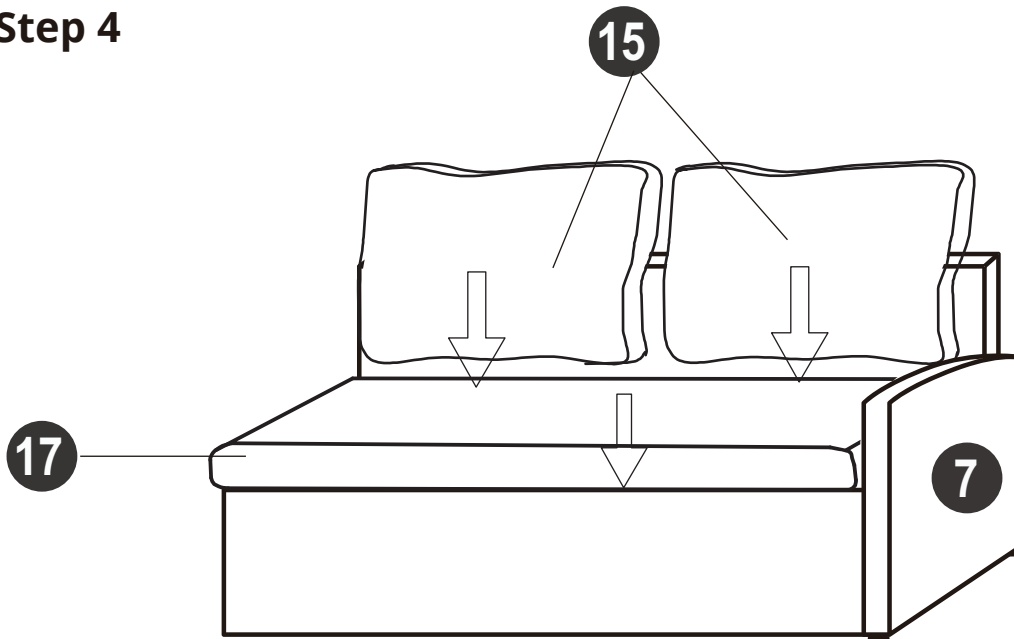


ASSEMBLY INSTRUCTIONS

Step 3

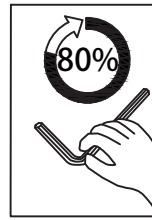



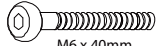

Step 4

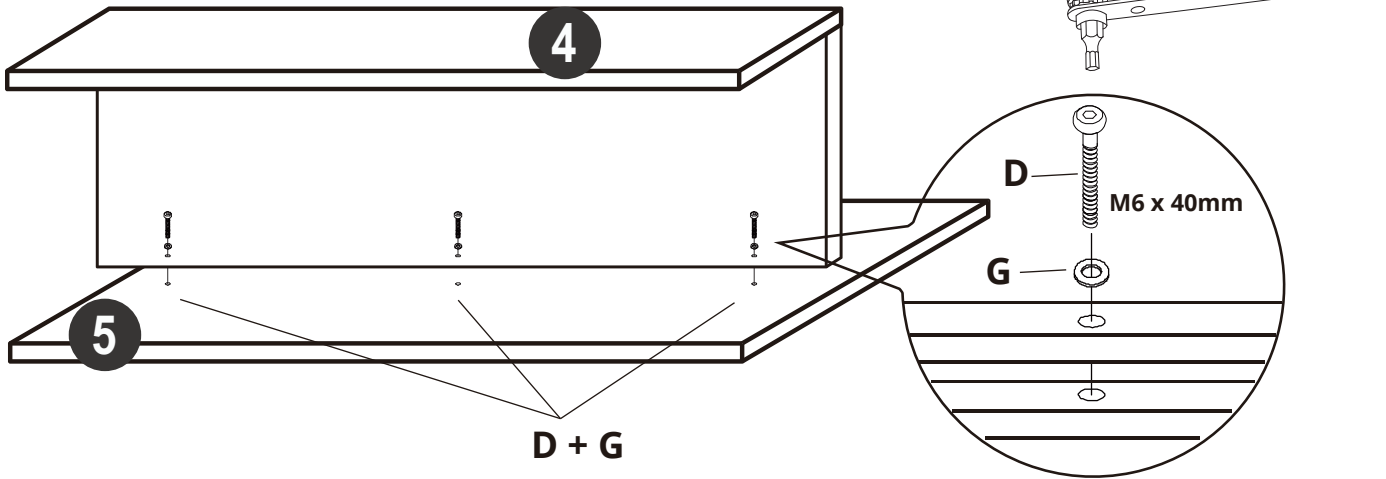


ASSEMBLY INSTRUCTIONS


Step 5

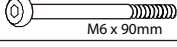
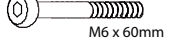




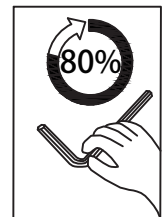
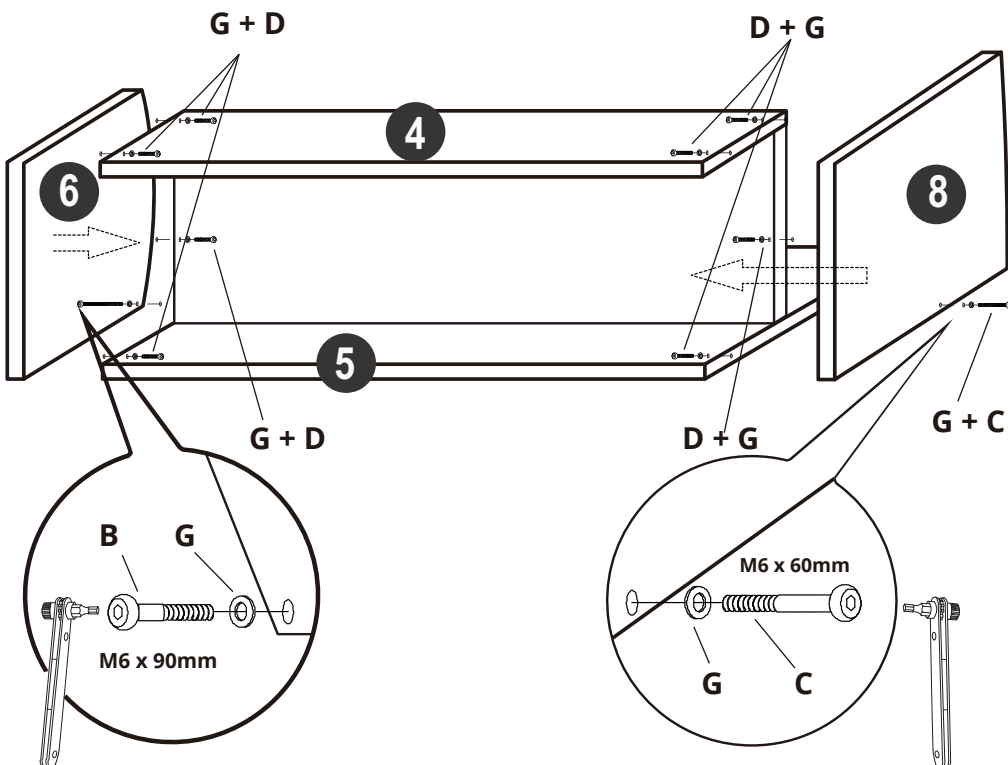
A		1
D	 M6 x 40mm	3
G	 M6	3



Step 6


A		1
---	---	---

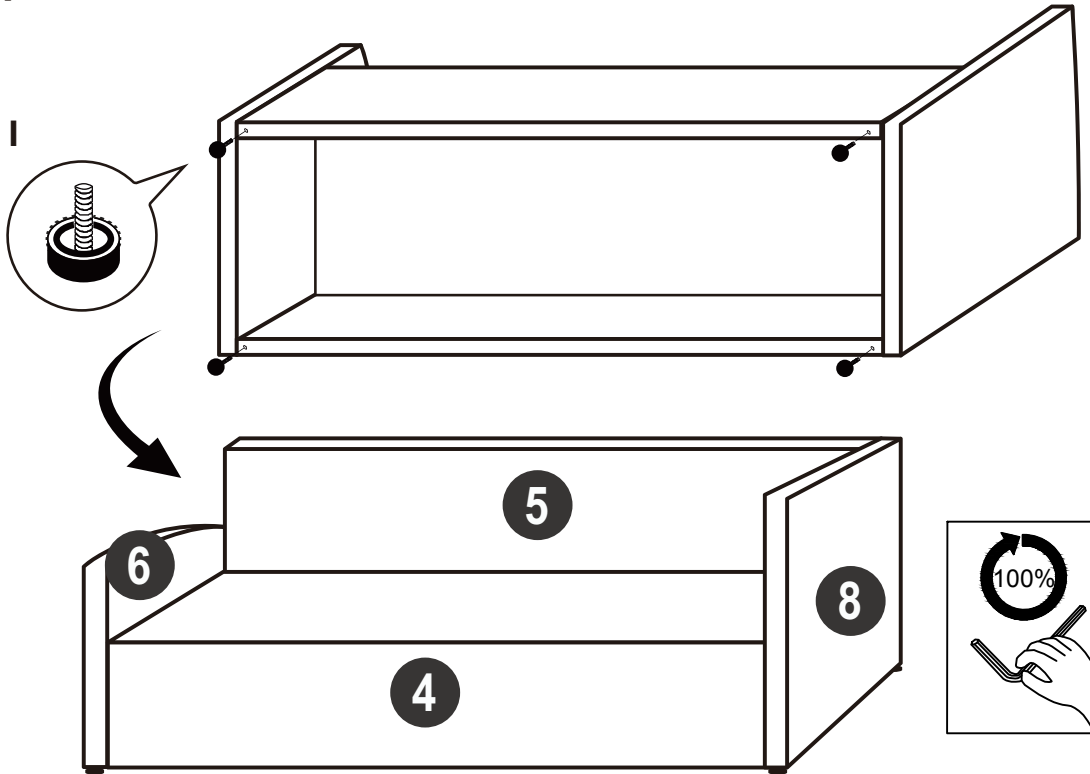
B	 M6 x 90mm	1
C	 M6 x 60mm	1
D	 M6 x 40mm	8
G	 M6	10



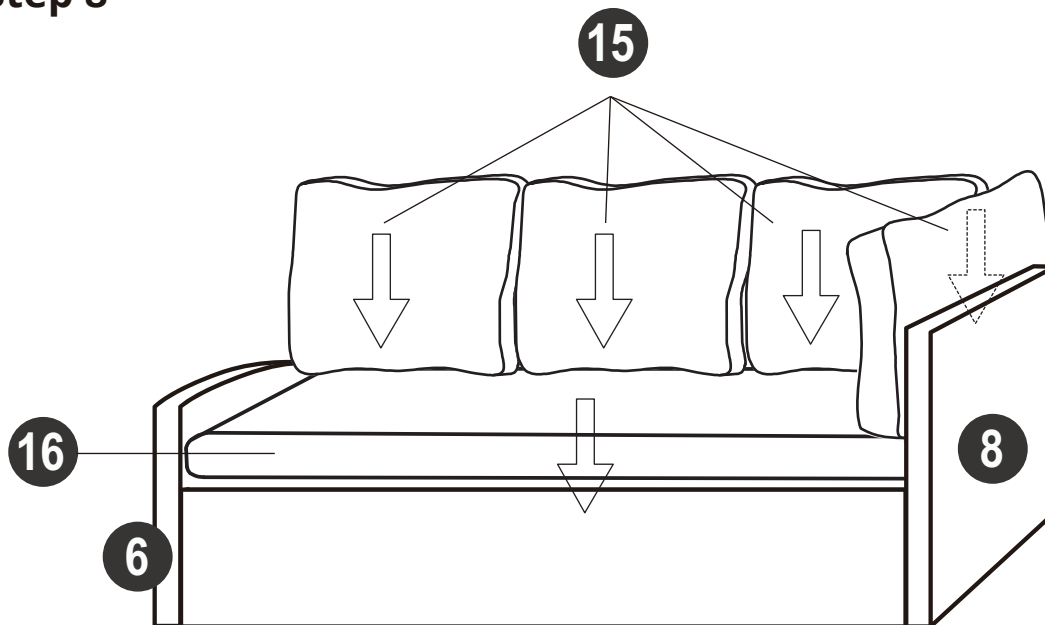
ASSEMBLY INSTRUCTIONS

Step 7

I		4
---	---	---

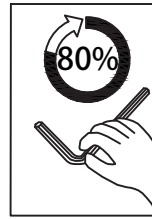
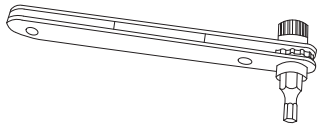





Step 8

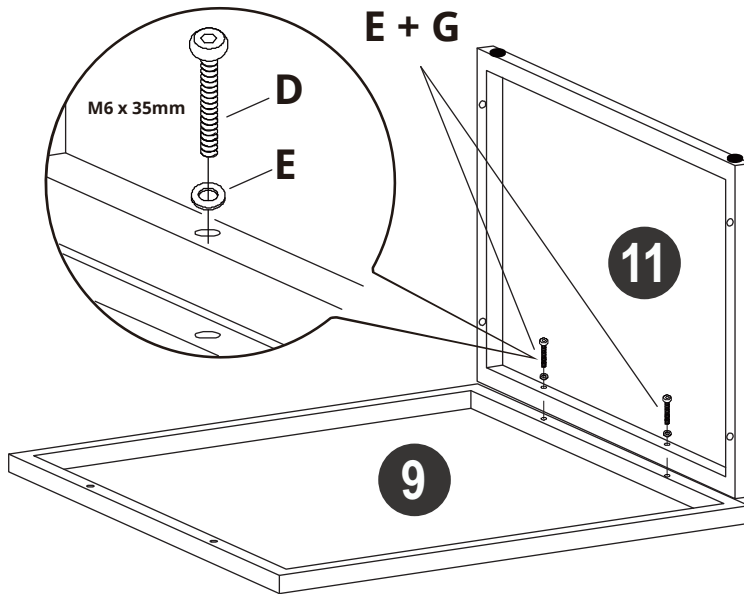


ASSEMBLY INSTRUCTIONS

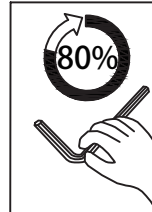
Step 9






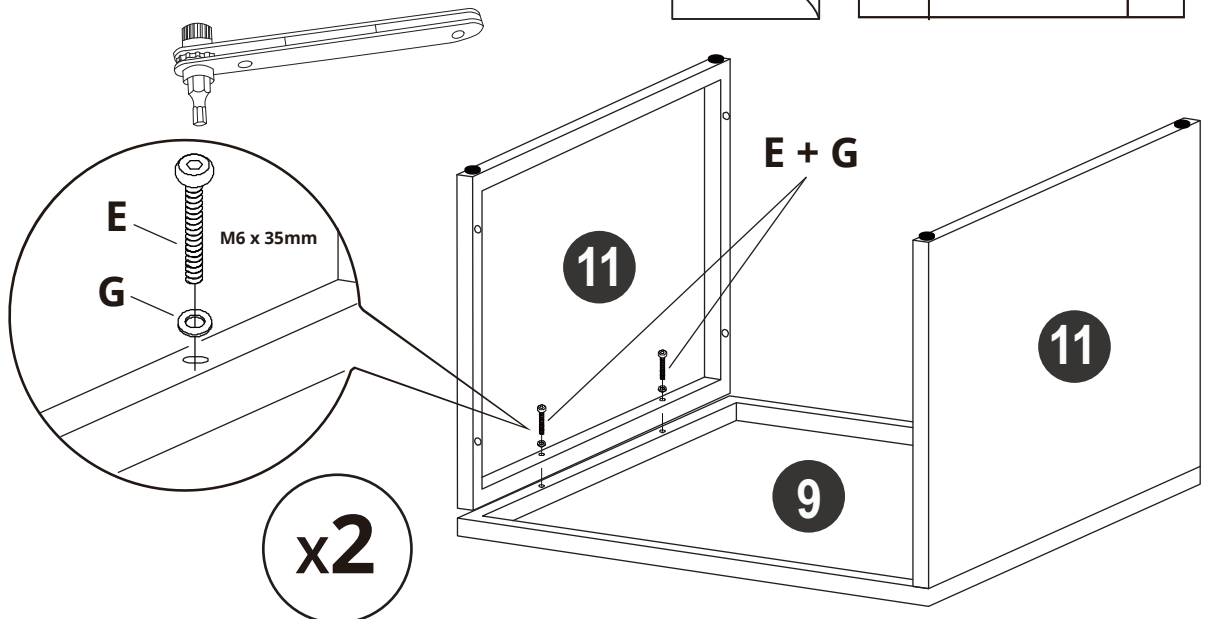
A		1
E	 M6 x 35mm	4
G	 M6	4



Step 10

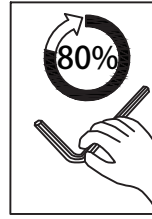


A		1
E	 M6 x 35mm	4
G	 M6	4

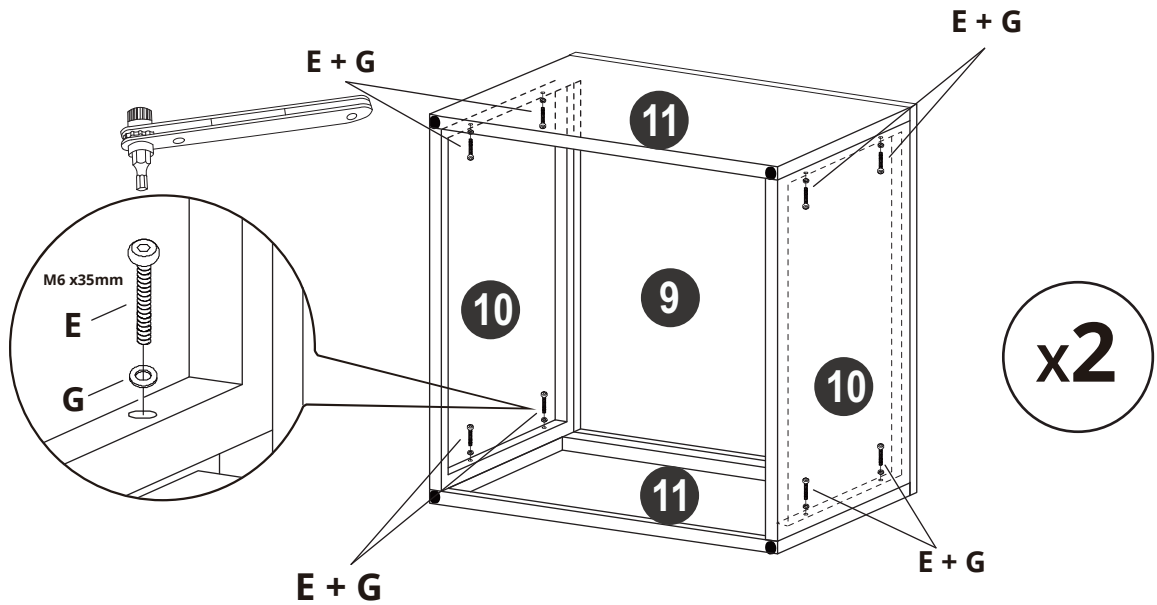


ASSEMBLY INSTRUCTIONS

Step 11

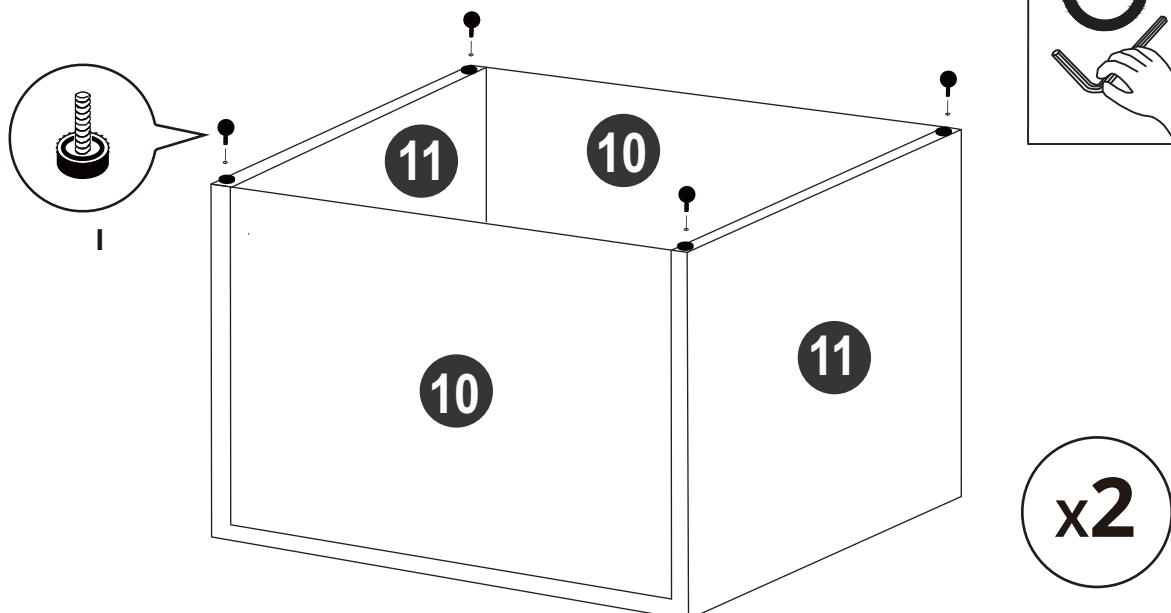
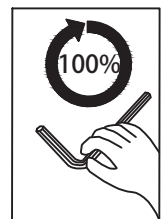


A		1
E	 M6 x 35mm	16
G	 M6	16



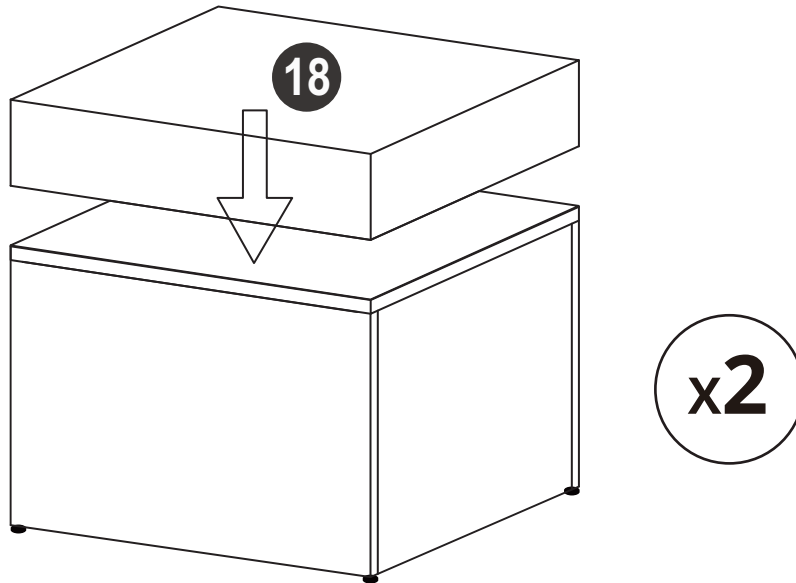
Step 12

I		8
---	--	---

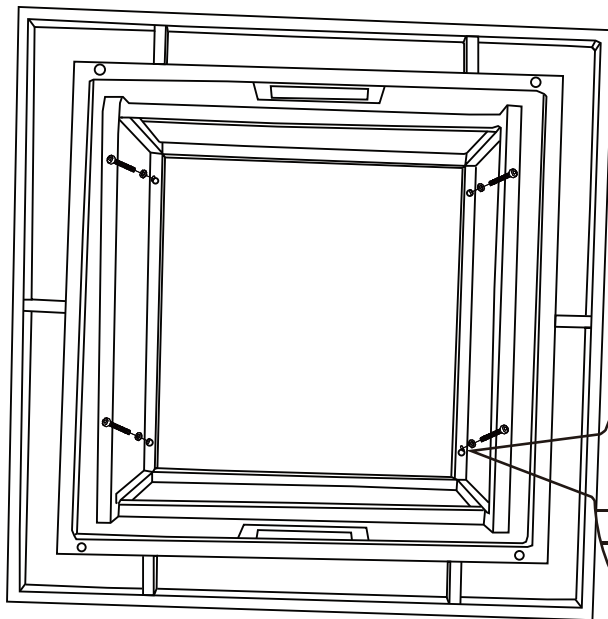
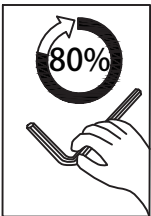





ASSEMBLY INSTRUCTIONS

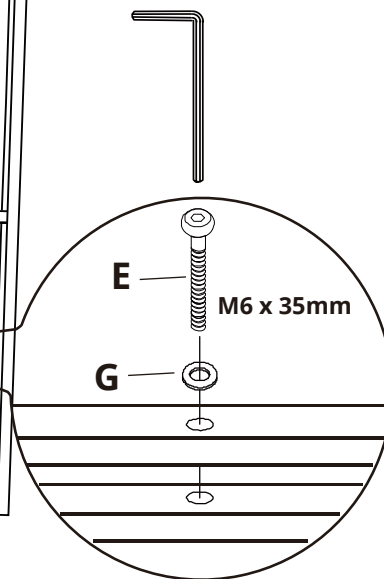
Step 13



Step 14



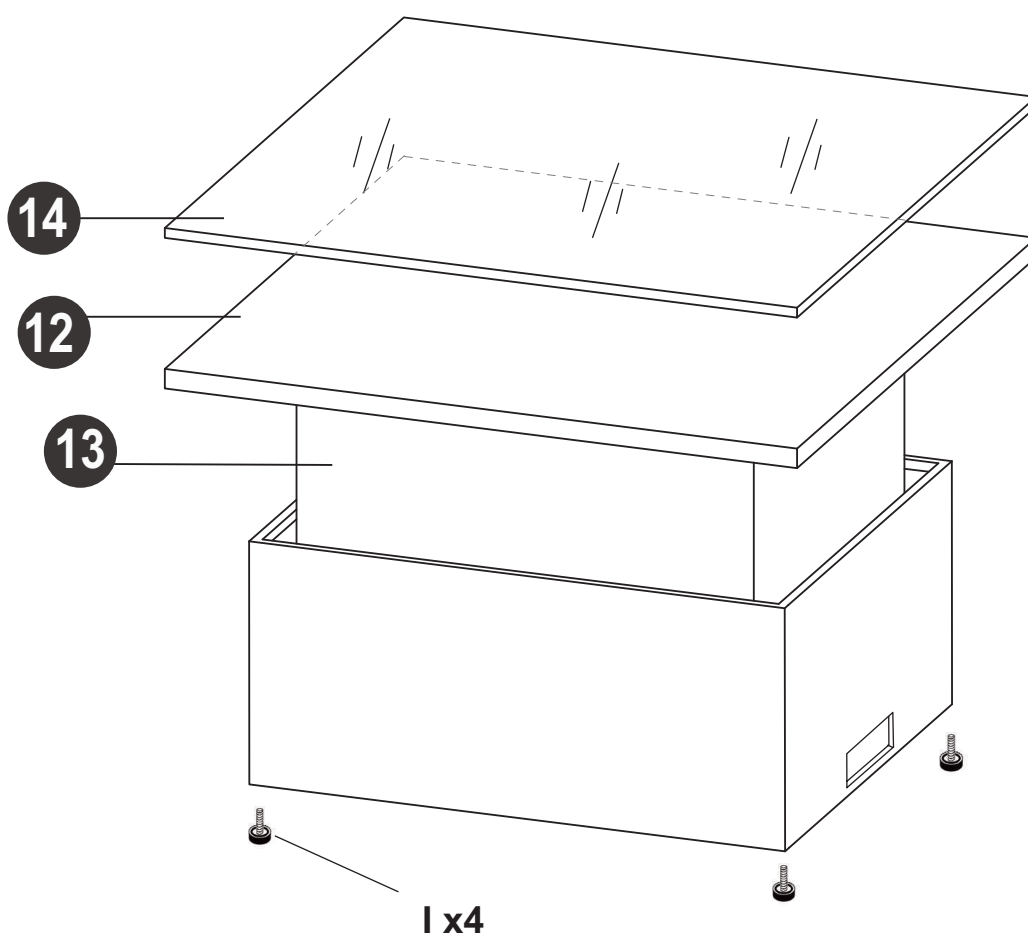
K		1
E	 M6 x 35mm	4
G	 M6	4



ASSEMBLY INSTRUCTIONS

Step 15

1		4
---	---	---



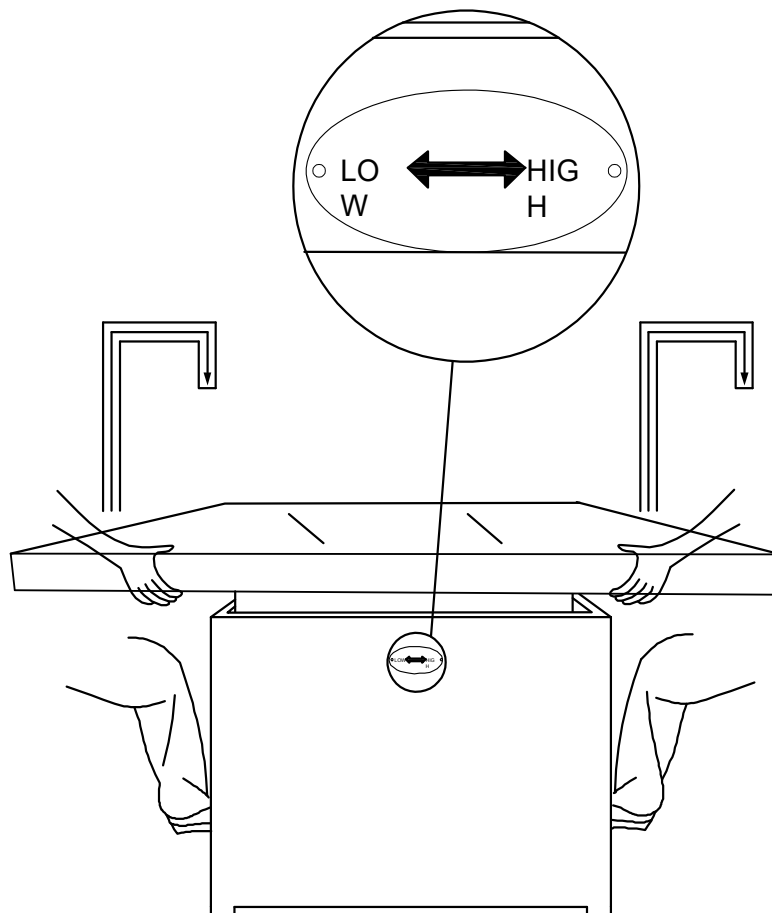
ASSEMBLY INSTRUCTIONS

Please follow the direction of metal badge on the table , which shows how to change the height.

OPTION 1: High dining table

Firstly, with one person on each side of the table, place one foot each in the hole on either side of the table, then lift the table top up and push it to the right side to fix the height as depicted on the metal badge.

Step 16



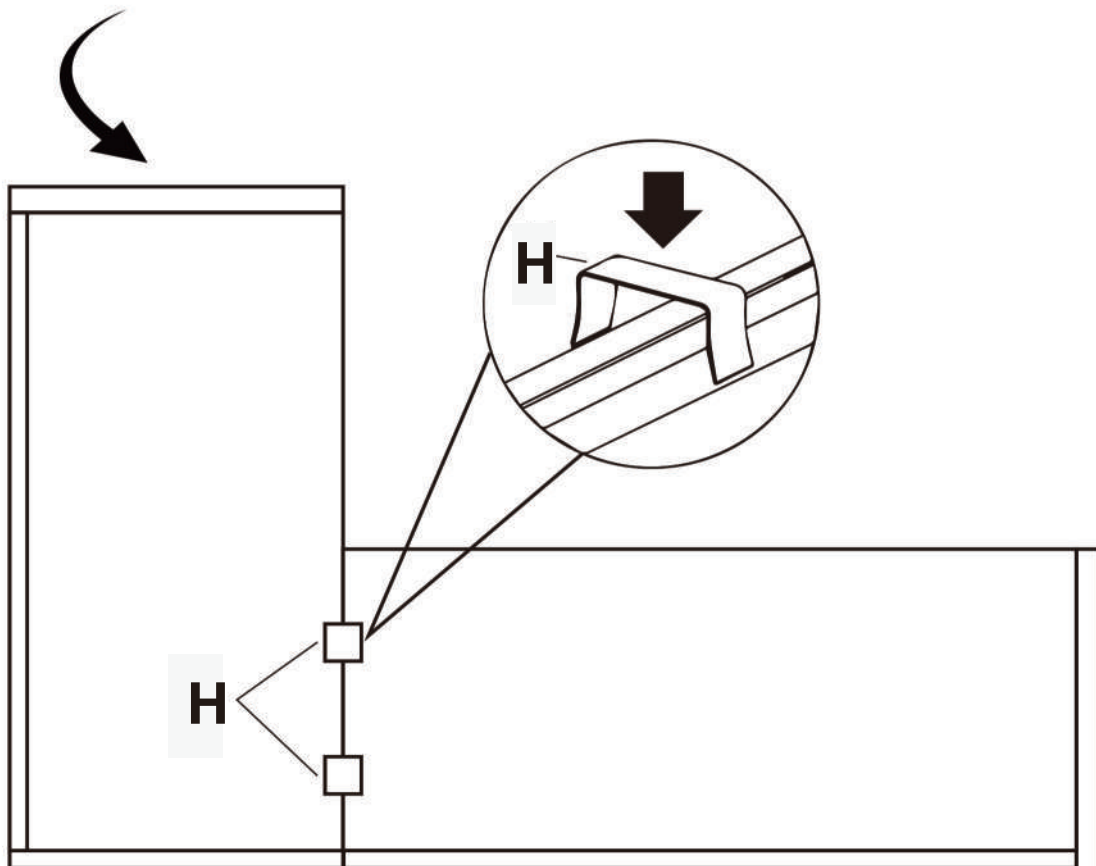
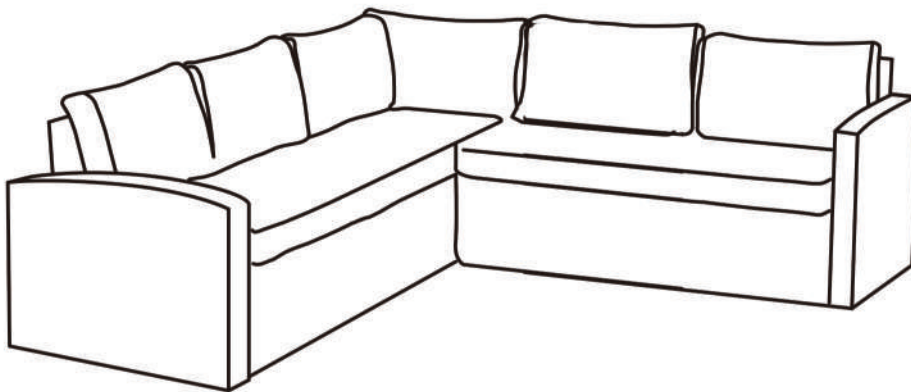
OPTION 2: Low coffee table

Firstly, with one person on each side of the table, place one foot each in the hole on either side of the table, then push it to the left side to lower the height as depicted on the metal badge.

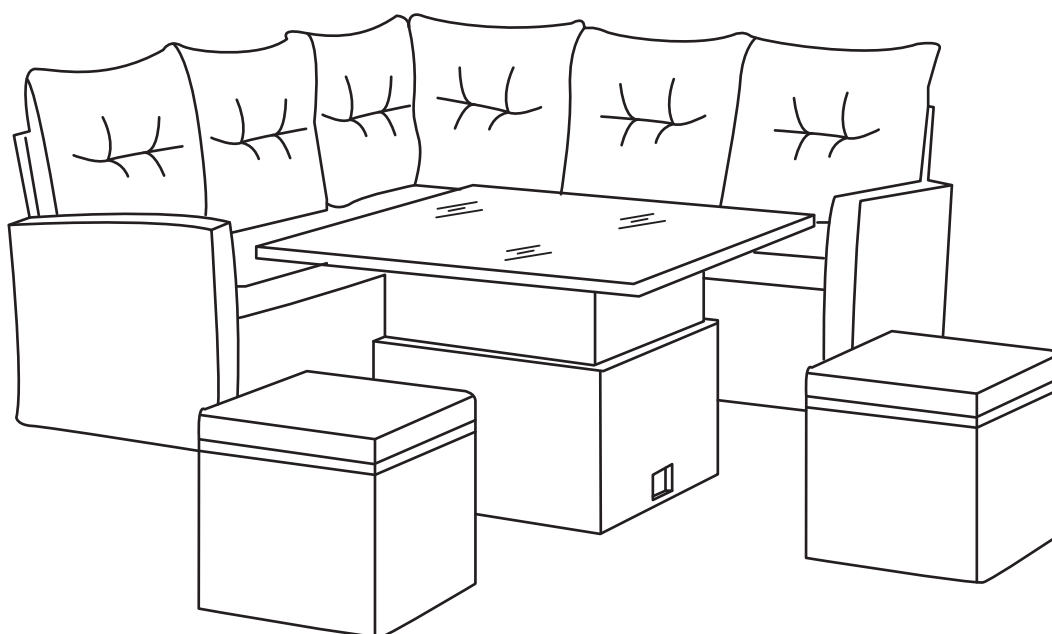
ASSEMBLY INSTRUCTIONS

Step 17

H		2
---	---	---



ASSEMBLY INSTRUCTIONS



*Congratulations!
Now you have finished assembling the product.*