



Home Garden

DIRECT

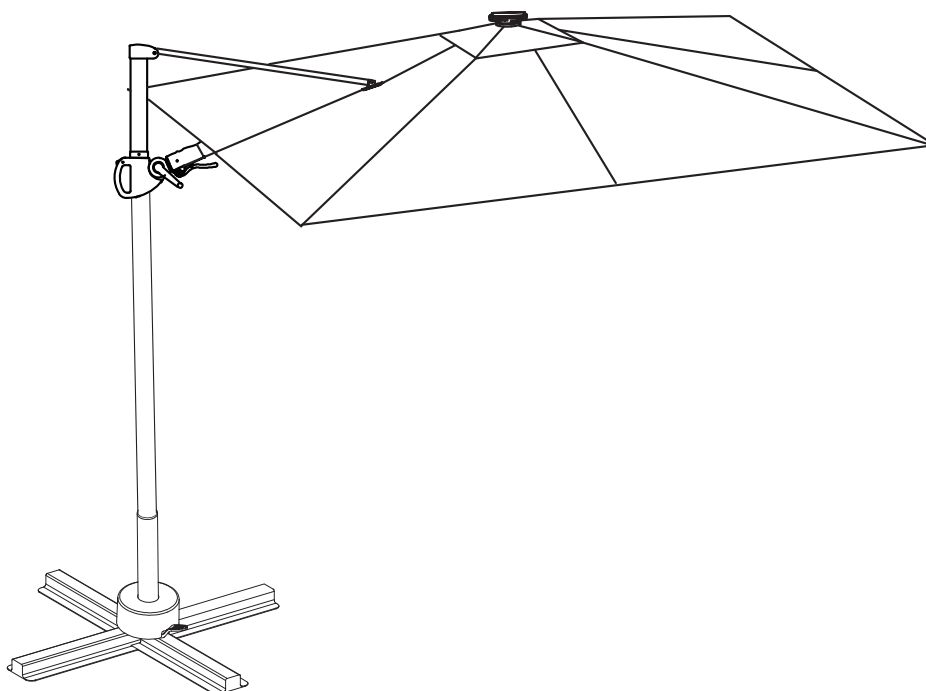


www.homegardendirect.co.uk :

OR054 parasol 2.5M with LED

SRS-PARA-2.5M-LED-01

Instruction manual





SAFETY AND CARE ADVICE

PLEASE READ THESE INSTRUCTIONS CAREFULLY AND KEEP FOR FUTURE

- Check you have all the components and tools listed on pages 2 and 3.
- Remove all fittings from the plastic bags and separate them into their groups.
- Keep children and animals away from the work area, small parts could choke if swallowed.
- Make sure you have enough space to layout the parts before starting.
- Do not stand or put weight on the product, this could cause damage.
- Assemble on a soft level surface to avoid damaging the unit or your floor (use opened out unit carton).
- We do not recommend the use of power drill/drivers for inserting screws, as this could damage the unit. Only use hand screwdrivers.
- If there is any chance of this unit being pulled over by children etc. It is recommended that the unit is secured to a wall using suitable fixings.
- Dispose of all packaging carefully and responsibly.



Care and maintenance




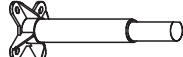


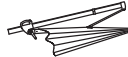






Only clean using a damp cloth and mild detergent, do not use bleach or abrasive cleaners.

From time to time check that there are no loose screws on this unit.

This product should not be discarded with household waste.

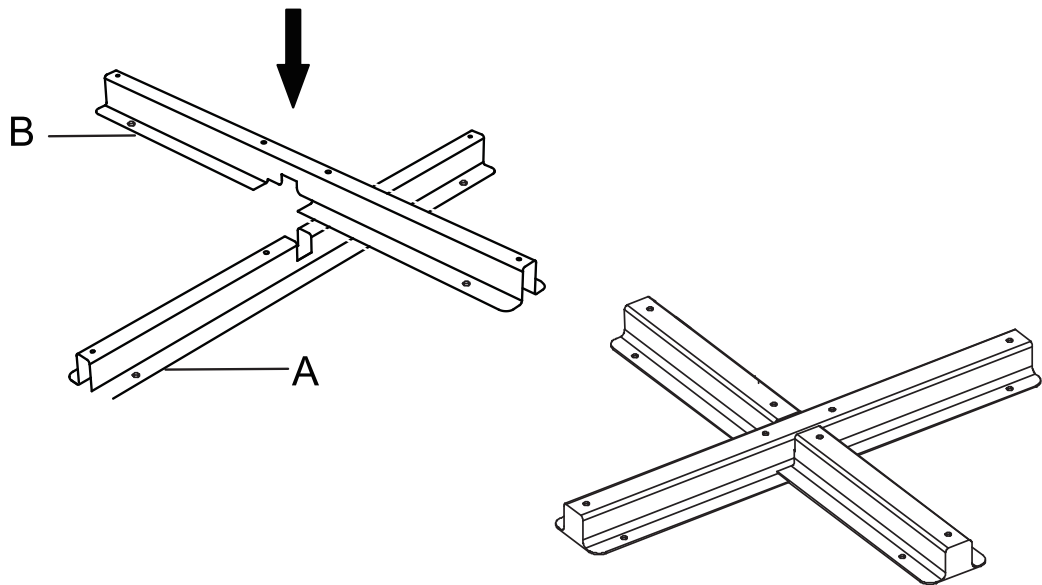
Take to your local authority waste disposal center.

COMPONENTS

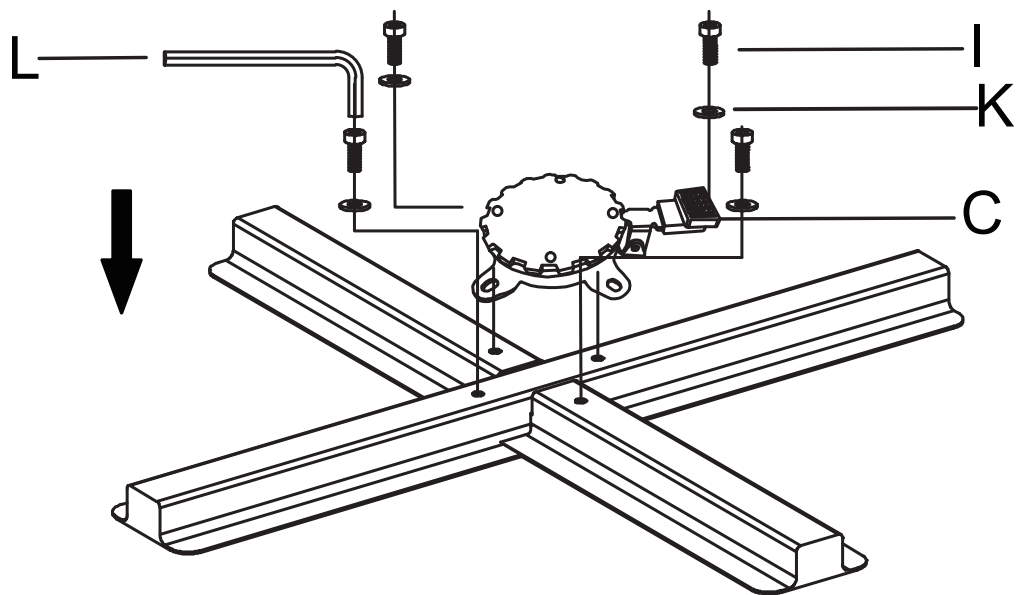
A  x1	B  x1	C  x1	D  x1
E  x1	F  x1	G  x1	H  x1
I  M8*20 x4	J  M8*14 x4	K  M8 x8	L  M8 x1
M  x1			

ASSEMBLY INSTRUCTIONS

Step 1

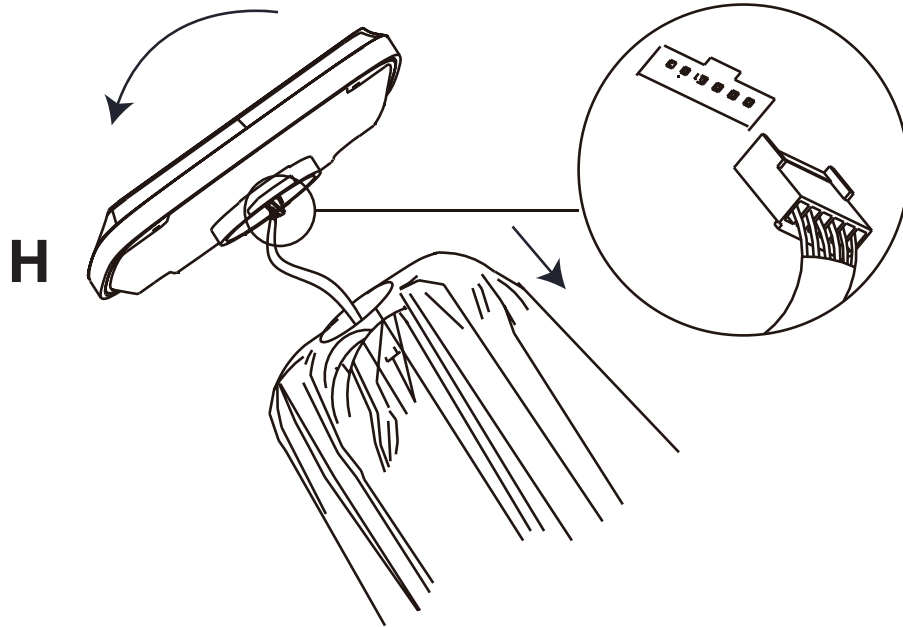


Step 2

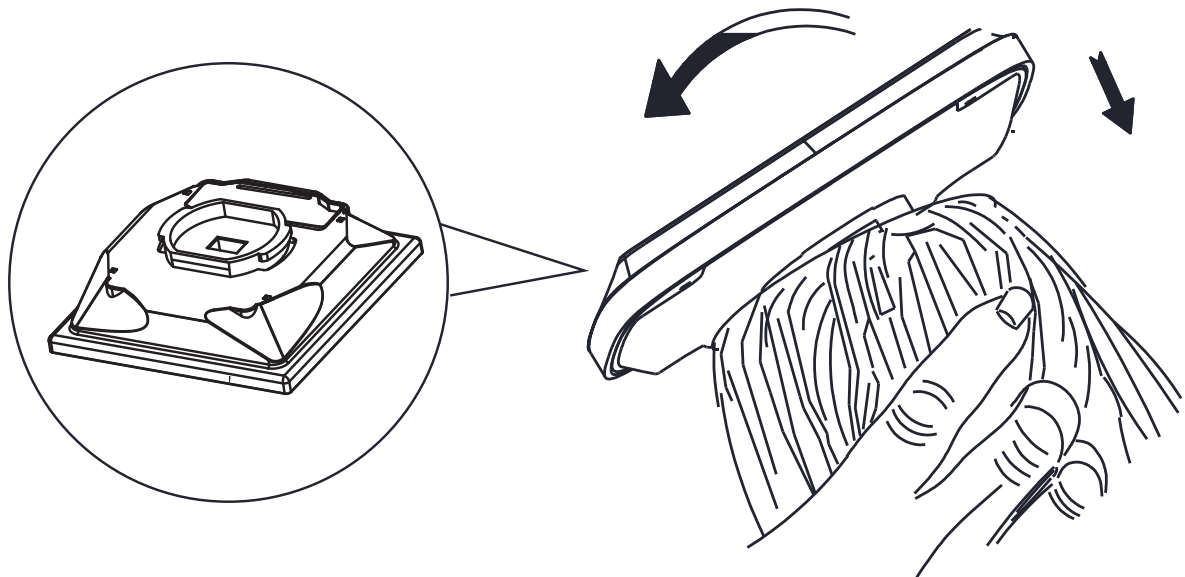


ASSEMBLY INSTRUCTIONS

Step 5



Step 6



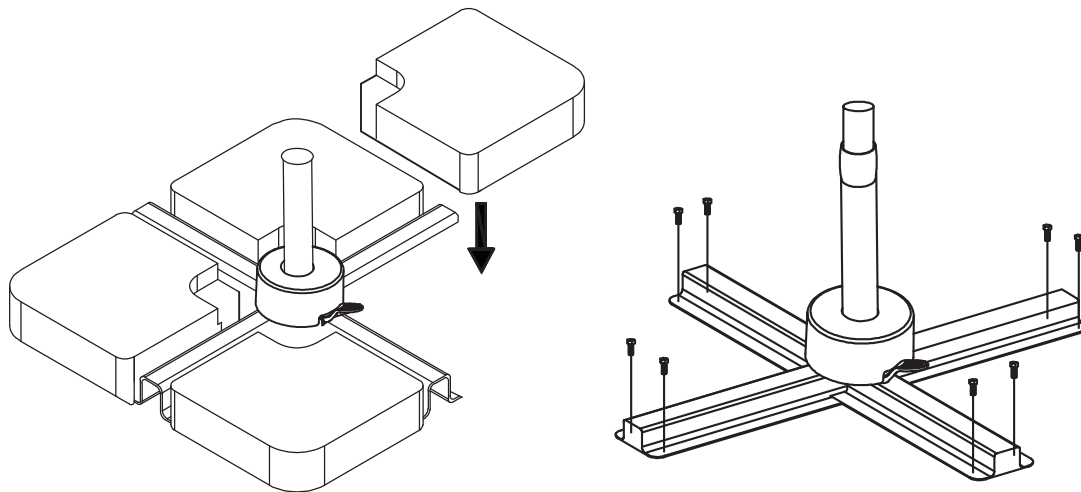
ASSEMBLY INSTRUCTIONS

Step 7

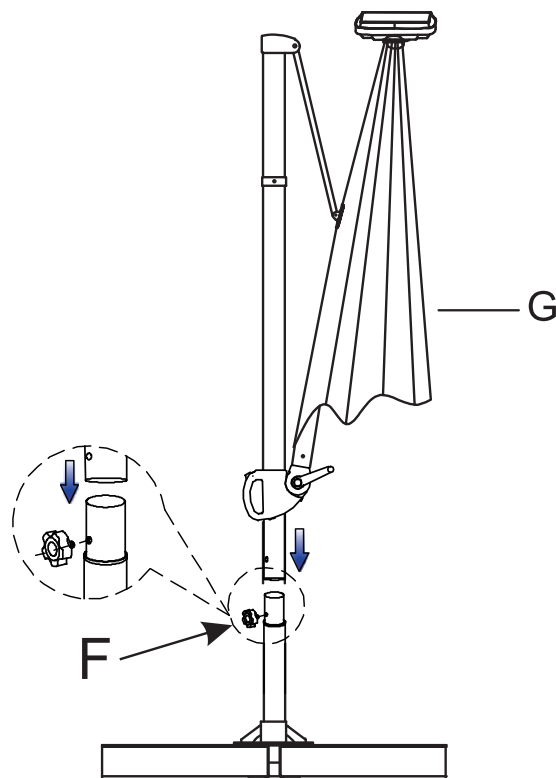
PLEASE NOTE PARASOL BASE IS NOT INCLUDED.

HOME GARDEN DIRECT PARASOL BASE MODEL :

TANTALUS parasol base 50cm black, TAN-PRSL-BASE-BLK50-01

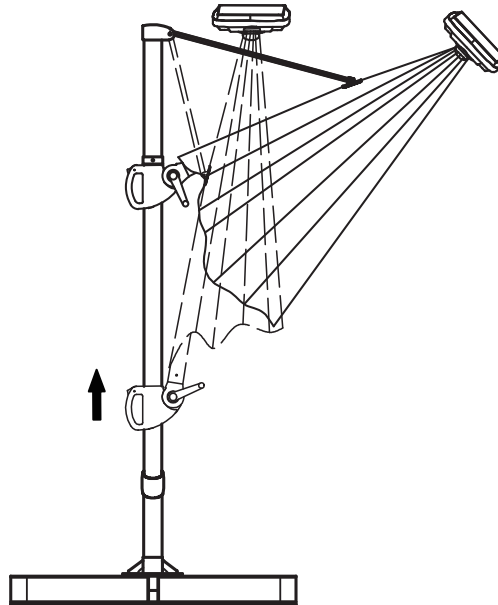


Step 8

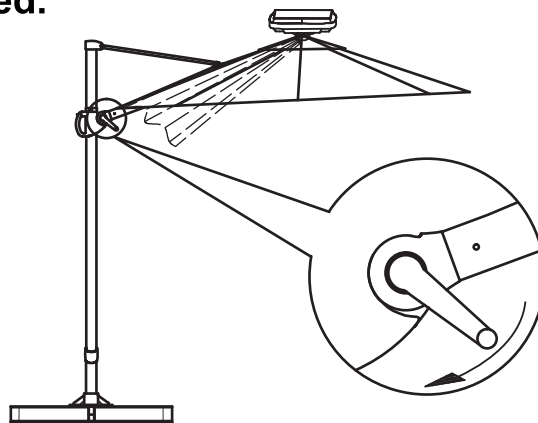


ASSEMBLY INSTRUCTIONS

- Step 9** Squeeze the trigger to unlock then slide the handle upwards until it is fully extended and stops.



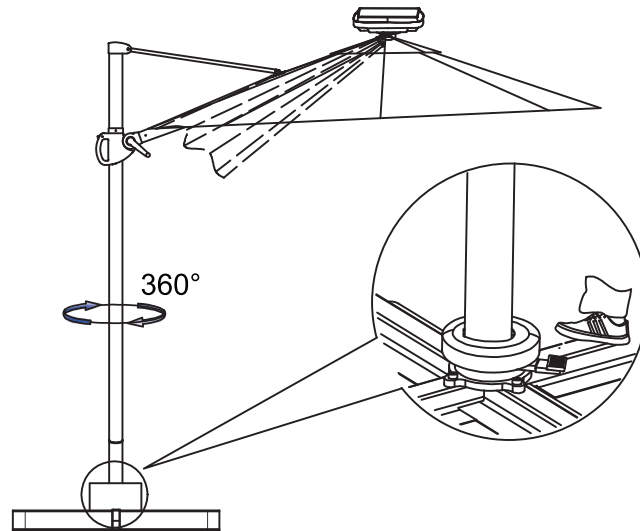
- Step 10** To open the umbrella turn the crank handle gently in a clockwise direction to open the umbrella canopy. Once the umbrella is fully open you can tilt the canopy angle by squeezing the trigger and releasing the button to set the canopy in the desired position. **The tilt option should only be used on days with NO WIND, use of the tilt function in even a light breeze may damage the umbrella and is not recommended.**



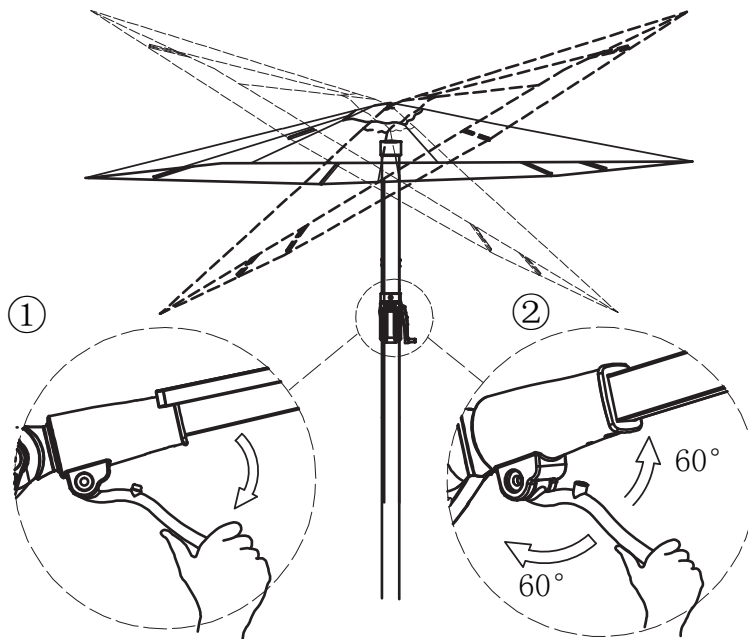
ASSEMBLY INSTRUCTIONS

Step 11 The umbrella is able to rotate up to 360 degrees by pressing down the locking mechanism (as shown). To fix the umbrella at a desired position, simply release the lock.

NOTE: Periodically, you must use a lubricant on the rotate bearing to prevent the loss of function of the locking mechanism.

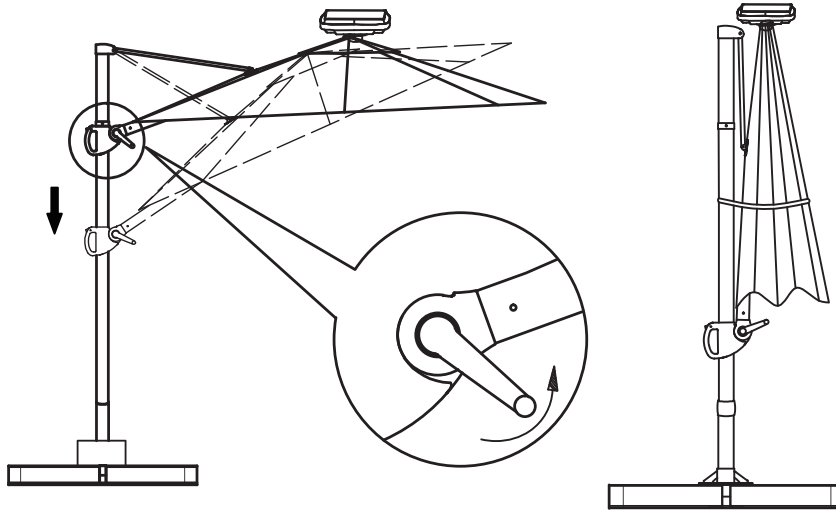


Step 12 The umbrella is able to be left and right tilt in 60 degrees by turning the handle to set the canopy in desired position.

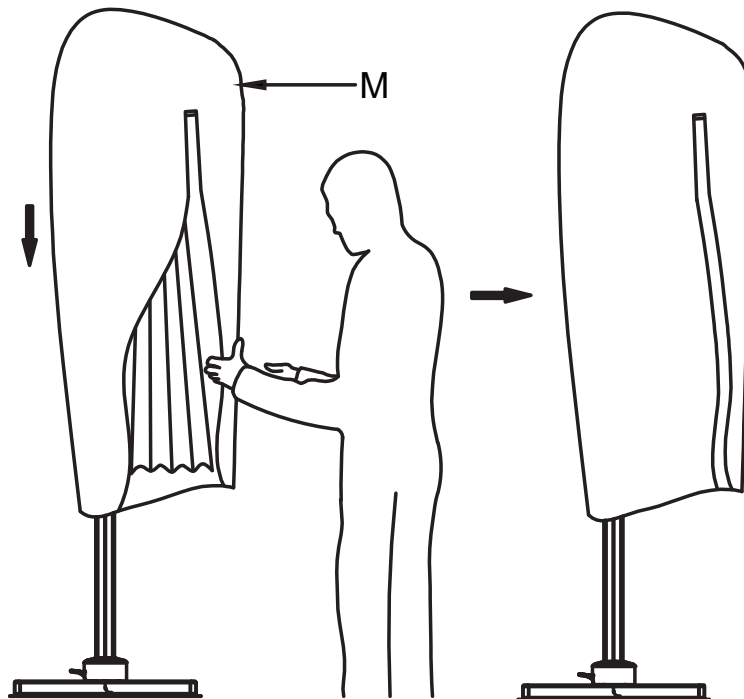


ASSEMBLY INSTRUCTIONS

Step 13 To close the umbrella, first bring the canopy back to a horizontal position, then gently turn the crank handle in counter-clockwise direction until the canopy is fully closed. Squeeze the trigger to unlock then slide the handle downwards until it is fully closed and stops. Secure the canopy to the pole using the Velcro strap provided.



Step 14 Put the raincover to protect the umbrella when not in use.



ASSEMBLY INSTRUCTIONS

Step 15 Charging the battery:

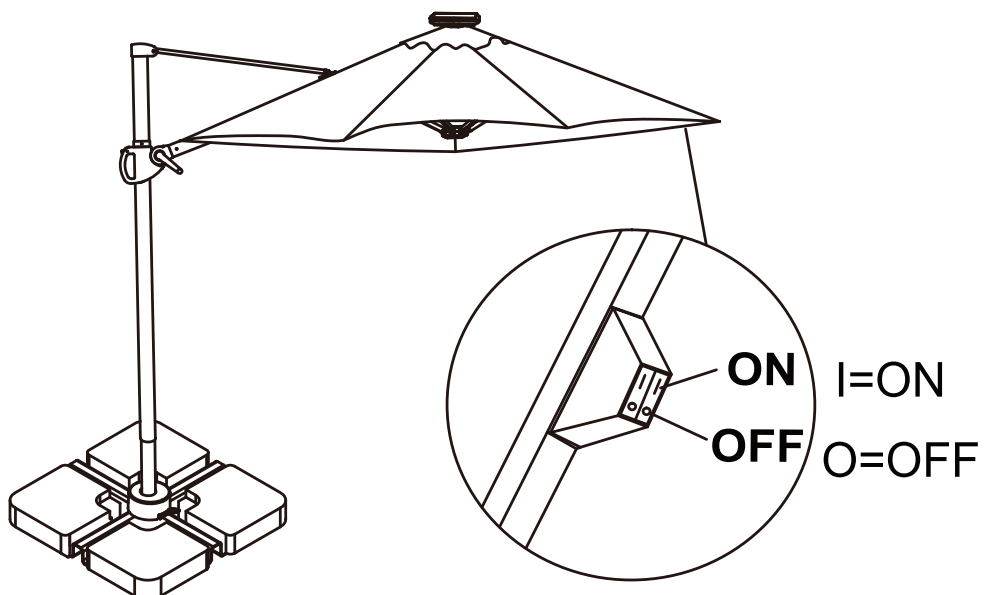
Always place the solar panel in direct sunlight to charge the battery.

IMPORTANT NOTE: Please ensure the battery is charged for at least 8 hours in direct sunlight before first use, failing to follow this step may shorten the lifespan of the re-chargeable battery and decrease the performance of the lights. Make sure both the switches on the rib are always set to the “OFF” ‘O’ position during charging.

Operating the lights:

To operate the lights, turn the switches (located on the end of one rib) to the ON ‘I’ position. Ensure the switches are in the OFF ‘O’ position when not using the lights.

CAUTION: If the lights are left on during the day the battery will NOT charge.

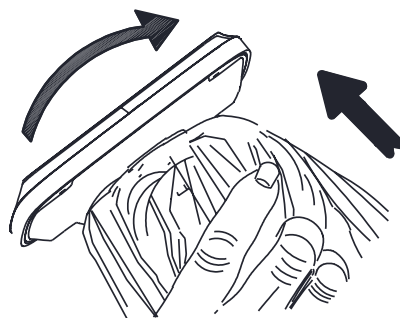


ASSEMBLY INSTRUCTIONS

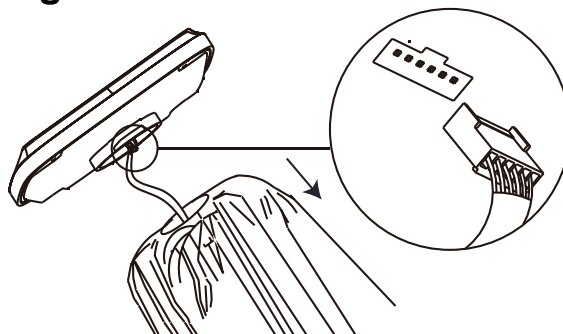
We recommend that you replace the battery in your solar umbrella once every year (or when you feel that the light is fading more quickly). You can purchase a replacement battery at specialty retailers. You will need 1 piece 18650 Lithium 2000mAh rechargeable battery which is the same as supplied from new.

Failure to insert battery in the correct polarity, as indicated in the battery compartment may shorten the life of the battery or cause the battery to leak. Do not dispose of battery in fire. Battery should be recycled or disposed of as per state and local guidelines. Do not mix old and new batteries. Do not mix Alkaline, Standard (Carbon-Zinc) or rechargeable (Nickel Cadmium) or (Nickel Metal Hydride) batteries.

Step 1 Twist the solar panel counter clockwise and remove it from the top of the umbrella.



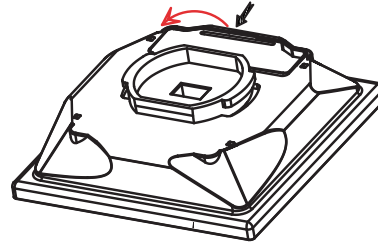
Step 2 Carefully pull the plug out of the socket under the solar panel.
IMPORTANT: Do not pull the wire to remove the plug.



ASSEMBLY INSTRUCTIONS

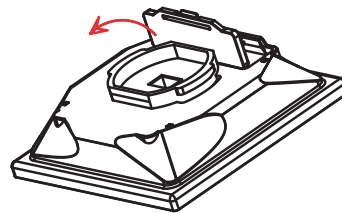
Step 3

Place the solar panel on a flat surface, then open the battery cover as shown.



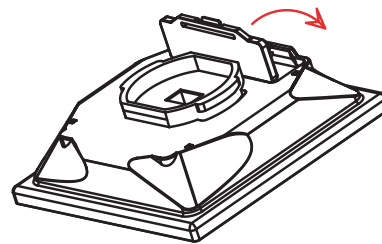
Step 4

Carefully open the solar panel. Replace the batteries, matching the +/- on the battery with the +/- on the battery case.



Step 5

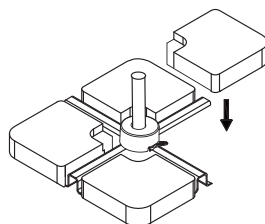
Please ensure the O ring is correctly located before replacing the cover.



OFFSET UMBRELLA BASE TIPS

STANDARD INSTALLATION

- The cross base supplied with this offset umbrella requires 4 individual base weights at least 45lbs (20kg) each for a minimum combined weight of 180lbs (80kg) to provide the necessary support and stability. As a general rule the more weight the better the umbrella will be supported.
- Failing to use the minimum base weight will damage the umbrella and may also cause personal injury.



SPECIAL INSTALLATION

- If you have a suitable timber deck, the cross base can be secured to it using 2" (5cm) M8 coach bolts or deck screws (not supplied). Ensure the fixing points are made into joists or bearers not just the decking boards. If using this option, extreme care must be taken to ensure the umbrella is never opened or used in wind greater than 5mph (8kph).

