

**10 : 00**

---

estimated  
installation time



**1 or more**

---

people required

Ok, let's  
get started!



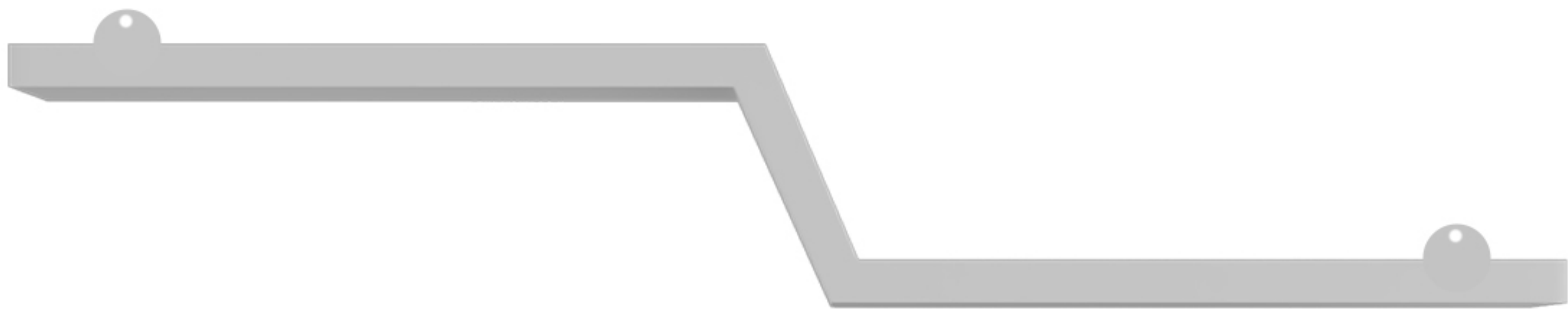
- Put on mood music!
- To prevent damage to product, use the clean side of package carton or rug as working surface.
- In the event of missing or damaged parts, delivery problems etc., please reach out to our team.  
We will be happy to fix the problem!

# care guide

- Clean regularly with a soft and dry cloth.
- To protect finish, avoid use of abrasive cleaners.
- Wipe up spills immediately. Please!



product  
parts

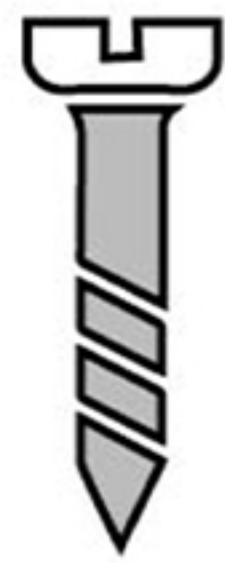


(A)  
Shelf  
x1



(B)  
Shelf  
x1

# what's included



(C)- Screw  
x4



(D)- Wall Plug  
x4

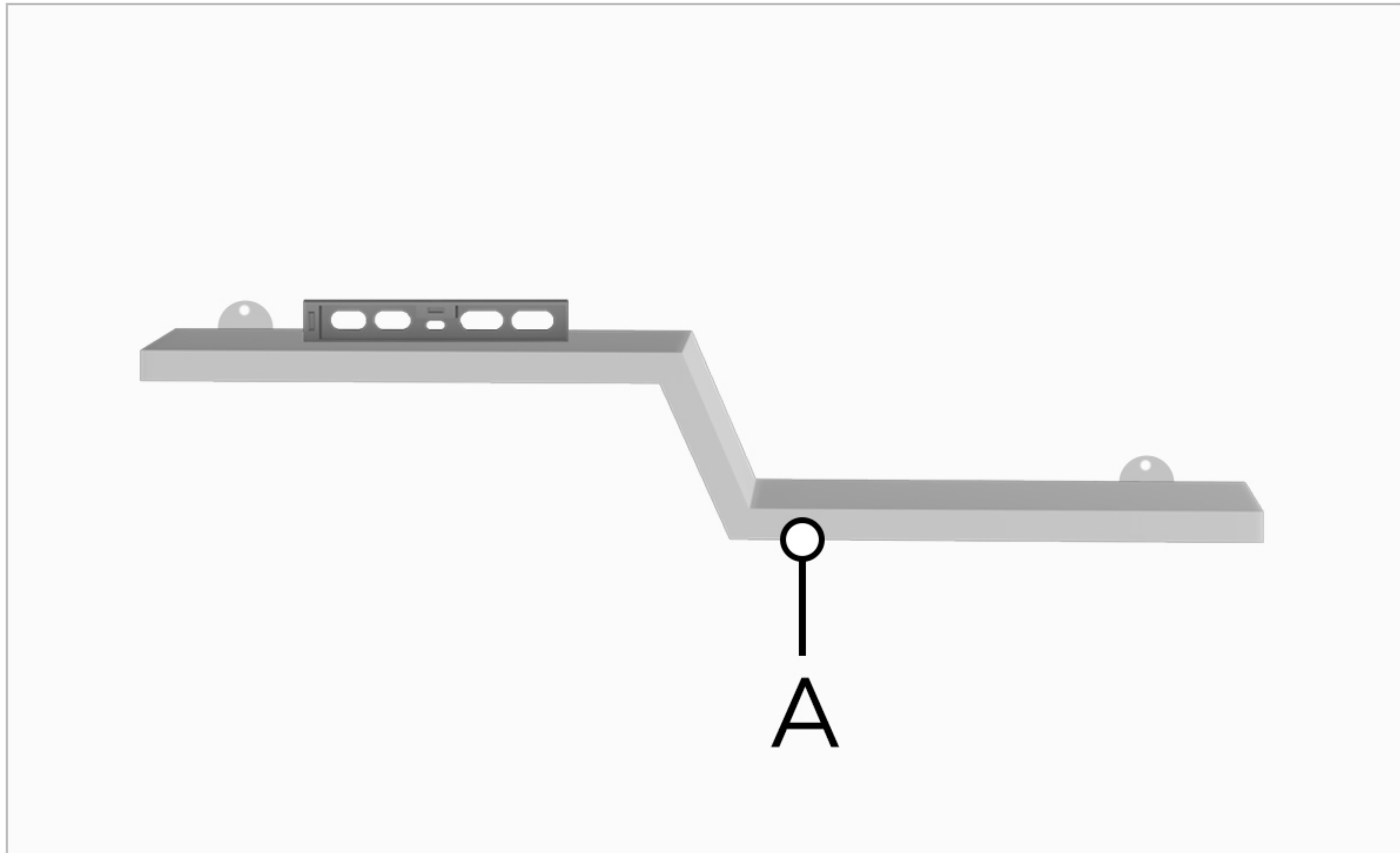
# installation instructions

Take a deep breath going in.  
This is easy even if you are not  
used to tools. Just follow these  
steps to the T, and the  
outcome will be  
worth it!



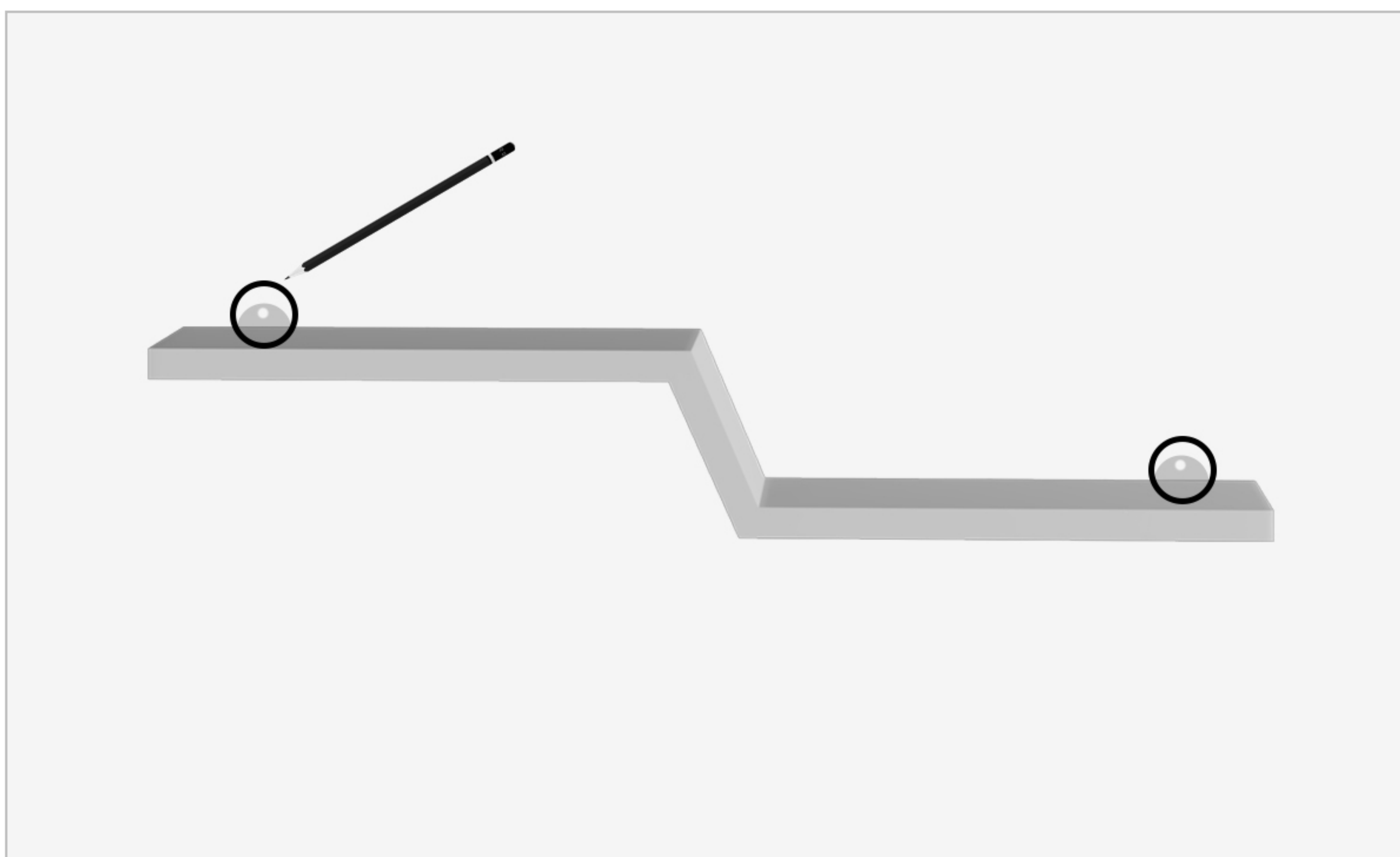
## step 1:

Begin by placing shelf (A) on the wall and put a spirit level on it to check the alignment. Adjust if needed.



## step 2:

Once the shelf is in a straight alignment, use a pencil to mark two points through the holes given in the D-bracket. Take this image as a reference.



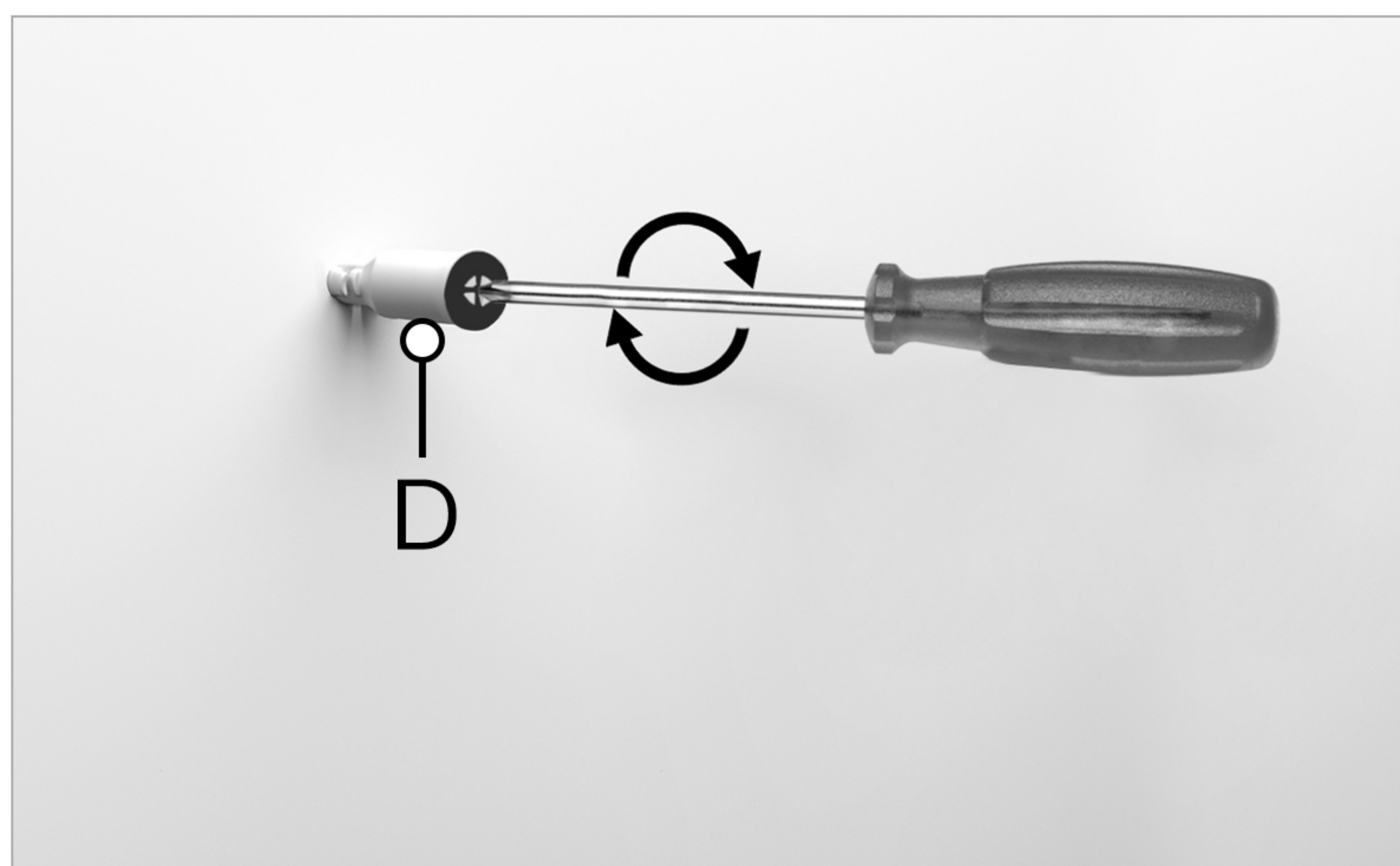
step 3:

Drill holes approx. 10 mm at the points you just marked



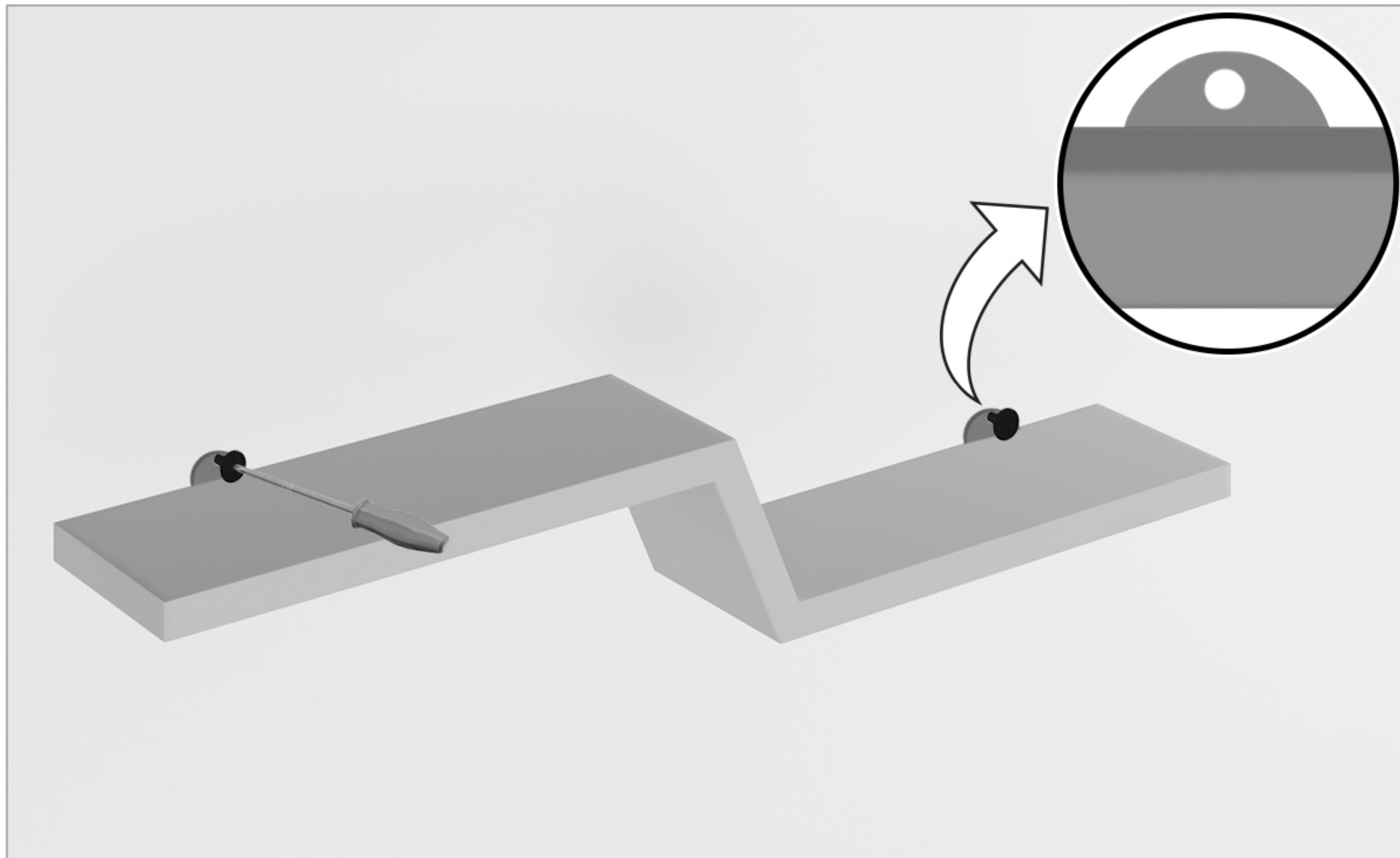
step 4:

Insert the wall plug (D) and tighten with the help of a screwdriver.



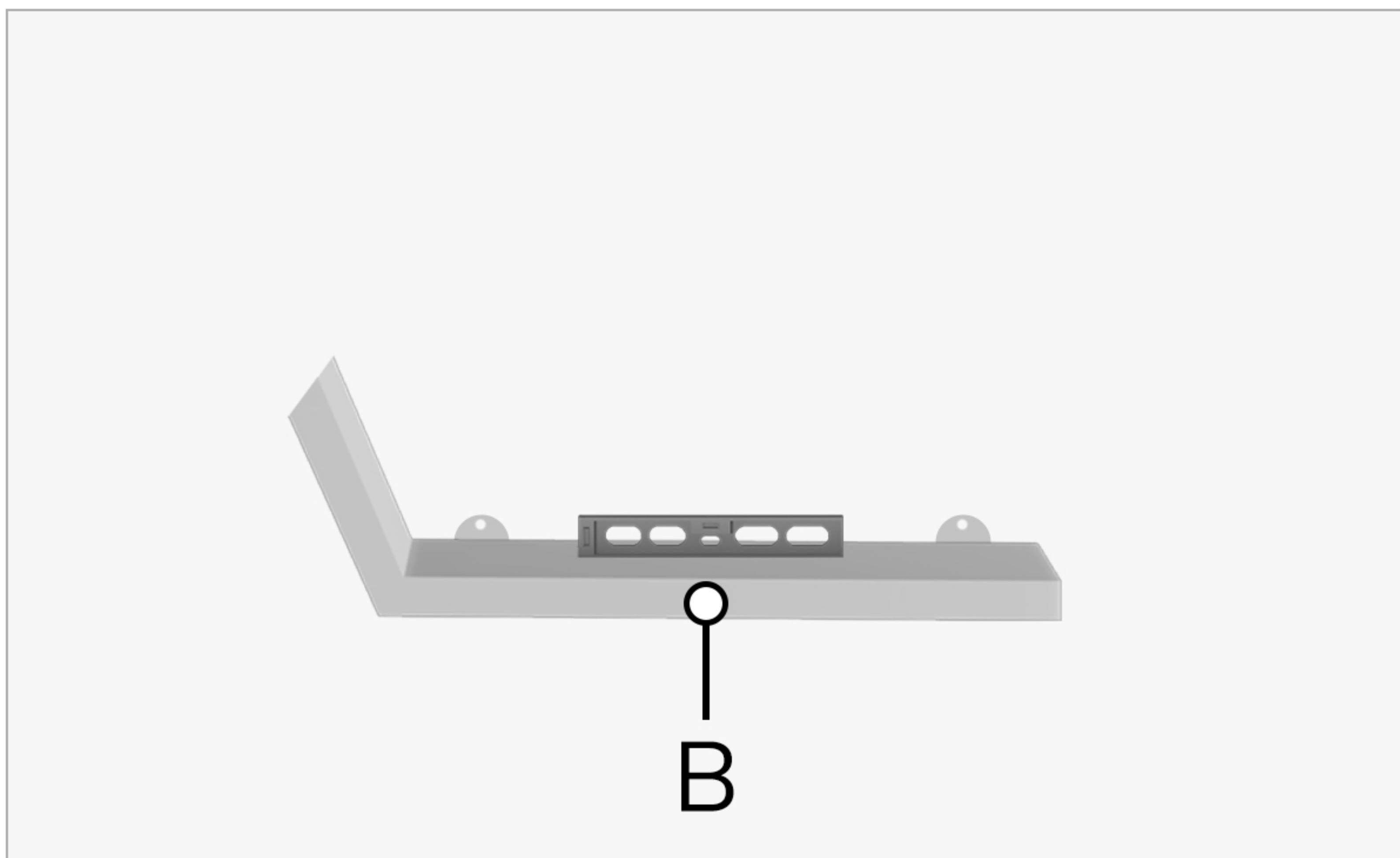
step 5:

place the shelf over the wall plugs and insert screws (C) into the wall plugs using a screwdriver.



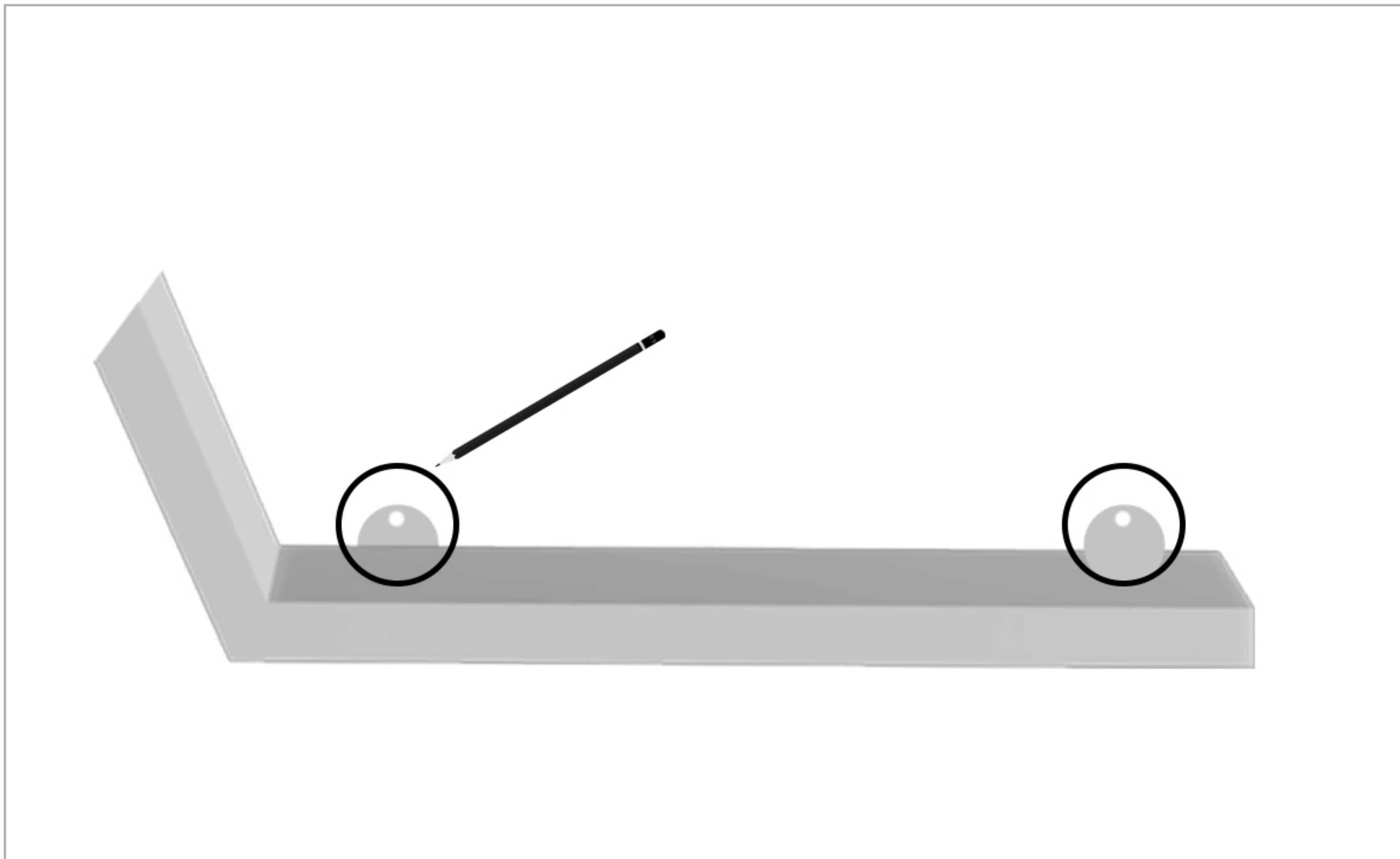
step 6:

Follow the same steps to install shelf (B). Place it on the wall where you want it and put a spirit level on it to check the alignment. Adjust if needed.



step 7:

Using the holes on D-brackets, mark the drilling points.



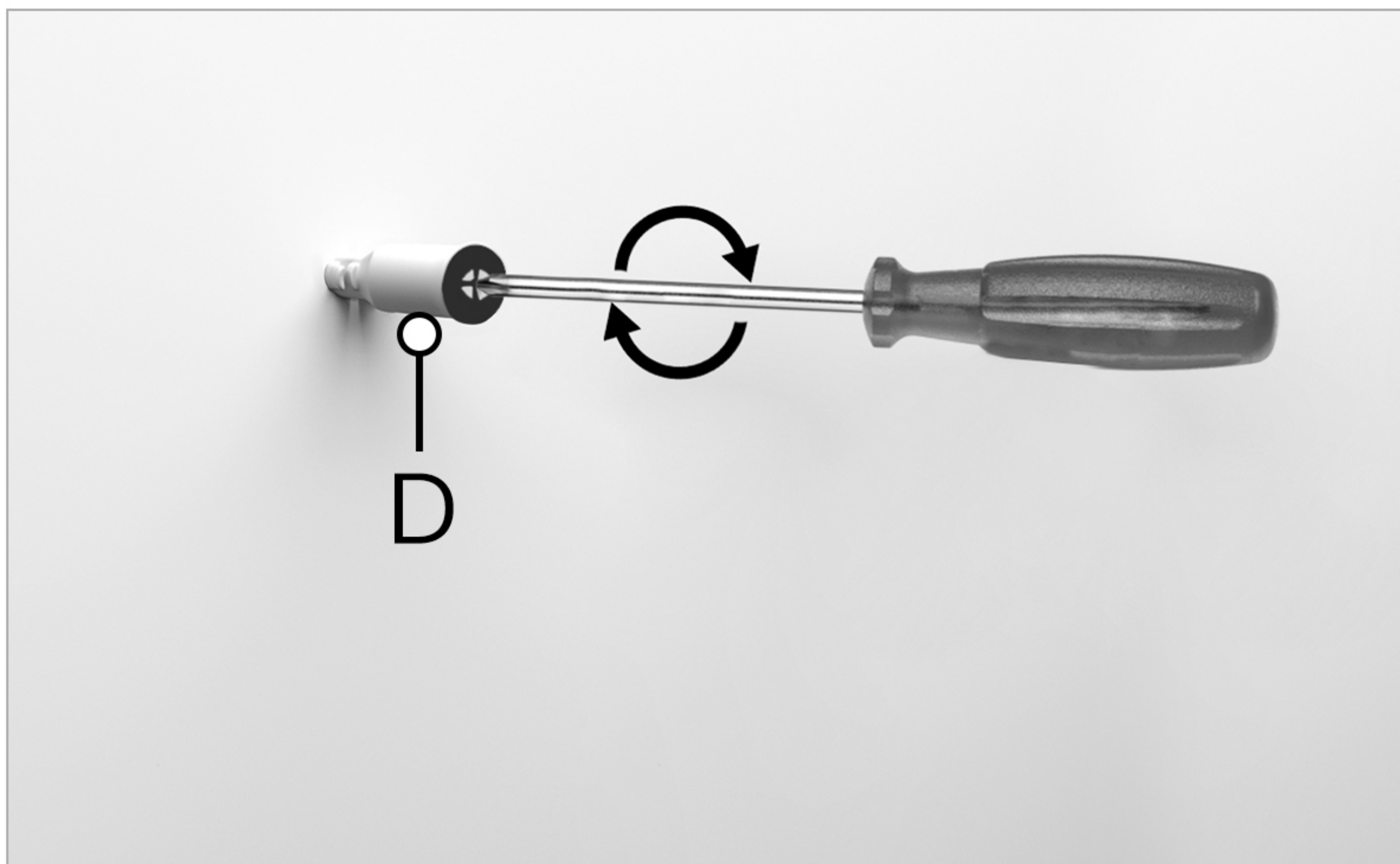
step 8:

Drill holes approx. 10 mm at the points you just marked



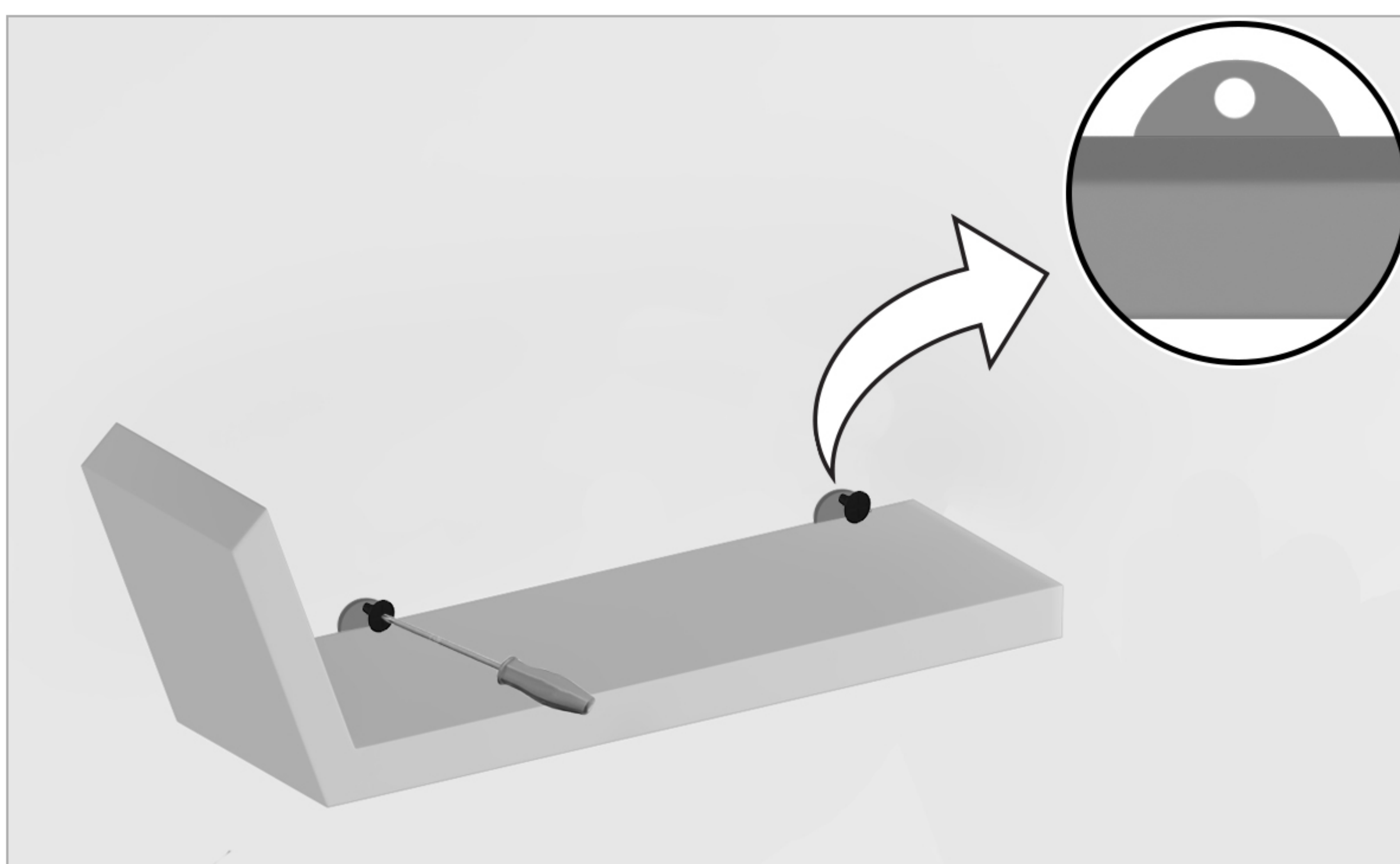
step 9:

Insert the wall plug (D) and tighten with the help of a screwdriver.



step 10:

place the shelf over the wall plugs and insert screws (C) into the wall plugs using a screwdriver.



---

**Voila! Your shelf is now installed and secure!**

you've  
got  
a home  
with us

