

20 : 00

installation time



2 or more

people required

Ok, let's  
get started!



- Put on mood music!
- To prevent damage to product, use the clean side of package carton or rug as working surface.
- In the event of missing or damaged parts, delivery problems etc., please reach out to our team.  
We will be happy to fix the problem!

# care guide

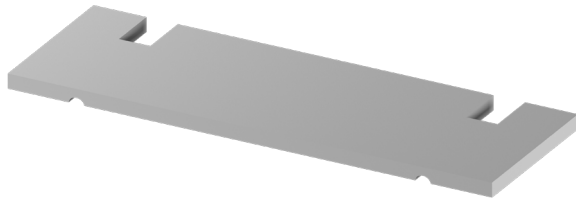
- Clean regularly with a soft and dry cloth.
- To protect finish, avoid use of abrasive cleaners.
- Wipe up spills immediately. Please!

---

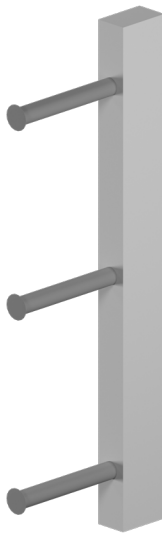
ⓘ **While assembling the product, tighten the bolts up to 50%. Once all parts are in place, only then fully tighten the bolts.**



# product parts



(A)  
Shelf  
x3



(B)  
Frame  
x2

# what's included



(C) - Screw  
x2



(D) - Wall Plug  
x2



(E) - Stencil template  
x1

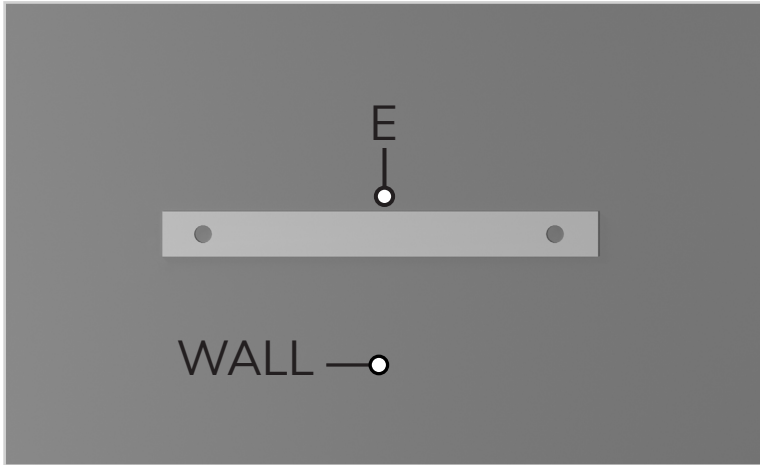
## installation instructions

Take a deep breath going in.  
This is easy even if you are not  
used to tools. Just follow these  
steps to the T, and the  
outcome will be  
worth it!



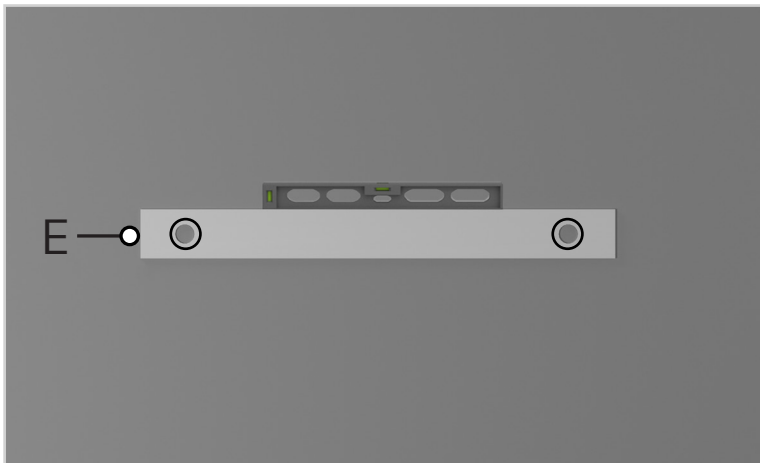
## step 1:

Start by placing the stencil (E) at the wall where your shelf will be hung.



## step 2:

Put a spirit level on it to check the alignment. Adjust if needed. Once it is in a straight alignment. Take this image as a reference.



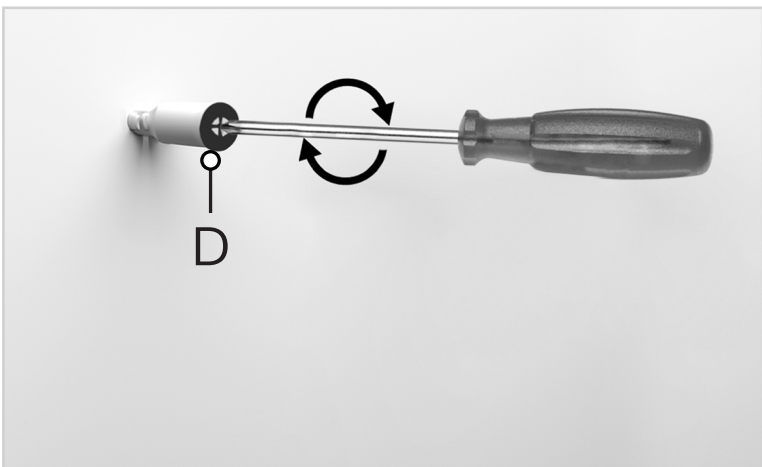
step 3:

Drill holes approx. 10 mm at the points you just marked.



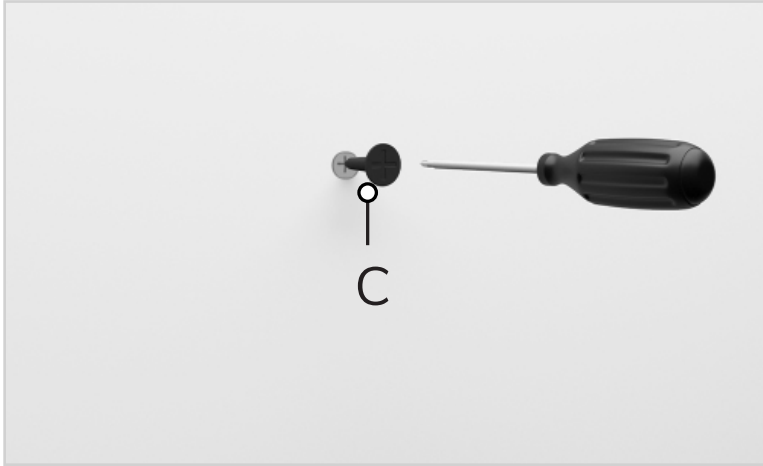
step 4:

Insert wall plugs (D) with the help of a screwdriver.



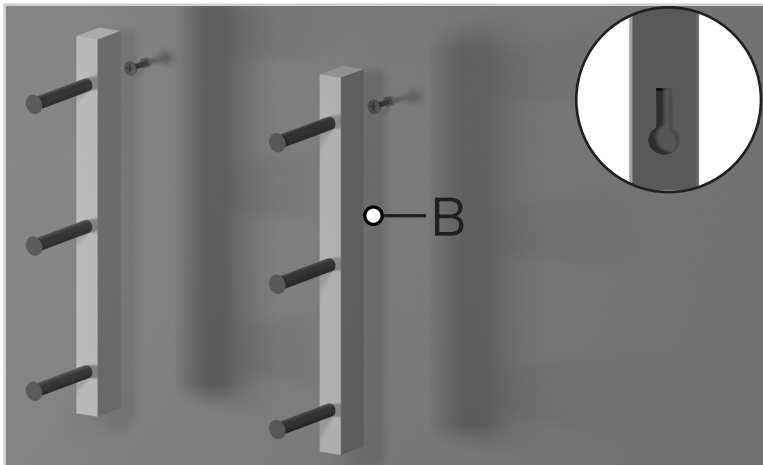
step 5:

Then, insert screws (C) into the wall plugs using a screwdriver.



step 6:

Now, take the wooden frames (B) and hang them over the screws.



## assembly instructions

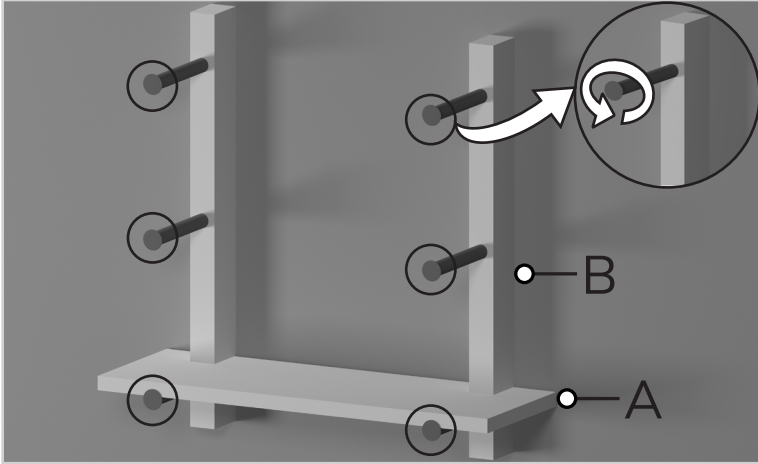
Friendly Tip: Take a deep breath going in. This may be a tricky part, but nothing too overwhelming. Just follow these steps to the T and the outcome will be worth it!



- ⓘ While assembling the product, tighten the bolts up to 50%. Once all parts are in place, only then fully tighten the bolts.

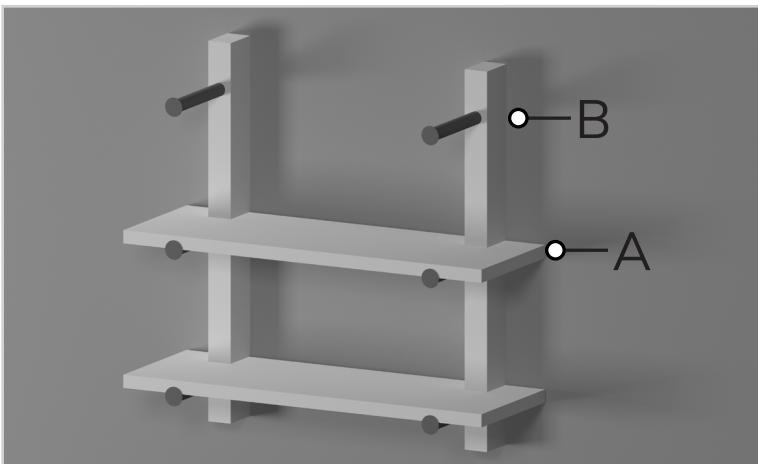
### step 1:

Begin with loosening the dowel caps on the dowels and then place the wooden shelf (A) over it. Take the image below for reference. Make sure the cut out on the shelf align with the frames.



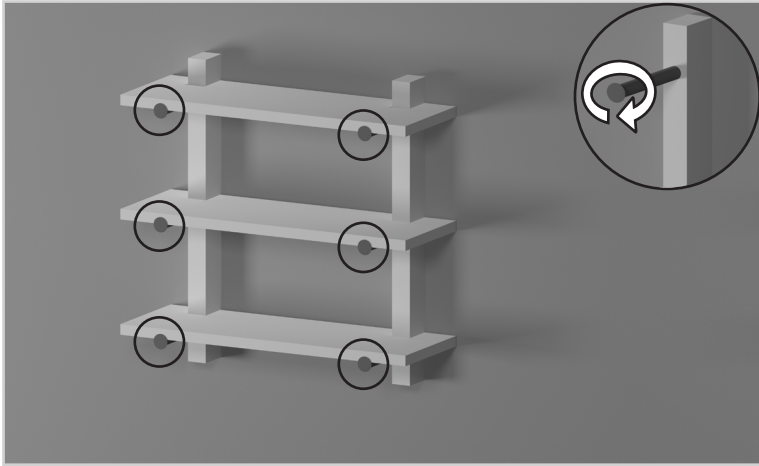
### step 2:

Repeat step 1 with the remaining shelves.



step 3:

Now, tighten the dowel caps fully so the shelves are securely fixed in place.



**Note:** For optimal safety and to maintain the shelf's structure, avoid applying force on the wooden planks from beneath & always handle it by the wooden frame to prevent the planks from becoming dislodged.



---

**Voila! Your shelf is now installed and secure!**

you've  
got  
a home  
with us

