



10 : 00

estimated assembly



2 or more

people required

Ok, let's
get started!



- Put on mood music!
- To prevent damage to product, use the clean side of package carton or rug as working surface.
- In the event of missing or damaged parts, delivery problems etc., please reach out to our team. We will be happy to fix the problem!

care guide

- Clean regularly with a soft and dry cloth.
- To protect finish, avoid use of abrasive cleaners.
- Wipe up spills immediately. Please!



product
parts



A
Table Top
x1



(B)
Table legs
x4

what's included



(C)- Metal Plate
x4 Pcs



(D)- Bolt
(8x25)
X4 Pcs



(E)- Bolt
(8 x 20)
x8 Pcs



(F)- Washer
(8X20)
x8 Pcs



(G)- Allen Key
(5mm)
x1 Pc

YS

Yellow sticker

RS

Red sticker

GS

Green sticker

WS

White sticker

assembly instructions

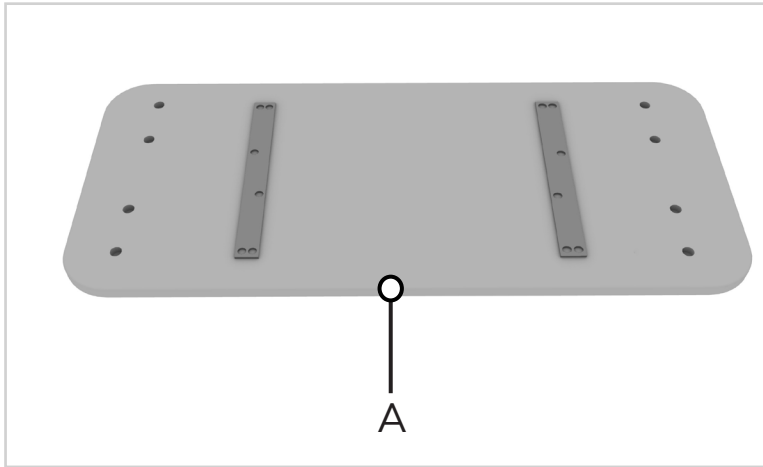
Friendly Tip: Take a deep breath going in. This may be a tricky part, but nothing too overwhelming. Just follow these steps to the T and the outcome will be worth it!



- ⓘ While assembling the product, tighten the bolts up to 50%. Once all parts are in place, only then fully tighten the bolts.

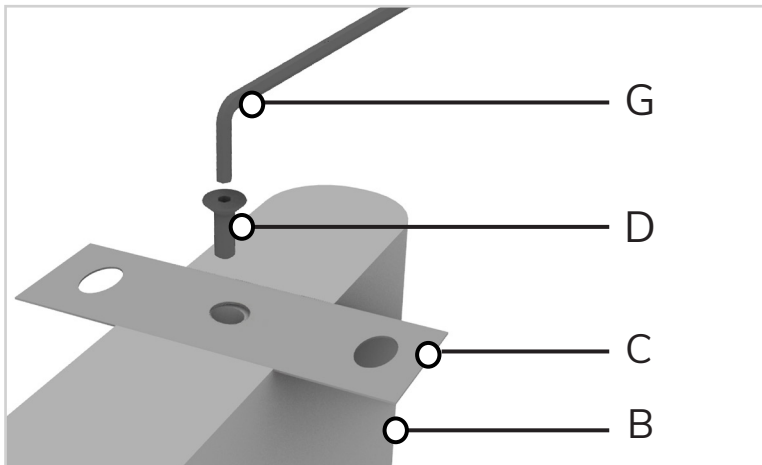
step 1:

Start by placing the tabletop (A) upside down on a flat surface.



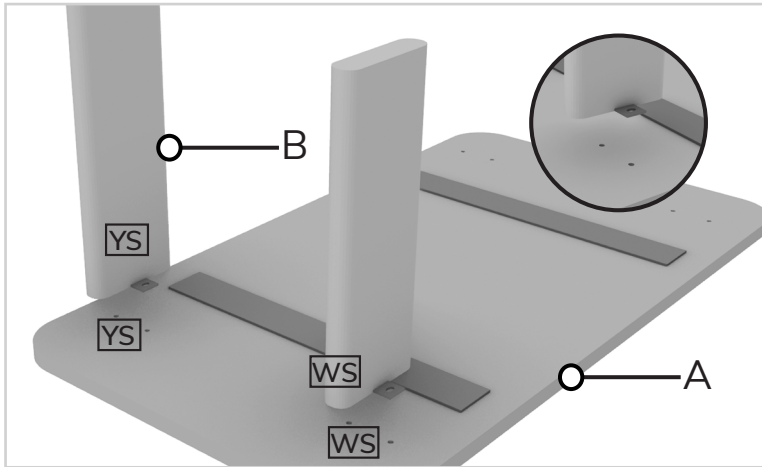
step 2:

Then, using the image below as a reference, take the table legs (B) and align the middle slots of metal plates (C) with the slots on the top of the legs (B). Fix it in place by inserting bolts (D) and tightening them using an allen key (G).



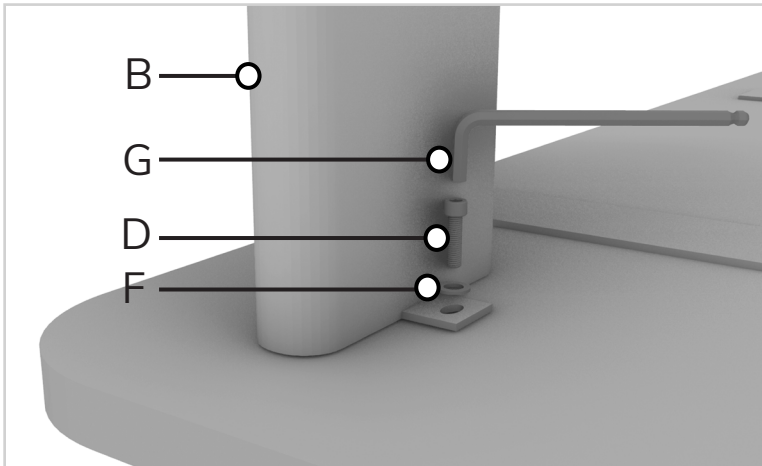
step 3:

Align the legs to the hole on the table top (A) as the reference image shows below.



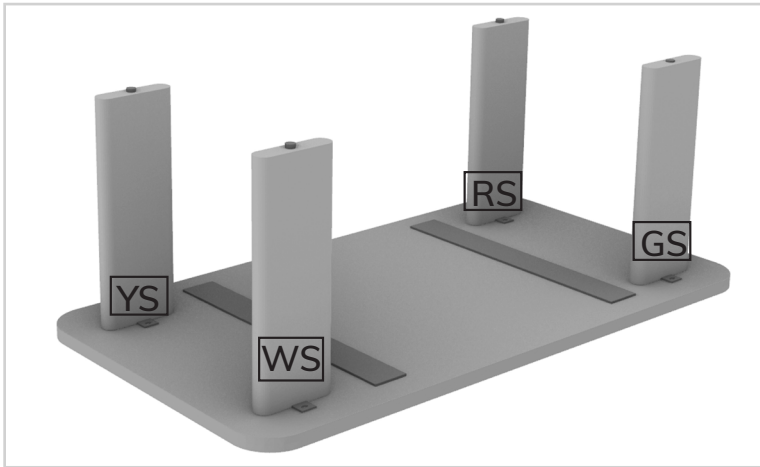
step 4:

Attach one of the legs (B) in place by inserting plain washer (F) and bolts (D) in the given slots. Tighten the bolts up to 50% using allen key (G).



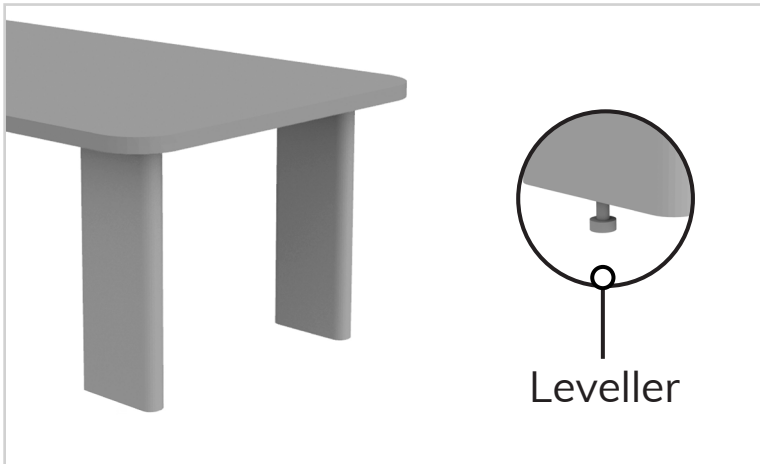
step 5:

Repeat steps 3 & 4 with the remaining legs. Ensure that the legs are placed horizontally to the table and the stickers on the legs match those on top & then tighten all the bolts 100%.



step 6:

Turn it into an upright position and If required, adjust the levellers according to the floor.





Voila! Your table is now assembled and secure!

you've
got
a home
with us