






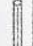
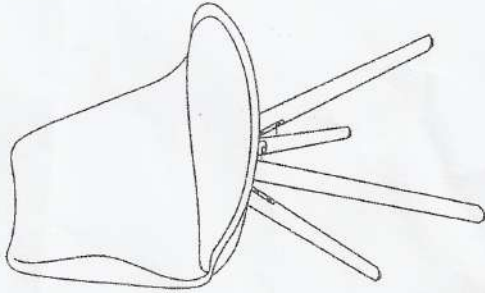



REV


A		x4
B		M6*20mm x4
C		M6*40mm x8
D		x4
E		x8
F		6# x8
G		6# x1
H		5# x1


Finish



Use of power tool will invalidate your claim







A x4

C x8 E x8 F x8 G x8 H x1

B x4
D x4
H x1