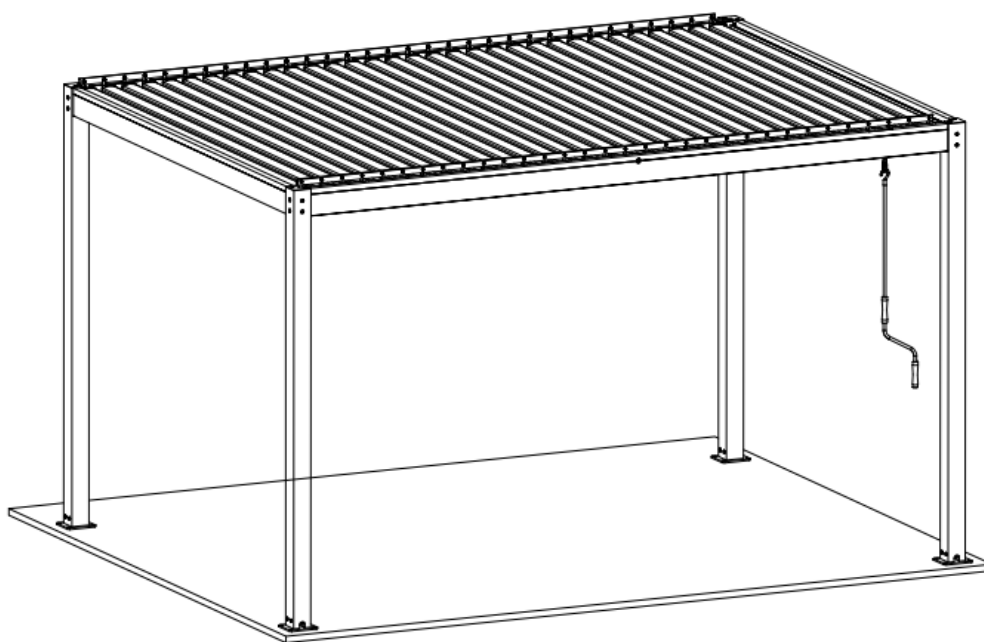




HARBOUR
L I F E S T Y L E

Mounting and User Instructions for PergoSTET

Size: 300x300cm/400x400cm/300x400cm



www.harbourlifestyle.co.uk

If you have any questions or require additional support, please contact the team at customerservices@harbourlifestyle.co.uk. Alternatively you can contact us via telephone on **01223 626006**.

Content

Tools and man force	2-3
Parts List.....	4-7
Product Description.....	8
Safety Instruction.....	8-9
Mounting.....	10-18
Dismounting.....	19
Storage.....	19
Disposal.....	19



Attention:

Read this instruction manual carefully and completely before mounting and usage. Keep this manual for future reference.

Dear Customer,

Congratulations and thank you for choosing to buy the Starry Pergola from our company. To enjoy this product for a long time and for your own and the safety of other people, please follow the assembly instructions.

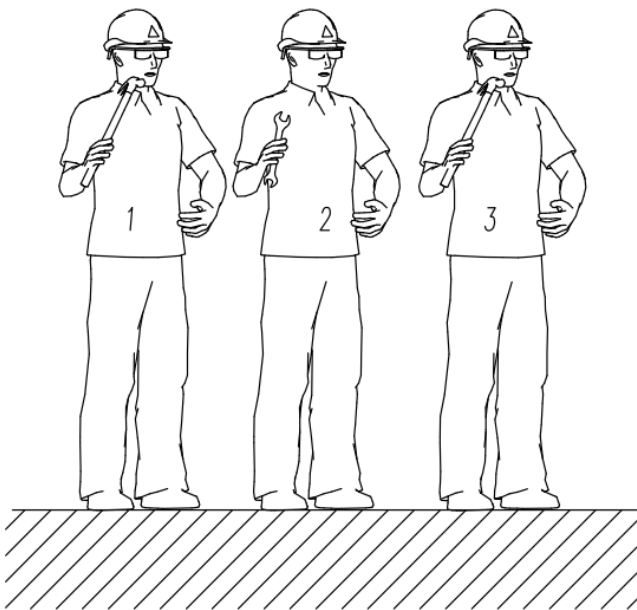
Before you start the assembly process and then using the Pergola, we suggest you are best to get familiar with this product. Make sure all parts listed up in below packing lists are delivered and intact. If you find that there are parts missing or damaged please do not install the pergola but contact us immediately. Do not start the assembly process if parts are missing or defective.



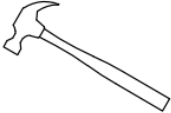
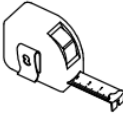


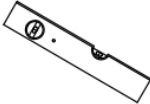

Tools and man force

Recommended: 2 or 3 people

Additional tools :

- | | | |
|----------------|--------------------------------|-----------------|
| 1.Ladder | 2. M10/13 open wrench supplied | 3.Rubber mallet |
| 4.Tape measure | 5. 5mm hexagon wrench supplied | 6.Pencil |
| 7.Spirit level | 8.Electric drill | |







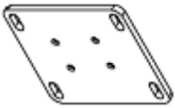
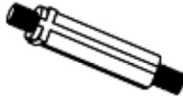





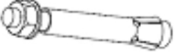
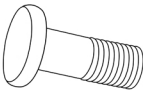
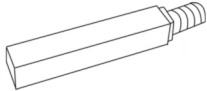
 <p>>1.5m x 2 13mm</p>	 <p>16mm</p>	
		
	 <p>Electric drill</p>	

Parts List

Please check all parts against the parts list before commencing construction of pergola.













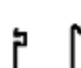









SIZE:300X300CM PARTS LIST:

300X300CM Hardware and other parts:

①	 x 16	⑧	 x 46
②	 x 1	⑨	 x 46
③	 x 4	⑩	 x 2
④	 x 4	⑪	 x 4
⑤	 x 2	⑫	 x 1
⑥	 x 8	⑬	 x 16
⑦	 x 46	⑭	 x 1

① M8x20 Countersunk screw	⑧ DAP25 Plastic spacer
② Hank crank	⑨ M8 Locking nut
③ Base plate	⑩ Strength pivot pin
④ Post up plate	⑪ Gutter connector
⑤ M10 screw cap	⑫ Connector
⑥ M8x20 HEX machine bolt	⑬ Expansion bolt
⑦ M8x20 HEX half tooth bolt	⑭ Drive shaft





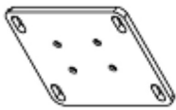
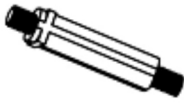






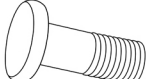

300X300CM Aluminum profile parts list:

Ⓐ			x1
Ⓑ			x1
Ⓒ			x2
Ⓓ1			x2
Ⓓ2			x2
Ⓔ			x2
Ⓕ			x2
Ⓖ			x21
Ⓗ			x1
Ⓘ			x1
Ⓙ			x2

Ⓐ Beam with pivot bushing	Ⓔ Long gutter
Ⓑ Beam with gear and pivot bushing	Ⓒ Common louver
Ⓒ Beam	Ⓗ Centre louver
Ⓓ1 Post+post connector	Ⓘ Driving louver
Ⓓ2 Post+post connector	Ⓙ Control rod
Ⓔ Short gutter	










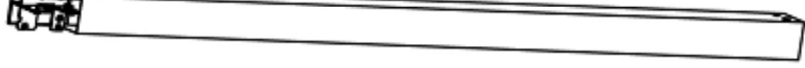
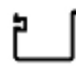

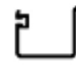






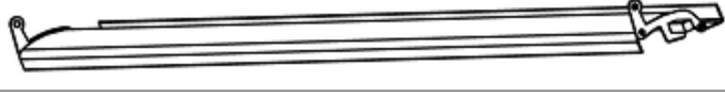


SIZE:300X400CM / 400X400CM PARTS LIST:

300X400CM / 400X400CM Hardware and other parts:

①	 x 16	⑧	 x 64
②	 x 1	⑨	 x 64
③	 x 4	⑩	 x 2
④	 x 4	⑪	 x 4
⑤	 x 2	⑫	 x 1
⑥	 x 8	⑬	 x 16
⑦	 x 64	⑭	 x 1

① M8x20 Countersunk screw	⑧ DAP25 Plastic spacer
② Hank crank	⑨ M8 Locking nut
③ Base plate	⑩ Strength pivot pin
④ Post up plate	⑪ Gutter connector
⑤ M10 screw cap	⑫ Connector
⑥ M8x20 HEX machine bolt	⑬ Expansion bolt
⑦ M8x20 HEX half tooth bolt	⑭ Drive shaft

300X400CM / 400X400CM Aluminum profile parts list:

Ⓐ			x1
Ⓑ			x1
Ⓒ			x2
Ⓓ1			x2
Ⓓ2			x2
Ⓔ			x2
Ⓕ			x2
Ⓖ			x30
Ⓗ			x1
Ⓘ			x1
Ⓙ			x2

Ⓐ Beam with pivot bushing	Ⓔ Long gutter
Ⓑ Beam with gear and pivot bushing	Ⓖ Common louver
Ⓒ Beam	Ⓗ Centre louver
Ⓓ1 Post+post connector	Ⓘ Driving louver
Ⓓ2 Post+post connector	Ⓙ Control rod
Ⓔ Short gutter	

Product Description

Make the most of your outdoor living area with your pergola. Relax and enjoy the outdoors while being protected from sun. The coated aluminum frame pergola is perfect for shading your garden, deck, courtyard and swimming pool.

Important Safety Instructions

Warning: For the safety of you and other persons it is important to follow below instructions and obey warnings.

Symbol explanation



This warning triangle calls attention to hazards that that can lead to death or to severe injuries or which are important for the functioning of the Pergola.



This sign identifies important notes.

Safety instructions



To install this pergola technical knowledge is necessary. Do not mount this pergola yourself but contact a professional workman for help if

- ◆ you are unsure if the pergola can be mounted on the place you chose for installation.
- ◆ you do not understand the instruction manual or parts of it.
- ◆ you do not have necessary tools available.
- ◆ you do not have necessary technical knowledge



A minimum of three healthy adults are required to move and install the pergola as the product is big and heavy. Do not try to install the pergola alone. If the pergola falls, it could cause serious injuries and damages! Contact an authorized assembler for help.



Do not install the pergola when you find damage parts are that parts are missing. Contact your dealer.



Keep children and pets out of the working area during assembly and adjustments.



This product and its fixing parts are only suitable for installation on a plain cement wall or stable brickwork. If the wall/brickwork shows cracks you have to consult a professional.



Nobody is allowed to change the products' design and structure without the permission of manufacture or authorized deputy.



Please make sure that your hands are clean at the time of the assembly; otherwise you may soil frame.



Nobody is allowed to climb onto the Pergola. Hanging anything on the Pergola is forbidden.

Sheeting was used to protect the paint. This must be removed afterwards.

This structure is a non-permanent structure and the warranty does not cover damage incurred under extreme weather conditions including heavy rain, high winds or if exposed to high heat from heaters or BBQs.






Safety precautions should always be followed when assembling and using this product to reduce the risk of personal injury and damage to equipment. Please read all instructions before assembly and use. Never leave children unattended around/under this pergola. Do not attempt to assemble or use the pergola in moderate or heavy wind conditions. Always **keep the pergola louver open** and secure it during heavy winds or extreme weather conditions to avoid damage to the pergola or personal injury.

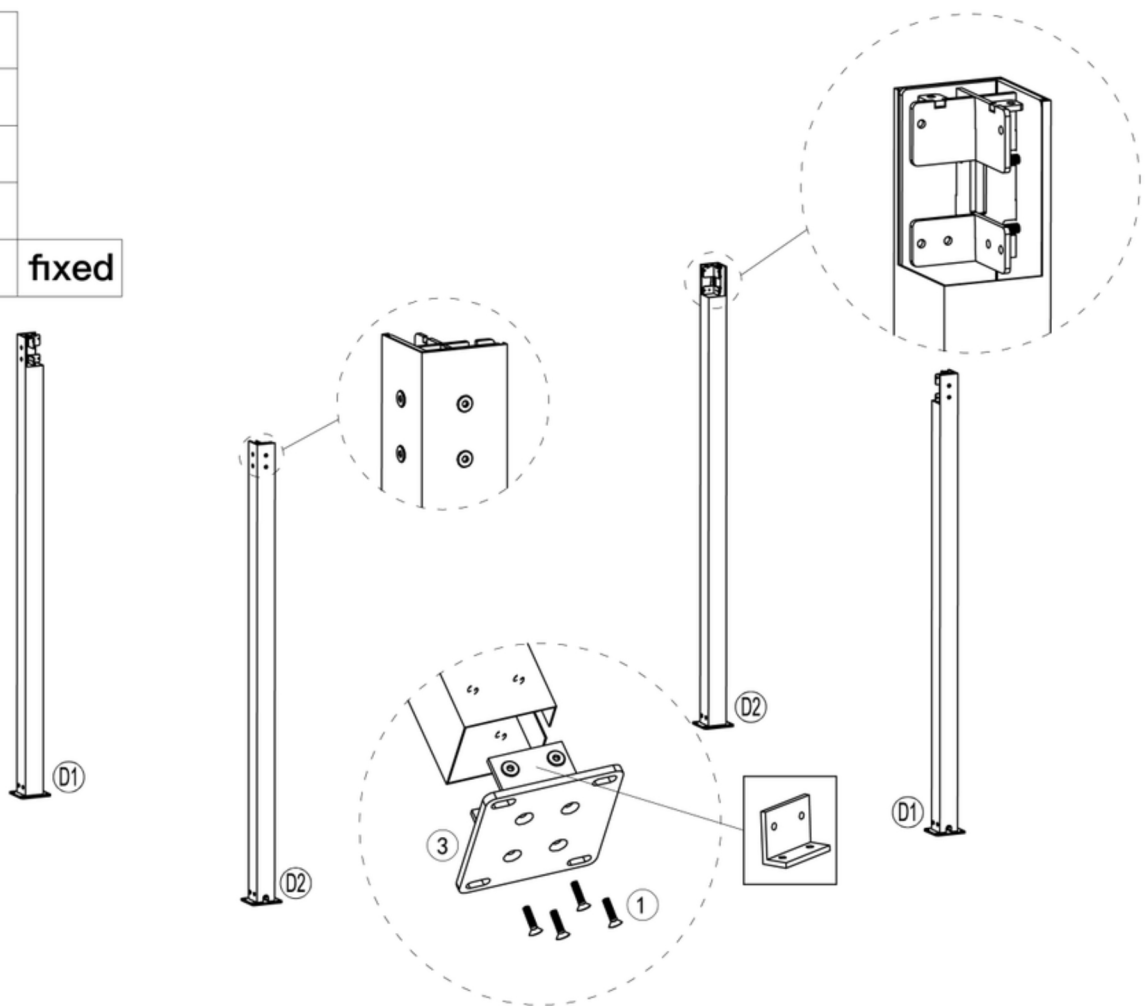
Mounting and usage

Step 1:

Install ③ base plate on D1 (post) 、 D2 (post) ;

Four posts installed as photo;

① x 16		
③ x 4		
ⓓ1 x 2		
ⓓ2 x 2		
⑦ x 20		fixed







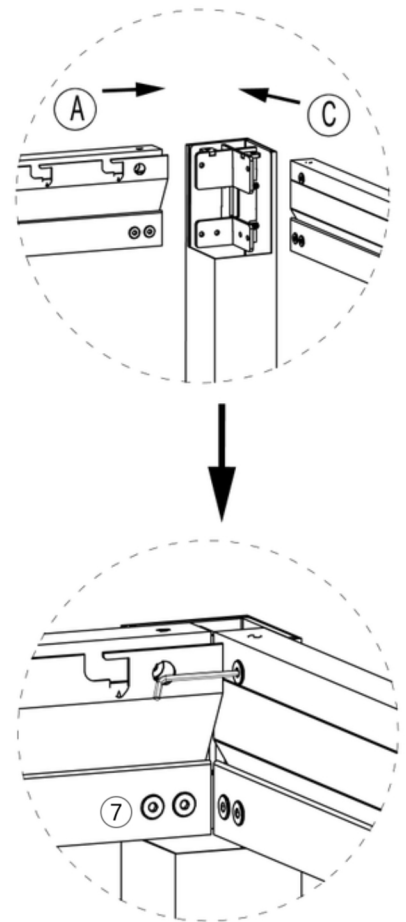
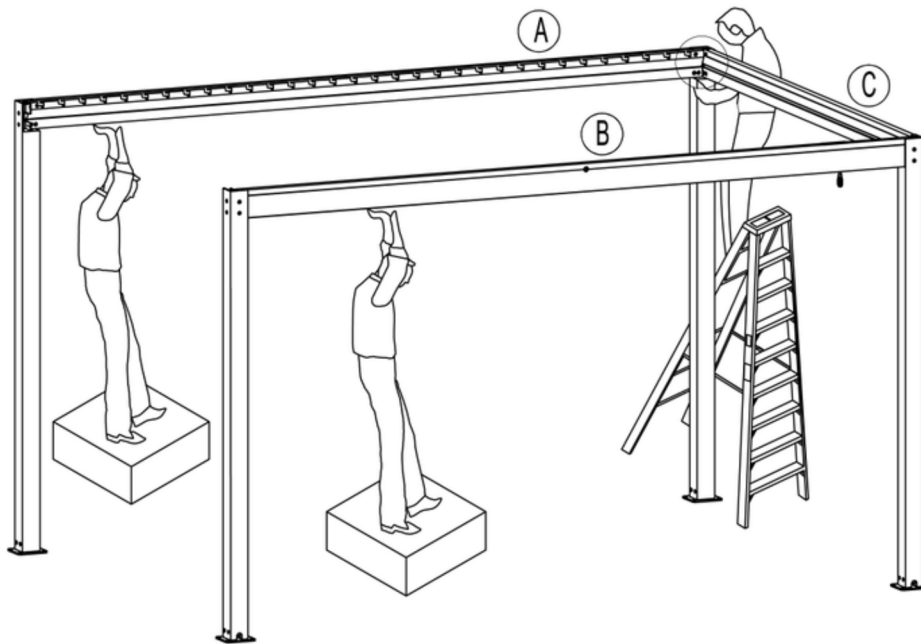
Step 2:

Install **Ⓐ**、**Ⓑ**、**Ⓒ** beams as photo;

Screw out **⑦** first then fix the corresponding position;

IMPORTANT: DO NOT fully tighten the beam to leg screws as these need to be loose to accommodate blind assembly later on.



⑦ x20		fixed
Ⓐ x1	Ⓑ x1	Ⓒ x1
		

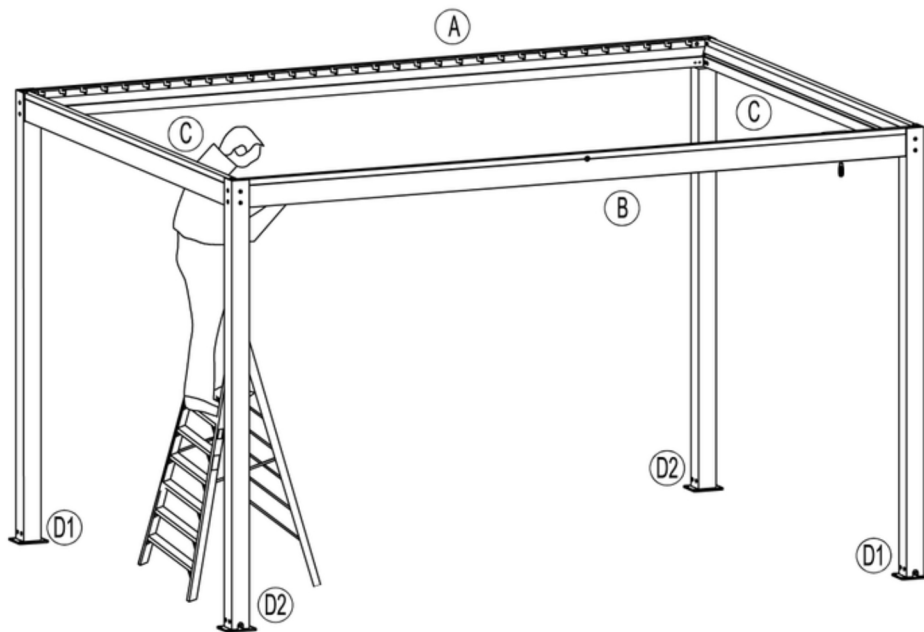


Step 3:

Install © beam as photo;

Screw out ⑦ first then fix the corresponding position;



⑦ x 12		fixed
© x 1		

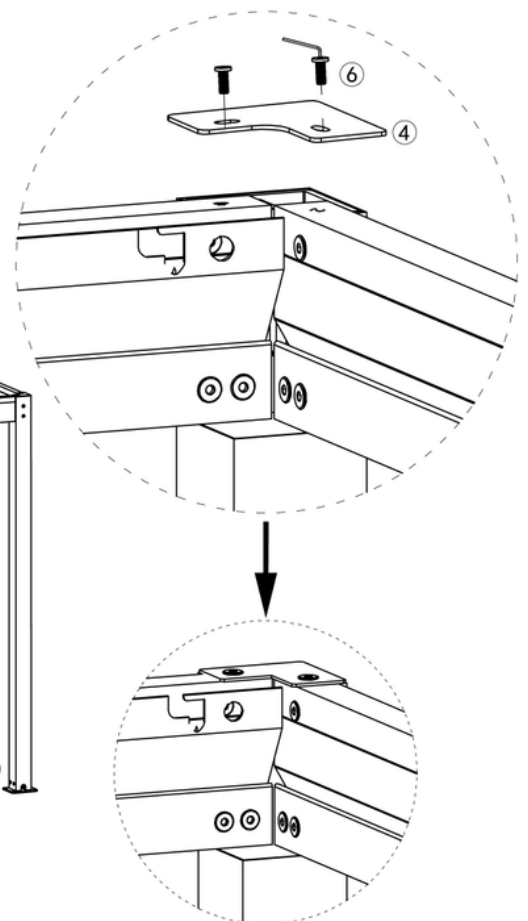
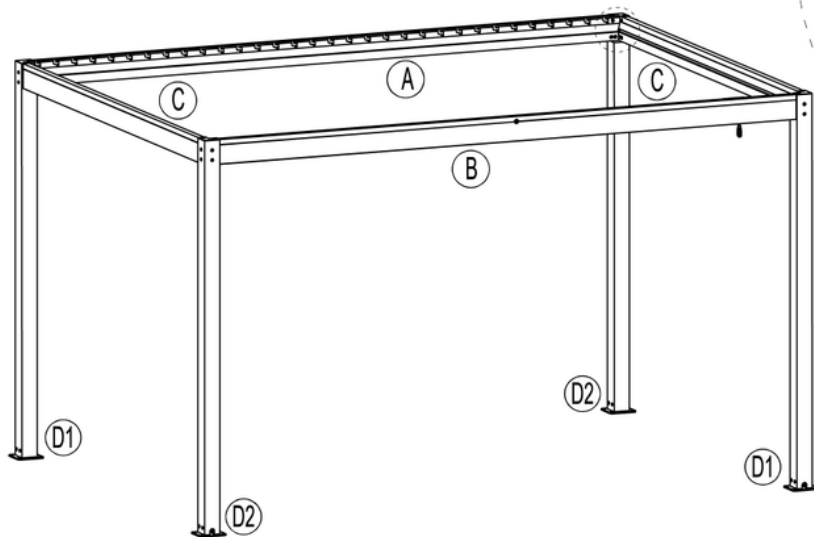


Step 4:

Install ④ post up plate as photo;

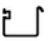
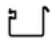
Fix ⑥ in the corresponding position ;

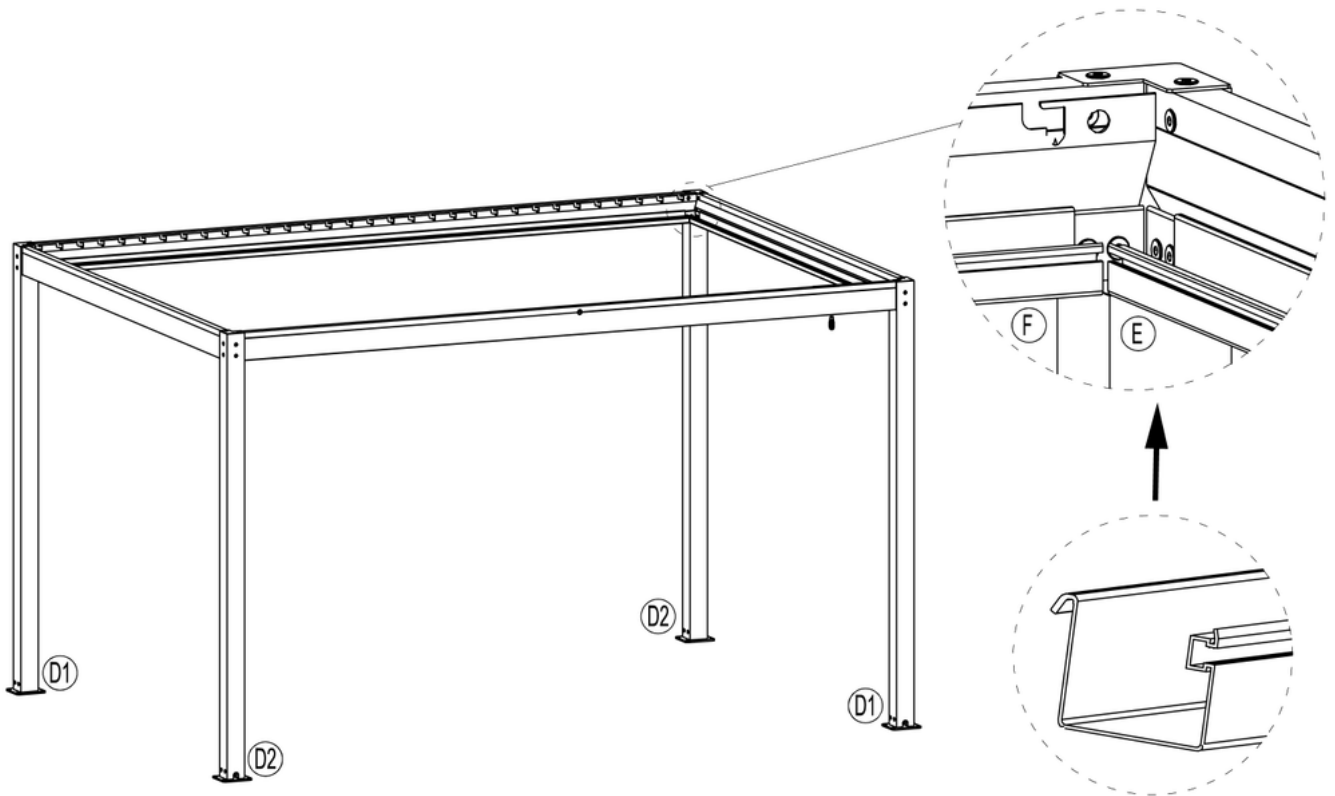
⑥ x8	
④ x4	



Step 5:

Install ⑤ 、 ⑥ gutter as photo;



⑤ x2	⑥ x2
	

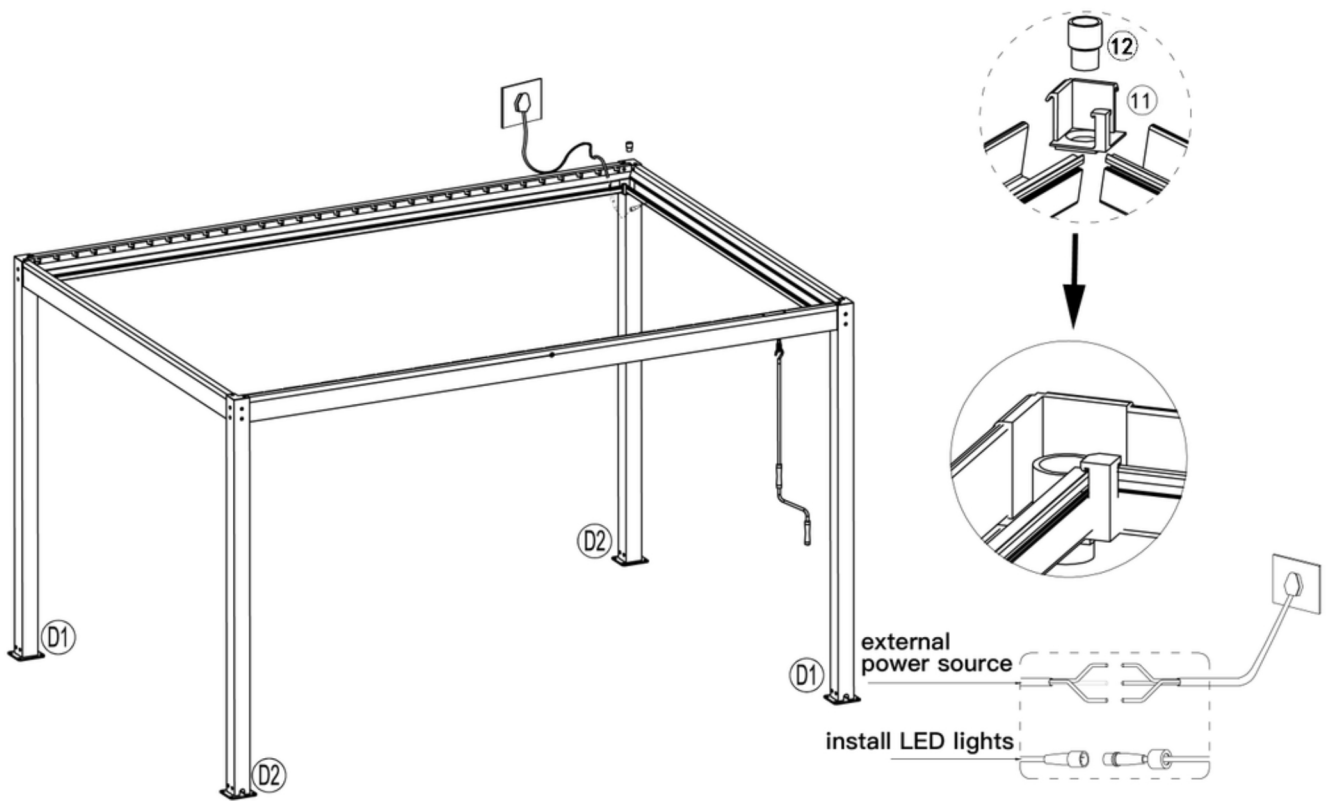


Step 6:

Install the ⑪ gutter connector for gutters;

Install ⑫ connector for the gutter connector which place the wires;

⑪ x4	⑫ x1
	



Step 7:

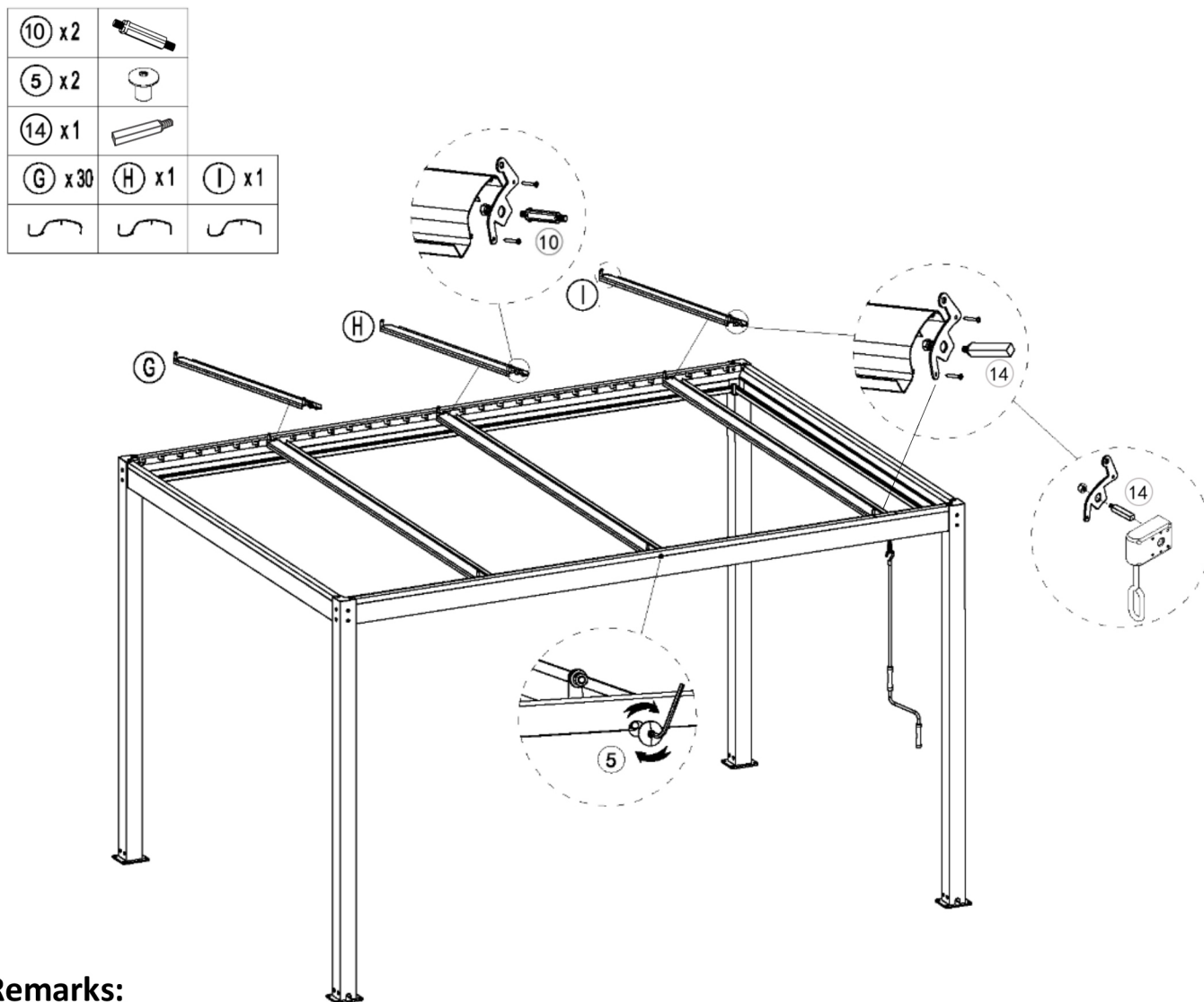
Install ⑥、⑨、⑪ louvers as photo;

Place ⑨ centre louver with ⑩ strength pivot pin and secure & tighten both side ⑤ M10 screw cap ;

Place ⑪ driving louver in line with the gear box with ⑭ drive shaft;

The square fixing at the end of driving louver goes into the gear box;

Fit all ⑥ common louver into the remaining slots in the beams;



Remarks:





The 12th louver fix with ⑤ M10 screw cap (size 300x300cm)

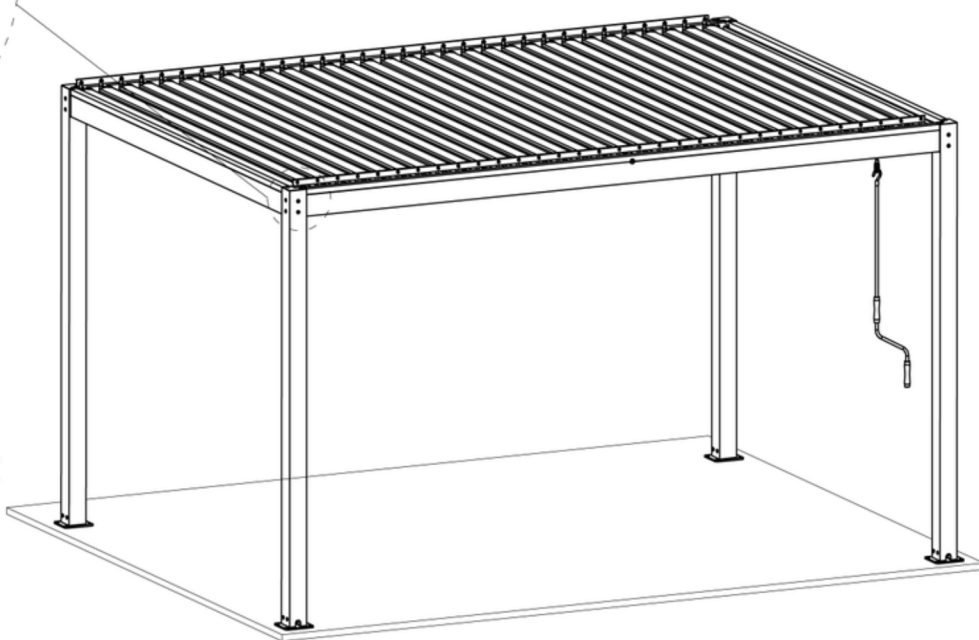
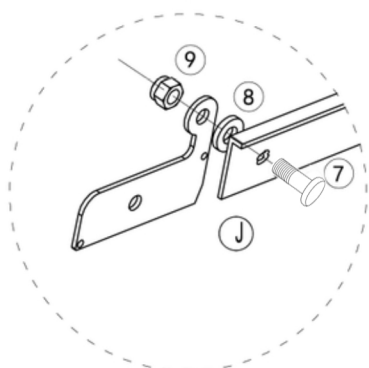
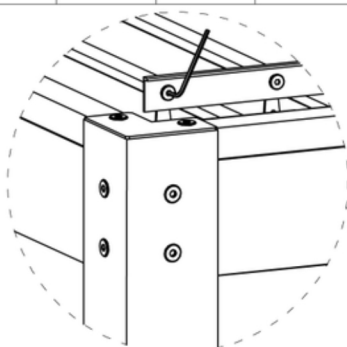
The 16th louver fix with ⑤ M10 screw cap (size 300x400cm/400x400cm)

Step 8:

Install ⑦、⑧、⑨ on ① control rod as following photo;

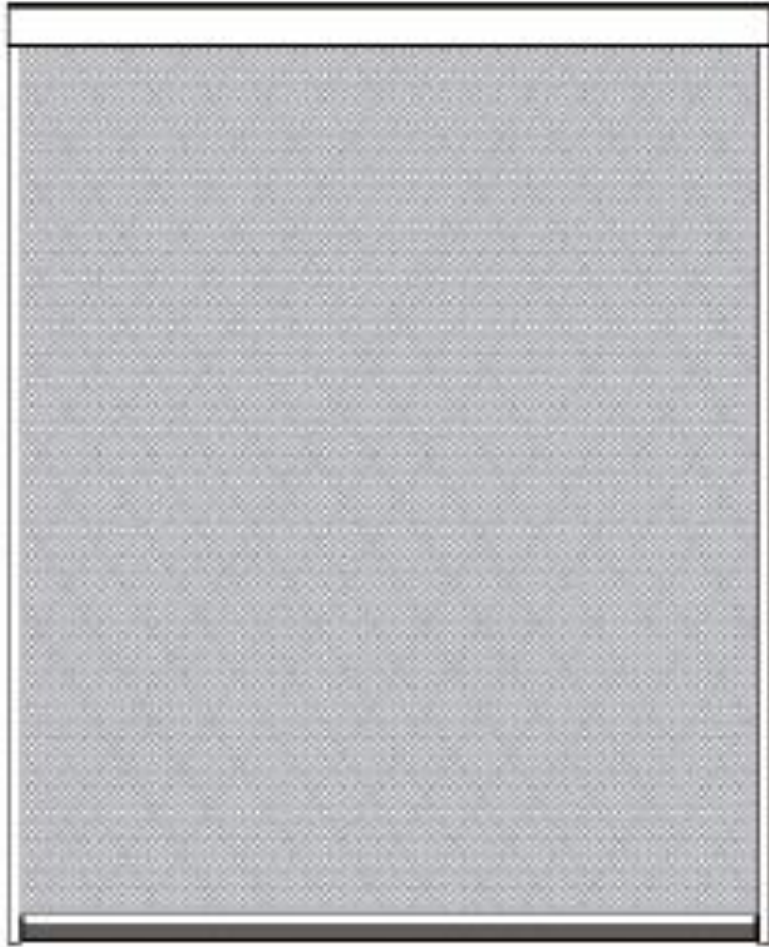
Note: Do not over tighten, finger tight is adequate. Over tightening will prevent louvers from moving.

⑦ x64	⑧ x64	⑨ x64	① x2
			

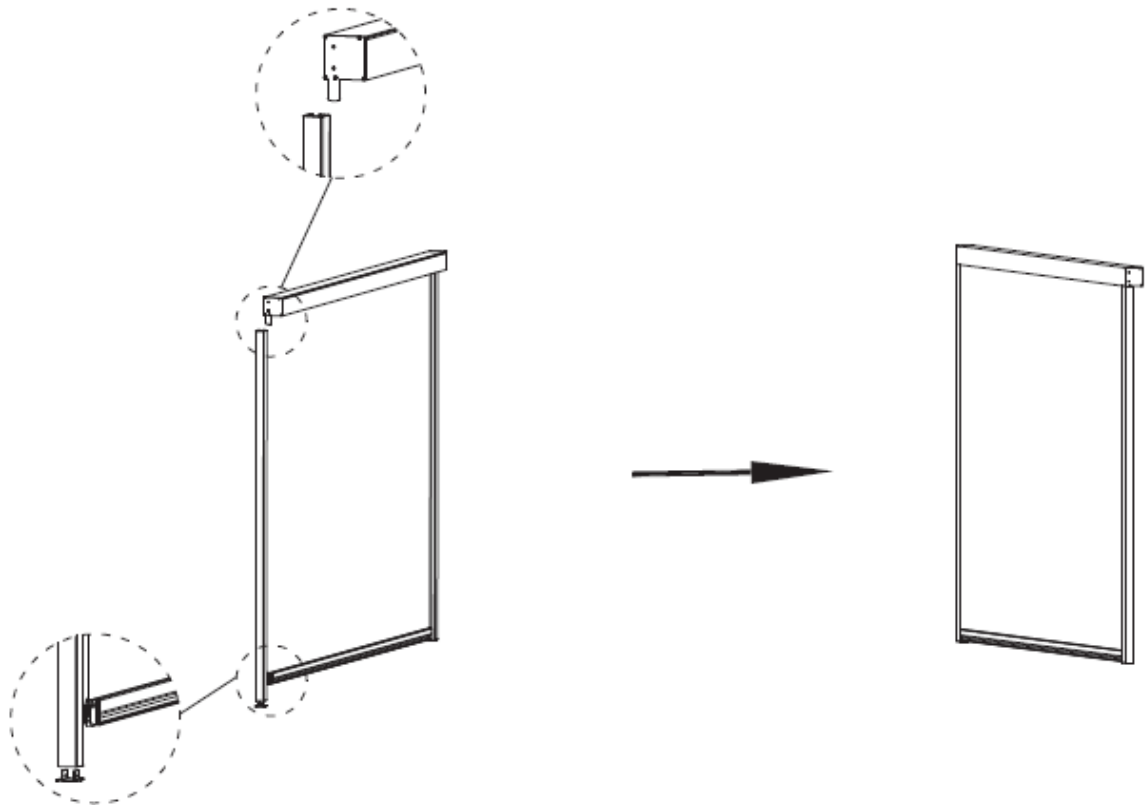


Installation of Manual Side screens

300 x250 / 400x250



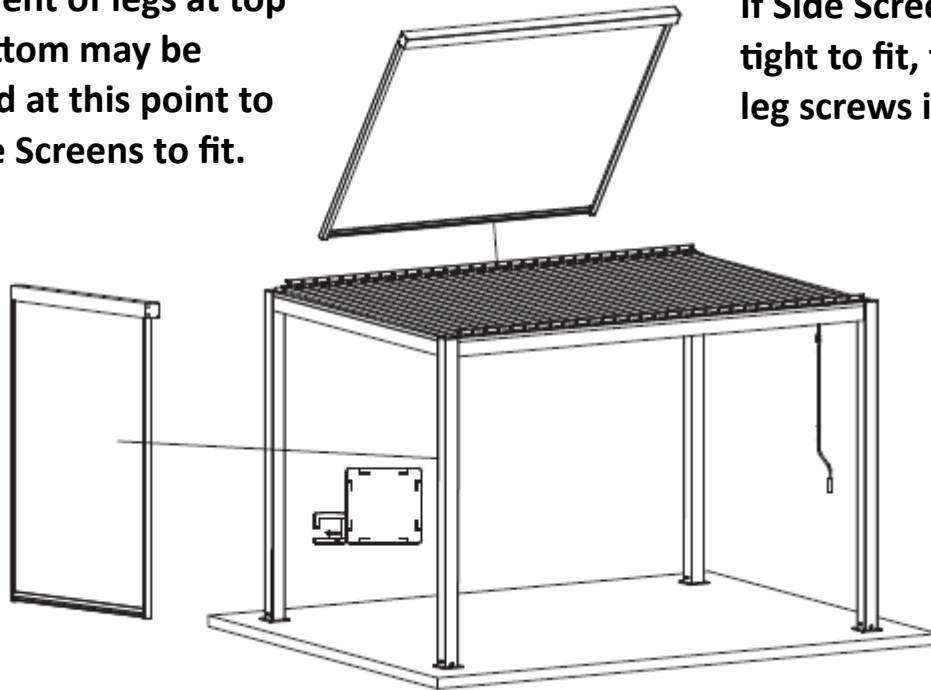
Step 1: Insert the two rails under the screen box at both sides and lift it up like the picture and



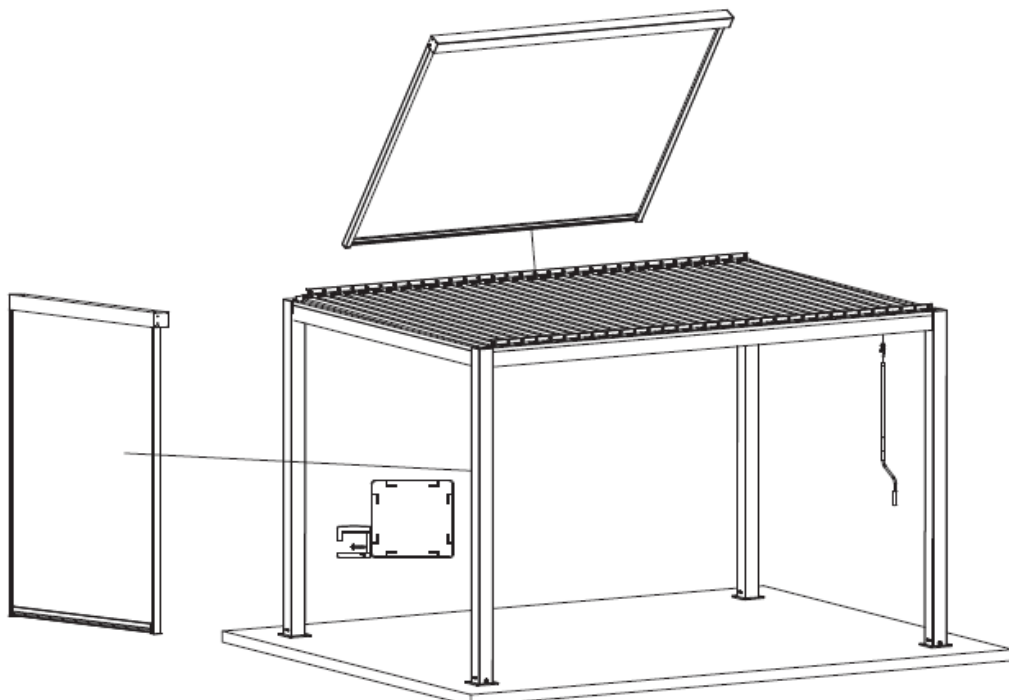
Step 2 : Place the side screen under the beam of assembly pergola. The rails must be aligned with the outside posts

Movement of legs at top and bottom may be required at this point to get Side Screens to fit.

If Side Screens are too tight to fit, further loosen leg screws in Step 2.



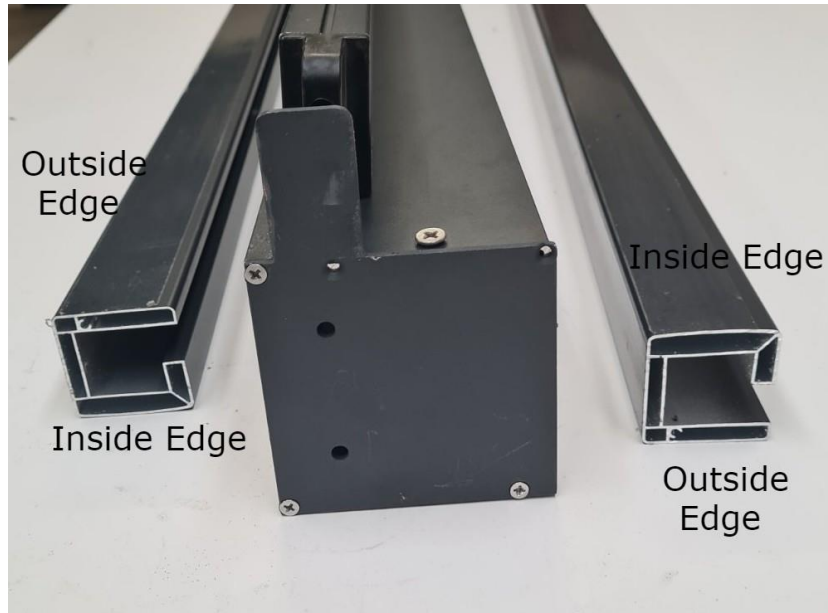
Step 3: Attached each rail with three screws and fix them with posts to complete the installation.



Pergola Blind Installation

Documentation: - You will require 2 – 3 people to install the side blinds.

1. Remove all plastic lamination from the side posts and blinds



2. Drill 3 holes from the top of the blind post at a distance of 300mm, 1520mm & 1835mm. Do this on both the blind posts. The post is 2137mm long.



3. Put the blind upside down and slot in the side post. When aligning the side post, make sure that the L-shaped edge of the post is positioned towards the inside of the pergola and the straight edge is positioned on the outside. If this is not positioned correctly then the L-shaped edge will push onto the blind once installed.



4. Flip the blind straight and align with the outside beam of the pergola. In order to have the blind case flush against the top of the pergola beam, put some packing under both of the side posts.



5. Once the blind box is flush against the top beam and in line with the outside frame, you can screw in the top most screw on both sides. The whole weight of the pergola rests on the 2 side posts. There is no fixing required on the top to the pergola beam.
6. Continue on screwing the rest of the screws and making sure of the alignment.



7. Once done, check if the blinds roll up and down smoothly.



8. Lastly remove the packing from under the side posts.

Step 9:

Tighten the beam to leg screws that were left deliberately loose during Step 2

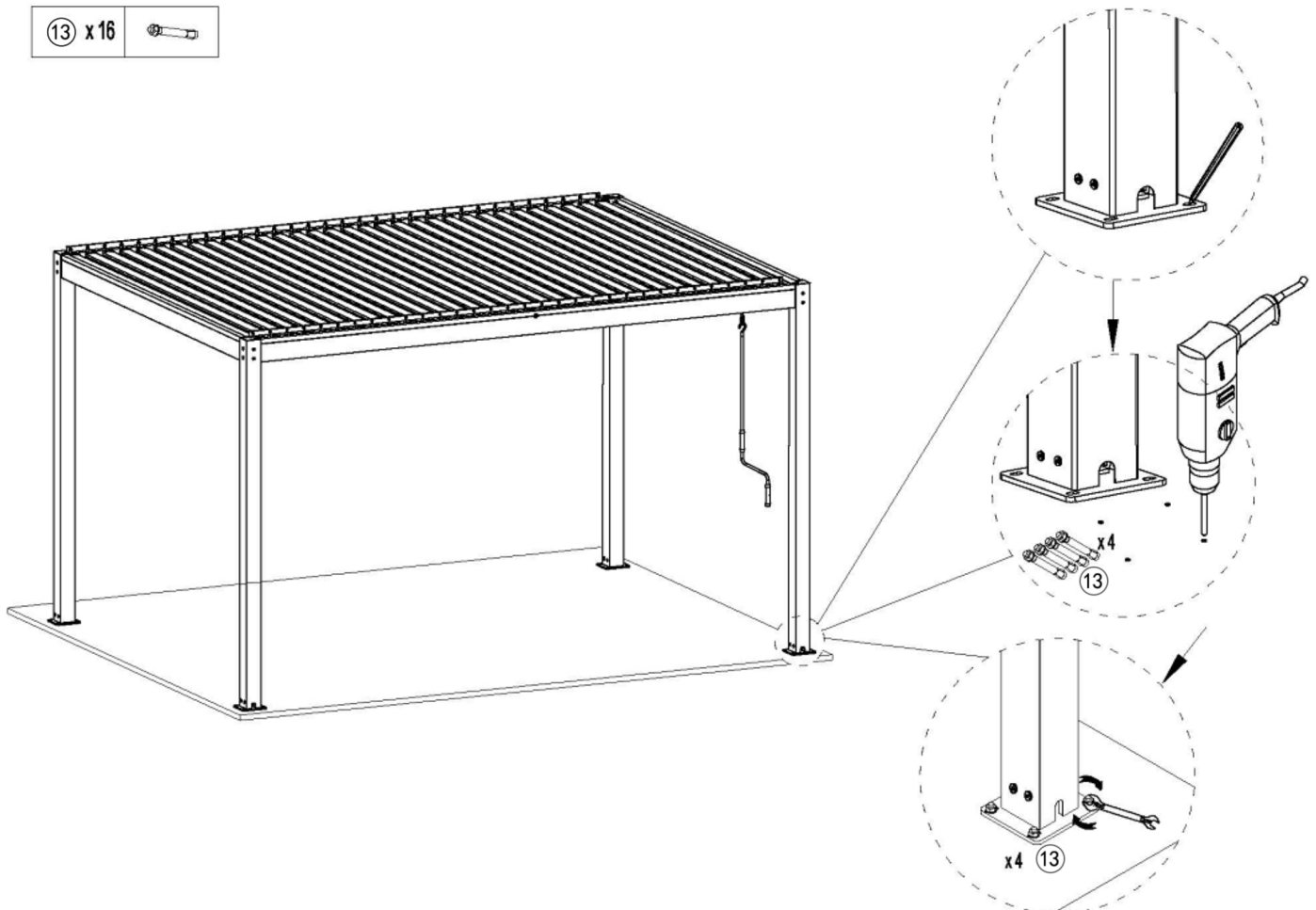
Make holes for expansion bolts X 4 per post;

Note: Drill size required is 12mm;

Insert bolts : Use a hammer drill if required;

Place posts over bolts;

Tighten nuts;



WARNING: Ensure louvers are open during periods of mild to strong winds.

Dismounting

If you want to disassemble the Pergola, please follow the following process.

Attention! At least two people are needed for this step.

- ◆ Keep the Pergola louvers open before you begin with dismounting. Bind the Louvers of the Pergola together to avoid unintended unfolding. This might cause damage and injury. You can use the protection band that was fixed on the Pergola when purchasing it.
- ◆ Follow the mounting instructions in reversed order to dismount the Pergola.
- ◆ Make sure that drilling holes in the wall will be sealed professional.
- ◆ **Attention! Safety hints and instructions have to be followed for dismounting as well.**

Storage

When you do not want to use the Pergola for a longer period of time it is recommended to take the Pergola out of the brackets and store it.

- ◆ Make sure that the frame is dry completely before storing.
- ◆ Store the Pergola at a dry and safe place that is not reachable for children.

Disposal

Do not dispose this Pergola with other household wastes. To prevent possible harm to the environment or human health from uncontrolled waste disposal, recycle it responsibly to promote the sustainable reuse of material resources. To return your used device, please use the return and collection systems or contact the retailer where the product was purchased. They can take this product for environmental safe recycling. Dispose packing materials according to local guidelines.