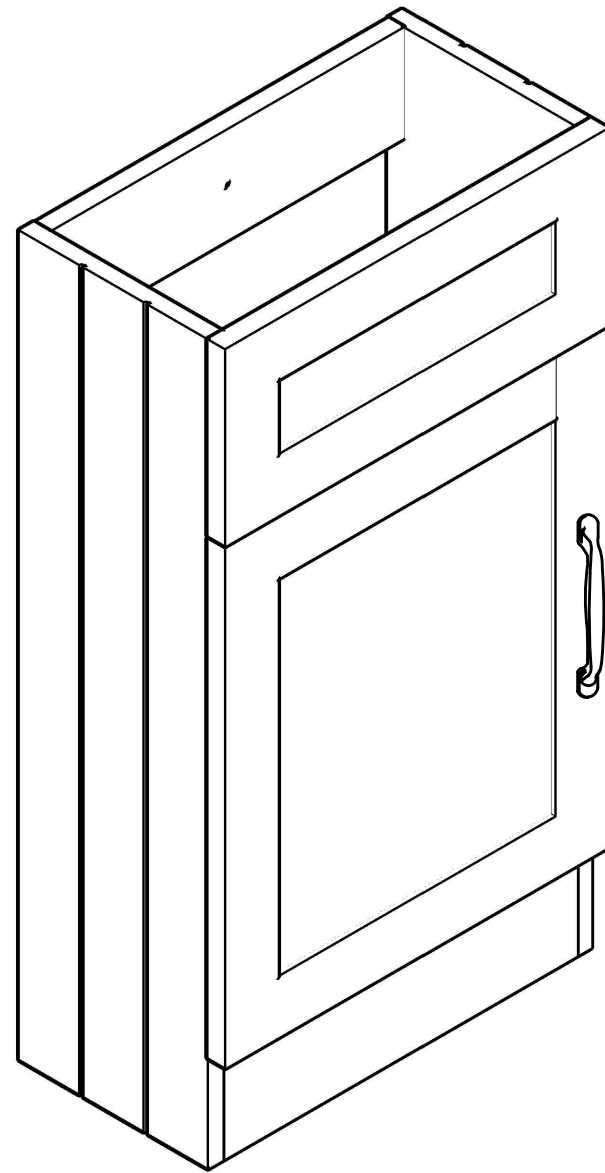
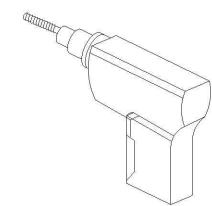


ASSEMBLY GUIDE

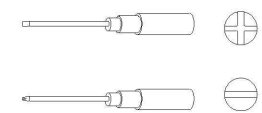
CWF400GE/CWF400WE/CWF400BE/CWF400GRN



Tools You Will Need



Power drill



Screwdriver



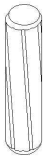
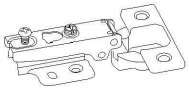

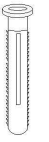

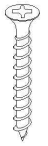
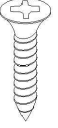
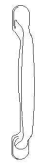
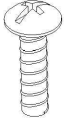


Pencil

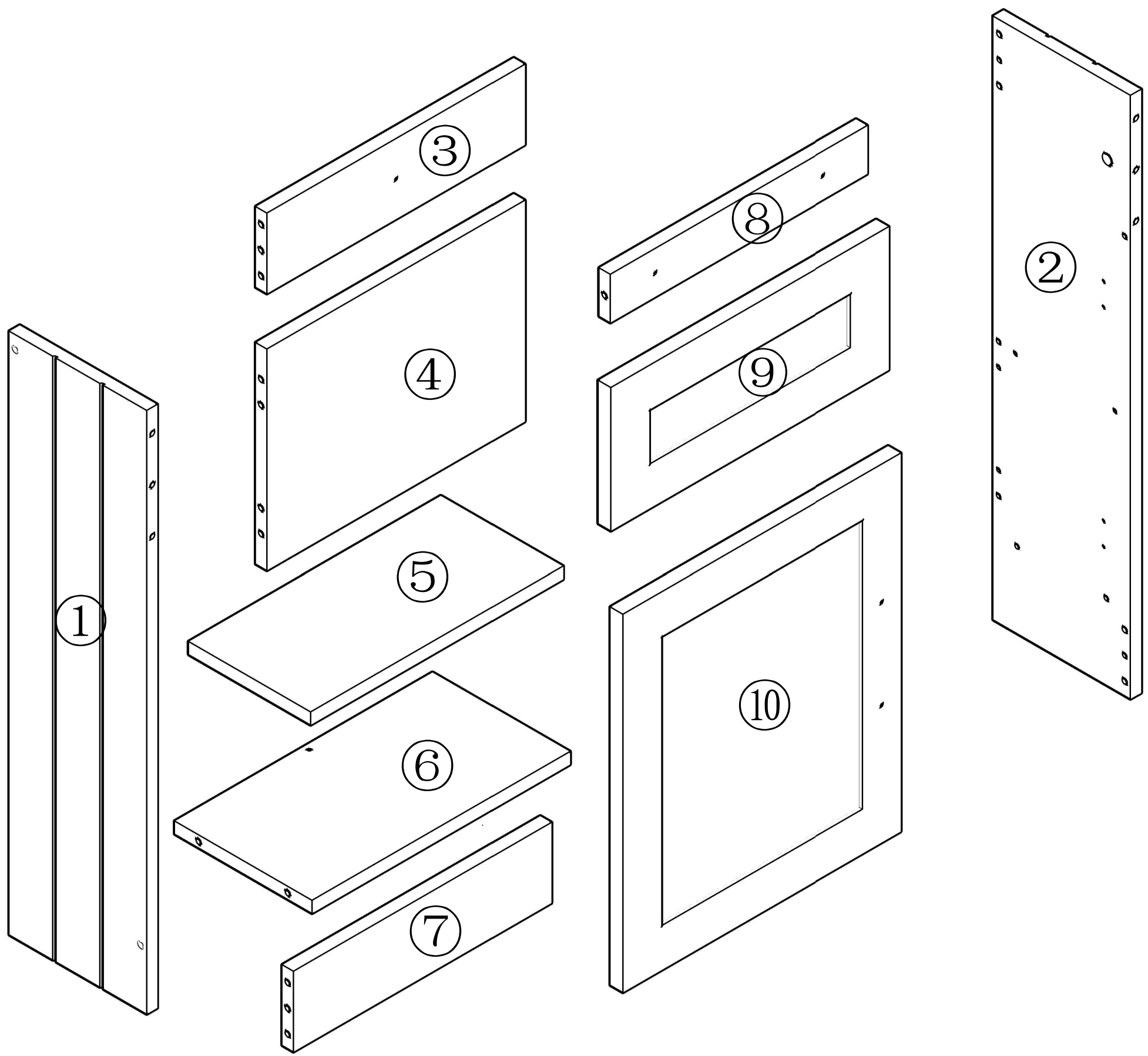


Glue

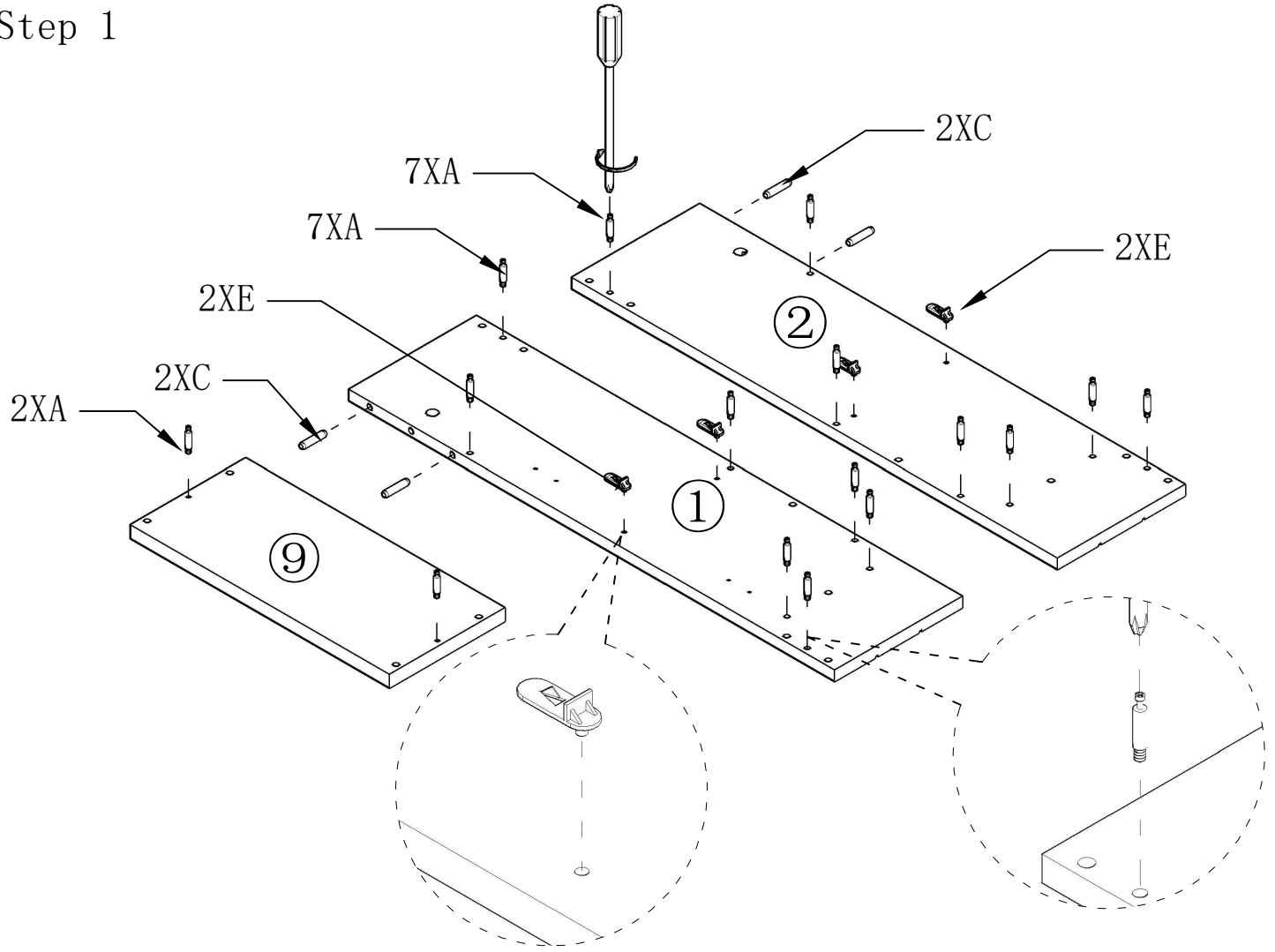
Parts List

A	B	C	D	E	F	G	H	I	J	K
										
16 X A	16 X B	16 X C	2 X D	4 X E	1 X F Ø10*40	1 X G Ø5*50	3 X H Ø4*30	12 X I Ø4*16	1 X J	2 X K Ø4*22

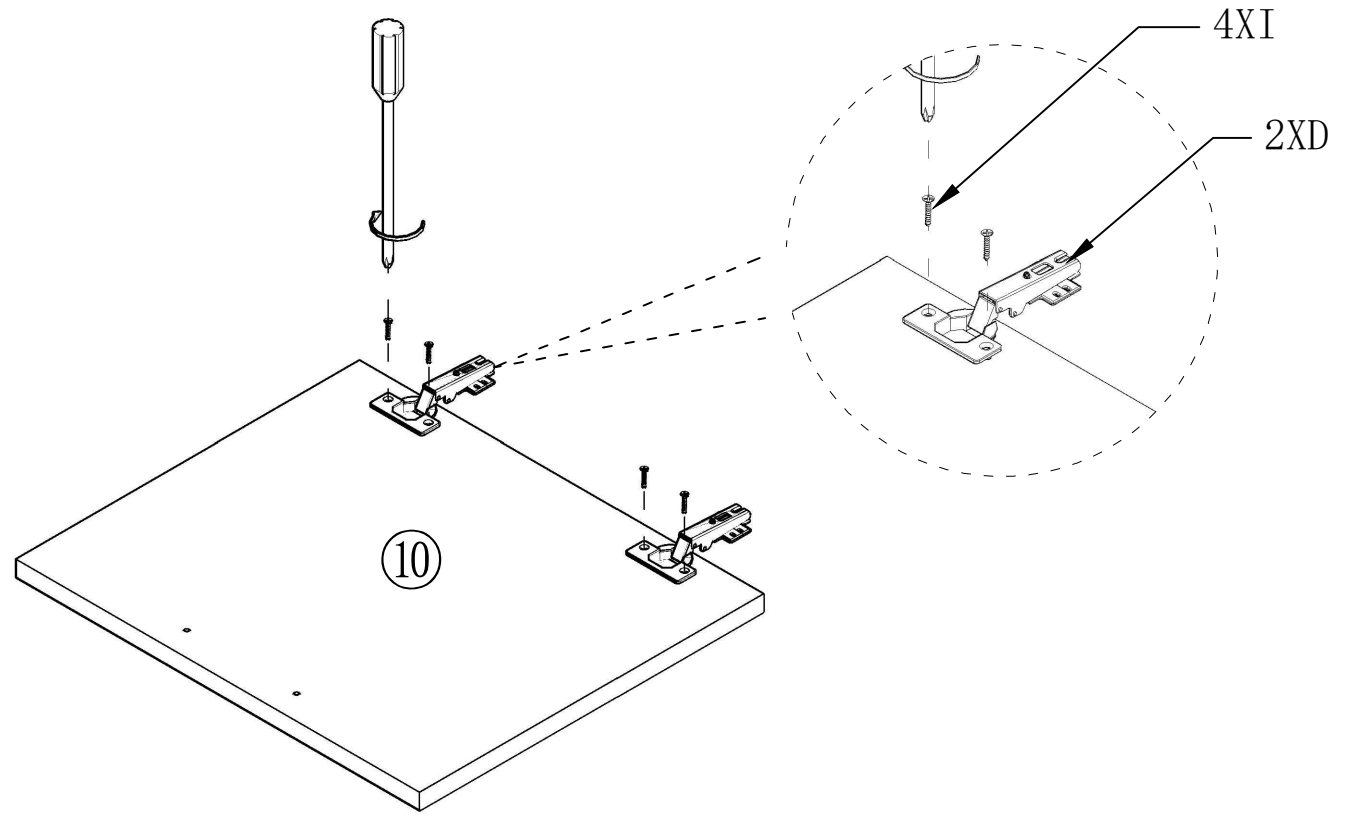
Replacement Parts



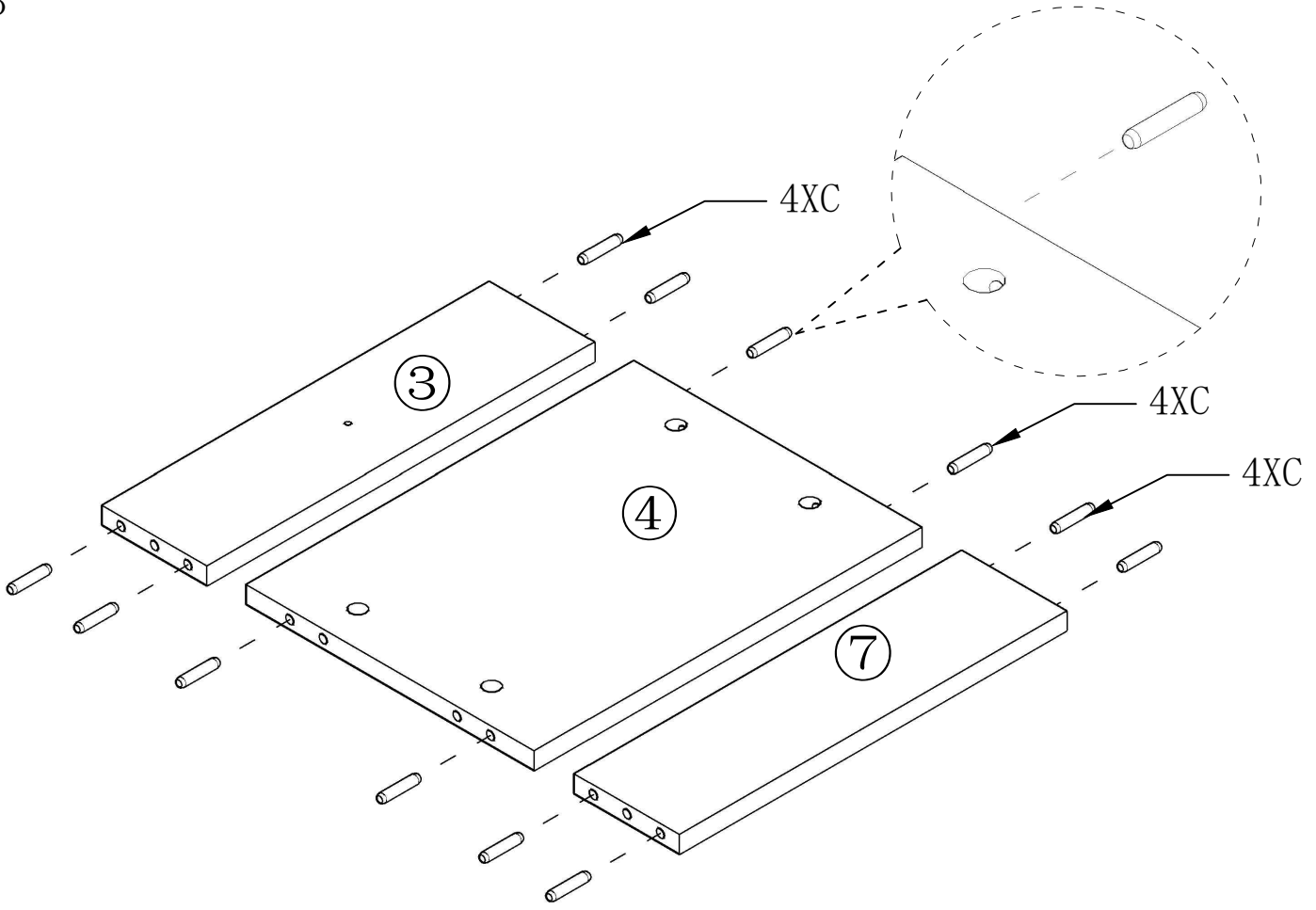
Step 1



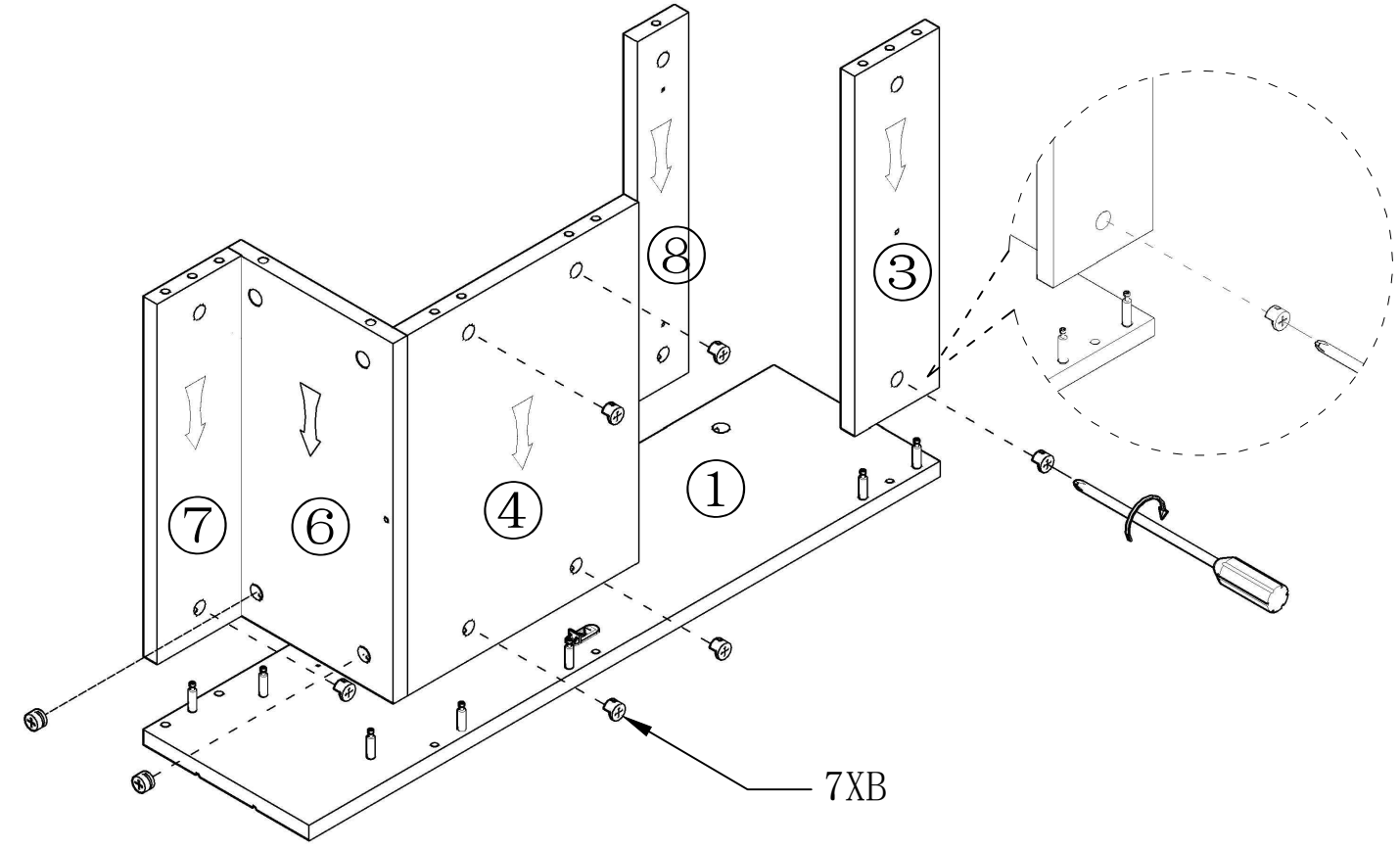
Step 2



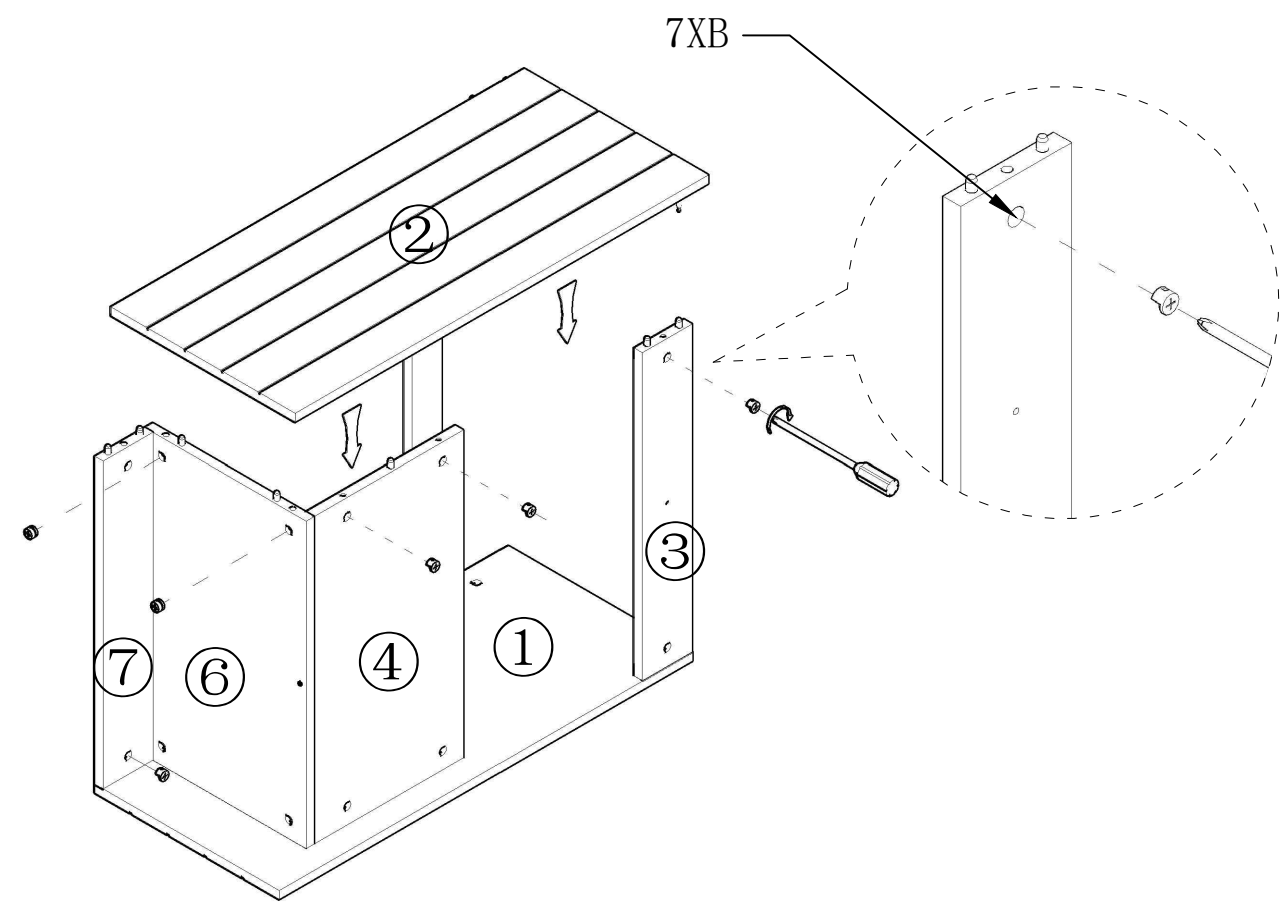
Step 3



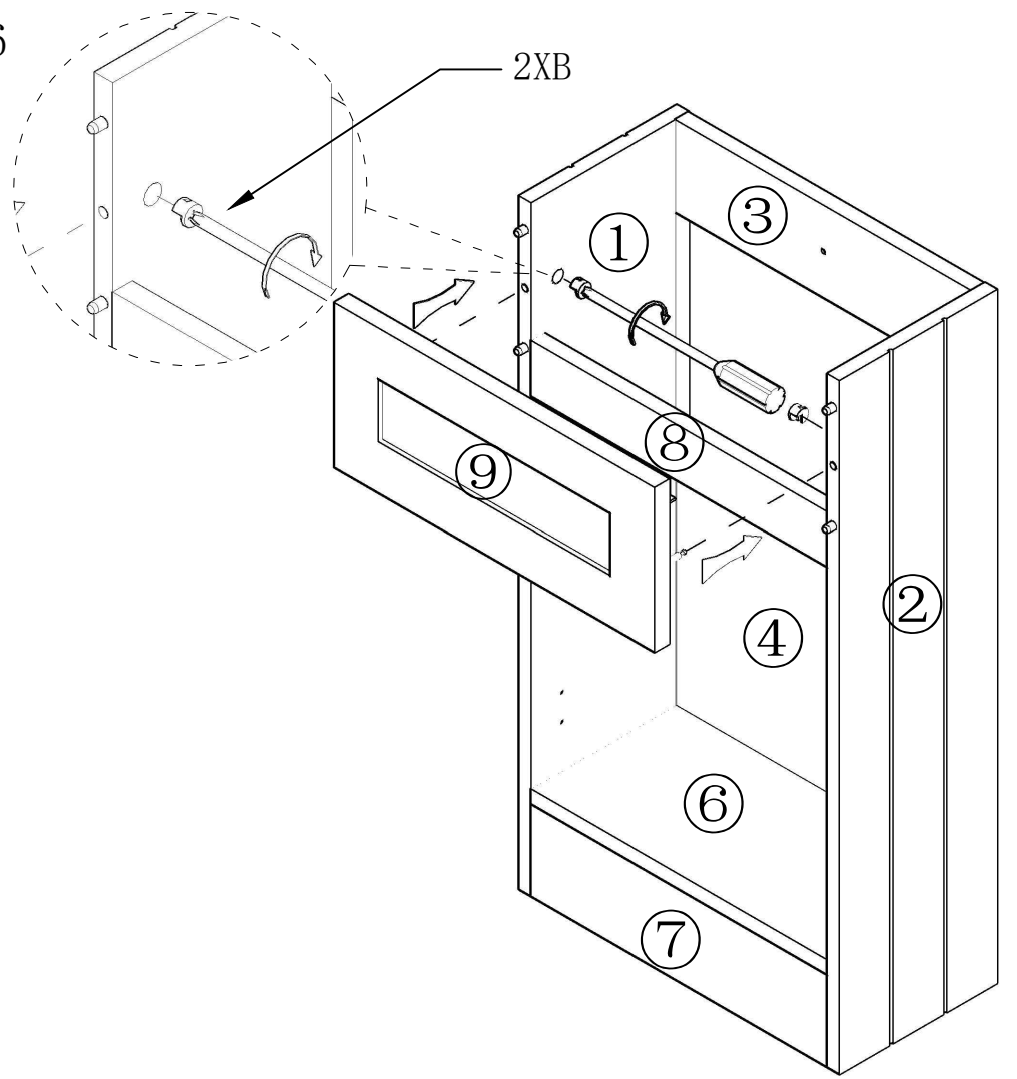
Step 4



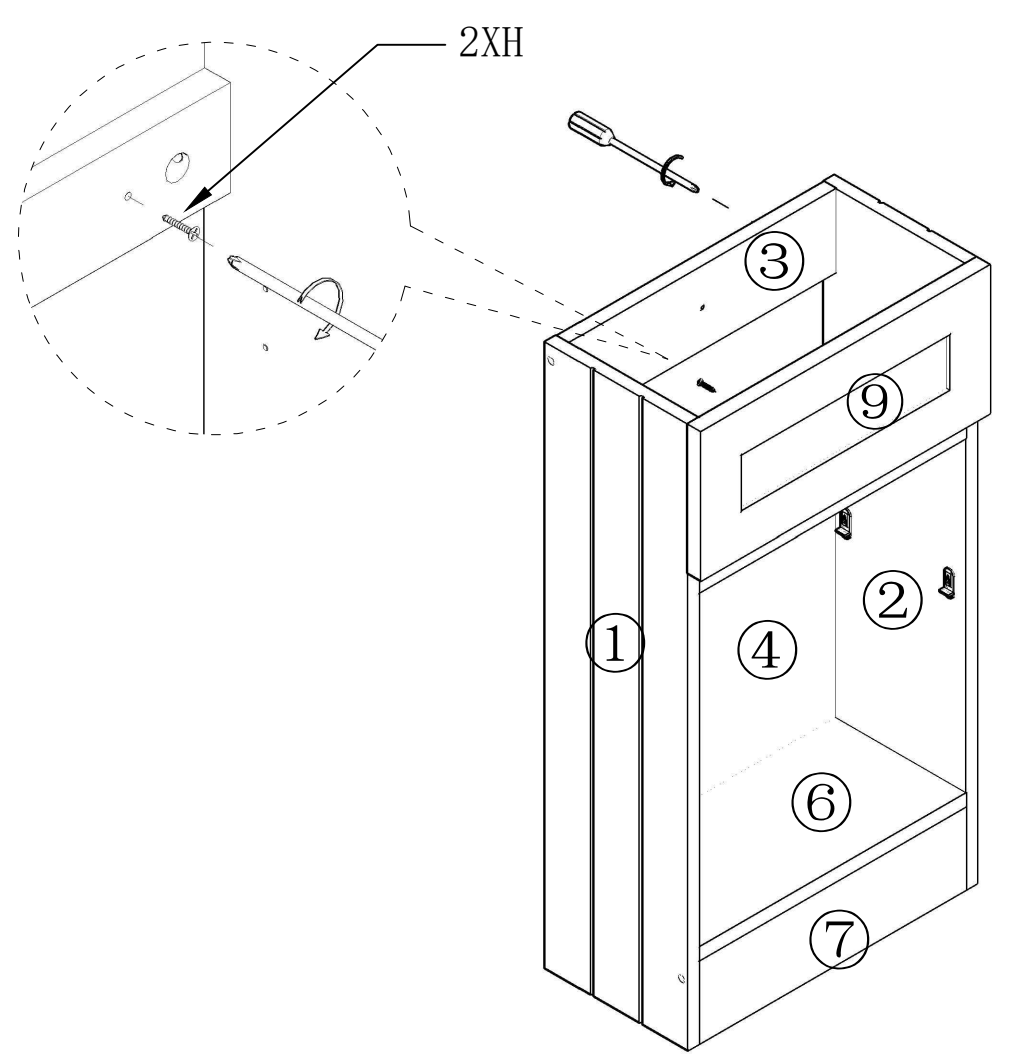
Step 5



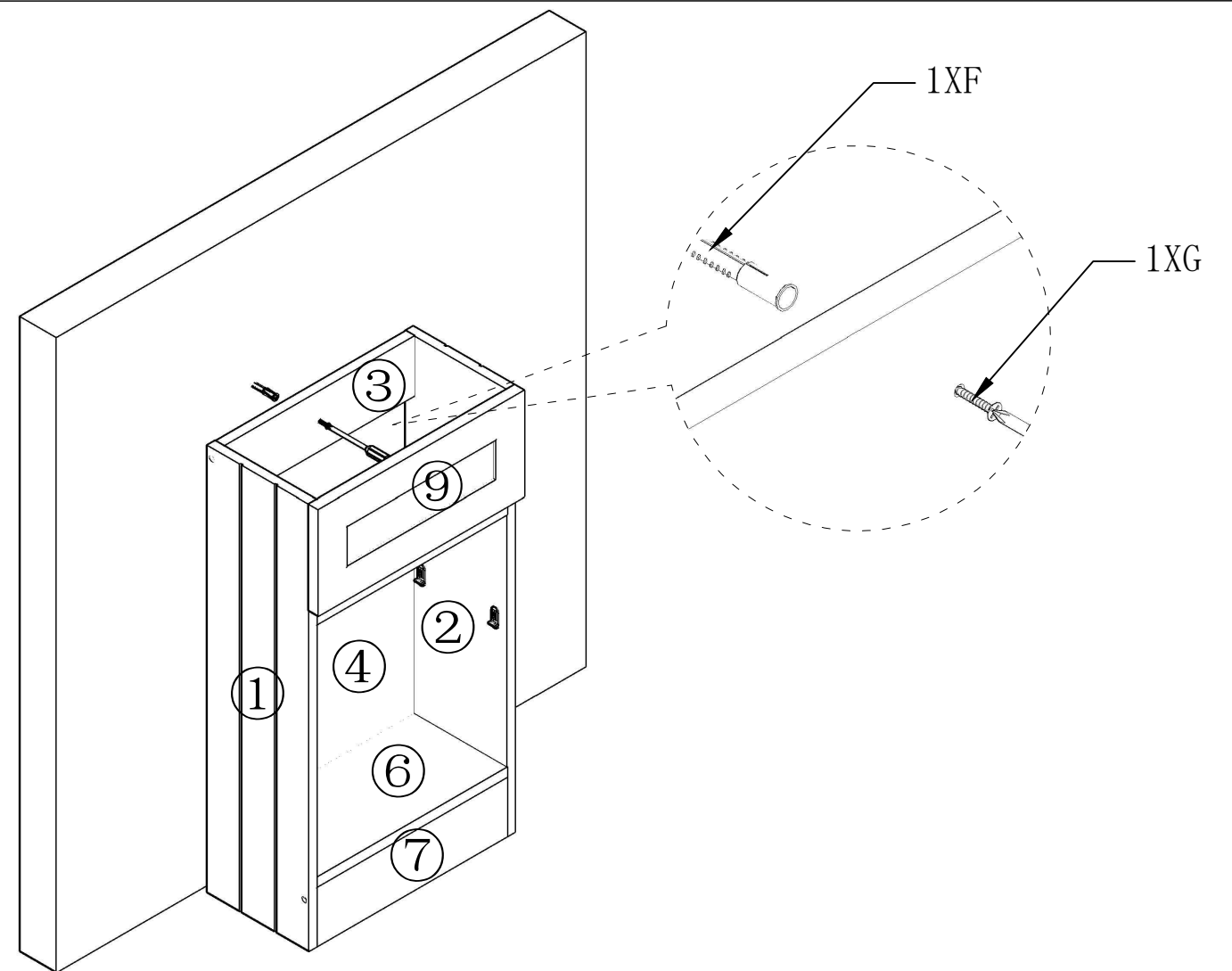
Step 6



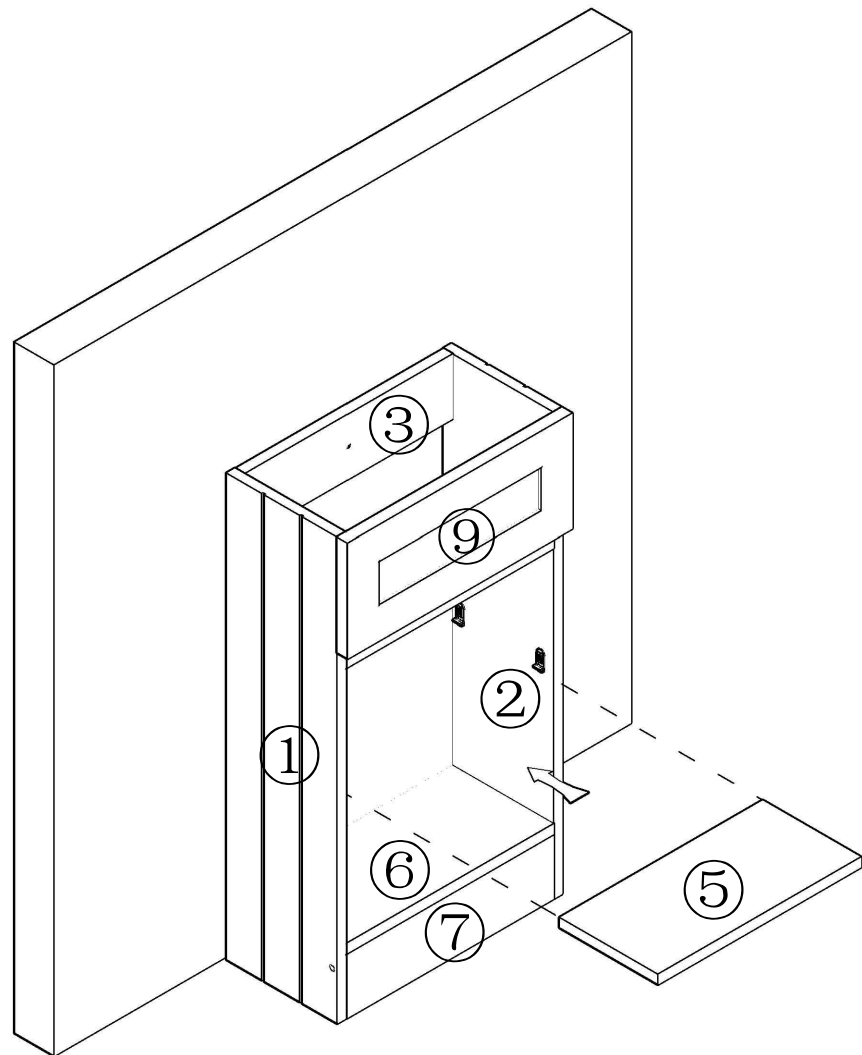
Step 7



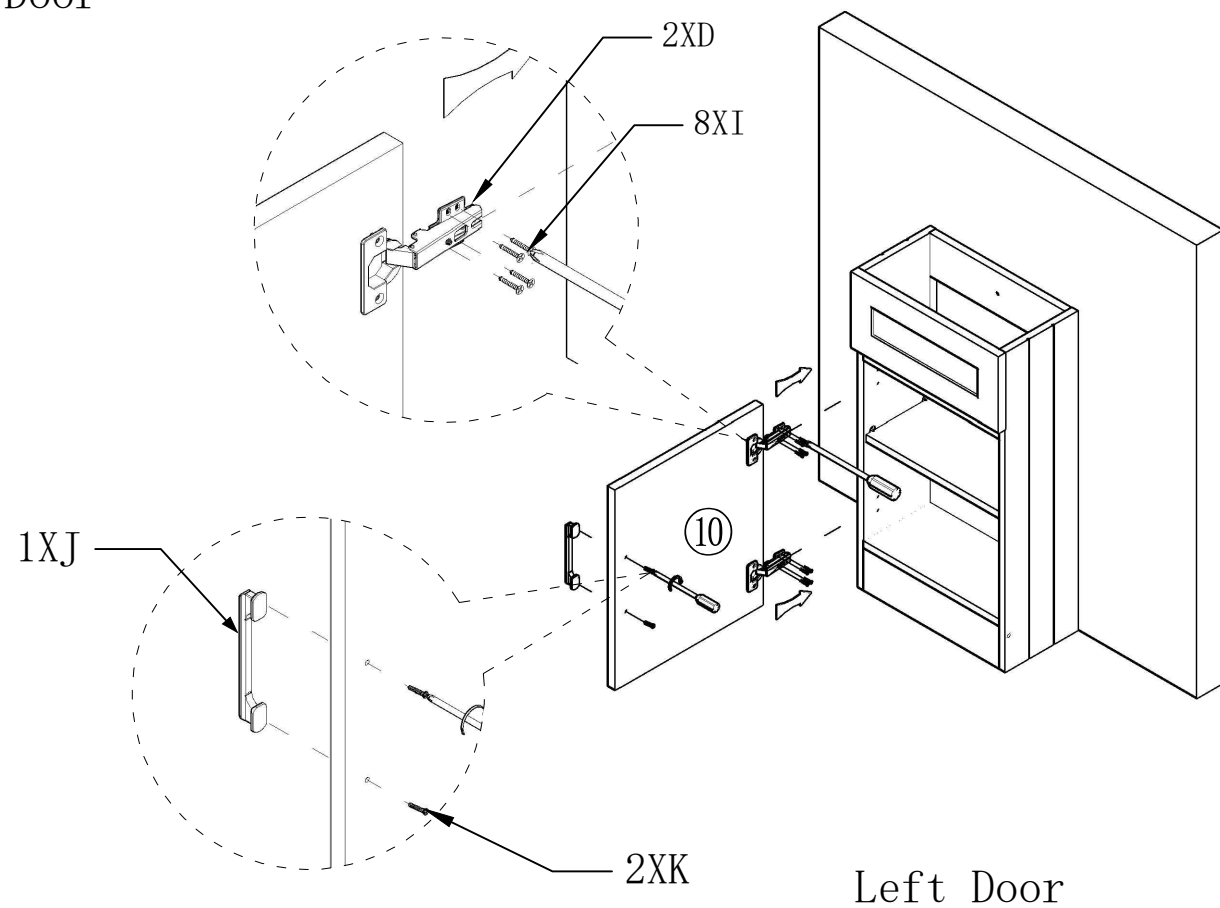
Step 8



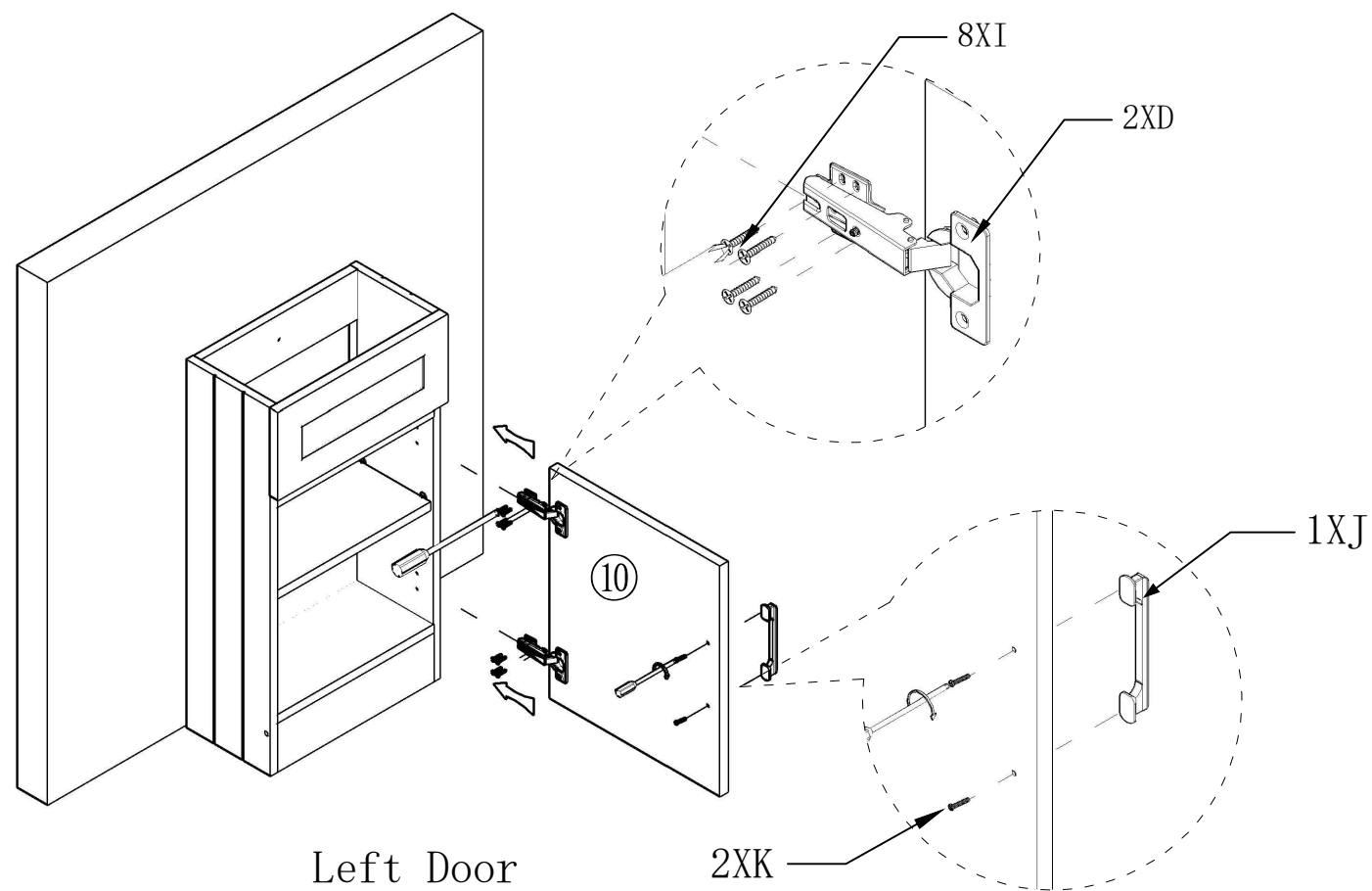
Step 9



Step 10 (OU/OR)
Left Door



Step 10 (OU/OR)
Right Door



Step 11

