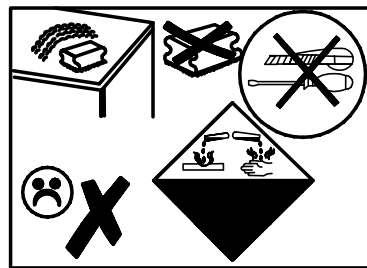
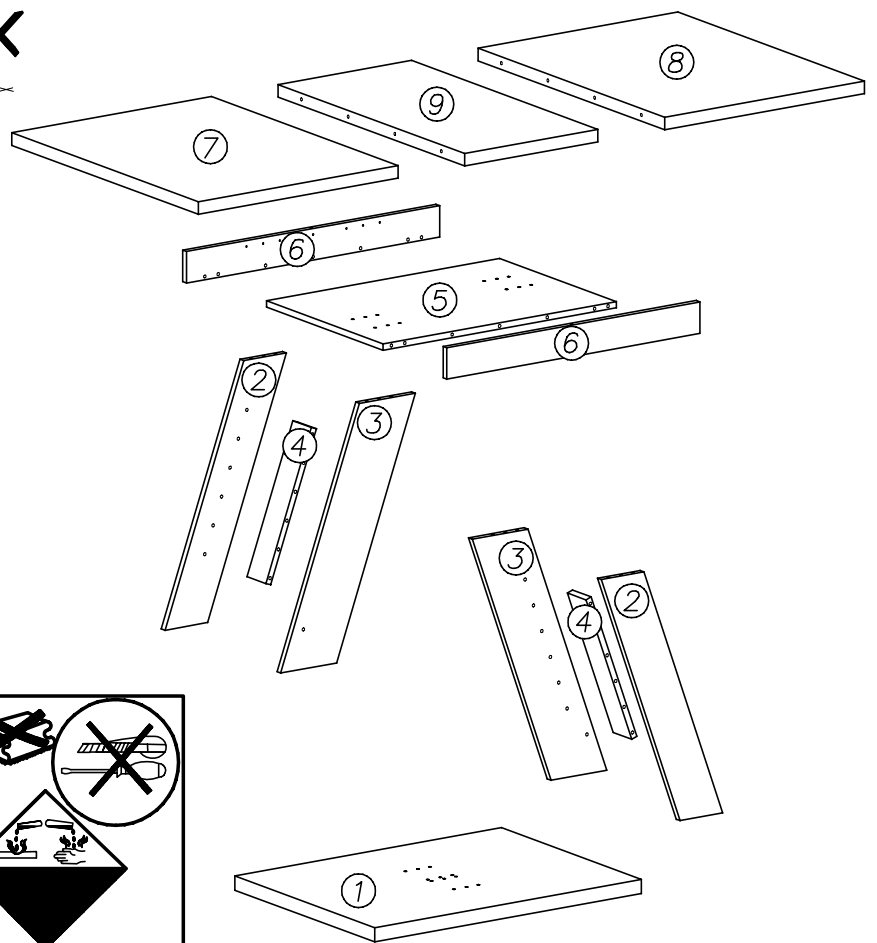
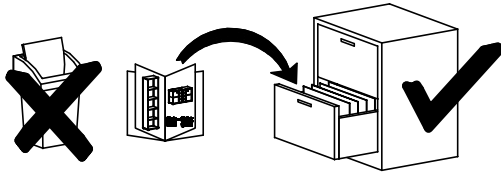
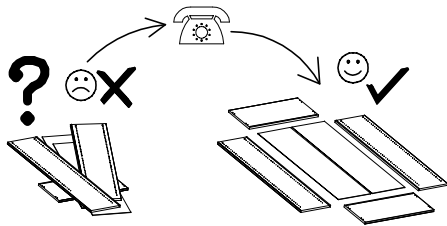
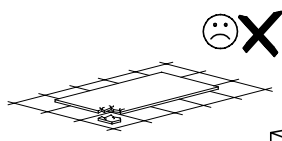
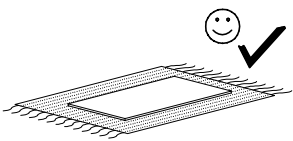
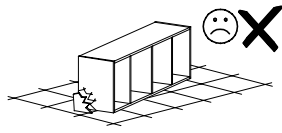
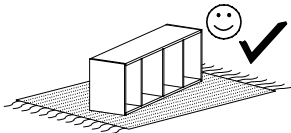
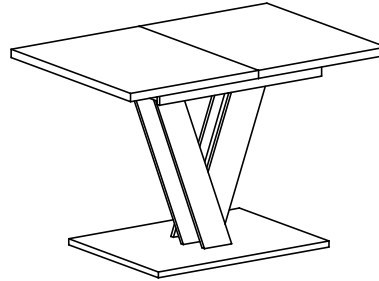



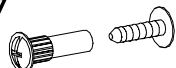
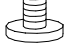





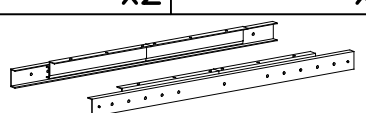
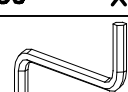
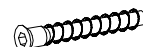




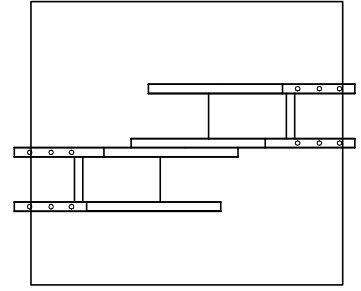
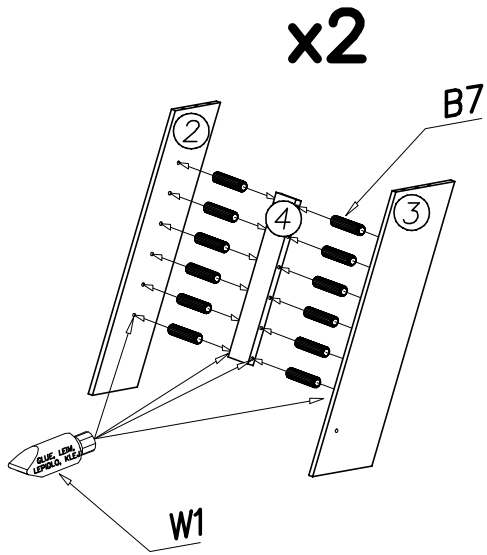
 40min

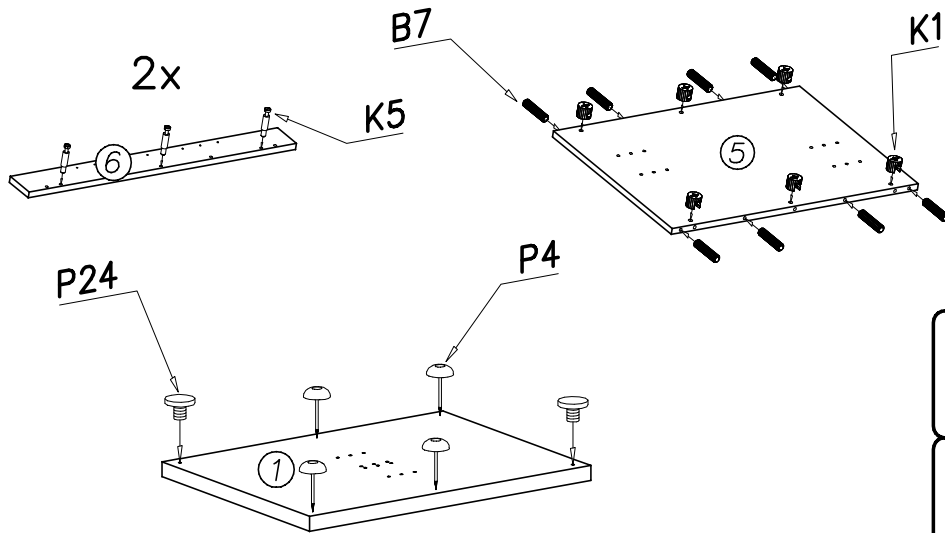


W1  GLUE, LEIM, LEPIDLO, LIM x1	I10  x6	I11  x12	N7  x1	P24  x2	B6  x10
A4  7 x 50 x12	K5  x6	K1  x6	P4  x4	H13  x1	
W2  x1	A2  7 x 70 x12	B7  8 x 30 x32	J10  x4	G34  4 x 15 x8	G10  6,3 x 13 x30

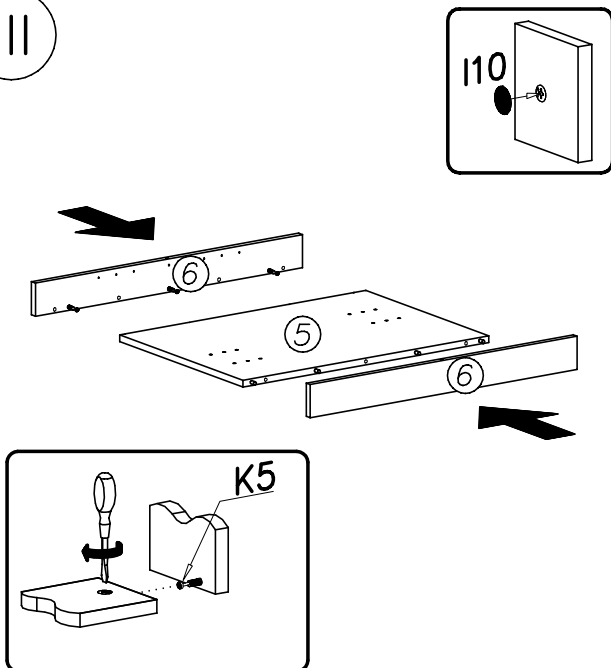
I



II

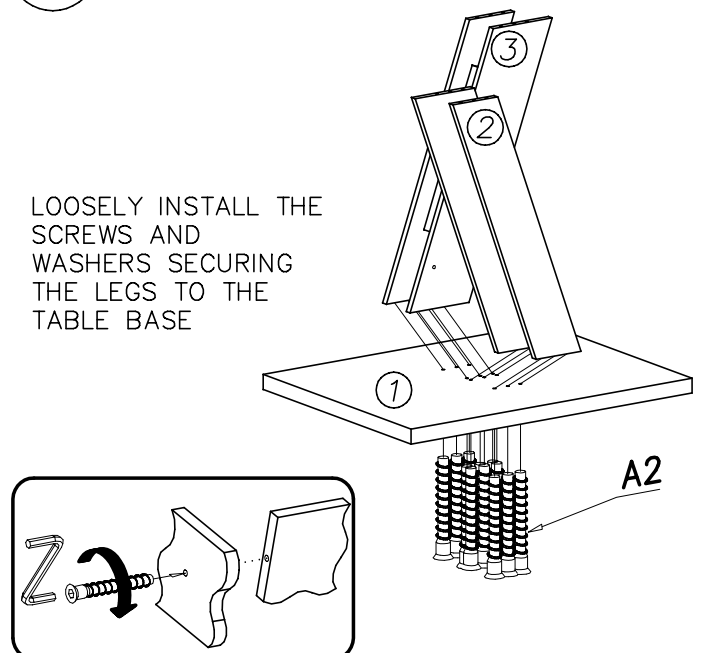


III



IV

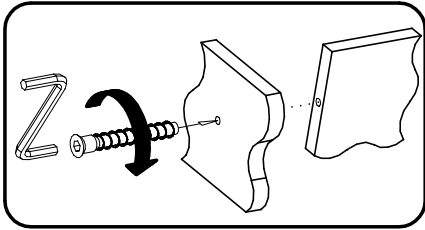
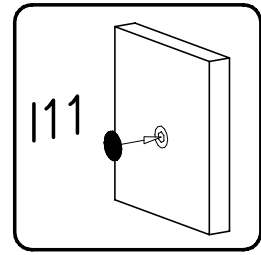
LOOSELY INSTALL THE
SCREWS AND
WASHERS SECURING
THE LEGS TO THE
TABLE BASE



V

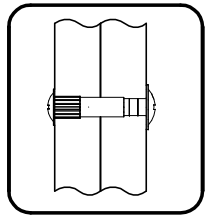
A4

5



N7

LOOSELY INSTALL THE
SCREWS AND
WASHERS SECURING
THE LEGS TO THE
TABLE TOP



N7

AFTER THIS STEP TIGHTEN ALL SCREWS

VI

G34

J10

B6

G34

B6

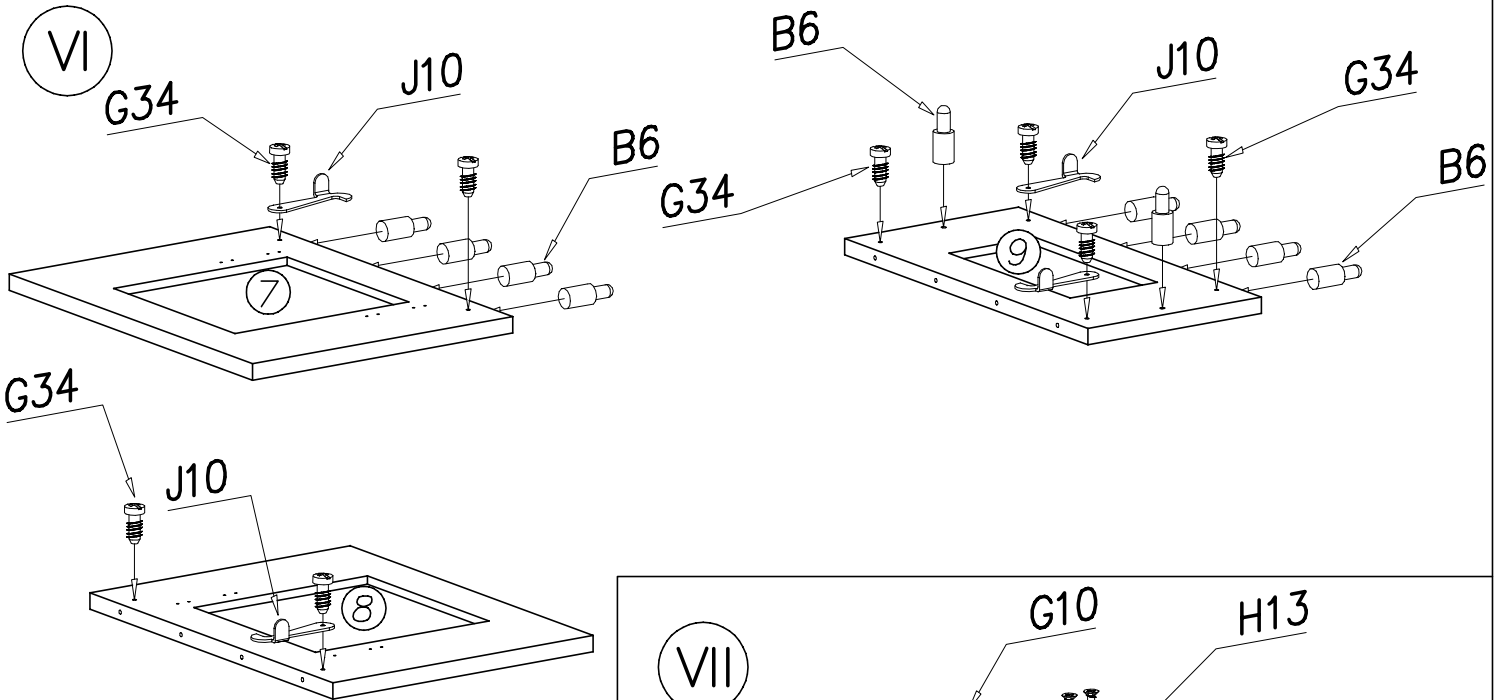
J10

G34

B6

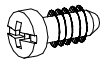
G34

J10



G34

4x15



G10

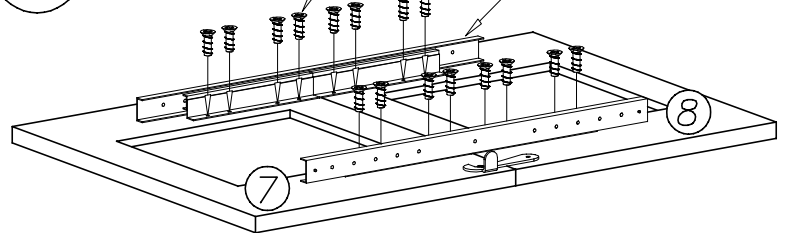
6,3x13



VII

G10

H13



G10

6,3x13








G34

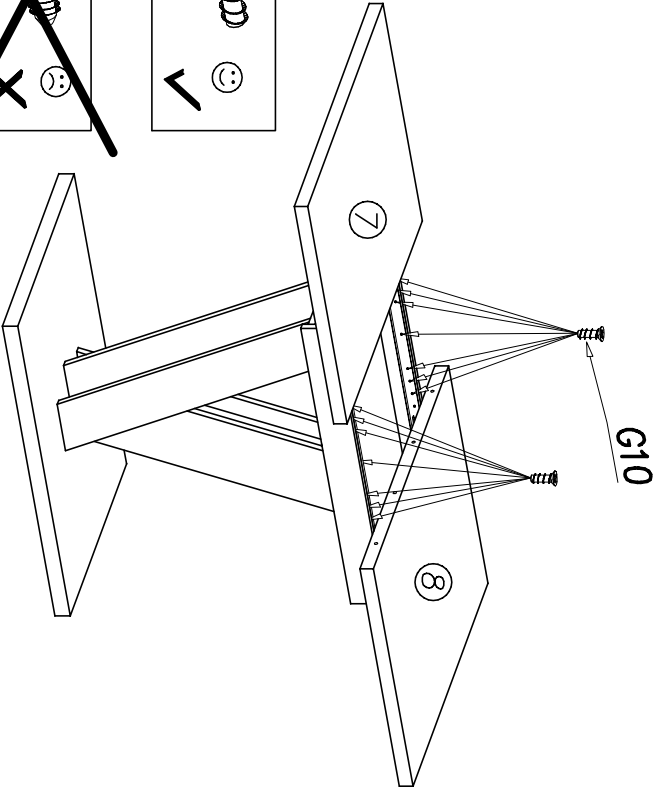
4x15



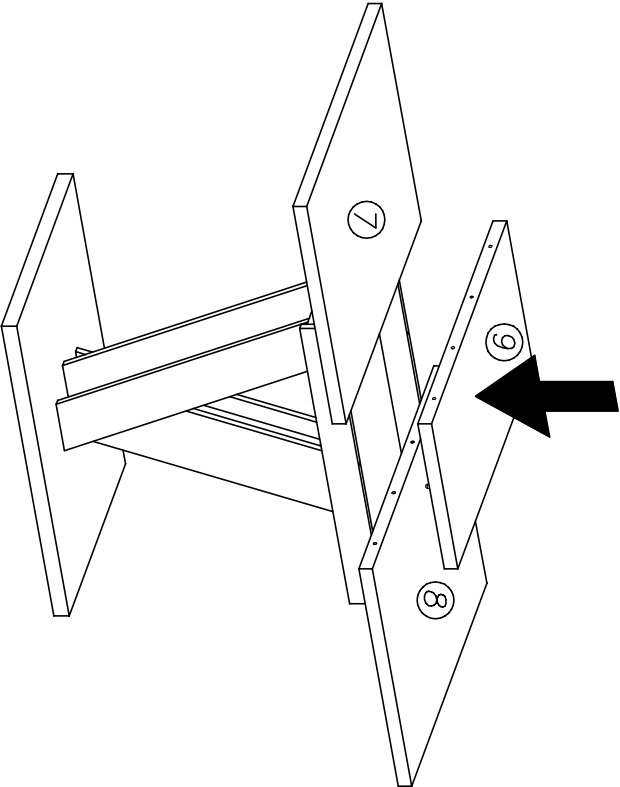
VIII

G10  
6,3x13

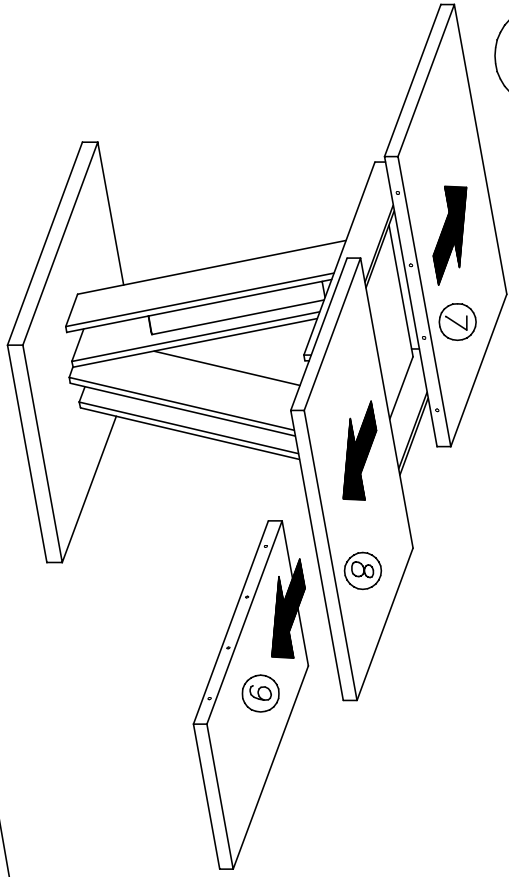
~~G54  
4x12 ~~



X



IX



XI

