



# Traditional Decking Kits Fitting Instructions

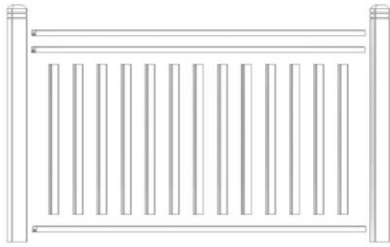
# DECK KIT RANGES



## PLAIN DECK KITS

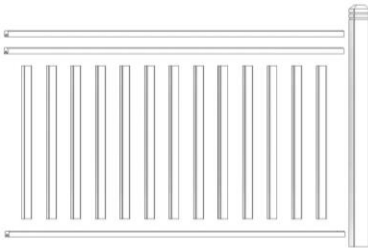
(fixings not included – sold separately)

### STARTER KIT



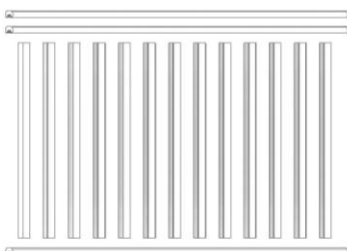
- 2 x Patrice Deck Posts
- 3 x Deck Rails
- 13 x Plain spindles

### EXTENSION KIT



- 1 x Patrice Deck Post
- 3 x Deck Rails
- 13 x Plain spindles

### INFILL KIT

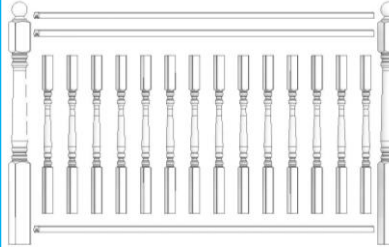


- 3 x Deck Rails
- 13 x Plain spindles

## COLONIAL DECK KITS

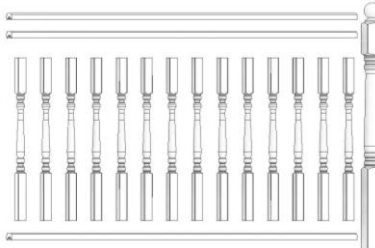
(fixings not included – sold separately)

### STARTER KIT



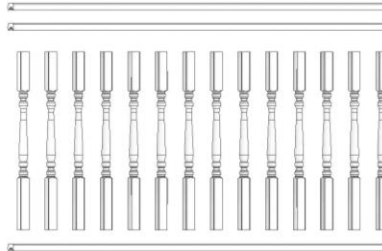
- 2 x Turned Deck Posts
- 3 x Deck Rails
- 14 x Colonial spindles

### EXTENSION KIT



- 1 x Turned Deck Post
- 3 x Deck Rails
- 14 x Colonial spindles

### INFILL KIT

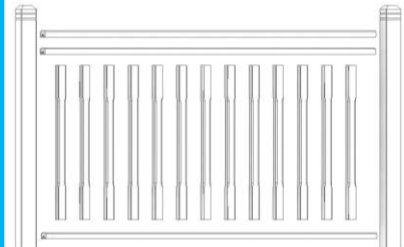


- 3 x Deck Rails
- 14 x Colonial spindles

## STOP CHAMF DECK KITS

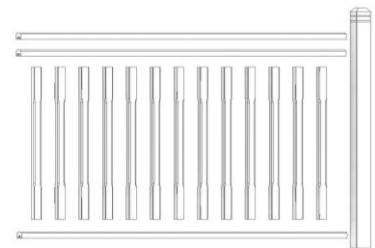
(fixings not included – sold separately)

### STARTER KIT



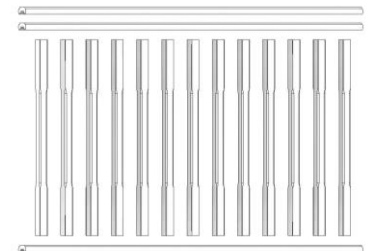
- 2 x Patrice Deck Posts
- 3 x Deck Rails
- 13 x Stop chamfer spindles

### EXTENSION KIT



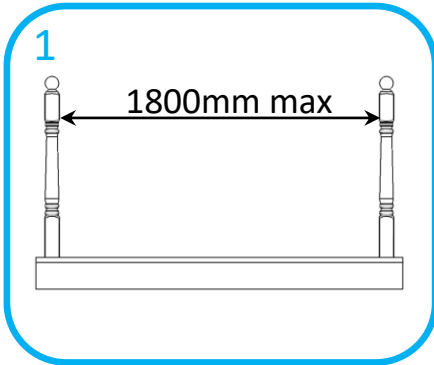
- 1 x Patrice Deck Post
- 3 x Deck Rails
- 13 x Stop chamfer spindles

### INFILL KIT

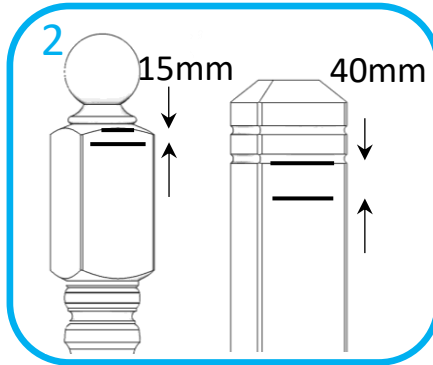


- 3 x Deck Rails
- 13 x Stop chamfer spindles

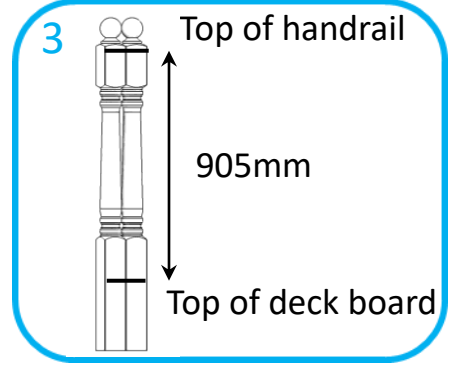
# FITTING INSTRUCTIONS – Decking kit Traditional



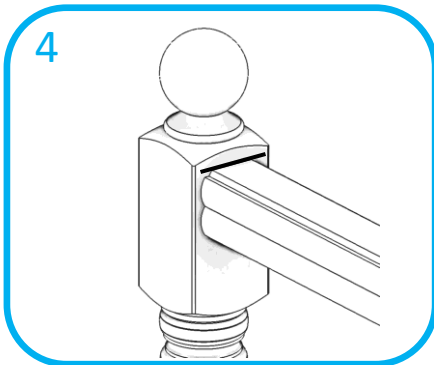
Please note – maximum distance between posts is 1800mm. Suitable for ground level decks and decks up to 600mm above ground level



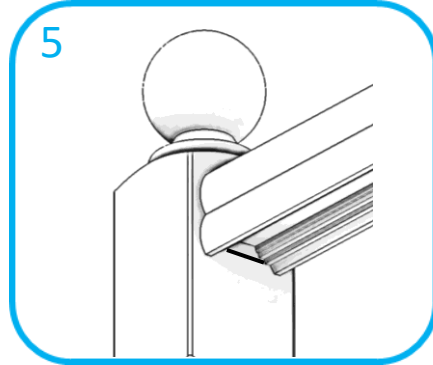
To set location for handrail top, for turned deck post measure down 15mm from post chamfer curve and mark with pencil. For square deck post measure down 40mm from bottom groove



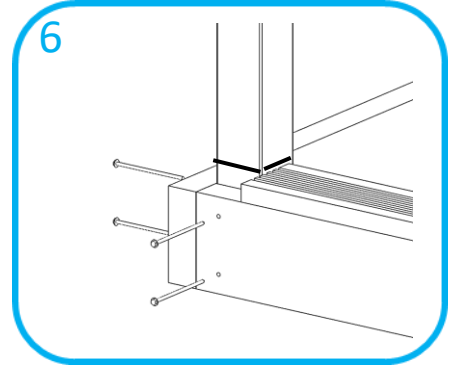
Place deck posts together and strike a line across both post for the top of handrail location. Next, measure down 905mm and mark. This is where top of deck boards will be aligned to. Strike line across both posts.



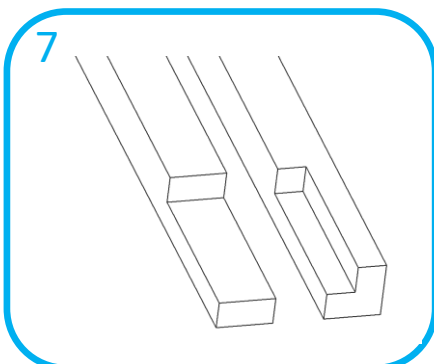
Place one handrail on top of another rail and offer top handrail face up to location mark



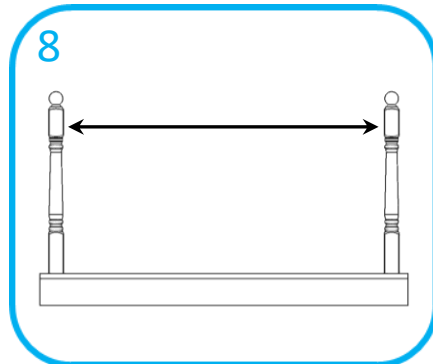
On the underside, place a mark at the first rebate up which will take the 41mm spindles



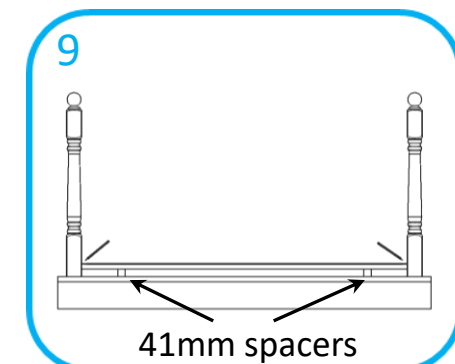
Place a deck board on the frame and set deck post to correct height by aligning the bottom mark on the post with top of deck board. Fasten post in position using decking screws. Wherever possible, locate posts so that two faces can be fixed through two joists.



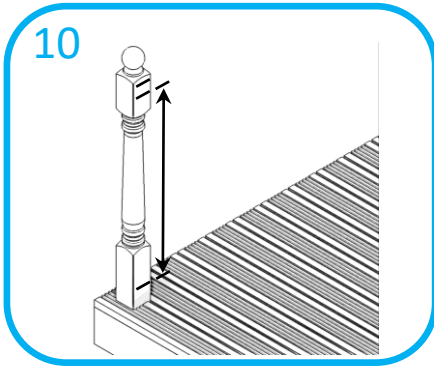
Alternatively, if fixing to the outside of the joist face, they should be half lapped or rebated if a deck post is on a corner



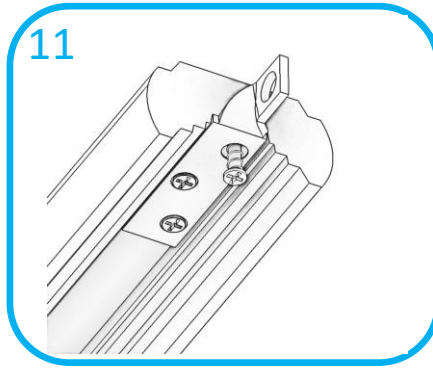
Measure distance between deck posts and cut 3 x handrails to length



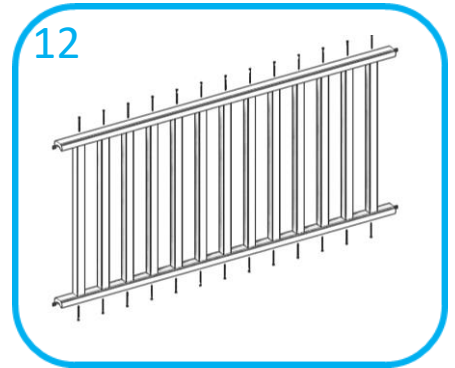
Place 2 x 41mm spindles on top of deck boards and place a cut rail between the posts so it rests on top of the spindles ensuring that the rail rebate is facing down. Mark top of rail height location onto the deck posts.



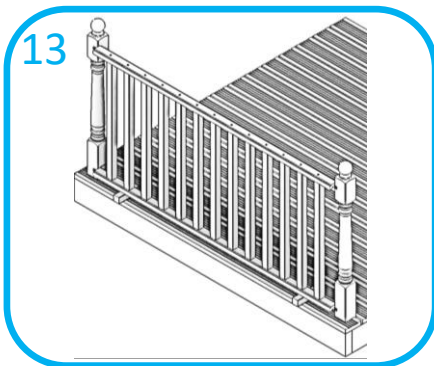
10 Measure distance between top mark on lower rail and rail rebate mark as shown in Fig 5. Cut all spindles to this length.



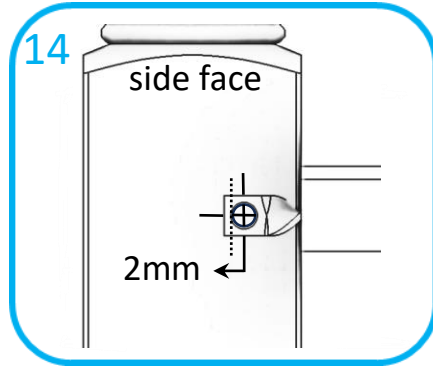
11 Using 4 x twist brackets (sold separately), attach them to the ends of 2 rails. Offer the bracket into the rebate so that the shoulder of the bracket is flush with the rail ends. Pilot drill through the bracket holes and secure with the screws supplied in the twist bracket fixing kit



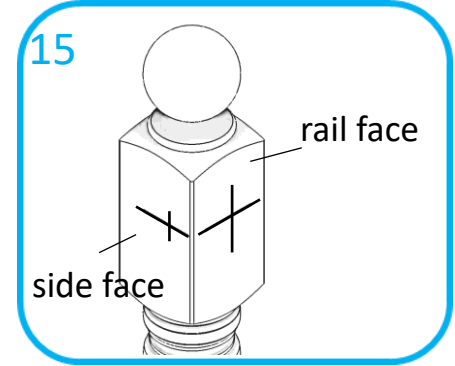
12 To work out spacings, draw a line 100mm in from each end of the rail – these are the centres for first and last spindles. Measure distance between centres and divide by number of remaining spindles plus 1 to get remaining centres. Example – distance between first and last centres is 1600mm divided by 12 (11 spindles remaining) equals 133mm centres. Pilot drill through top and bottom rails and secure using 75mm screws



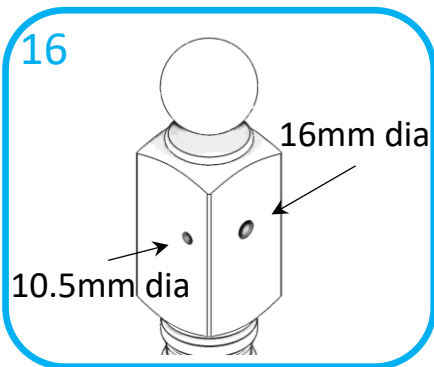
13 Offer the assembled balustrade to the outside of the deck posts and rest it on 2 x 41mm spindle offcuts, so that the twist brackets are against the outside post faces



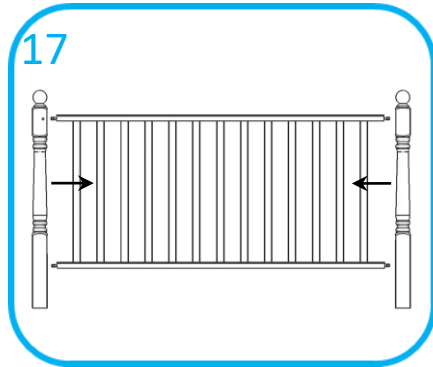
14 Using a pencil, mark position of twist bracket hole. Apply centre marks then mark another vertical centre mark 2mm away from the original. Repeat for remaining twist brackets



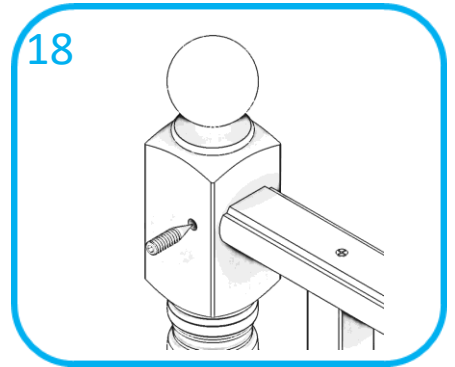
15 With the side marked, use a square and project horizontal centre mark to the inside rail face. Find centre of face and draw intersecting vertical line. Repeat on all posts



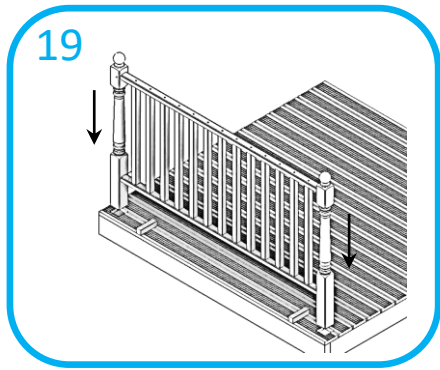
16 On the side face mark drill a 10.5mm dia hole to a depth of 60mm. On rail face mark, drill a 16mm dia hole to a depth of 40mm. Repeat for all.



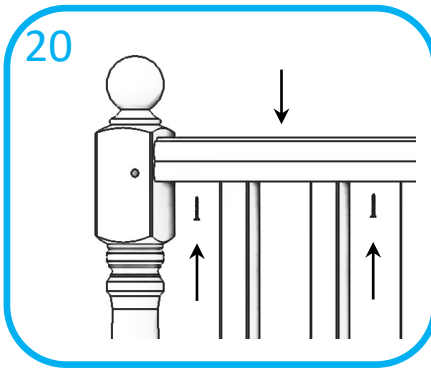
17 Remove the deck posts and offer the twist bracket rail ends into the 16mm dia holes



18 Insert the twist bracket taper bolts and tighten until the rail ends are pulled in tight to the post faces.



19 Offer balustrade and post assembly back into position with the bottom rail resting on the spindle offcuts. Secure with decking screws as before



20 Offer the remaining rail onto the top rail. Drill pilot holes up through top rail and secure with 38mm screws. Fix every 2-3 gaps. Apply cover caps to all twist bracket bolt holes using clear silicon sealant