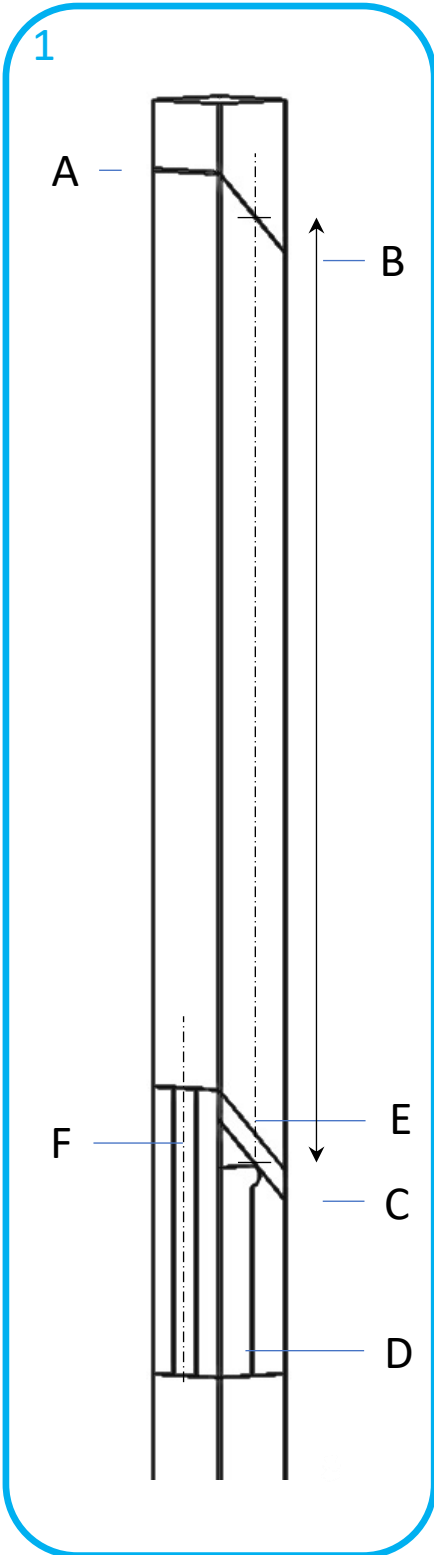
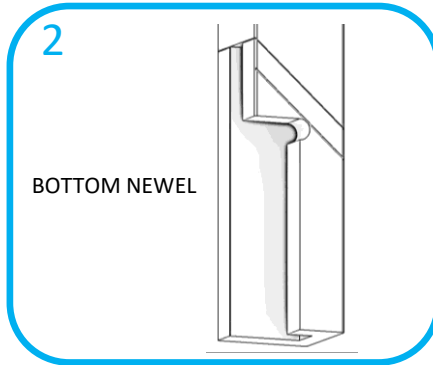


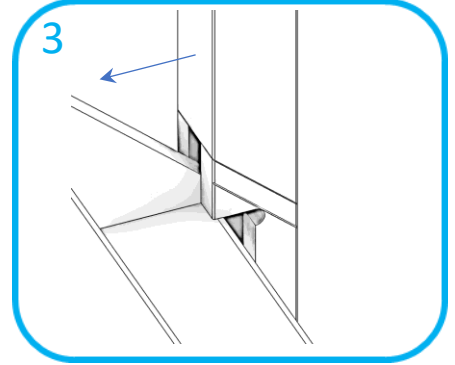
FITTING INSTRUCTIONS – Installing 1500mm Newel Posts



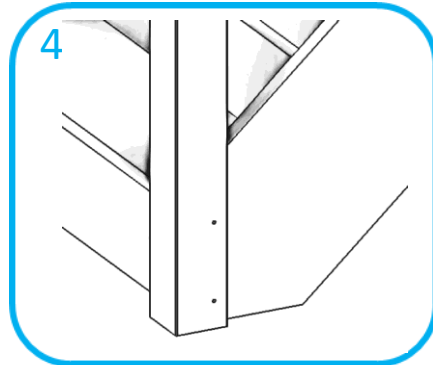
Newel post to be marked out central to riser and string
Mark out bottom newel in following order –
A, top of handrail location
B, stair pitch marked on side face with adjustable bevel
C, 900mm min height marked centrally to pitch line
D, tread profile drawn onto side face
E, measure & mark string margin up from pitch line
F, mark string width



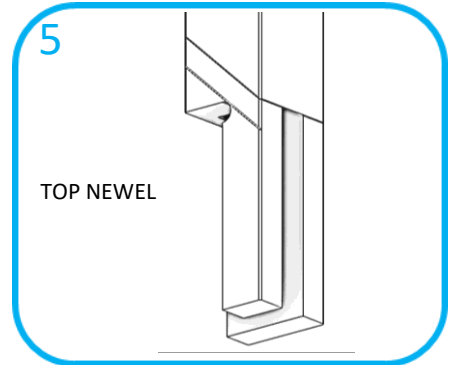
2
BOTTOM NEWEL
 Remove marked area by either routing, drilling, sawing, chiselling



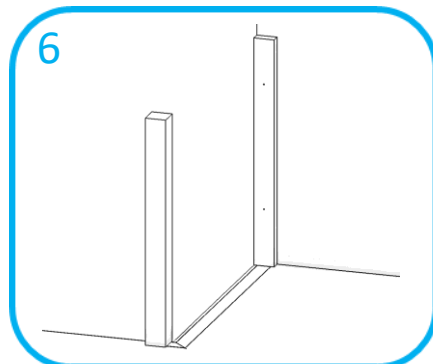
3
 Check fit on stairs and adjust where necessary. Check vertical with spirit level



4
 Drill 2 x counterbored screw holes on side face of newel post to accept 5mm x 75mm flat head pozi screws (No10 x 3") or similar. Apply pva adhesive to the rebated area on the newel post and offer up to stairs. Secure with screws. Check vertical with spirit level and adjust if required. Cut timber plugs from newel post offcut and insert into counterbored hole using adhesive.



5
TOP NEWEL
 For top newel, repeat procedure shown in Fig 1 regarding marking out rail location but with the top of handrail location facing down the stairs toward the bottom newel. Top newel post should look like Fig 5



6
 To fit half newel post on landing, mark out base rail location on floor from top newel to wall. Cut half newel to same height as top newel. Offer half newel to the wall so it is central to the base rail marks. Drill counterbored holes into half newel and mark hole locations on wall. Use appropriate wall plugs. Apply proprietary fast grab adhesive to back of half newel and offer back into position. Secure with 5mm x 75mm screws. Cover screw holes with timber plugs