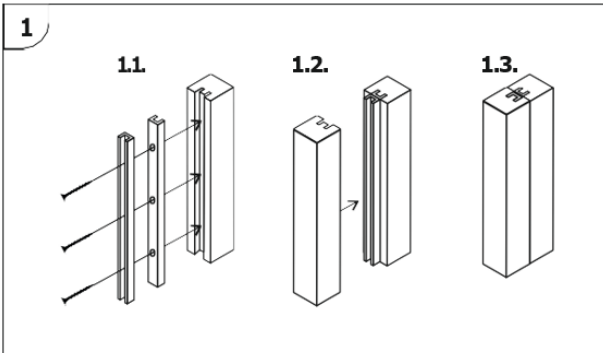




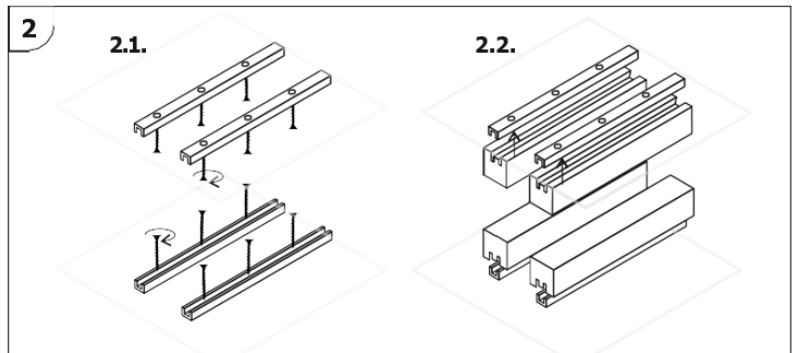
Cre8 Room Divider Installation Guide

INSTALLATION AS A PARTITION WALL - OPTION 1



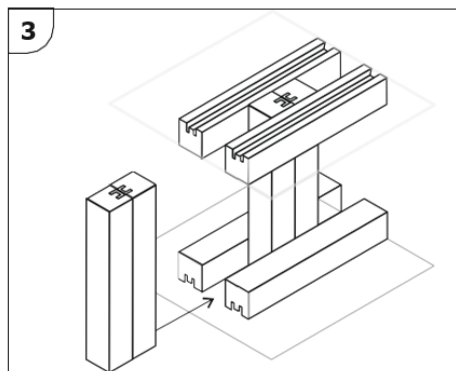
Assemble pair of slats to fill the partition:

- 1.1. Screw the two mounting plates to one slat.
- 1.2. Snap the second slat onto them.
- 1.3. Done! Any number of slats can be used for the partition wall.

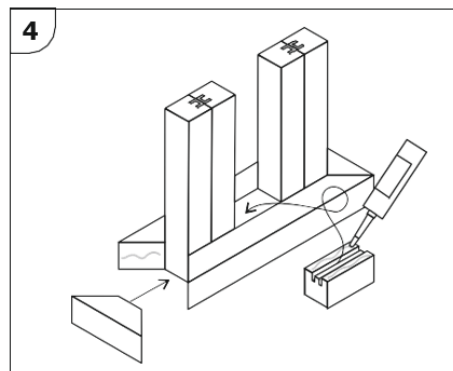


Assemble the upper and lower base:

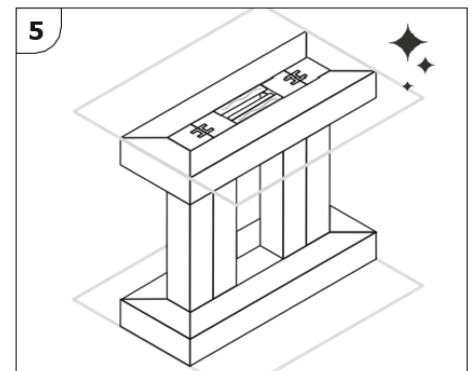
- 2.1. Attach the mounting plates to the floor and ceiling above each other.
- 2.2. Snap the base slats onto the mounting plates. The distance between the base slats should be equal to the width of the filling slats of the partition.



Fill the baffle. Place the slats vertically to fill the partition between the bases.

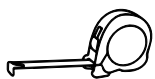


Format the ends of the bases in any way you like. For example, close up with a piece of slat with a 45° notch.



Installation is over!

THINGS YOU NEED



Tape measure



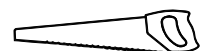
Fastening elements



Screwdriver



Level



Hacksaw



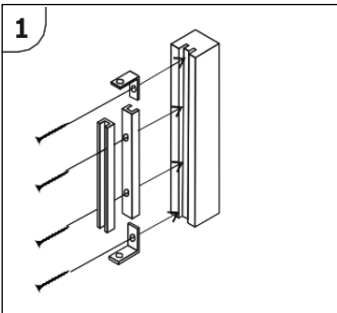
Rubber mallet



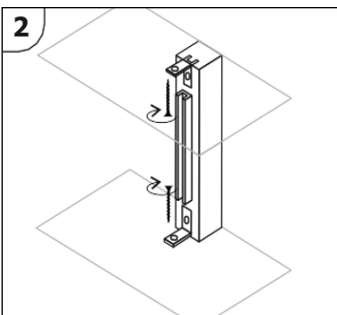
Clamp



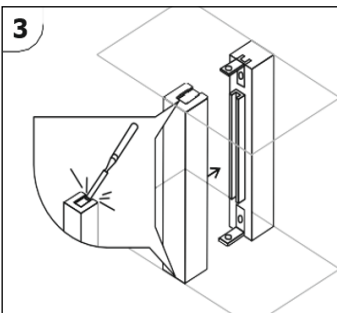
INSTALLATION AS A PARTITION WALL - OPTION 2



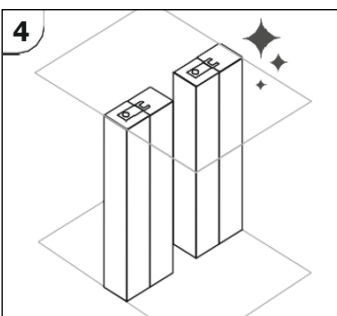
Fasten the two mounting plates and metal corners to the slat.



Attach the slat to the floor and ceiling.



Attach the second slat to the mounting plate. The material must be selected beforehand with a chisel. Use clamps when connecting.



Installation is over!

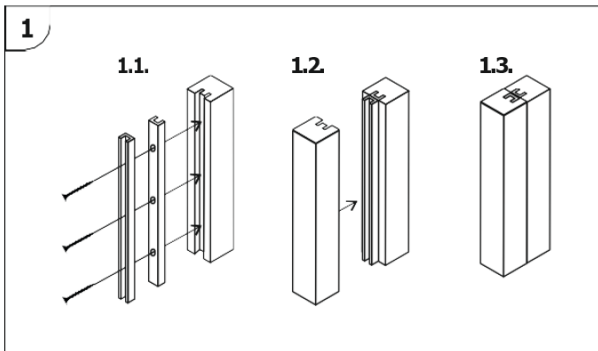
TIPS

- Before installing the finishing materials, MDF-based finishes must be stored in the room in which it is to be installed, within 24 hours.
- To avoid damage of the product, before screwing in the self-tapping screw, it is necessary to prepare the hole.
- Always choose the fasteners according to the material.



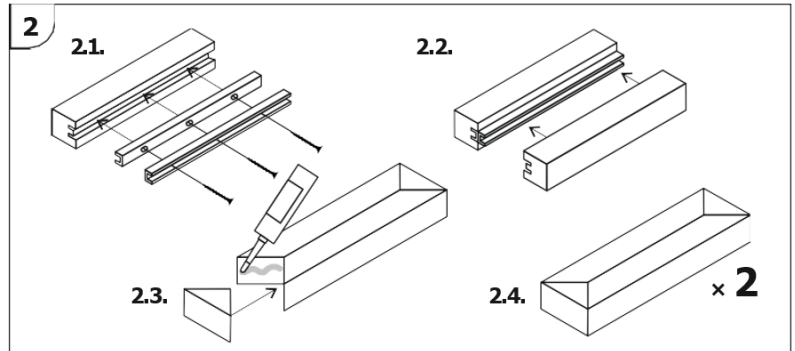
Cre8 Room Divider Installation Guide

INSTALLATION AS A PARTITION WALL - OPTION 3



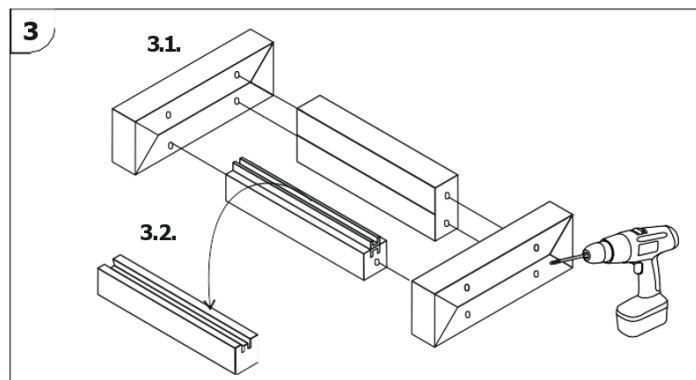
Assemble pair of slats to fill the partition:

- 1.1. Screw the two mounting plates to one slat.
- 1.2. Snap the second slat onto them.
- 1.3. Done! Any number of slats can be used for the partition wall.



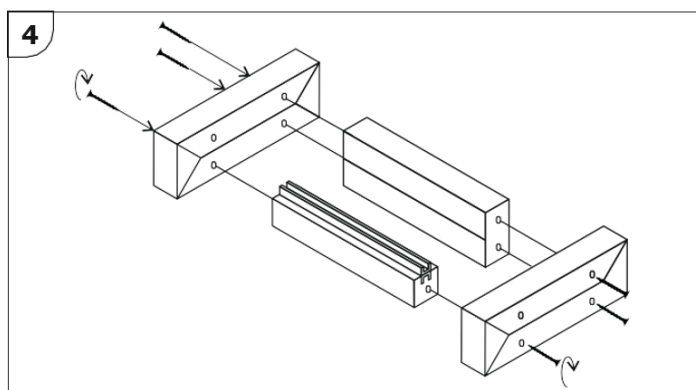
Assemble the upper and lower base:

- 2.1-2.2. Pair the slats together similarly to the partition filling slats.
- 2.3-2.4. Seal the ends of the slats of the base with a piece of batten with a 45° notch.



Prepare the baffle for assembly.

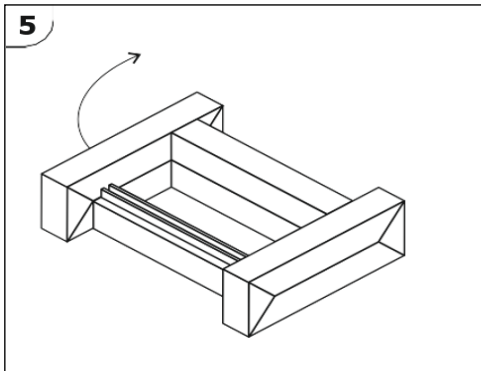
- 3.1. Drill holes for fasteners where the bases connect to the vertical slats
- 3.2. In several places, disconnect one rail from the pair of



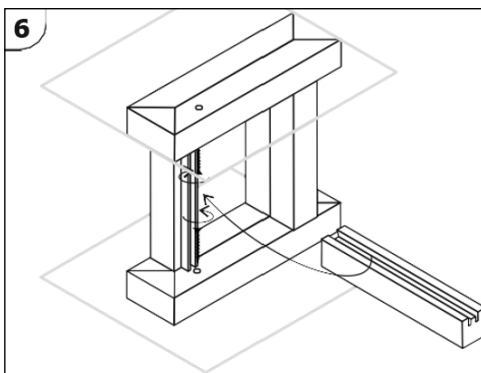
Assemble the partition in one piece



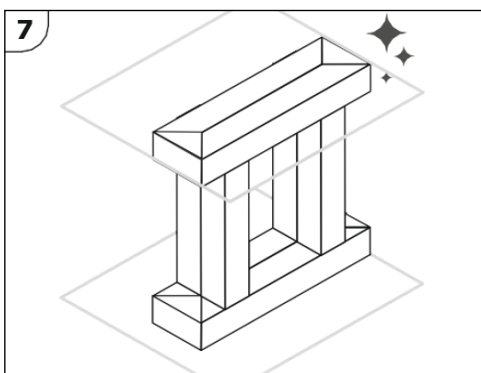
INSTALLATION AS A PARTITION WALL - OPTION 3



Lift up the partition wall. Close the resulting gap at the ceiling in any way according to the room design.



Attach the baffle to the ceiling and floor, use the holes in place of the previously set aside slats for attachment. Close the fixing point by returning the laths in place.



Installation is over!