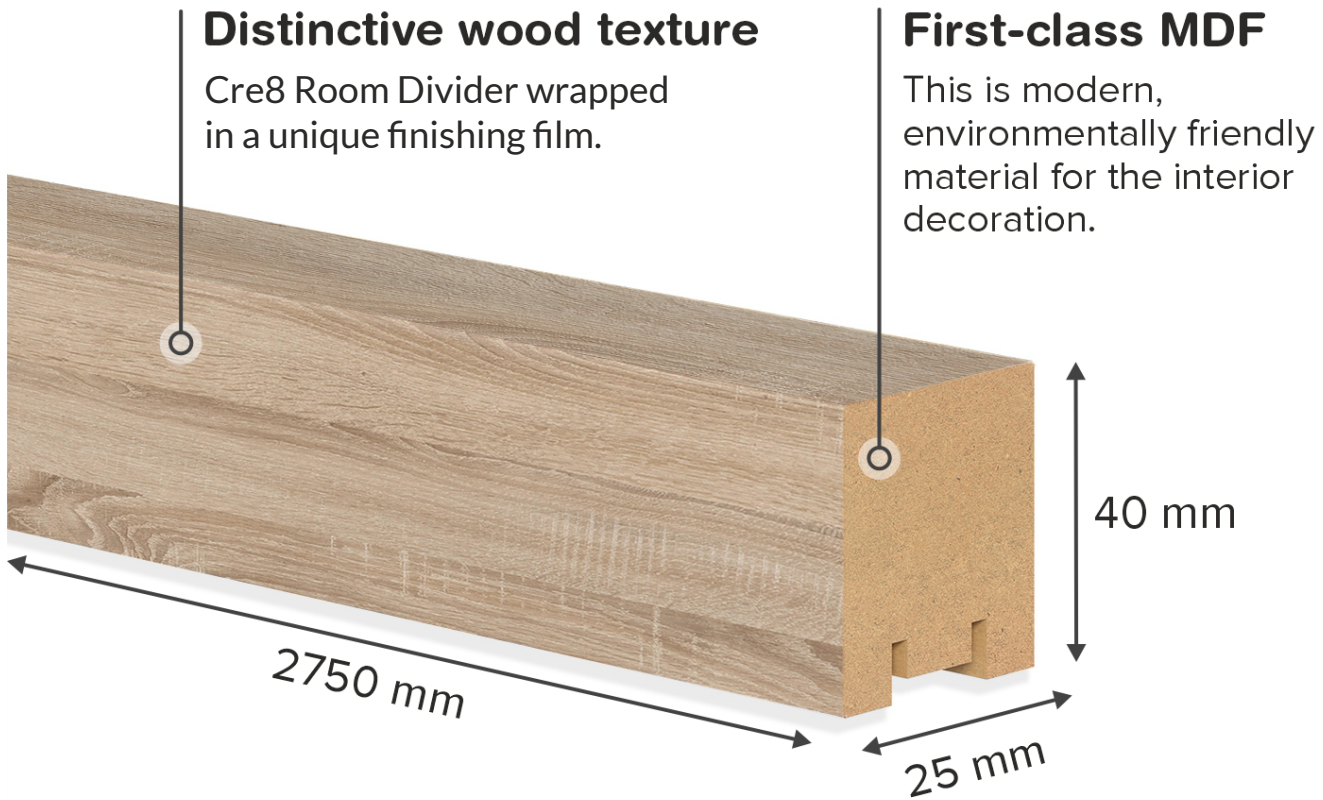
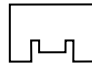




# Cre8 Room Divider Specification



## TECHNICAL PROPERTIES

Per Package	8 Pcs
Size(mm)	2750 x 40 x 25
Color	Natural Oak
Installation	x2 Mounting Plates Required Per Slat
Profile	
Substrate	MDF
Weight	14 Kg

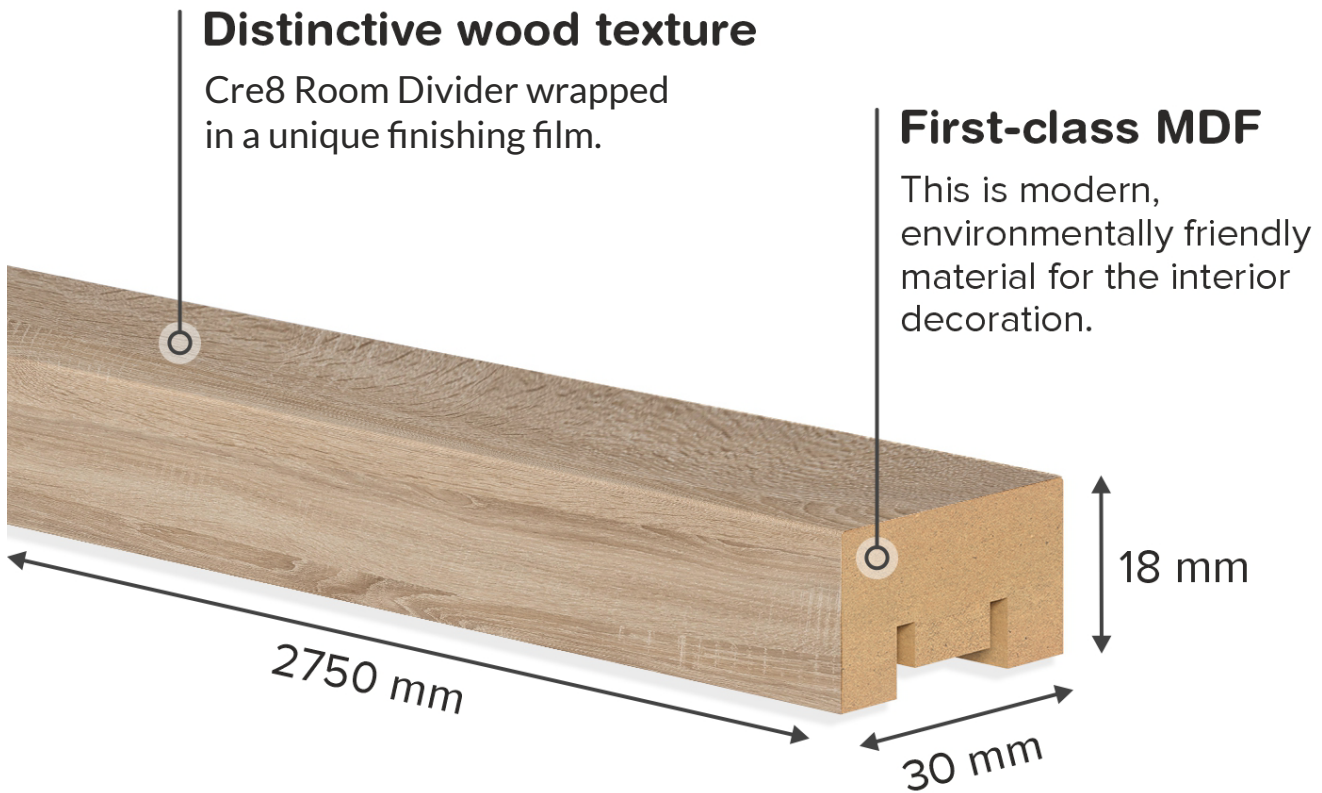
## KEY POINTS

- To be stored indoors (temperatures +5°C to 35°C)
- Use indoors with a relative humidity of no more than 70%
- Don't use near open fire
- Don't expose to water or direct sunlight
- Acclimatise product prior to installation for 24 hours
- Formaldehyde - E1

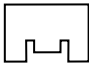




# Cre8 Room Divider Specification



## TECHNICAL PROPERTIES

Per Package	16 Pcs
Size(mm)	2750 x 30 x 18
Color	Natural Oak
Installation	x2 Mounting Plates Required Per Slat
Profile	
Substrate	MDF
Weight	14 Kg

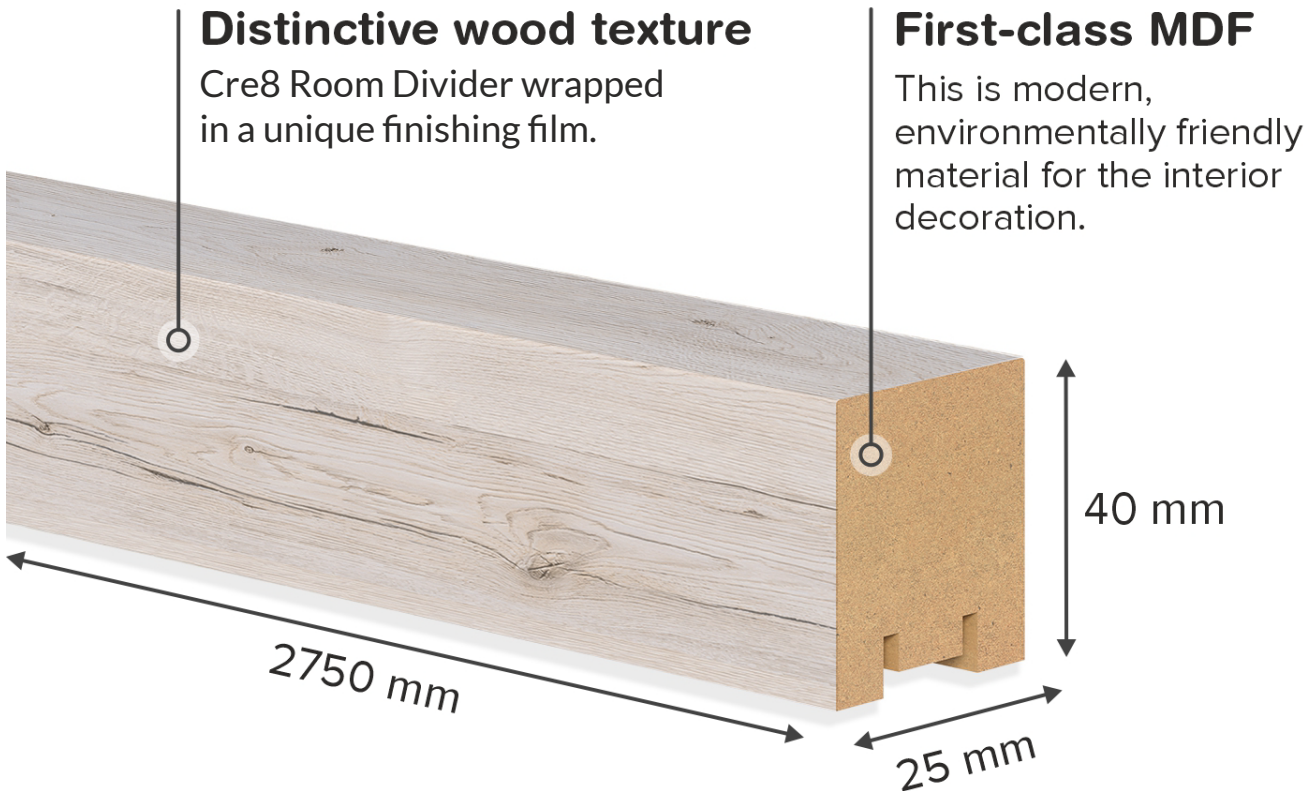
## KEY POINTS

- To be stored indoors (temperatures +5°C to 35°C)
- Use indoors with a relative humidity of no more than 70%
- Don't use near open fire
- Don't expose to water or direct sunlight
- Acclimatise product prior to installation for 24 hours
- Formaldehyde - E1

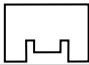




# Cre8 Room Divider Specification



## TECHNICAL PROPERTIES

Per Package	8 Pcs
Size(mm)	2750 x 40 x 25
Color	Oak White
Installation	x2 Mounting Plates Required Per Slat
Profile	
Substrate	MDF
Weight	14 Kg

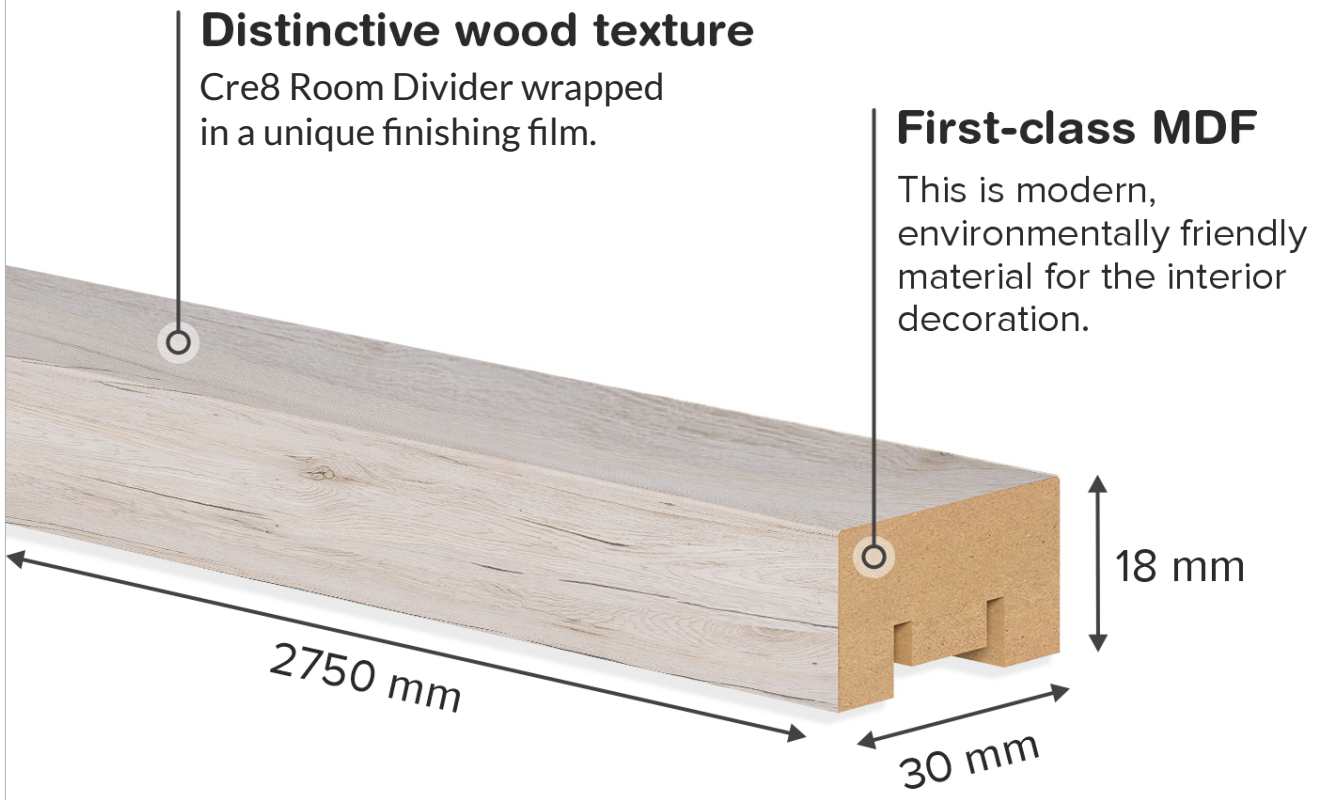
## KEY POINTS

- To be stored indoors (temperatures +5°C to 35°C)
- Use indoors with a relative humidity of no more than 70%
- Don't use near open fire
- Don't expose to water or direct sunlight
- Acclimatise product prior to installation for 24 hours
- Formaldehyde - E1

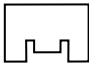




# Cre8 Room Divider Specification



## TECHNICAL PROPERTIES

Per Package	16 Pcs
Size(mm)	2750 x 30 x 18
Color	Oak White
Installation	x2 Mounting Plates Required Per Slat
Profile	
Substrate	MDF
Weight	14 Kg

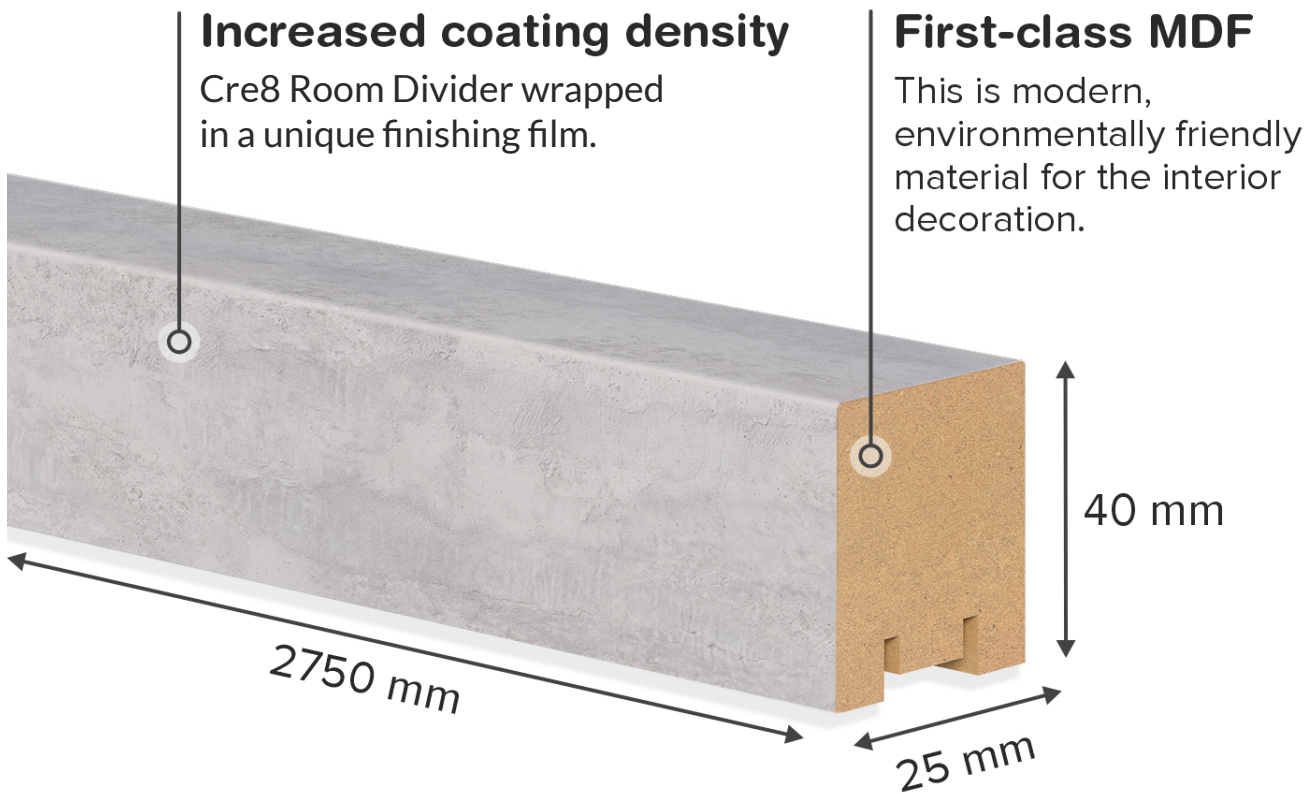
## KEY POINTS

- To be stored indoors (temperatures +5°C to 35°C)
- Use indoors with a relative humidity of no more than 70%
- Don't use near open fire
- Don't expose to water or direct sunlight
- Acclimatise product prior to installation for 24 hours
- Formaldehyde - E1

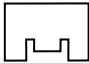




# Cre8 Room Divider Specification



## TECHNICAL PROPERTIES

Per Package	8 Pcs
Size(mm)	2750 x 40 x 25
Color	Concrete Grey
Installation	x2 Mounting Plates Required Per Slat
Profile	
Substrate	MDF
Weight	14 Kg

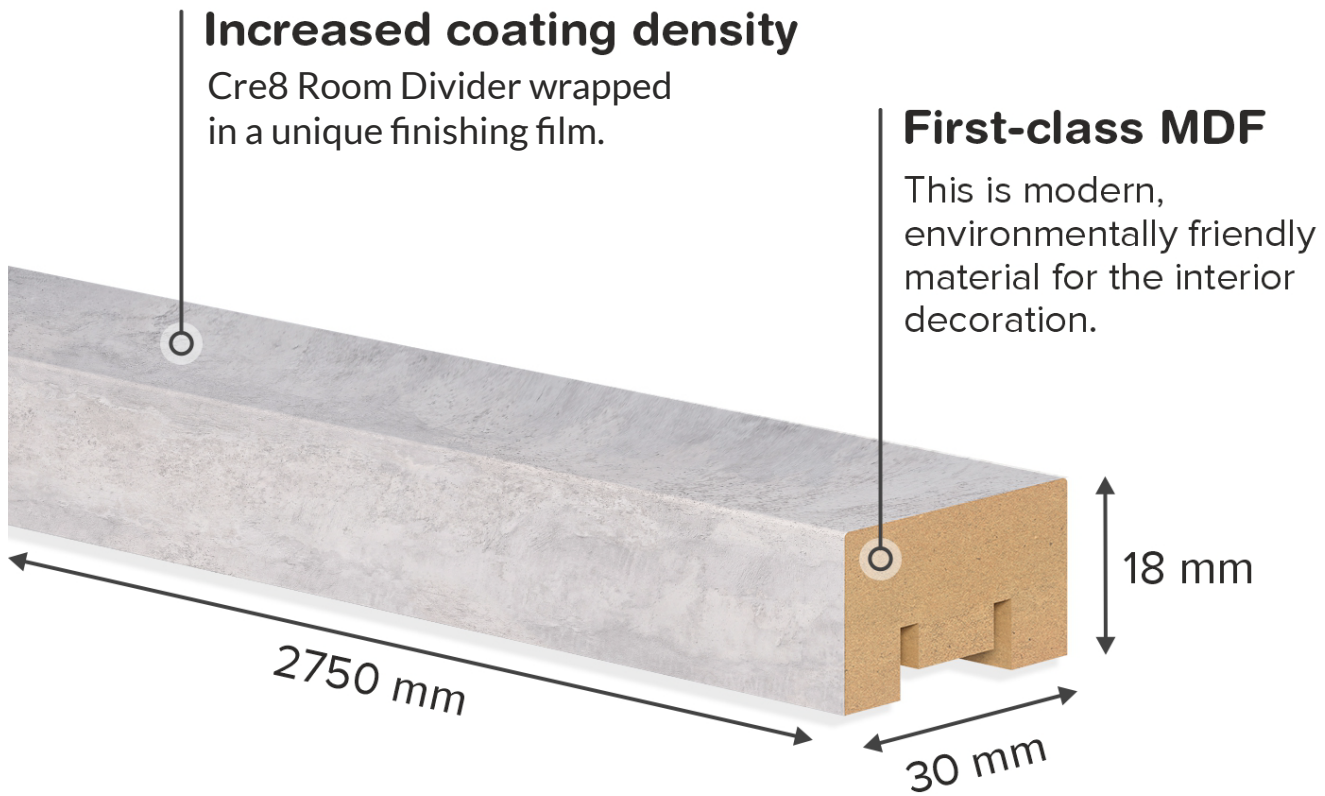
## KEY POINTS

- To be stored indoors (temperatures +5°C to 35°C)
- Use indoors with a relative humidity of no more than 70%
- Don't use near open fire
- Don't expose to water or direct sunlight
- Acclimatise product prior to installation for 24 hours
- Formaldehyde - E1

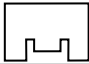




# Cre8 Room Divider Specification



## TECHNICAL PROPERTIES

Per Package	16 Pcs
Size(mm)	2750 x 30 x 18
Color	Concrete Grey
Installation	x2 Mounting Plates Required Per Slat
Profile	
Substrate	MDF
Weight	14 Kg

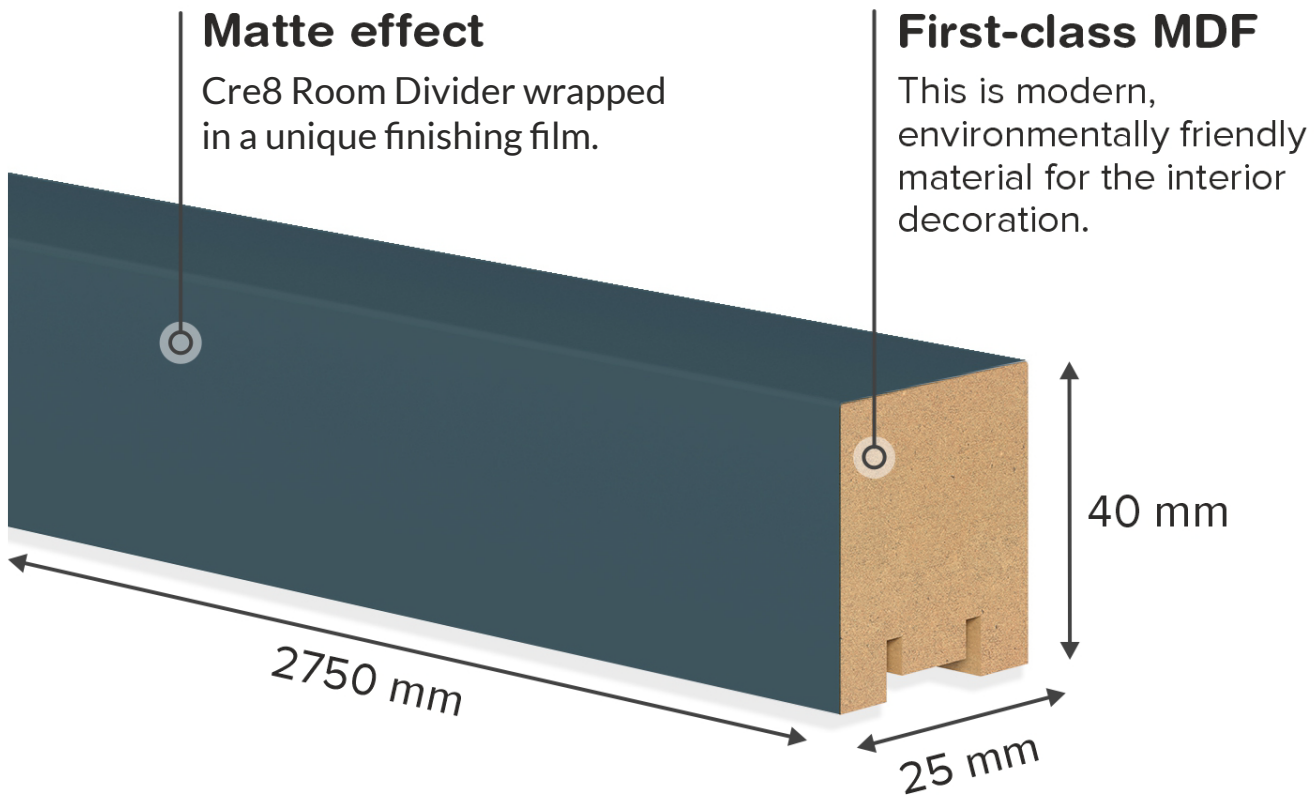
## KEY POINTS

- To be stored indoors (temperatures +5°C to 35°C)
- Use indoors with a relative humidity of no more than 70%
- Don't use near open fire
- Don't expose to water or direct sunlight
- Acclimatise product prior to installation for 24 hours
- Formaldehyde - E1

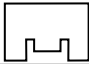




# Cre8 Room Divider Specification



## TECHNICAL PROPERTIES

Per Package	8 Pcs
Size(mm)	2750 x 40 x 25
Color	Ocean Blue
Installation	x2 Mounting Plates Required Per Slat
Profile	
Substrate	MDF
Weight	14 Kg

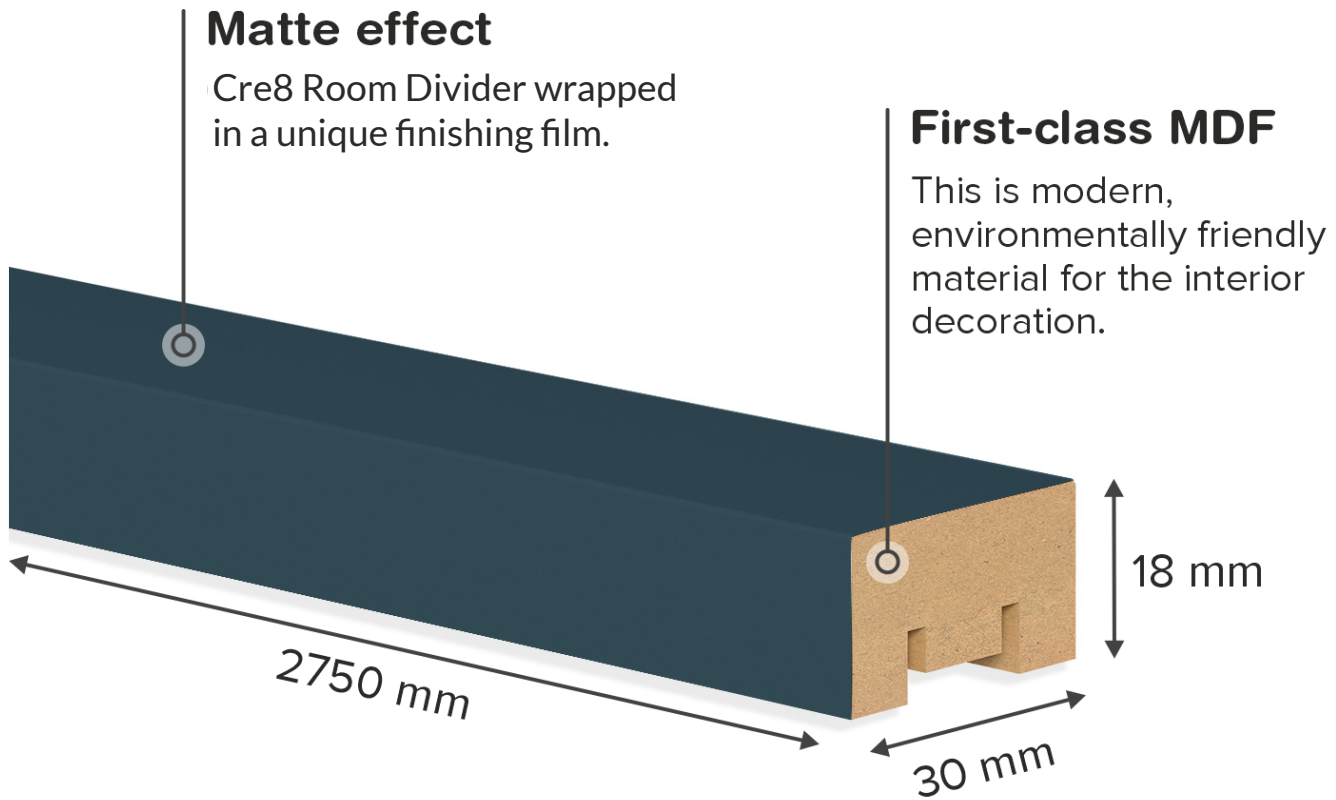
## KEY POINTS

- To be stored indoors (temperatures +5°C to 35°C)
- Use indoors with a relative humidity of no more than 70%
- Don't use near open fire
- Don't expose to water or direct sunlight
- Acclimatise product prior to installation for 24 hours
- Formaldehyde - E1

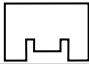




# Cre8 Room Divider Specification



## TECHNICAL PROPERTIES

Per Package	16 Pcs
Size(mm)	2750 x 30 x 18
Color	Ocean Blue
Installation	x2 Mounting Plates Required Per Slat
Profile	
Substrate	MDF
Weight	14 Kg

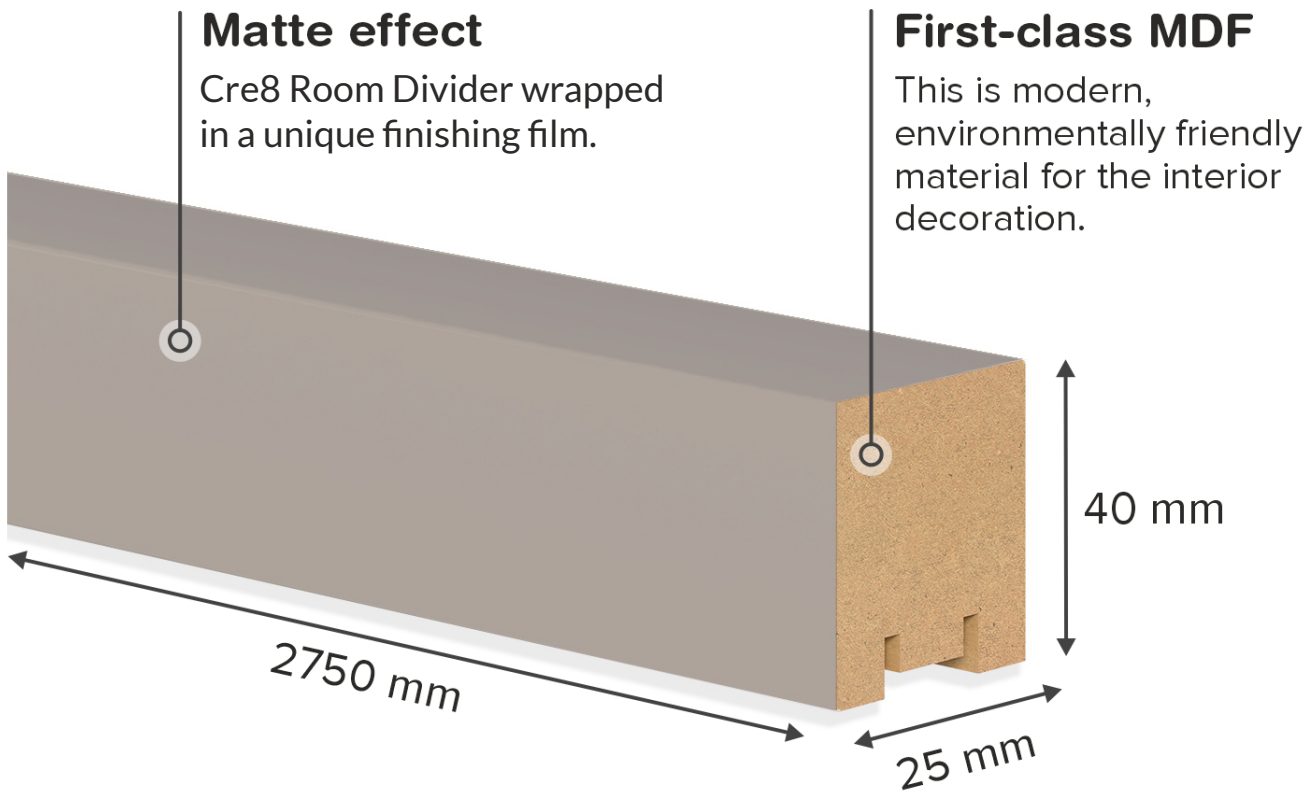
## KEY POINTS

- To be stored indoors (temperatures +5°C to 35°C)
- Use indoors with a relative humidity of no more than 70%
- Don't use near open fire
- Don't expose to water or direct sunlight
- Acclimatise product prior to installation for 24 hours
- Formaldehyde - E1

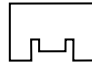




# Cre8 Room Divider Specification



## TECHNICAL PROPERTIES

Per Package	8 Pcs
Size(mm)	2750 x 40 x 25
Color	Stone Grey
Installation	x2 Mounting Plates Required Per Slat
Profile	
Substrate	MDF
Weight	14 Kg

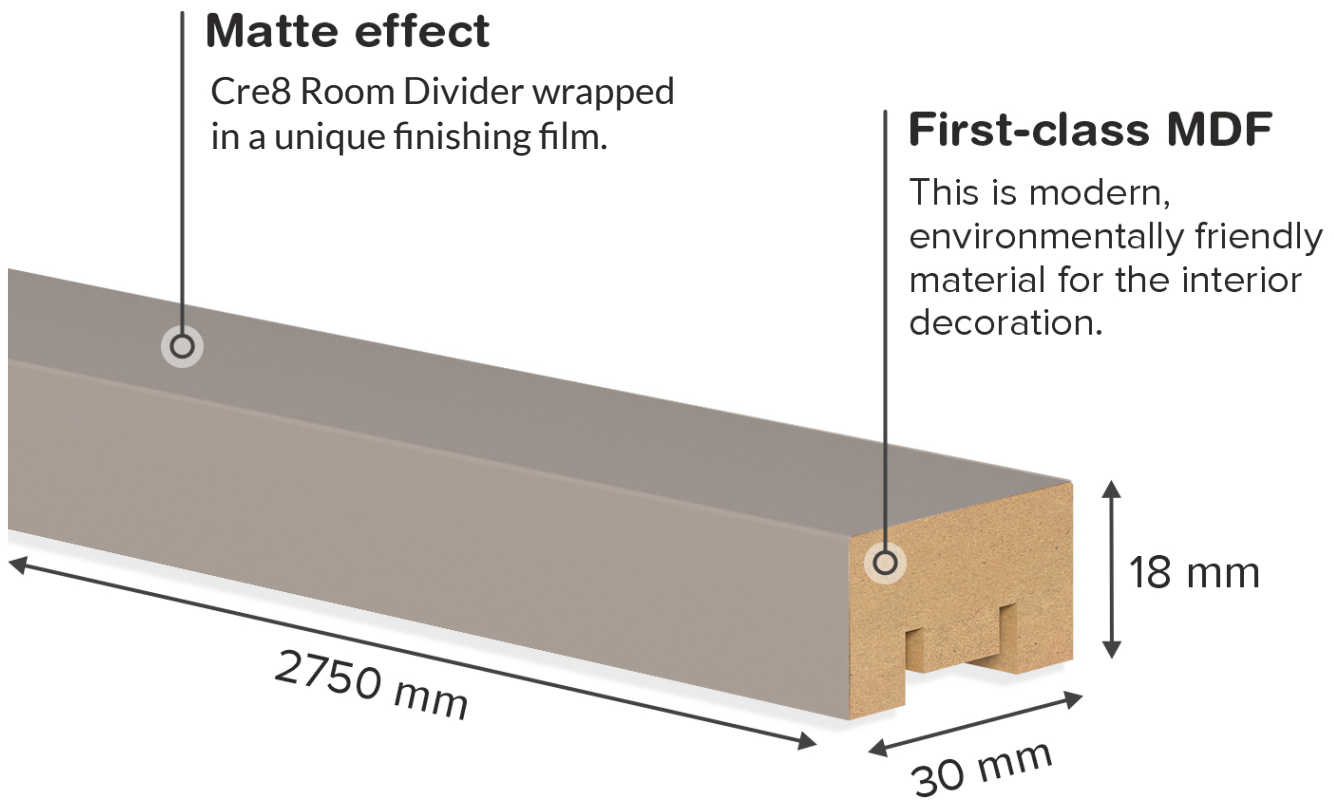
## KEY POINTS

- To be stored indoors (temperatures +5°C to 35°C)
- Use indoors with a relative humidity of no more than 70%
- Don't use near open fire
- Don't expose to water or direct sunlight
- Acclimatise product prior to installation for 24 hours
- Formaldehyde - E1

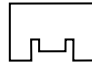




# Cre8 Room Divider Specification



## TECHNICAL PROPERTIES

Per Package	16 Pcs
Size(mm)	2750 x 30 x 18
Color	Stone Grey
Installation	x2 Mounting Plates Required Per Slat
Profile	
Substrate	MDF
Weight	14 Kg

## KEY POINTS

- To be stored indoors (temperatures +5°C to 35°C)
- Use indoors with a relative humidity of no more than 70%
- Don't use near open fire
- Don't expose to water or direct sunlight
- Acclimatise product prior to installation for 24 hours
- Formaldehyde - E1

