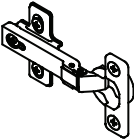








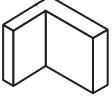
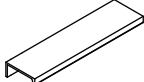
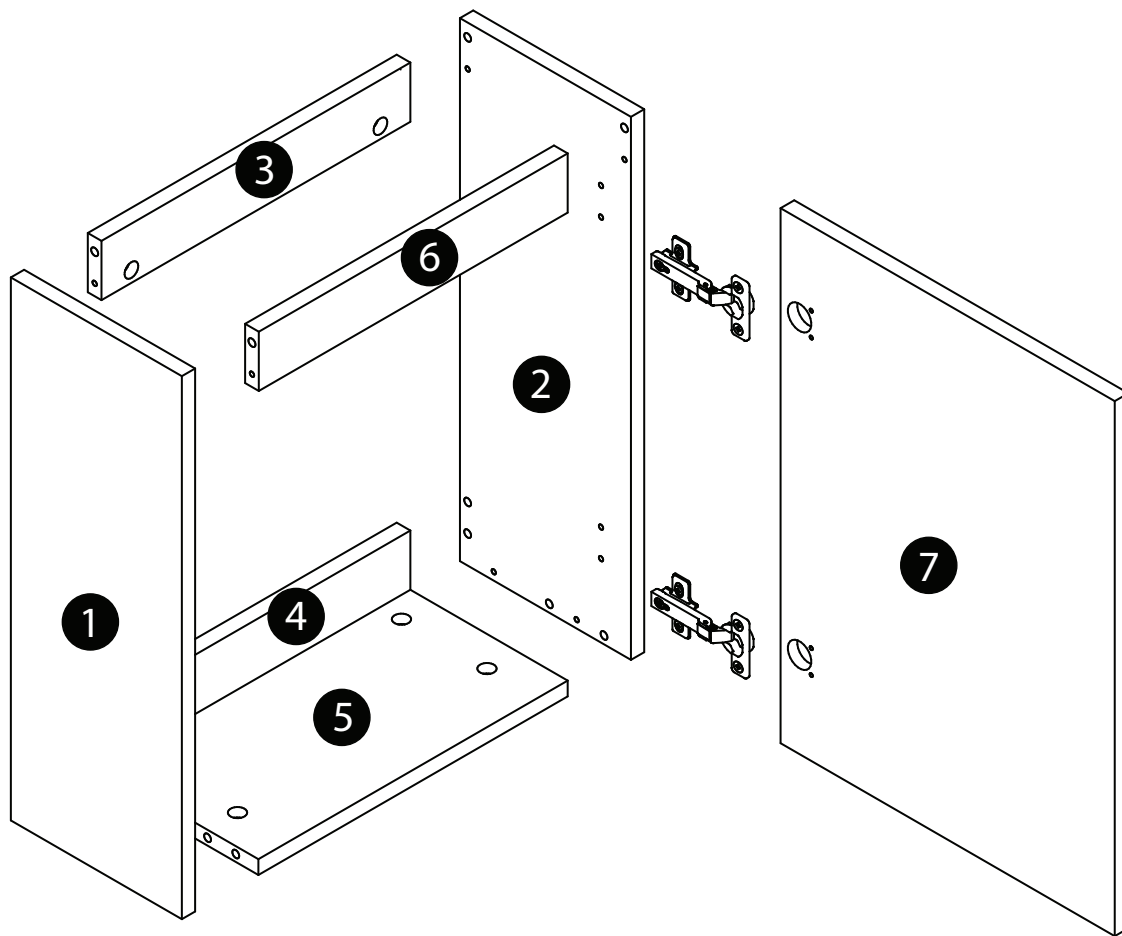
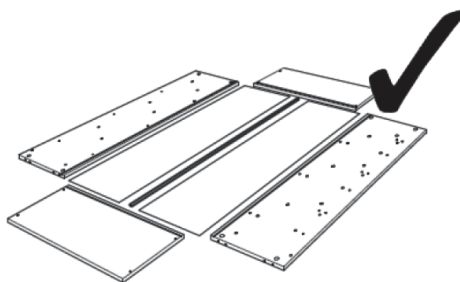
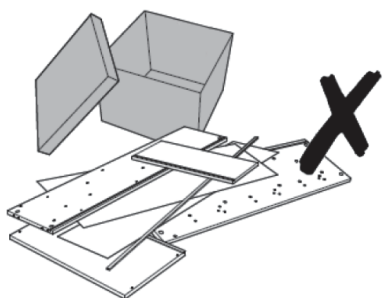


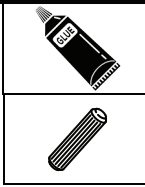
A  \varnothing 26 mm x 2	B  \varnothing 15x12.5 mm x 8	C  \varnothing 7.5x44 mm x 8	D  \varnothing 20x0.5 mm x 12
E  15 ml. x 1	F  \varnothing 8x30 mm x 12	G  \varnothing 3.5x16 mm x 10	H  \varnothing 8x40 mm x 2
I  \varnothing 5x50 mm x 2	J  50x45x35 mm x 2	K  40x150x18 mm x 1	



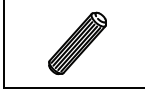
1



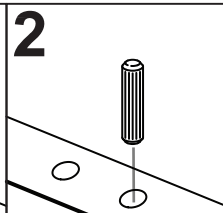
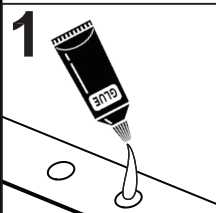
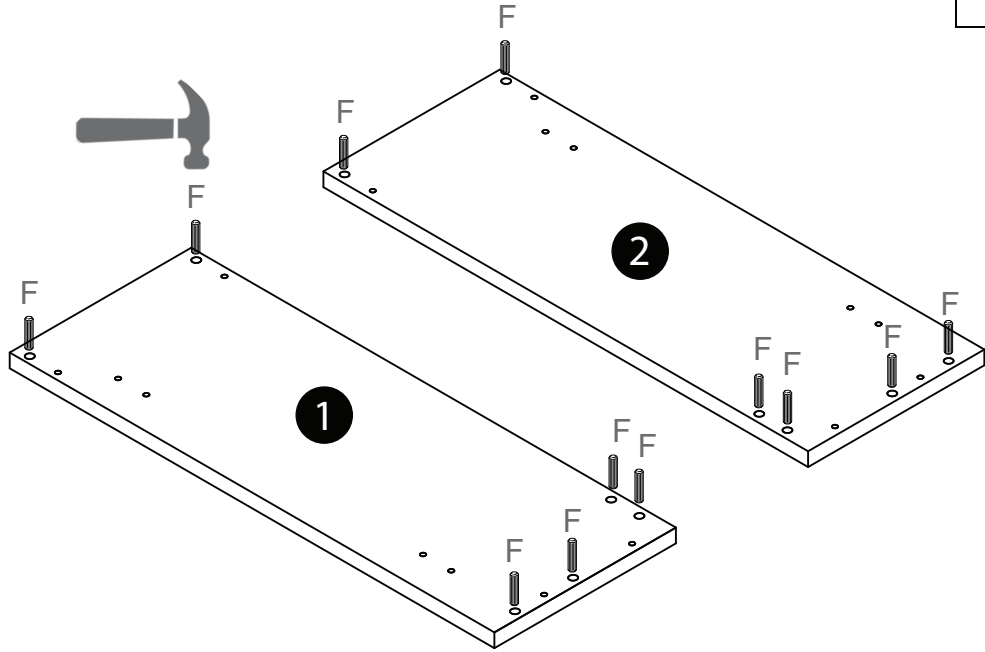
2



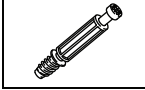
E
15 ml.



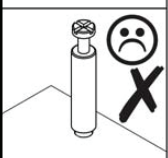
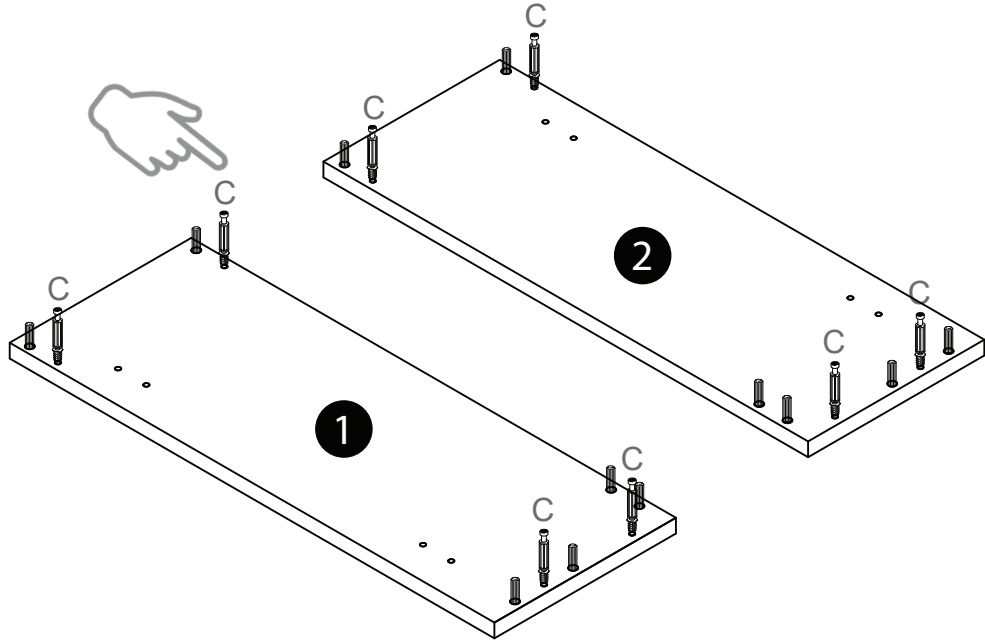
F
x12



3



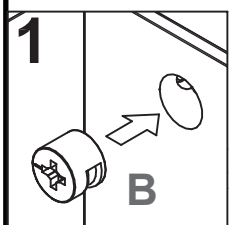
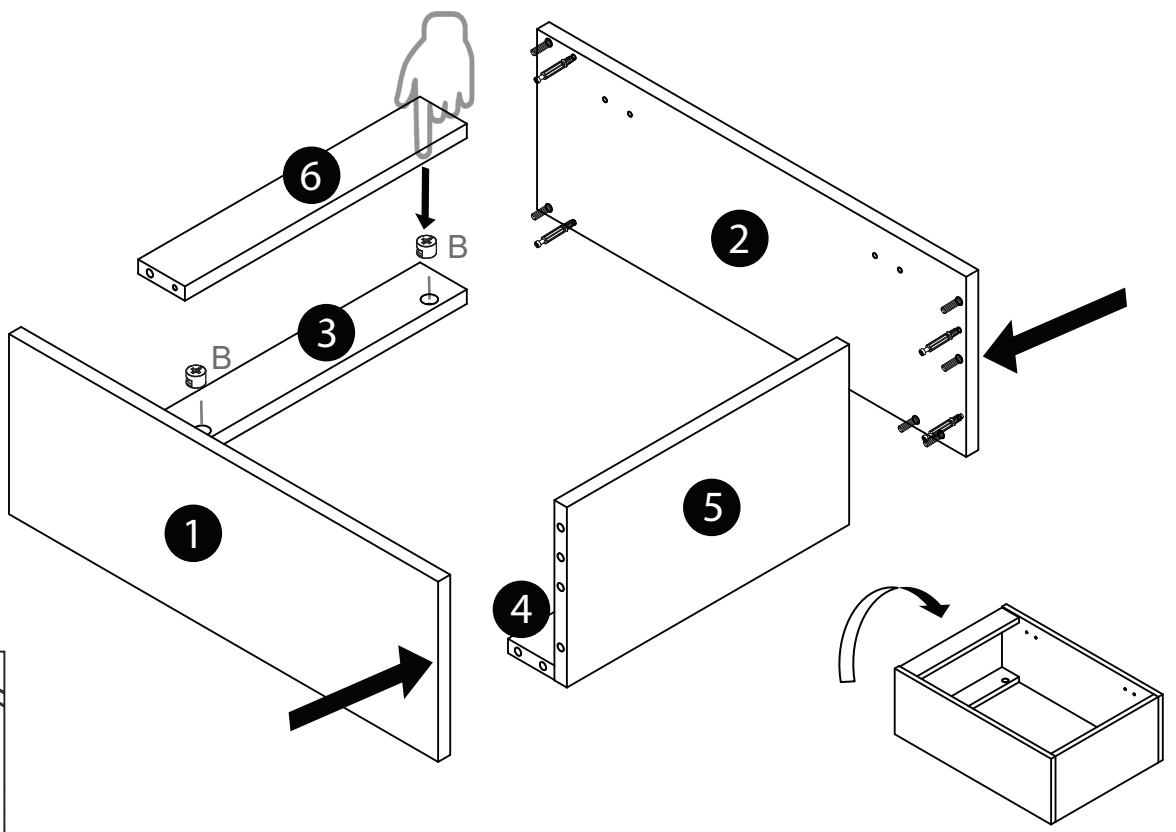
C
x8



4

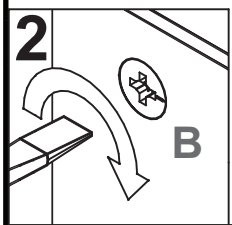
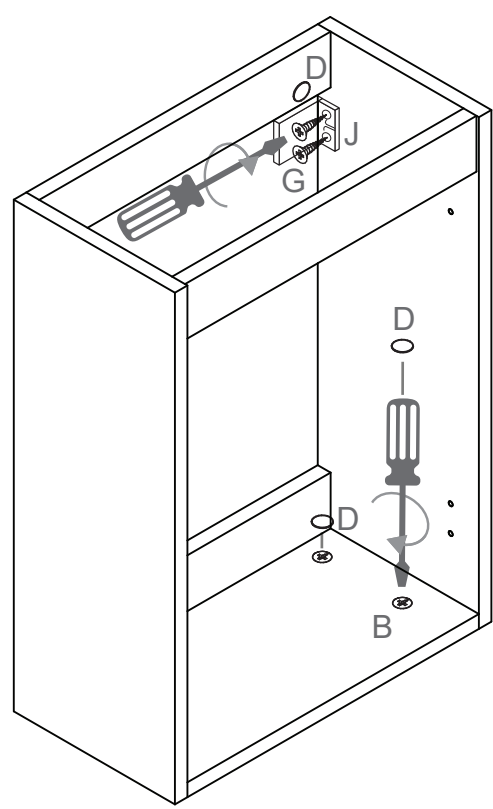


B
x8





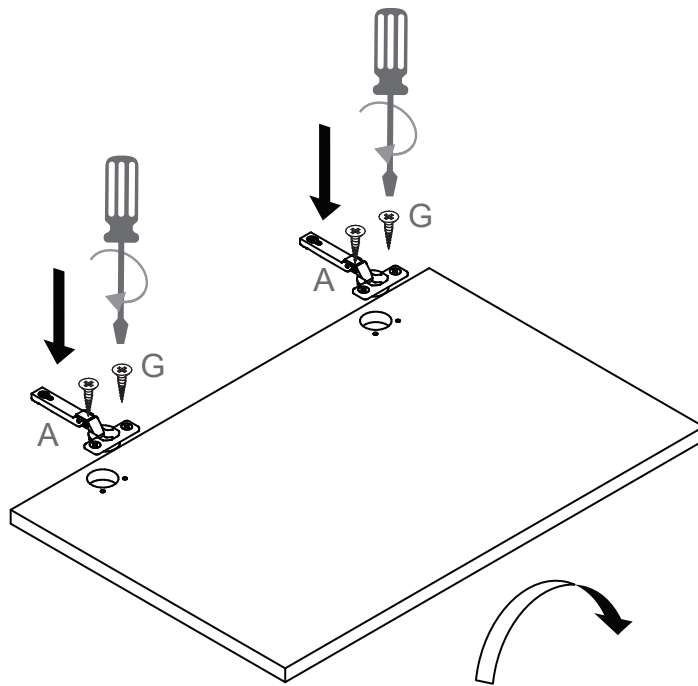
5

	J x2
	D x8
	G x4

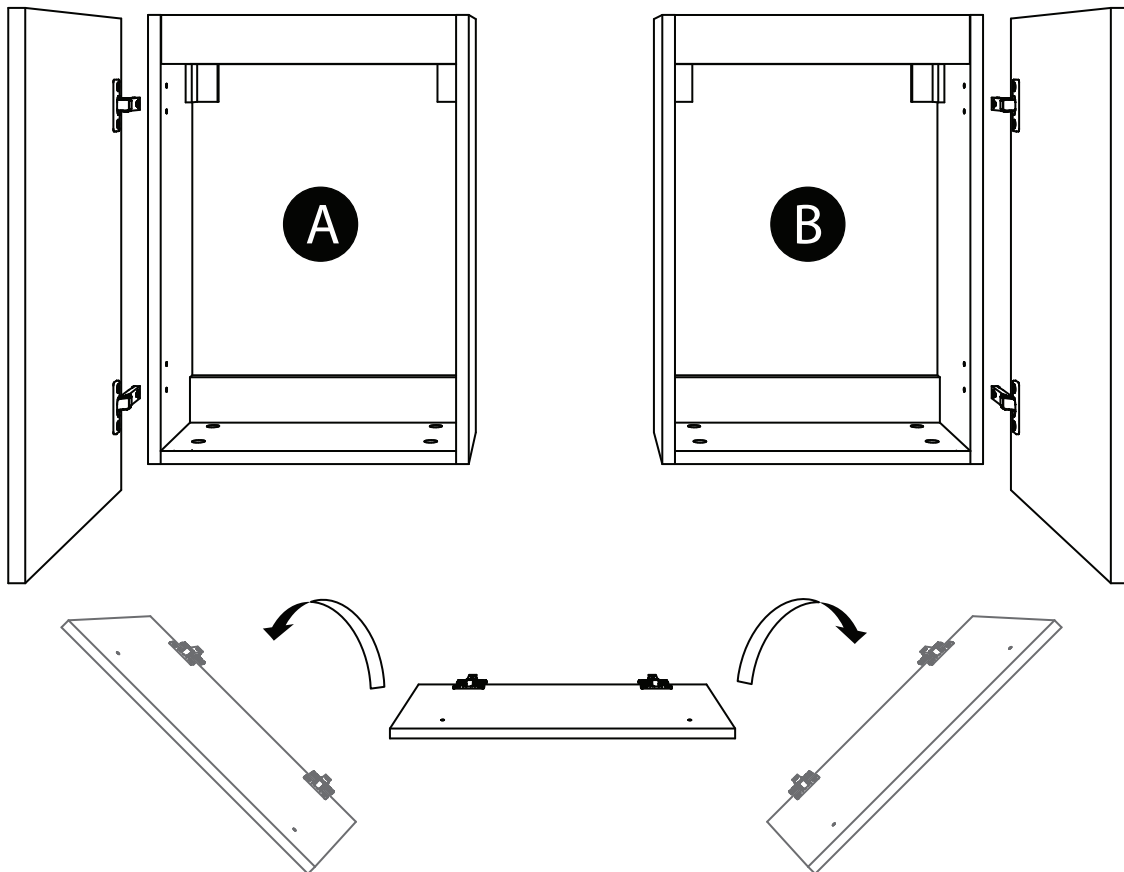


6

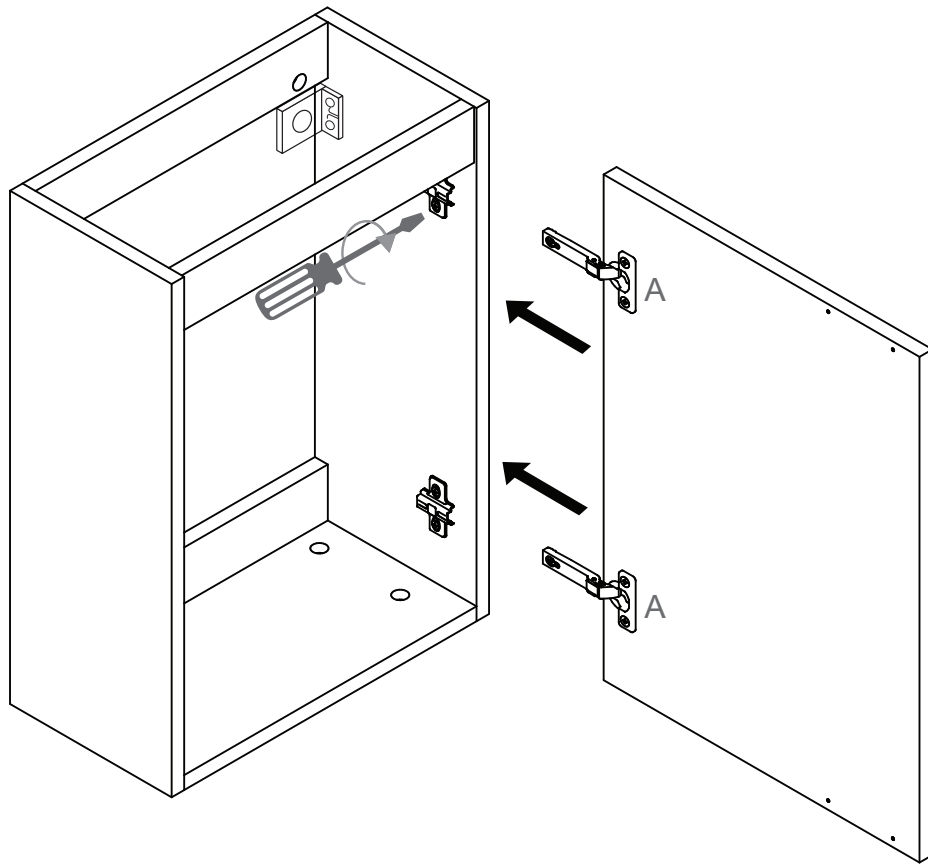
	A x2
	G x4



7

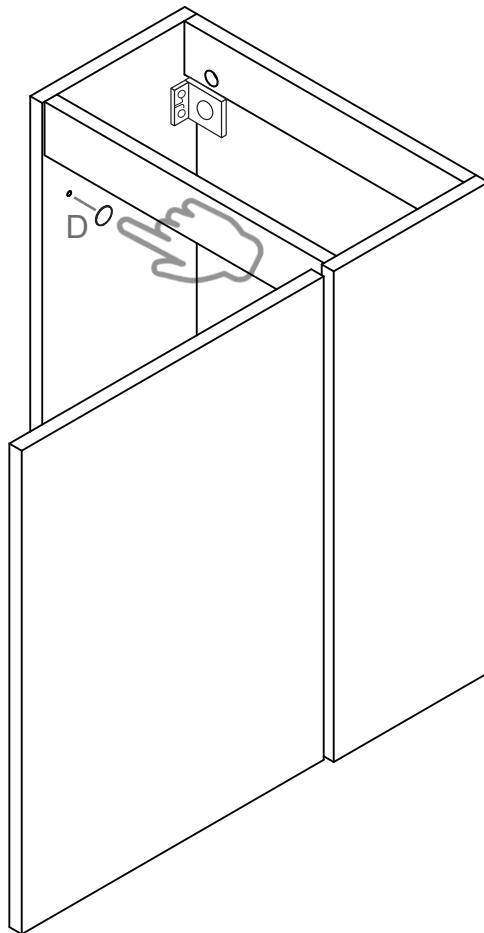


8



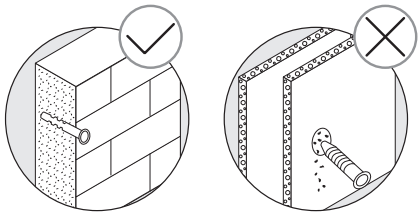
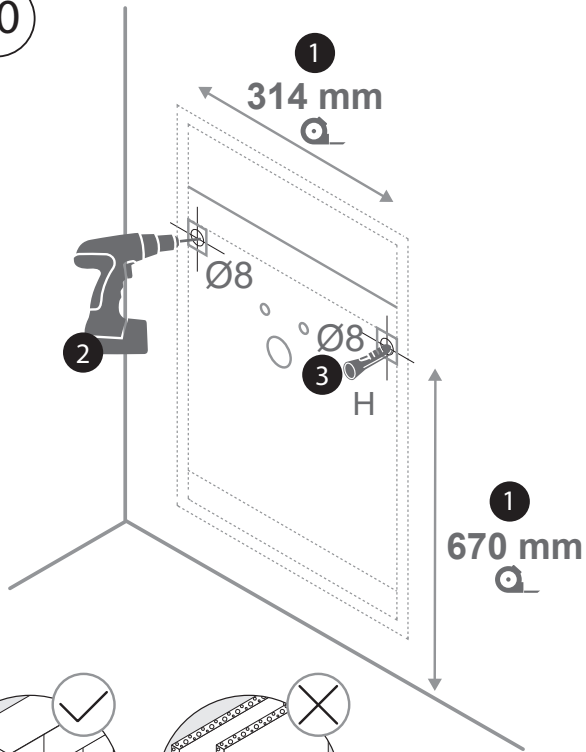
9

○
D
x4



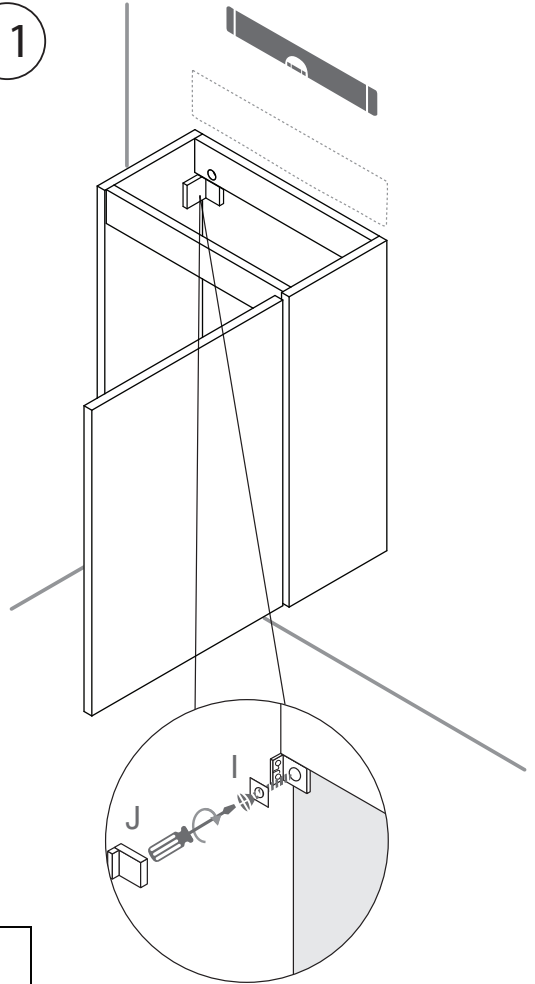


10

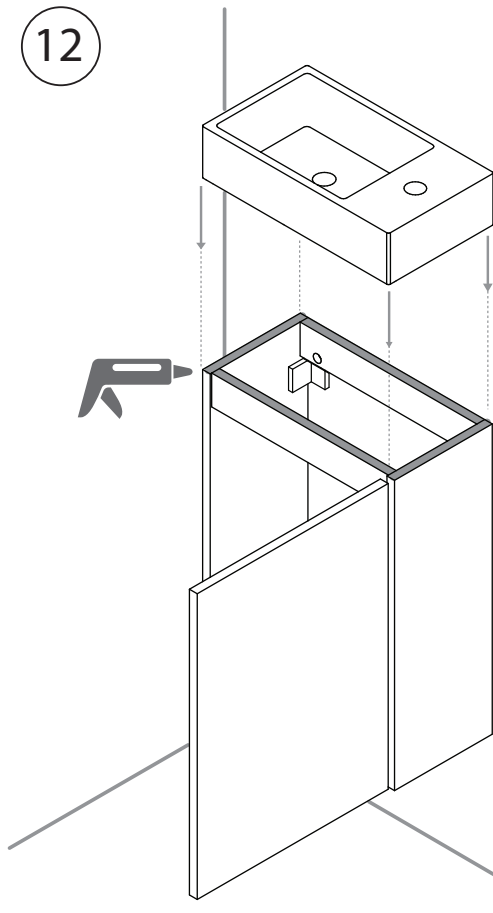


	H x2		I x2		J x2
--	---------	--	---------	--	---------

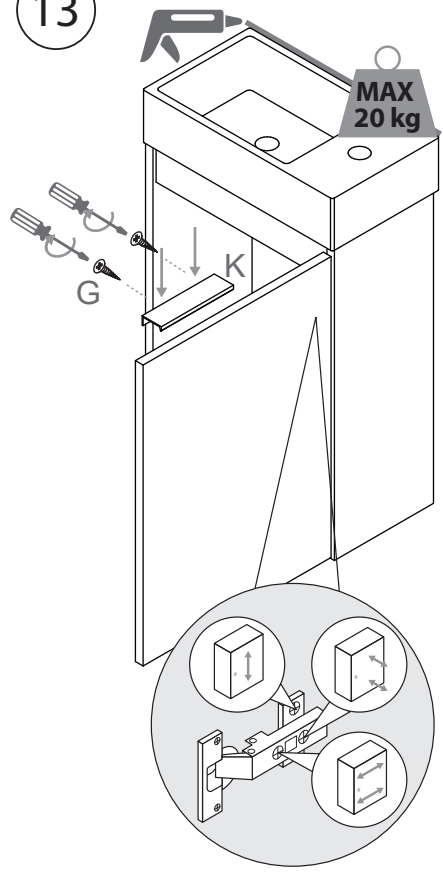
11



12



13



	G x2		K x1
--	---------	--	---------