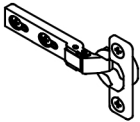








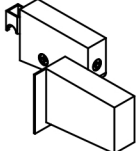




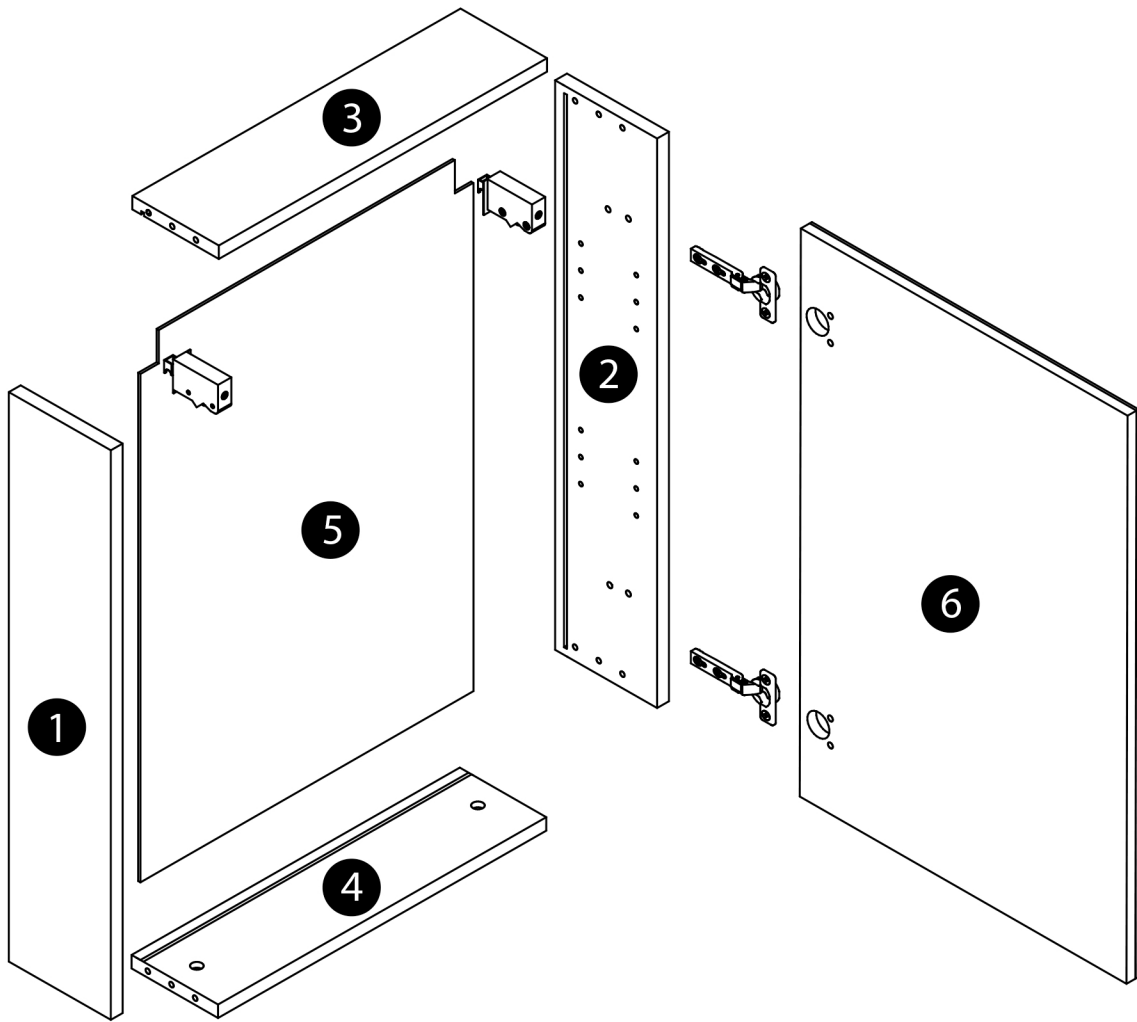
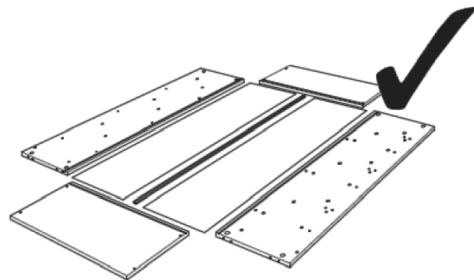
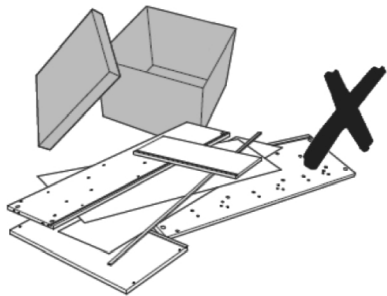


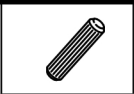
A \varnothing 35 mm  x 2	B \varnothing 15x12.5 mm  x 4	C \varnothing 7.5x44 mm  x 4	D 20x0.5 mm  x 8
E 15 ml.  x 1	F \varnothing 8x30 mm  x 8	G \varnothing 3.5x16 mm  x 4	H \varnothing 8x40 mm  x 2
I 5,5x50 mm  x 2	J 85x40x25 mm  x 2	K 14x14x12 mm  x 4	L \varnothing 5x10 mm  x 8
M \varnothing 3.5x30 mm  x 4	N \varnothing 4x12 mm  x 4		



1



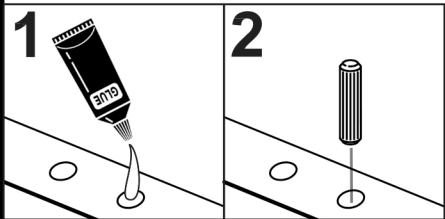
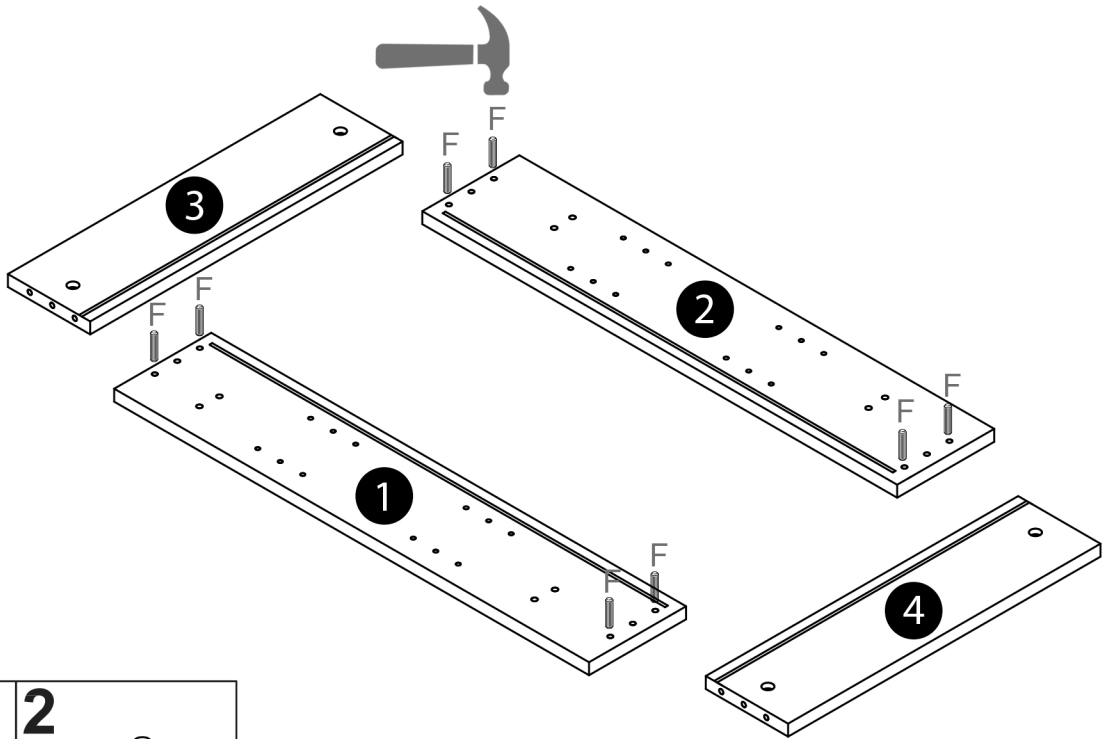
2



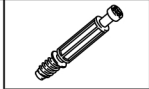
F
x8



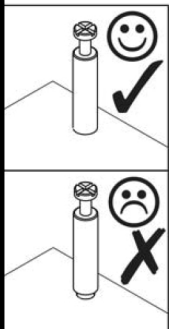
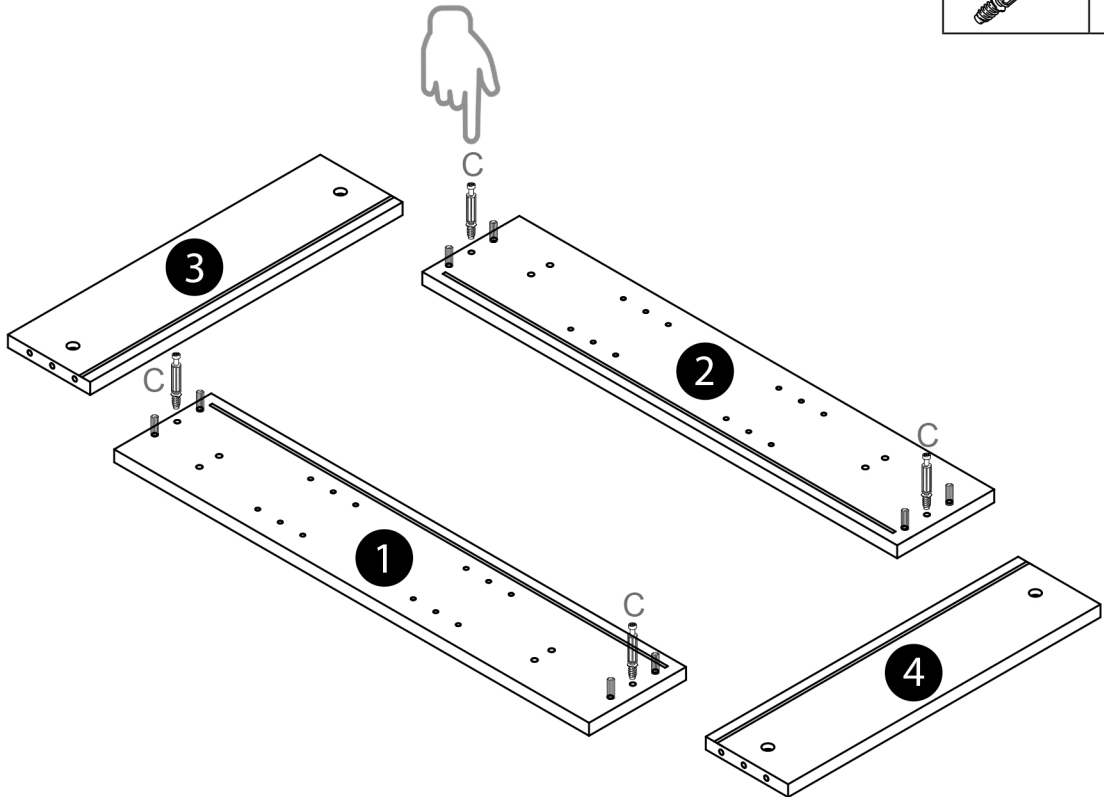
E
15 ml.



3



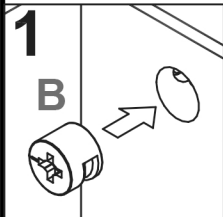
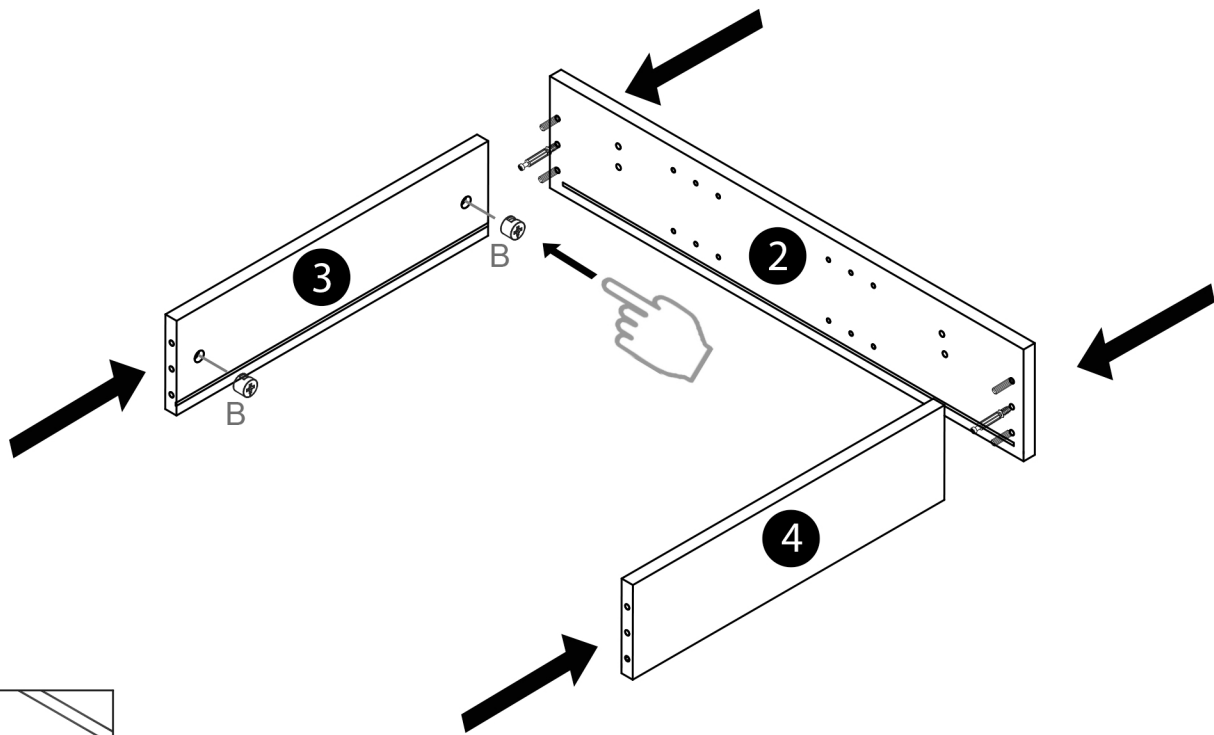
C
x4



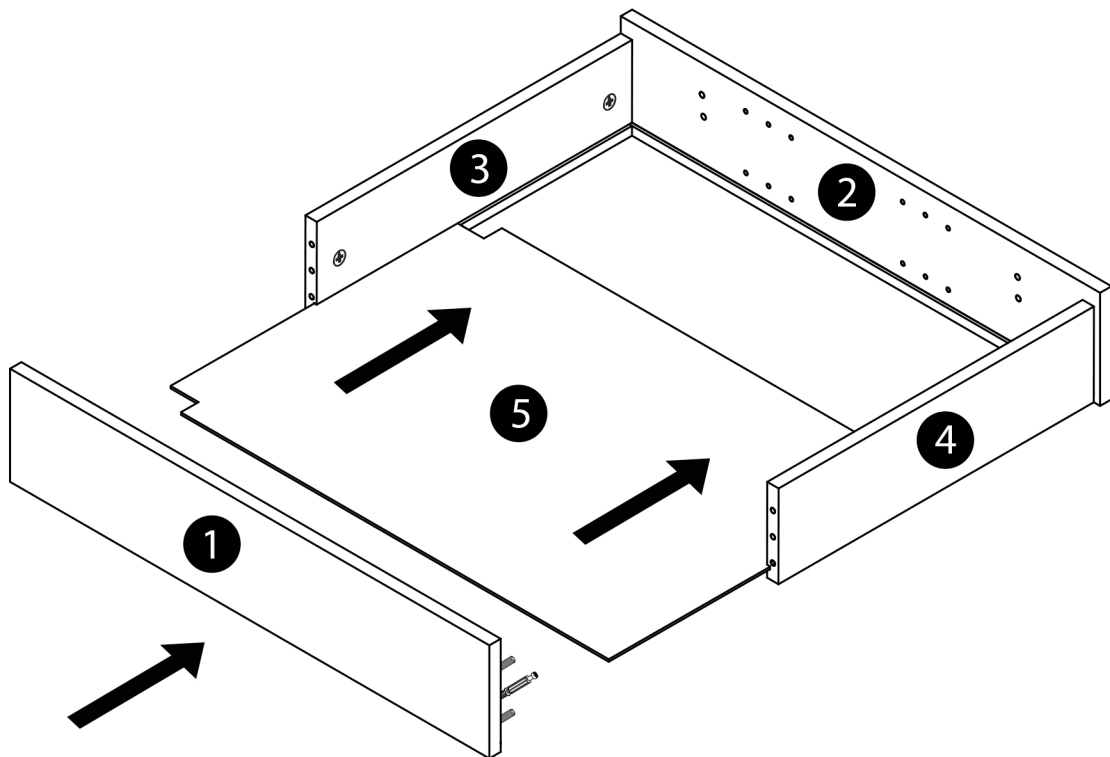
4



B
x4



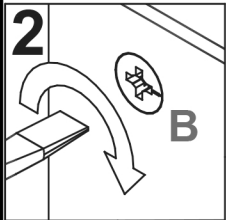
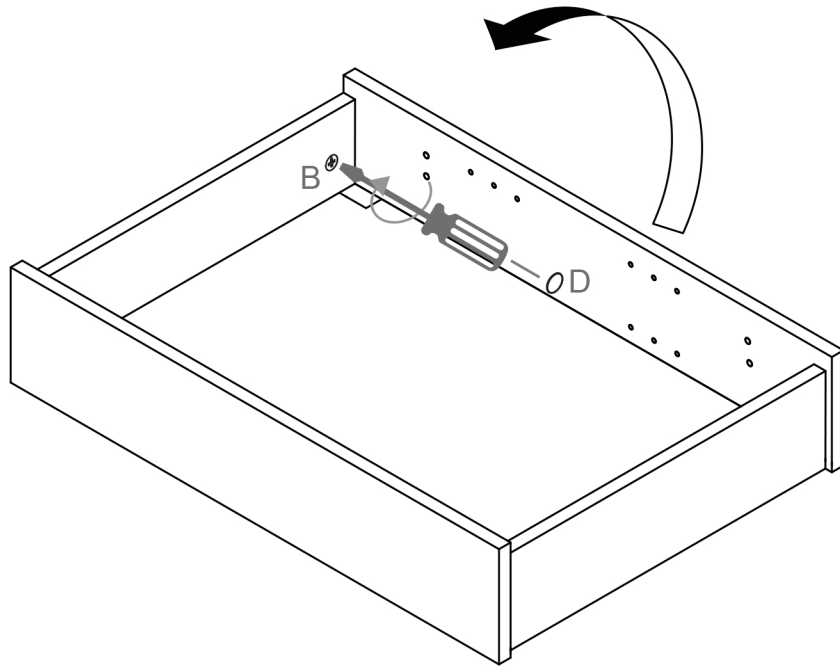
5



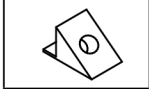
6



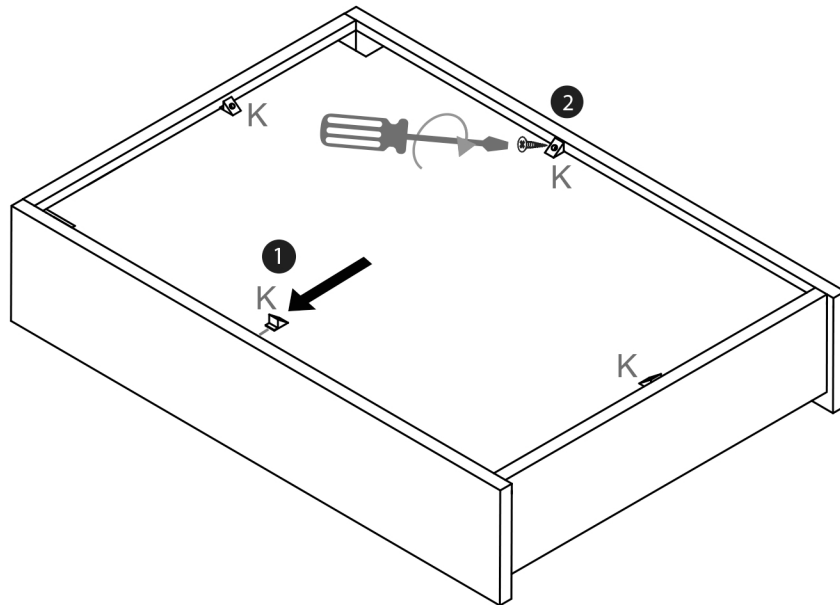
D
x4



7



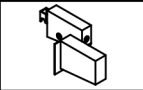
K
x4



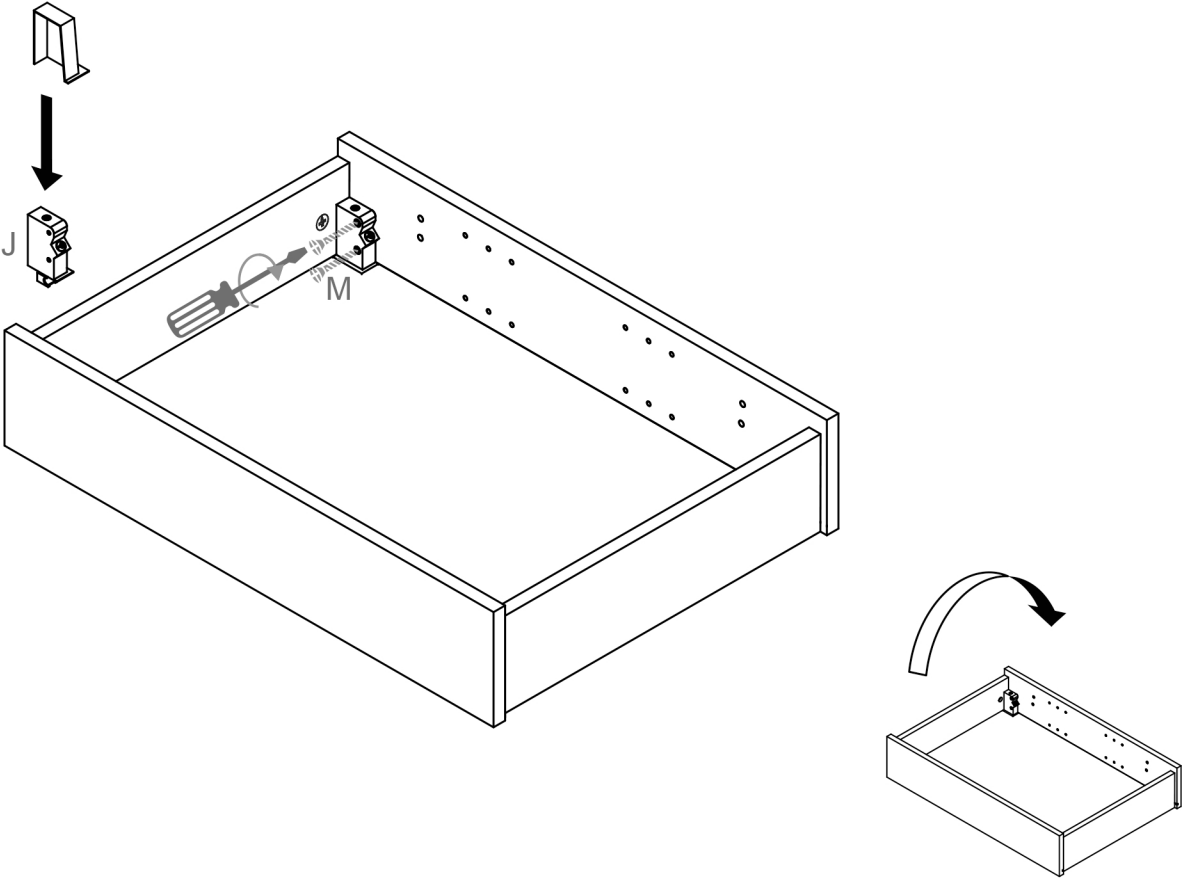
8



M
x4



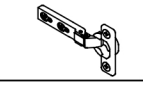
J
x2



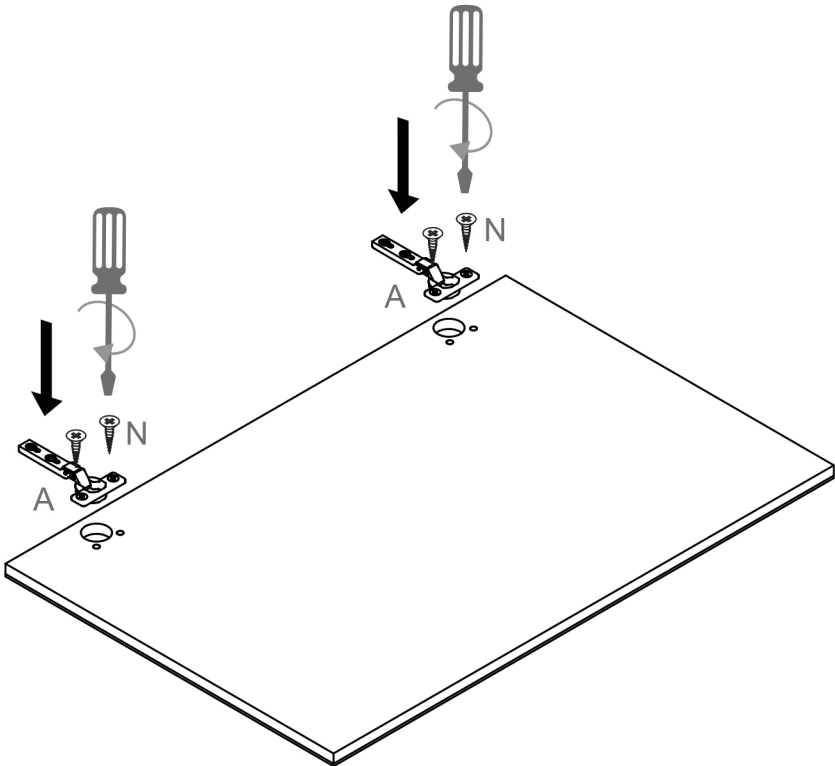
9



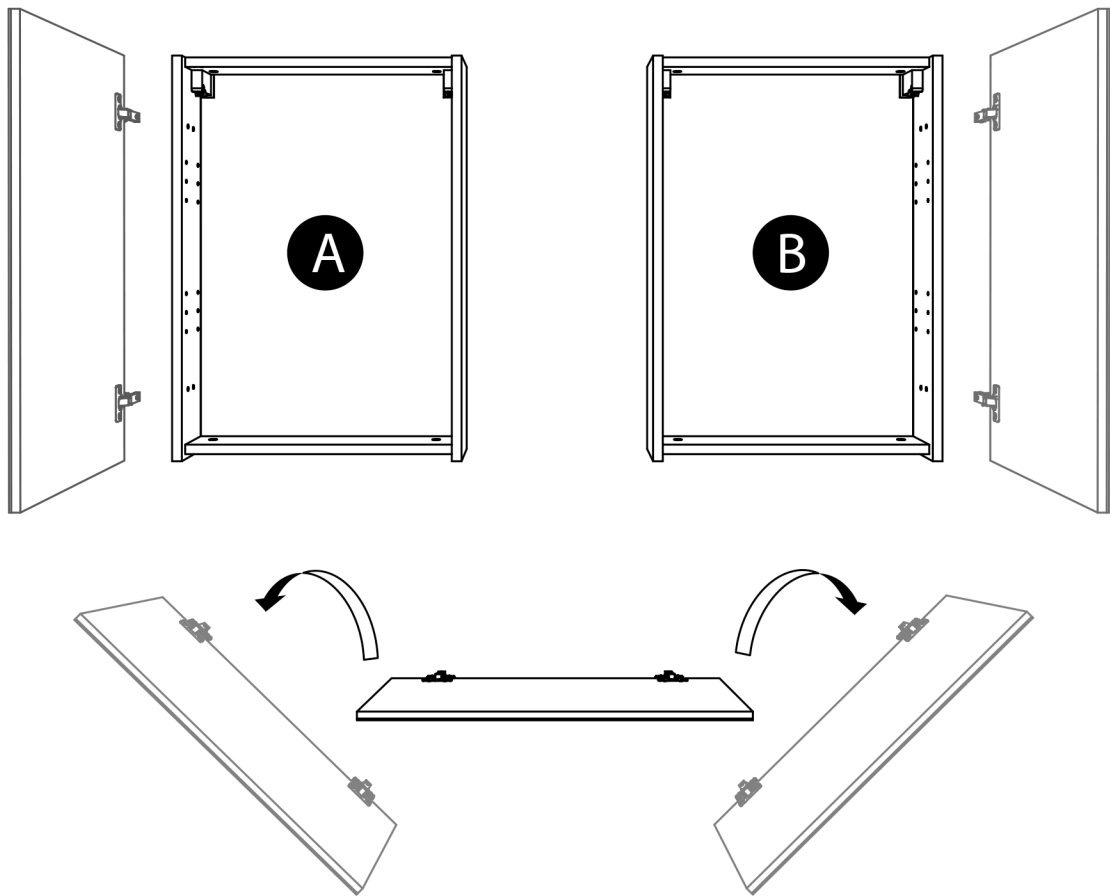
N
x4



A
x2

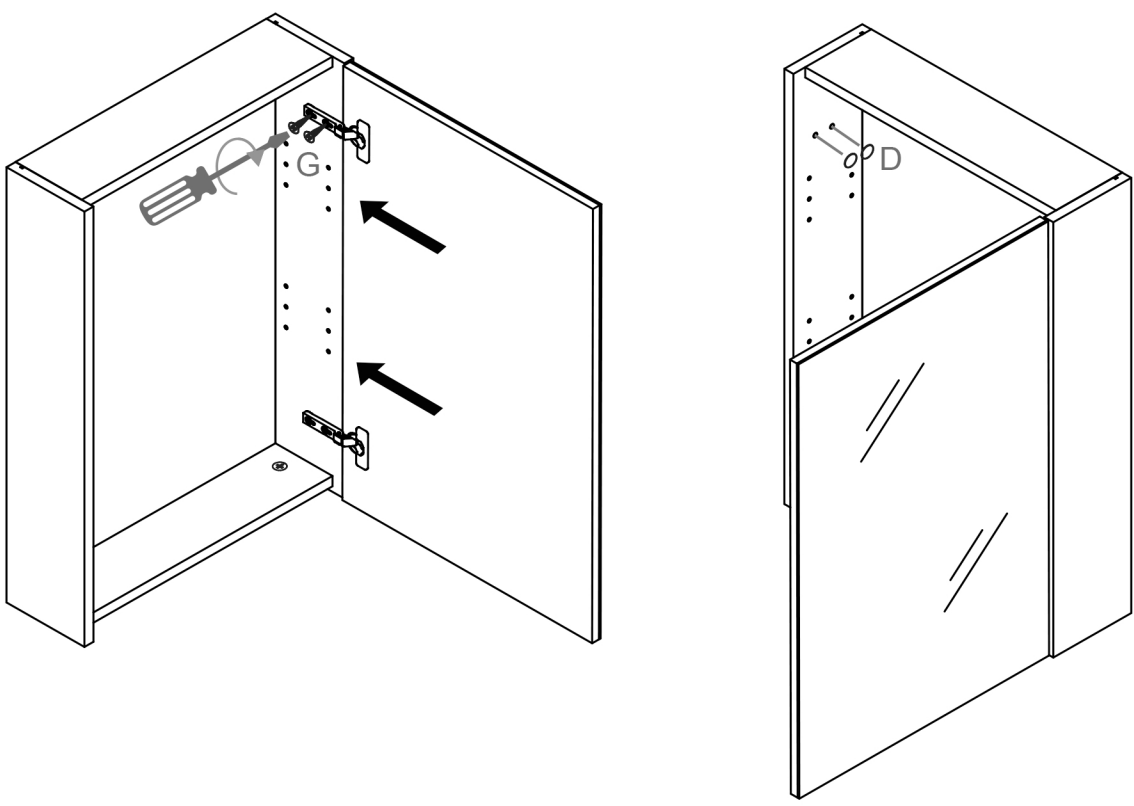


10



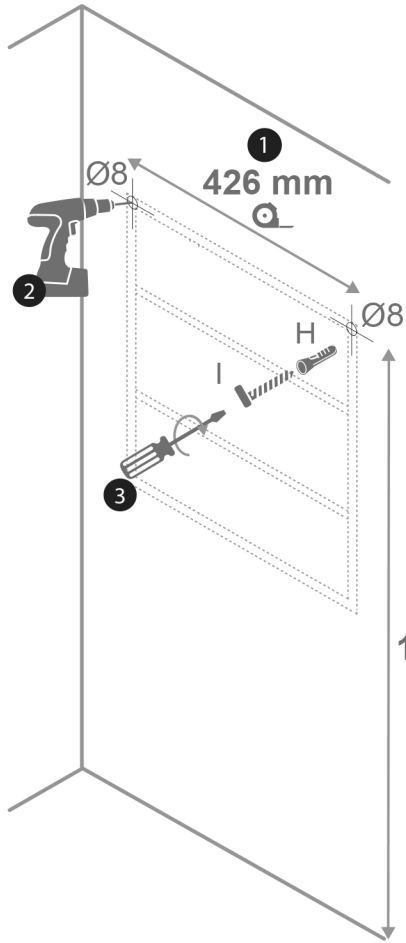
11

- | | | | |
|--|----------------|---|----------------|
|  | G
x4 |  | D
x4 |
|--|----------------|---|----------------|



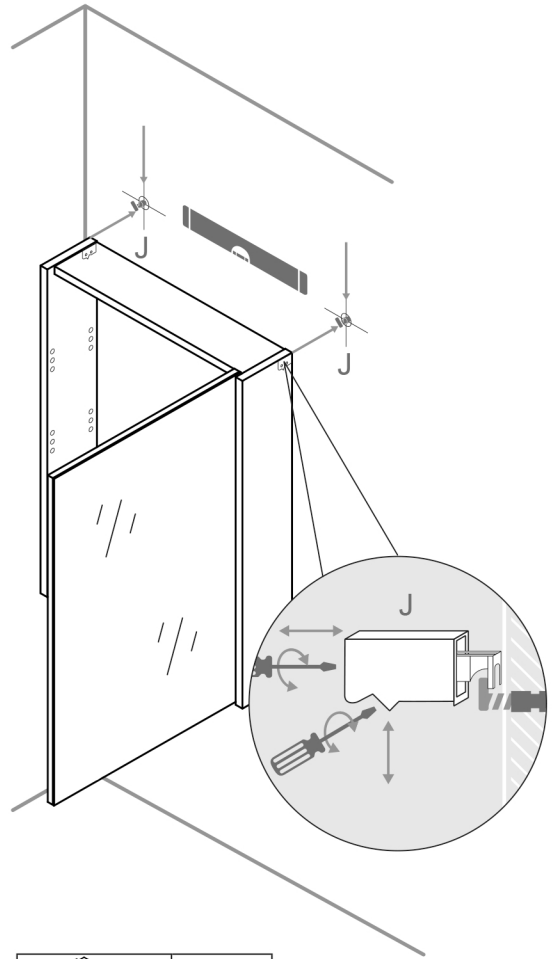


12



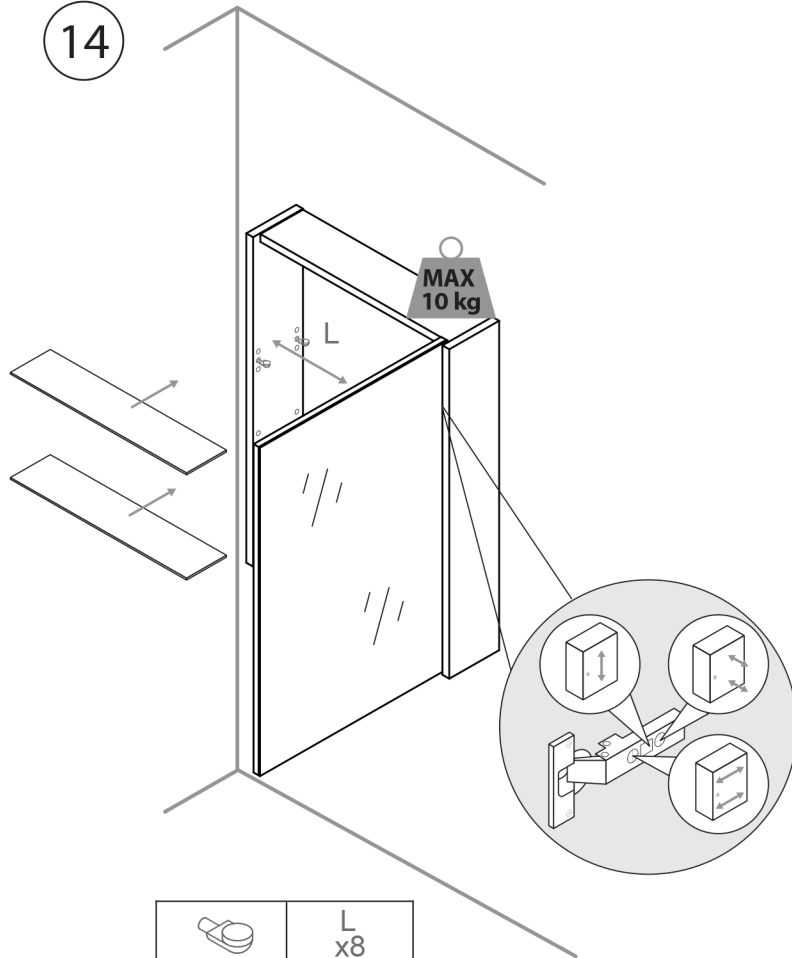
	H x2		I x2
--	---------	--	---------

13



	J x2
--	---------

14



	L x8
--	---------