














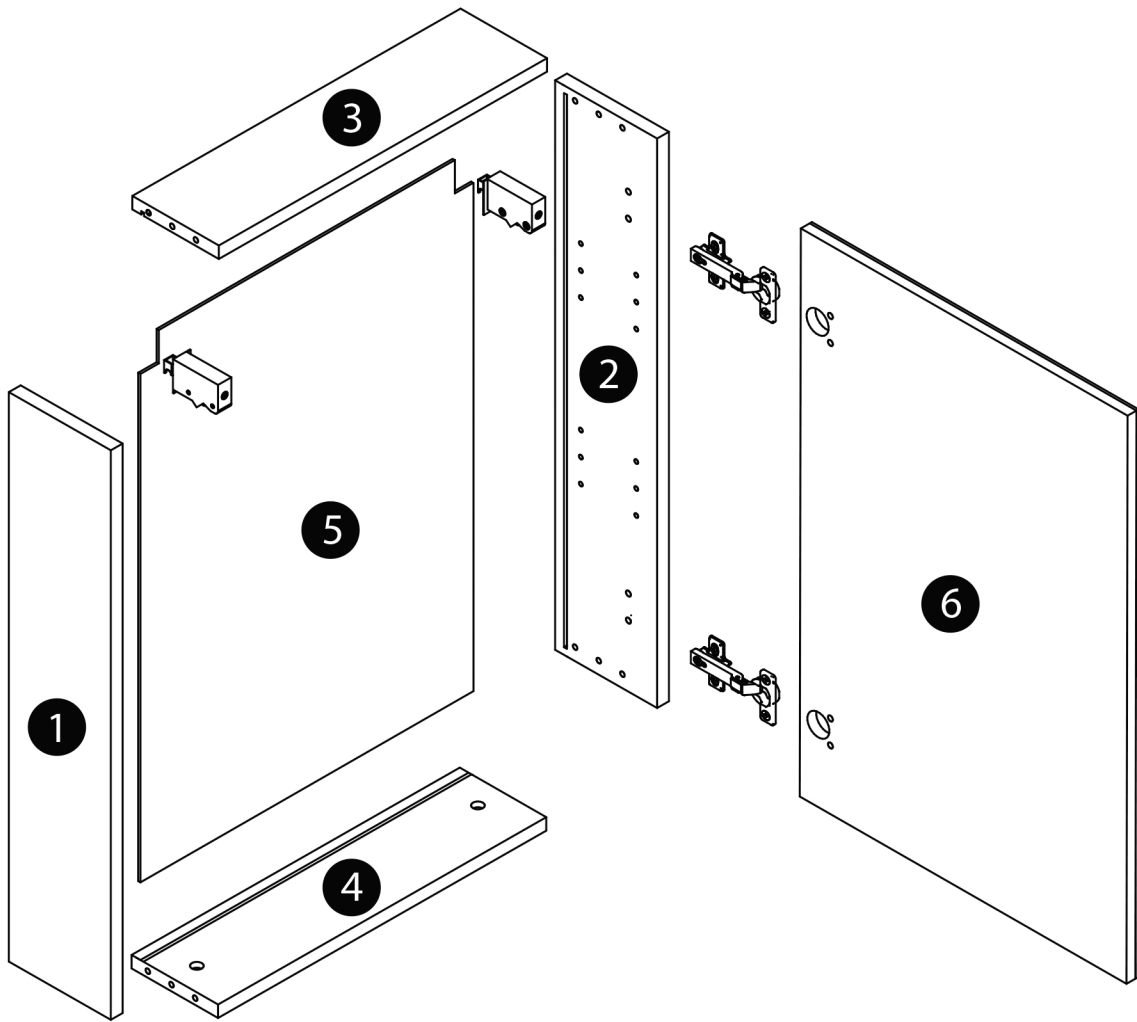
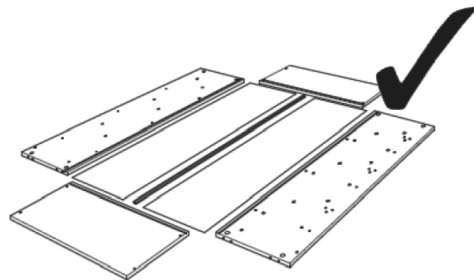
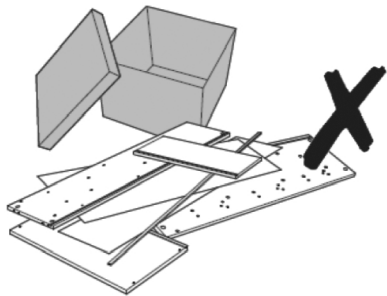


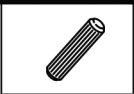
A \varnothing 26 mm  x 2	B \varnothing 15x12.5 mm  x 4	C \varnothing 7.5x44 mm  x 4	D 20x0.5 mm  x 8
E 15 ml.  x 1	F \varnothing 8x30 mm  x 8	G \varnothing 3.5x16 mm  x 4	H \varnothing 8x40 mm  x 2
I 5,5x50 mm  x 2	J 85x40x25 mm  x 2	K 14x14x12 mm  x 4	L \varnothing 5x10 mm  x 8
M 45x20x3 mm  x 1	N \varnothing 3.5x30 mm  x 4	O \varnothing 3.5x12 mm  x 4	



1



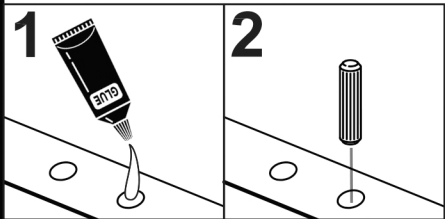
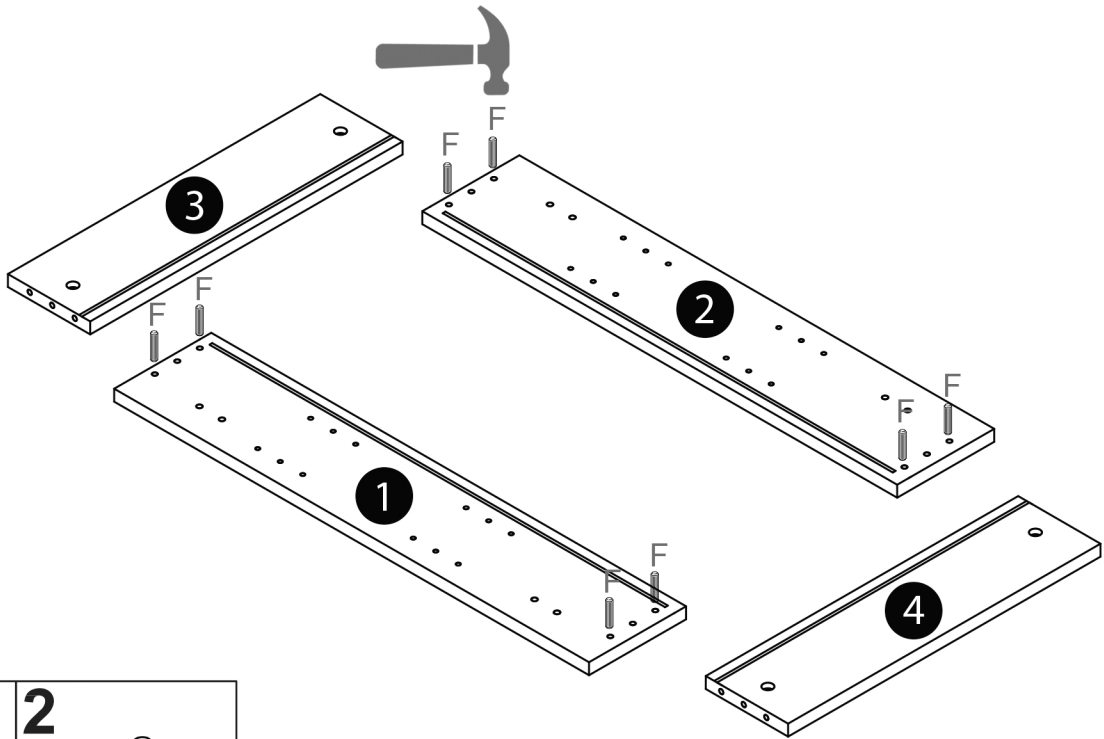
2



F
x8



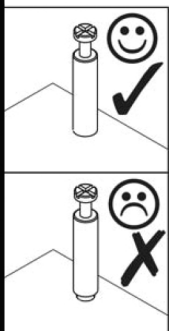
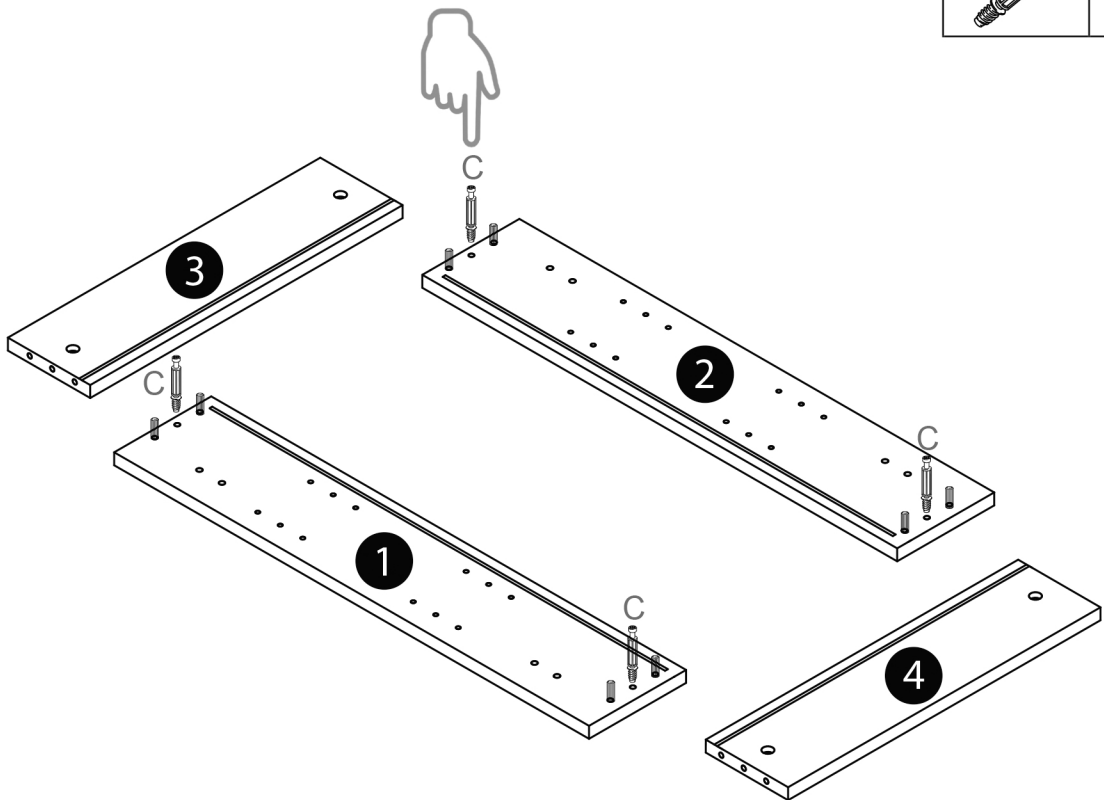
E
15 ml.



3



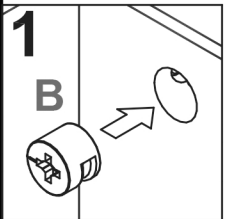
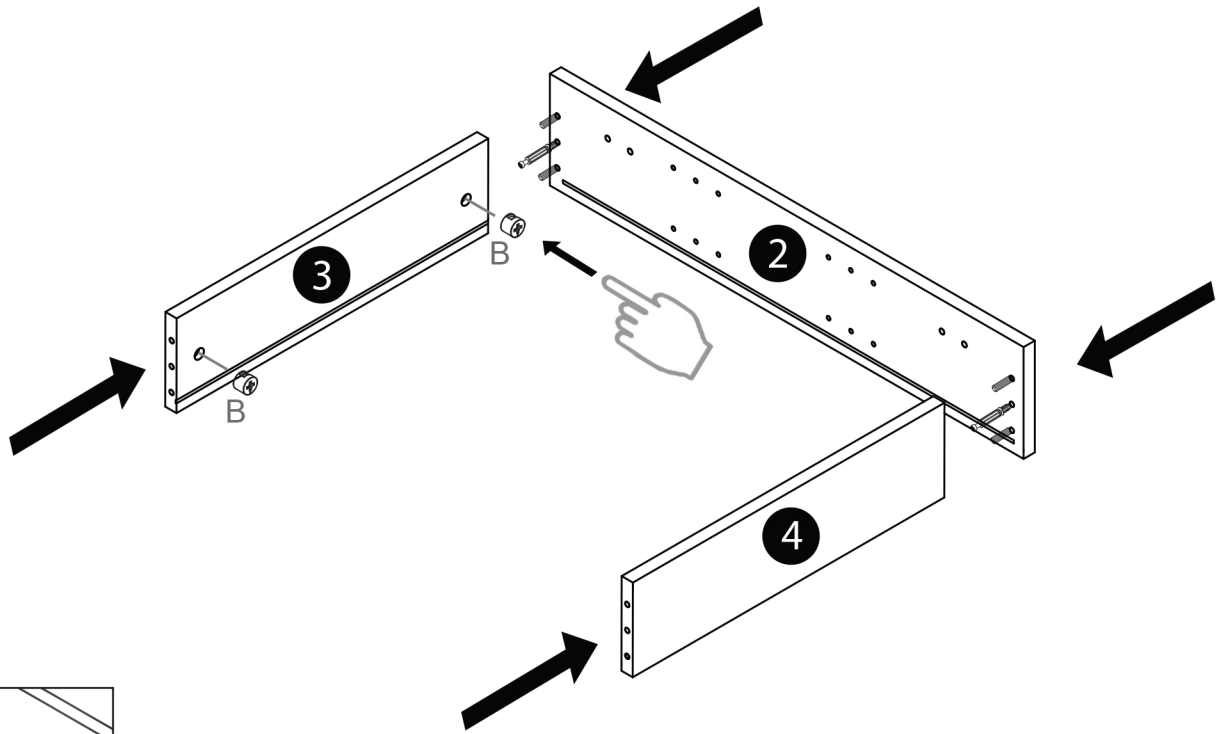
C
x4



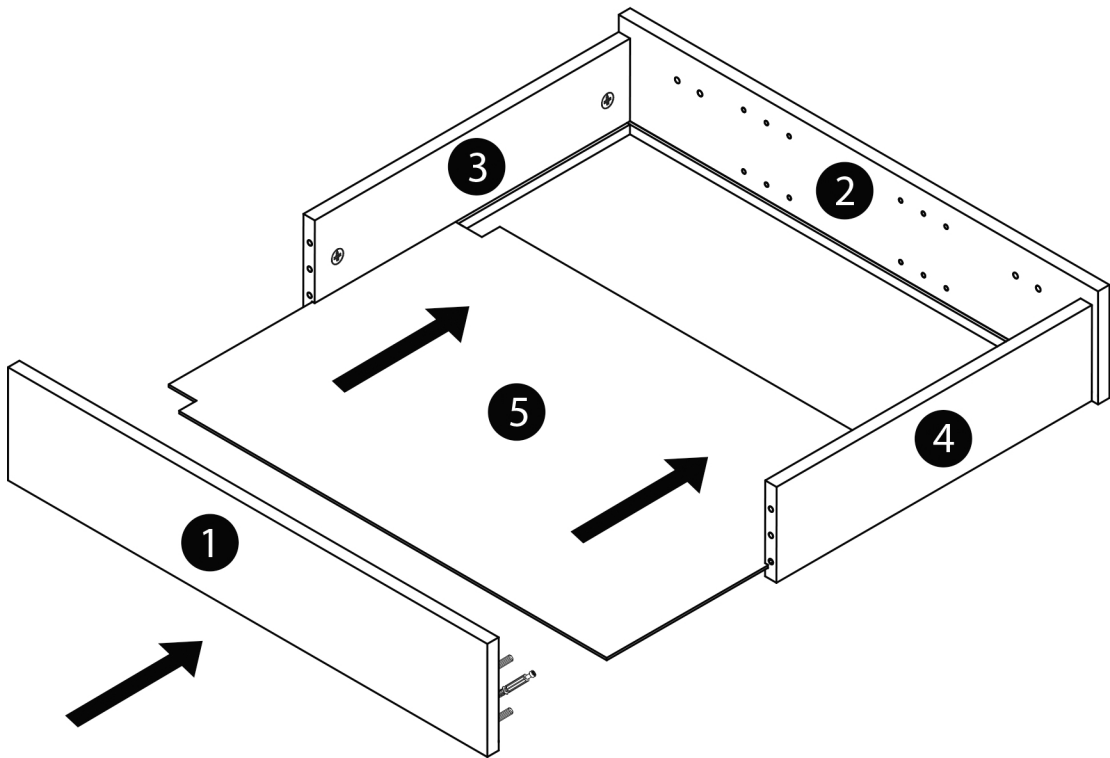
4



B
x4



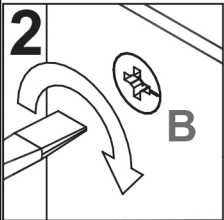
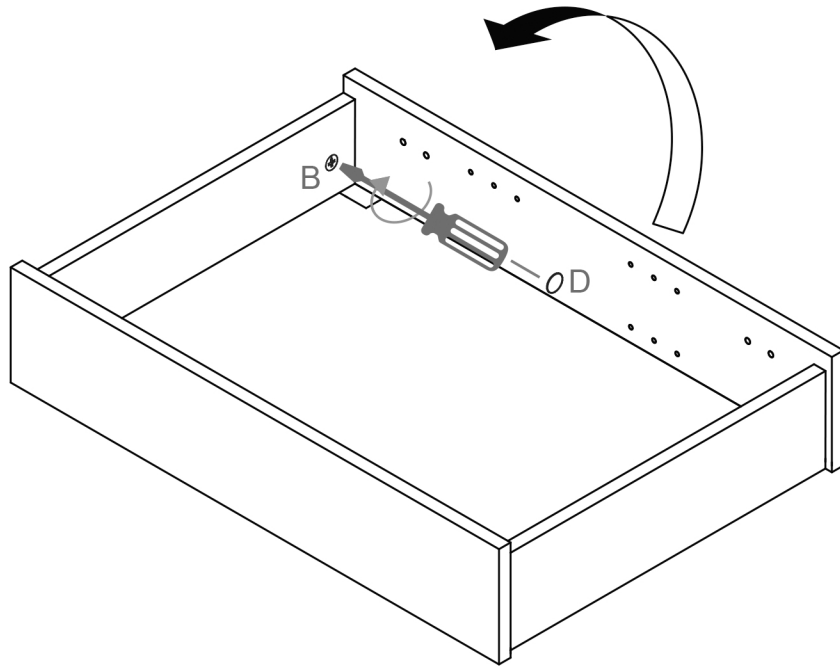
5



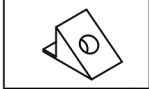
6



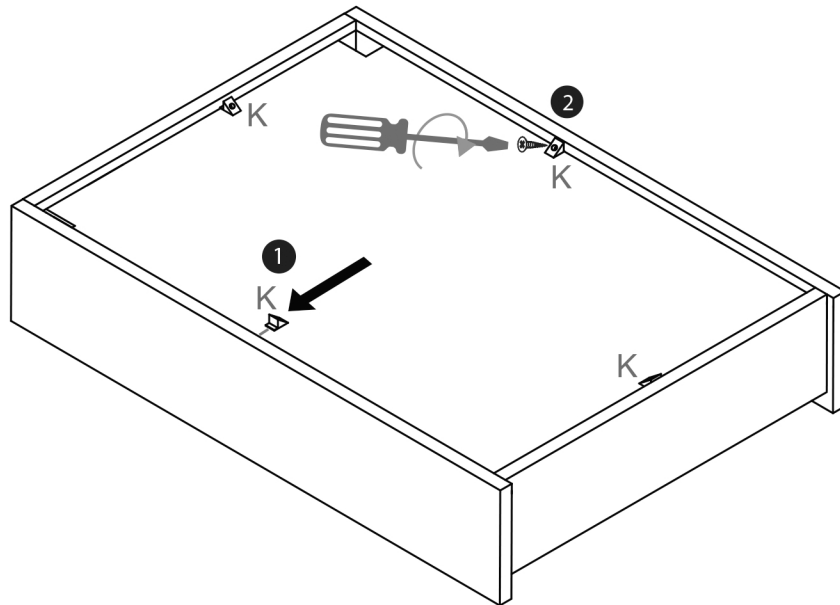
D
x4





7

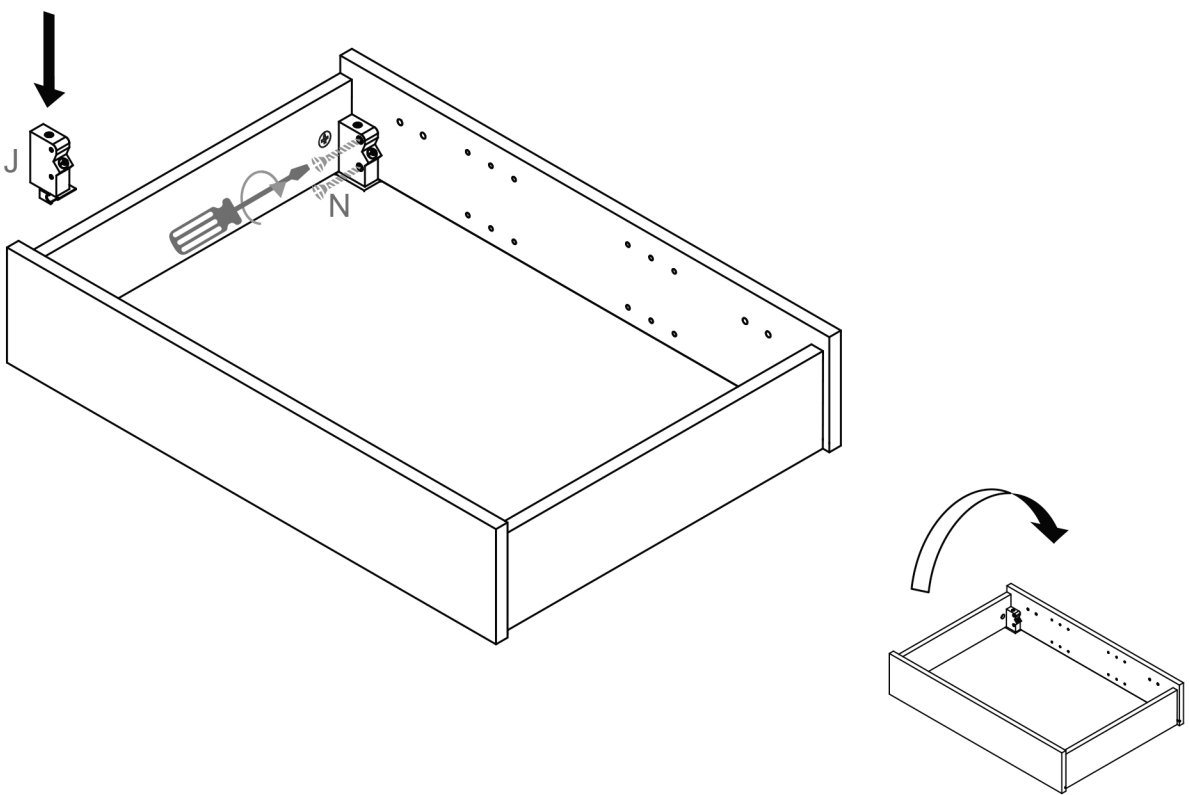


K
x4


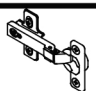


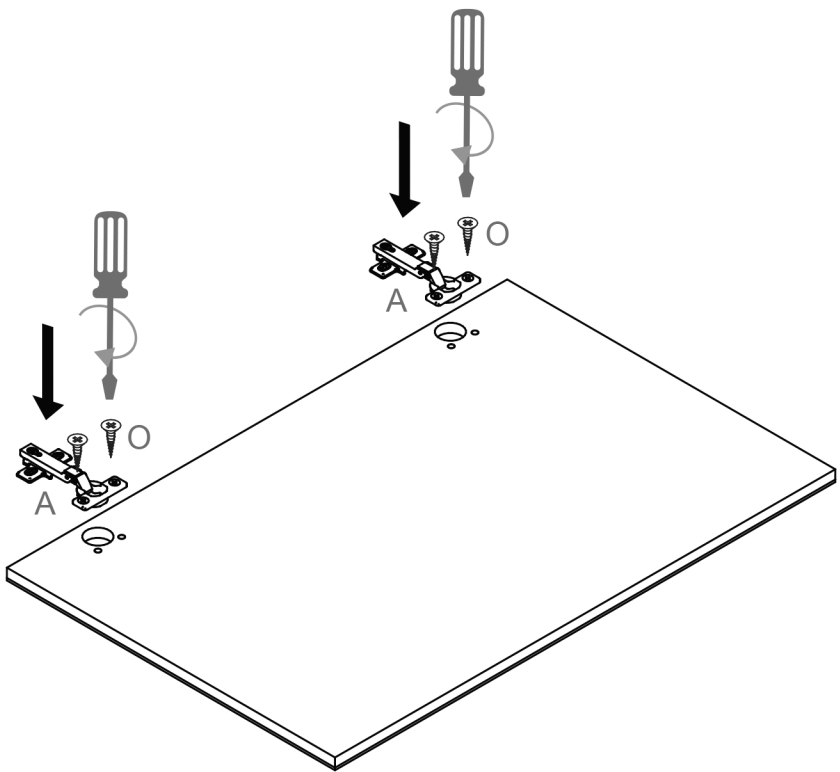
8

	N x4		J x2
---	----------------	--	----------------

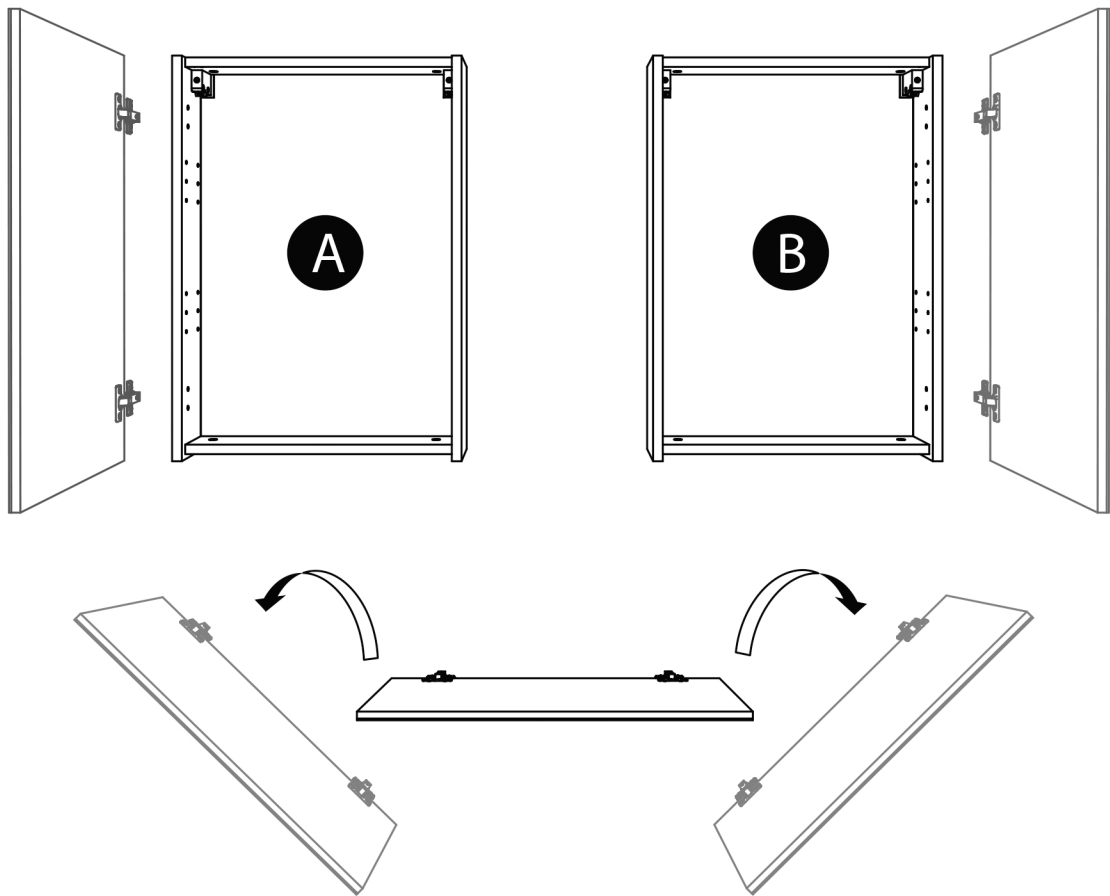


9

	O x4		A x2
--	----------------	---	----------------

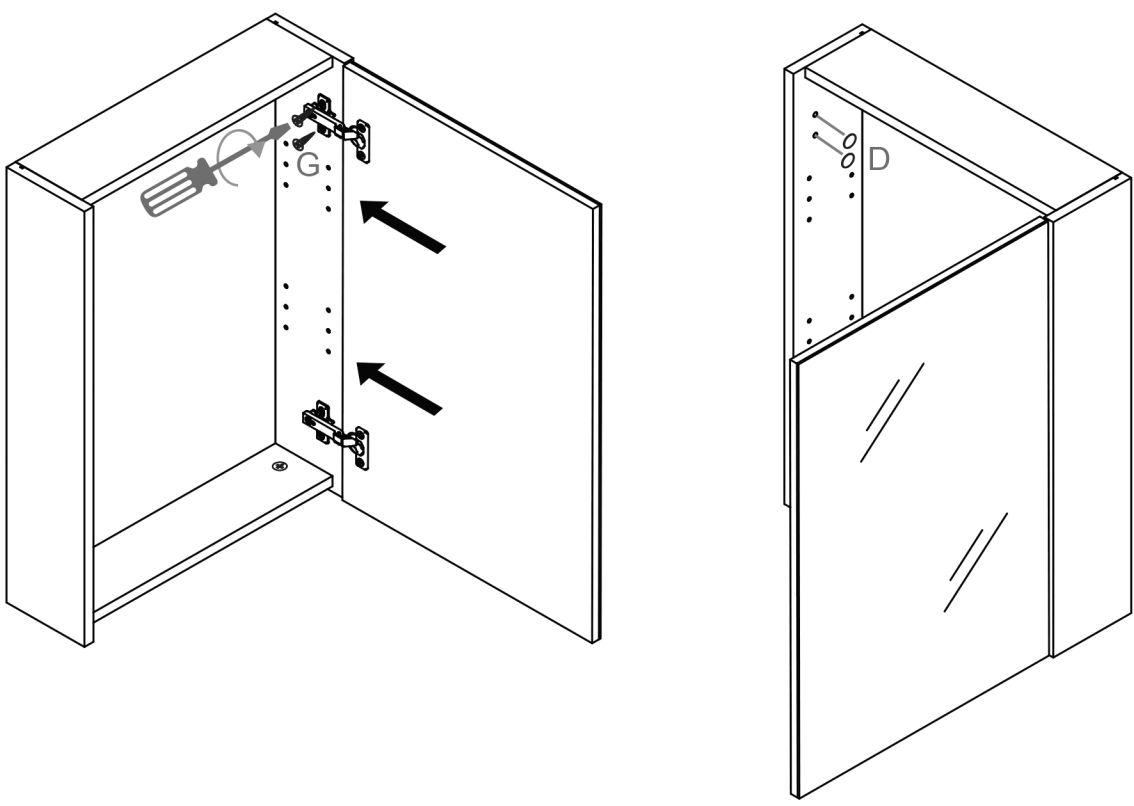


10



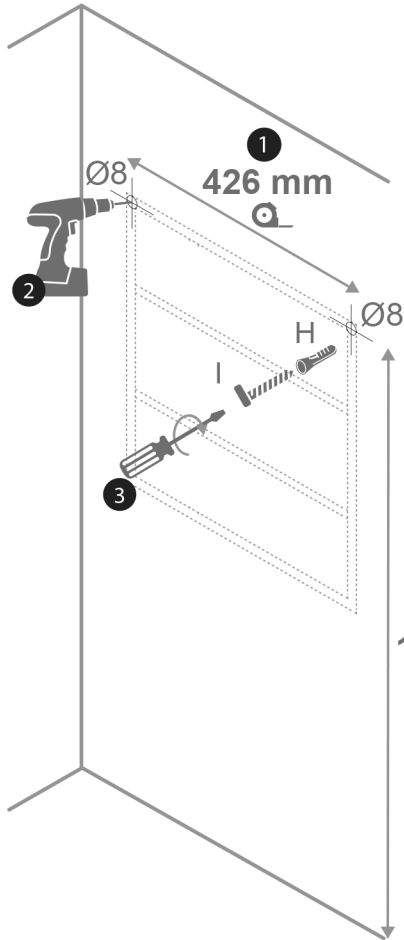
11

	G x4		D x4
--	----------------	---	----------------



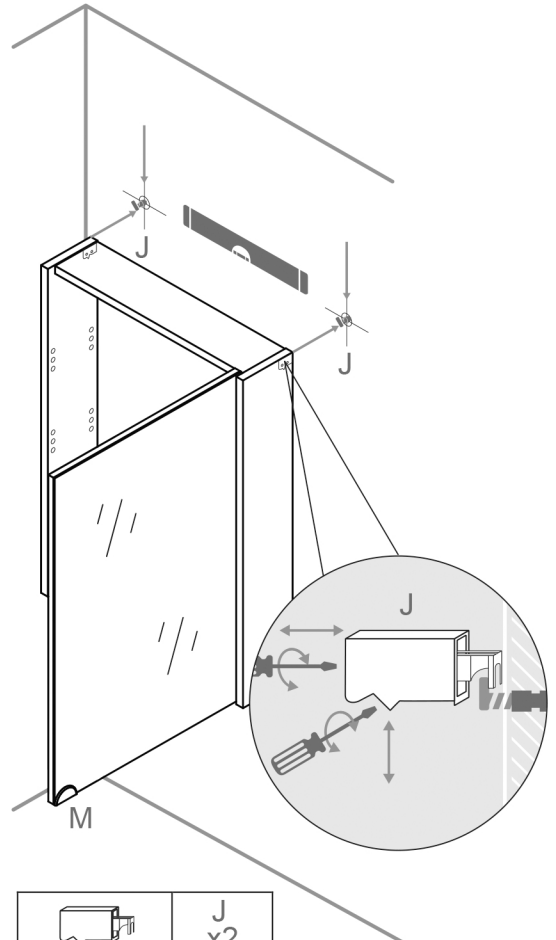


12



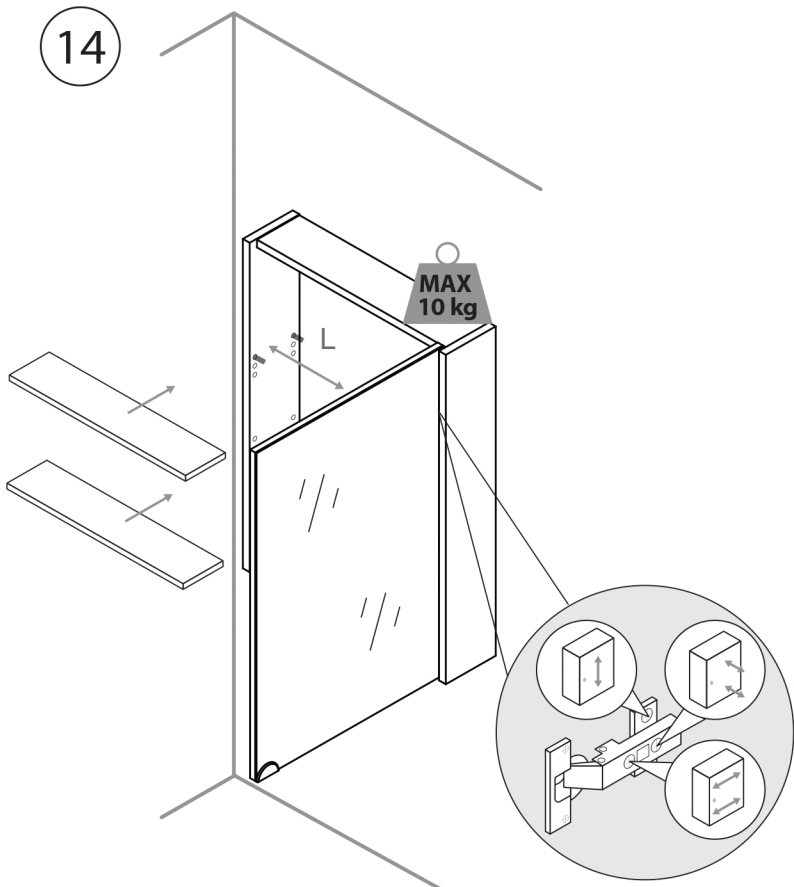
	H x2		I x2
--	---------	--	---------

13



	J x2
	M x1

14



	L x8
--	---------