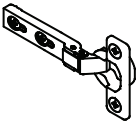








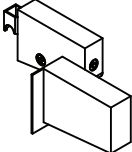
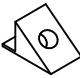



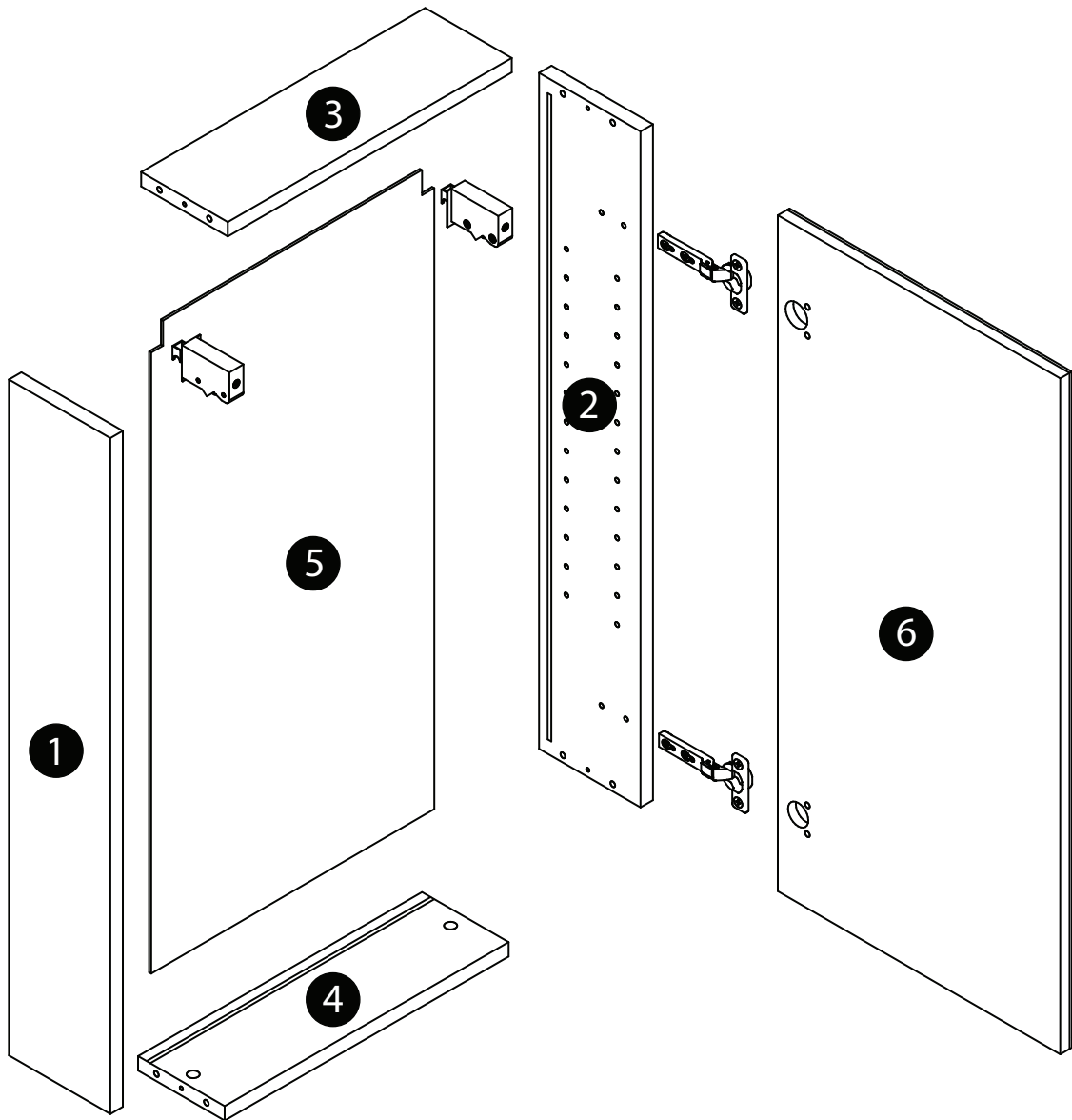
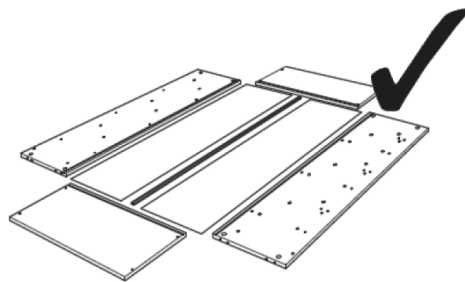
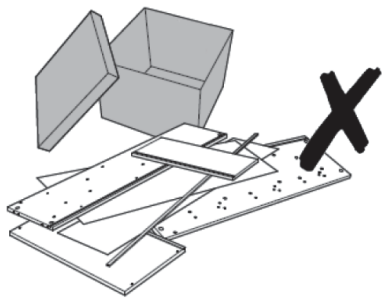


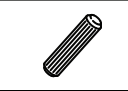
A \varnothing 35 mm  x 2	B \varnothing 15x12.5 mm  x 4	C \varnothing 7.5x44 mm  x 4	D 20x0.5 mm  x 8
E 15 ml.  x 1	F \varnothing 8x30 mm  x 8	G \varnothing 3.5x16 mm  x 4	H \varnothing 8x40 mm  x 2
I 5,5x50 mm  x 2	J 85x40x25 mm  x 2	K 14x14x12 mm  x 4	L \varnothing 25x12x10 mm  x 12
M \varnothing 3.5x25 mm  x 4	N \varnothing 3.5x12 mm  x 4		



1



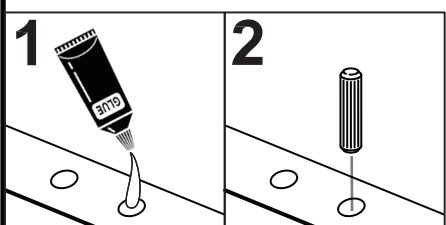
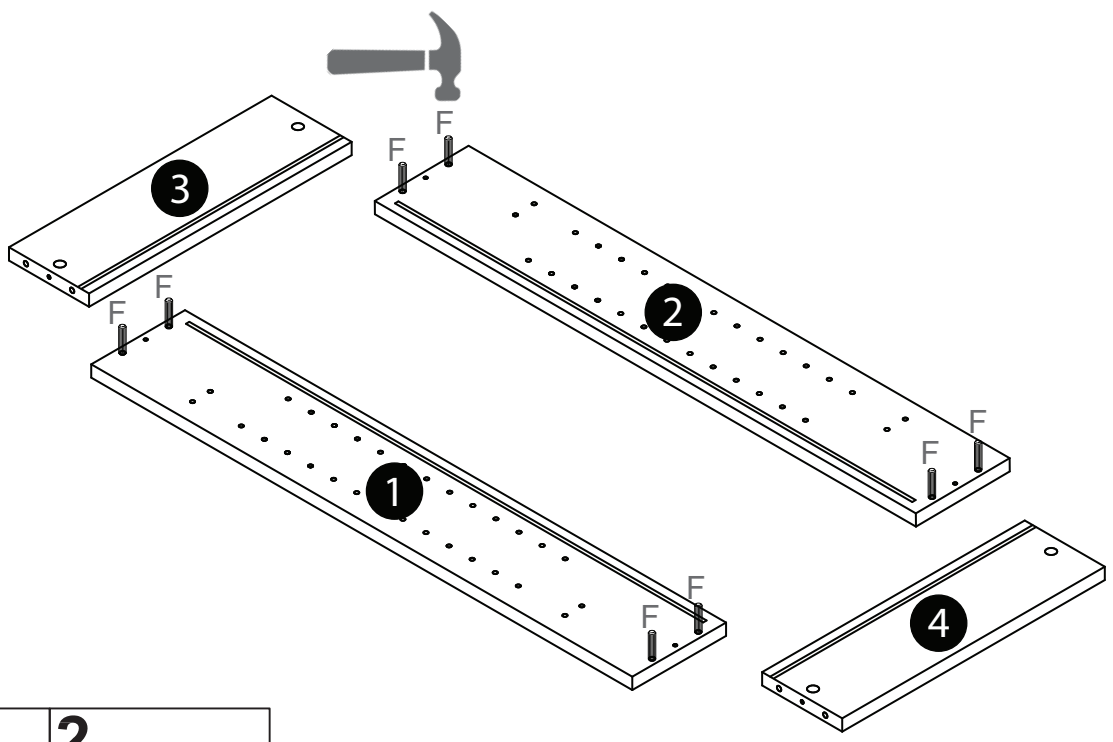
2



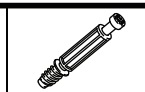
F
x8



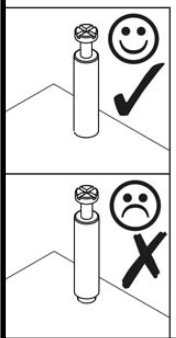
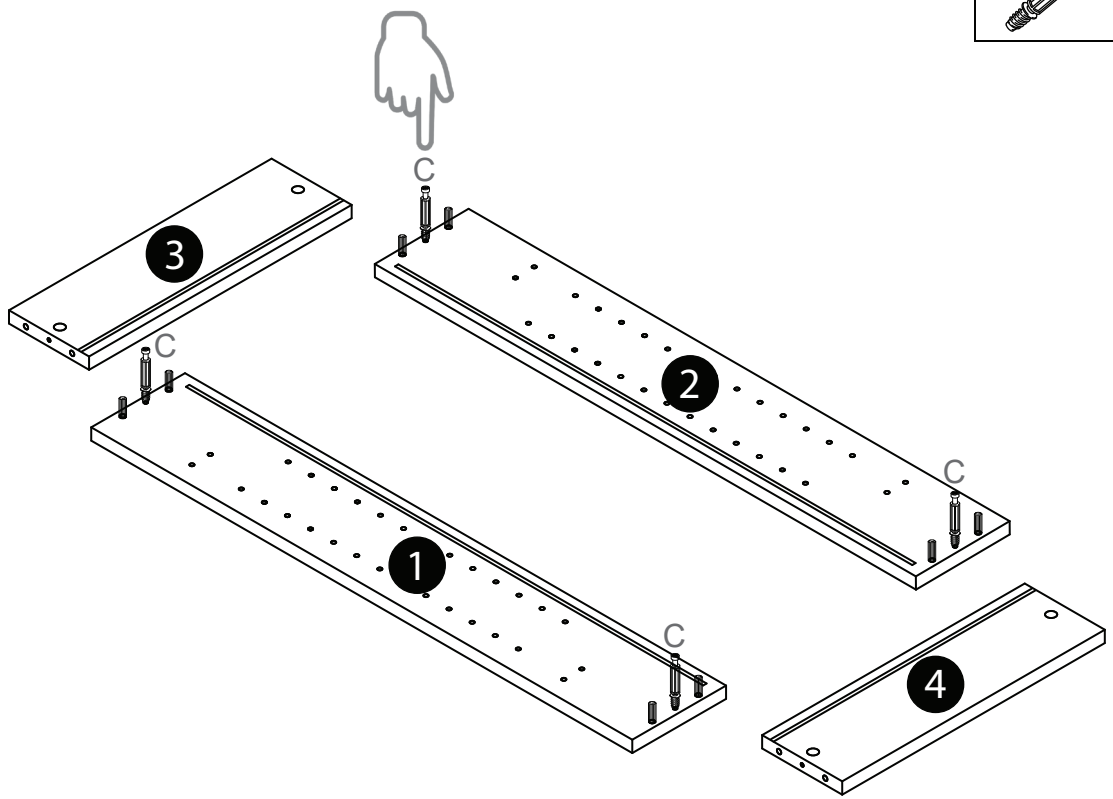
E
15 ml.



3



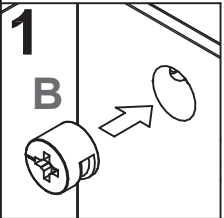
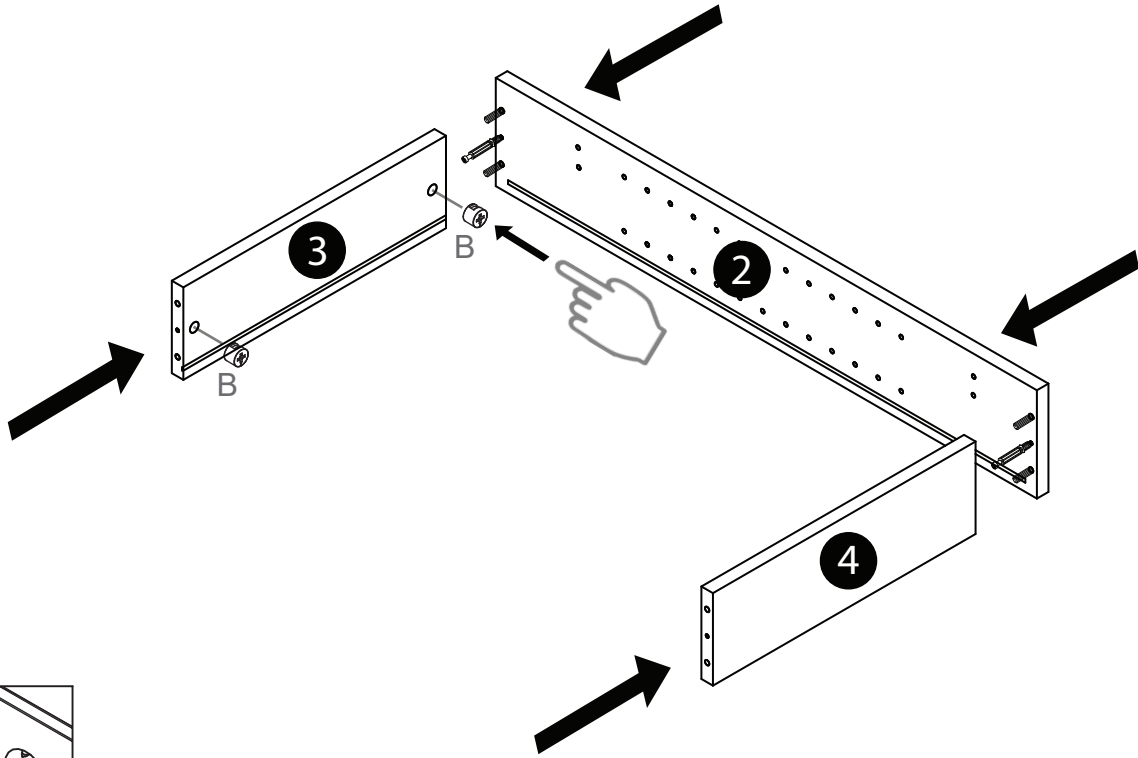
C
x4



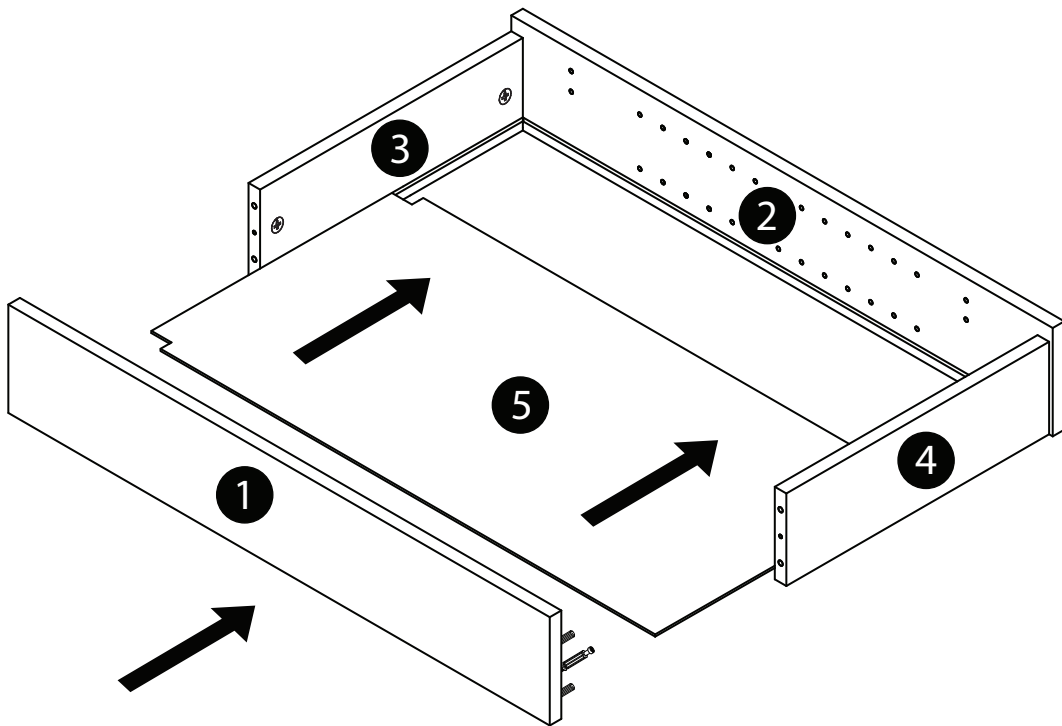
4



B
x4

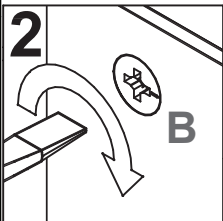
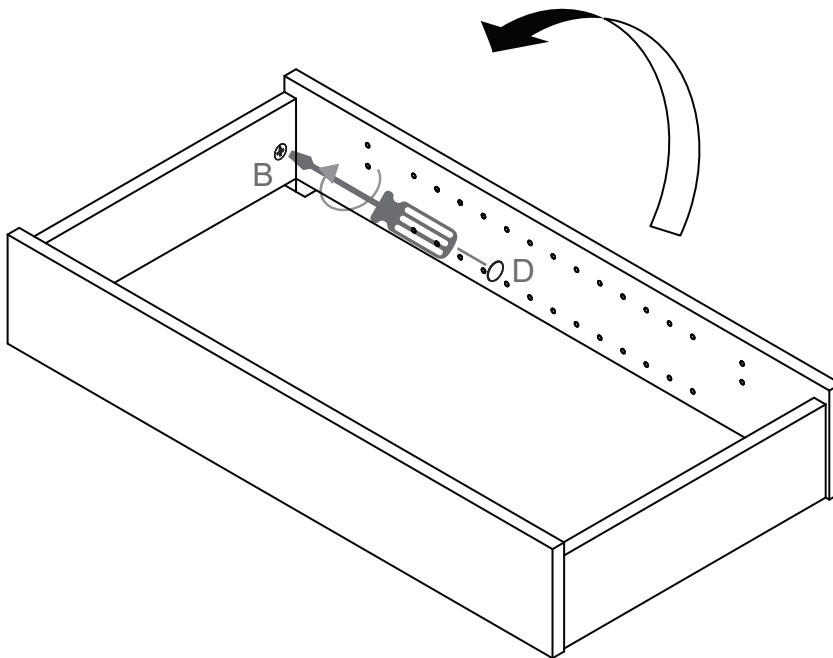


5



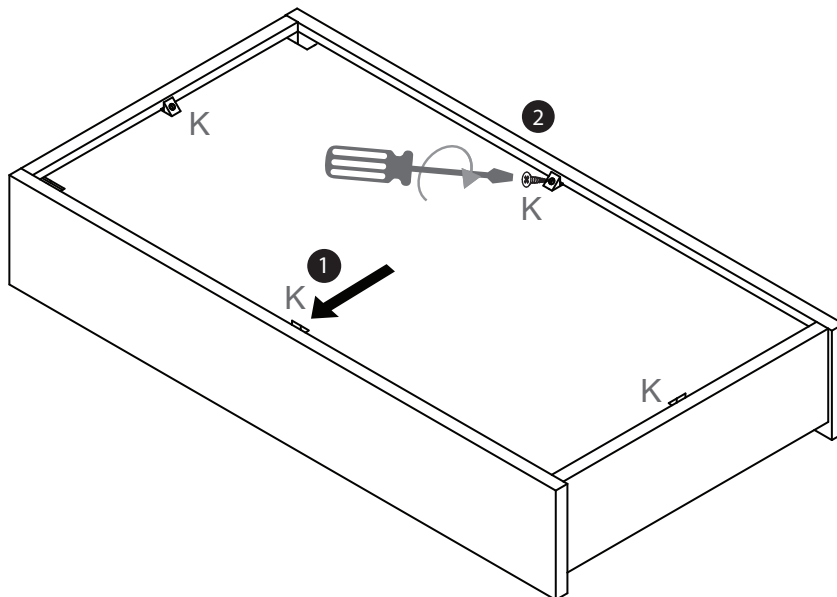
6

○
D
x4


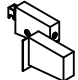


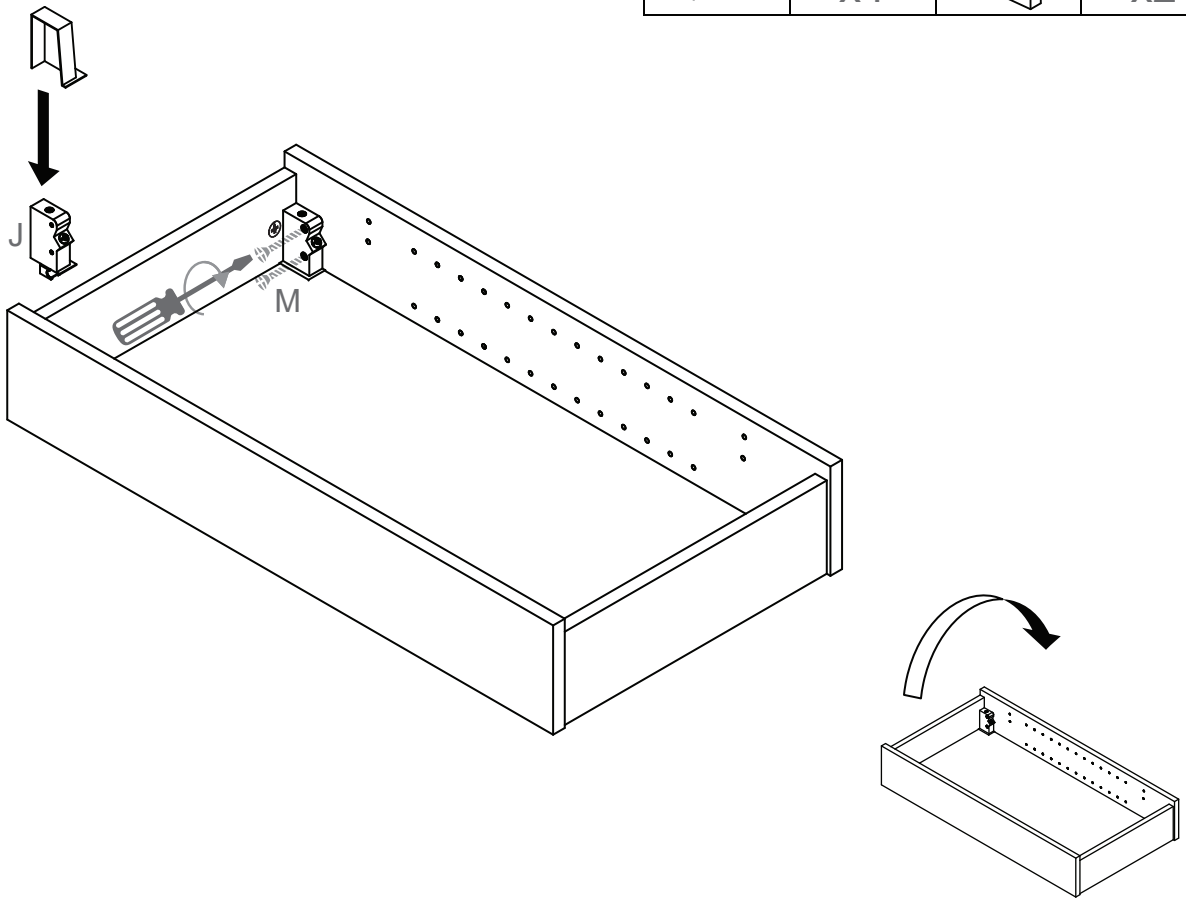
7

□
K
x4





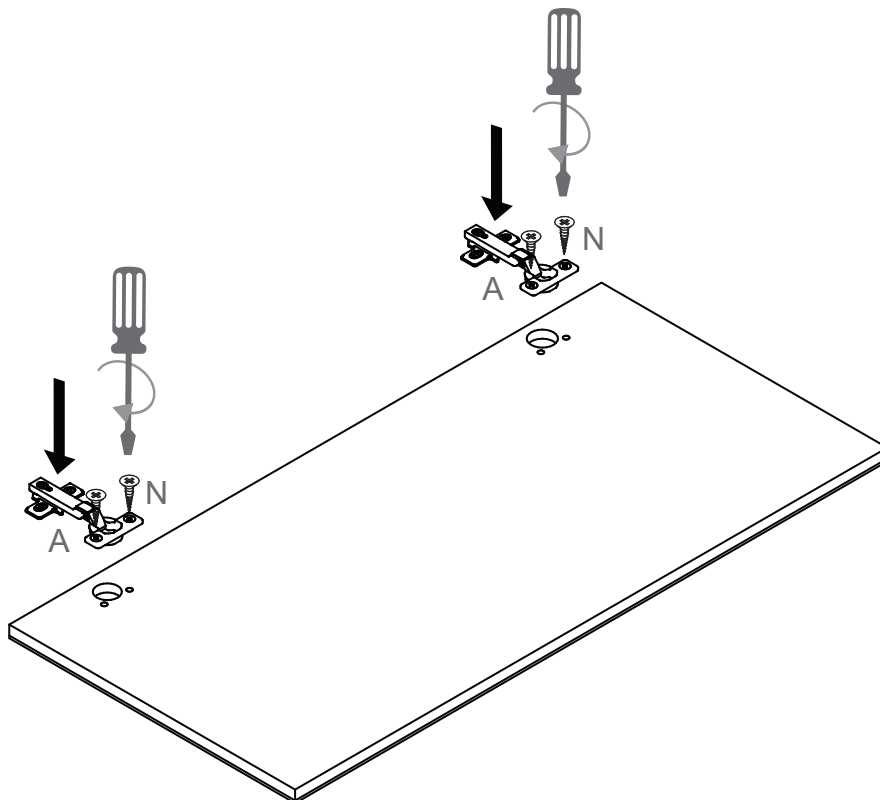
8

	M x4		J x2
---	----------------	--	----------------

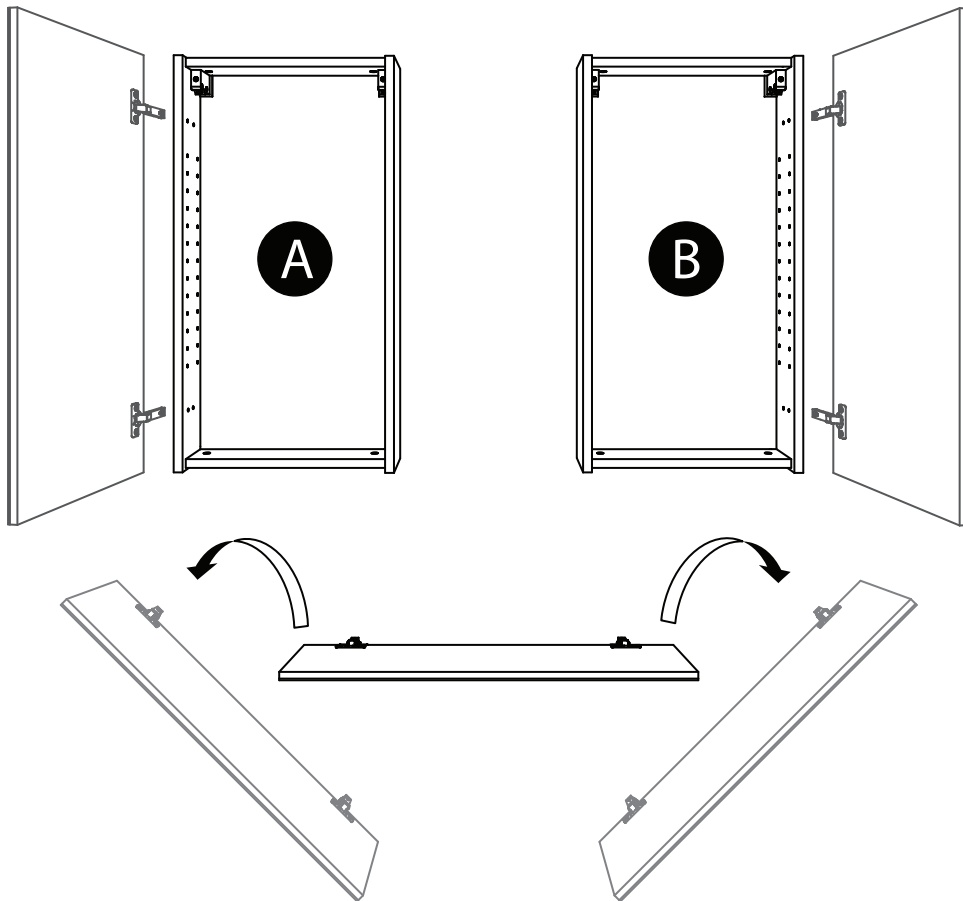


9

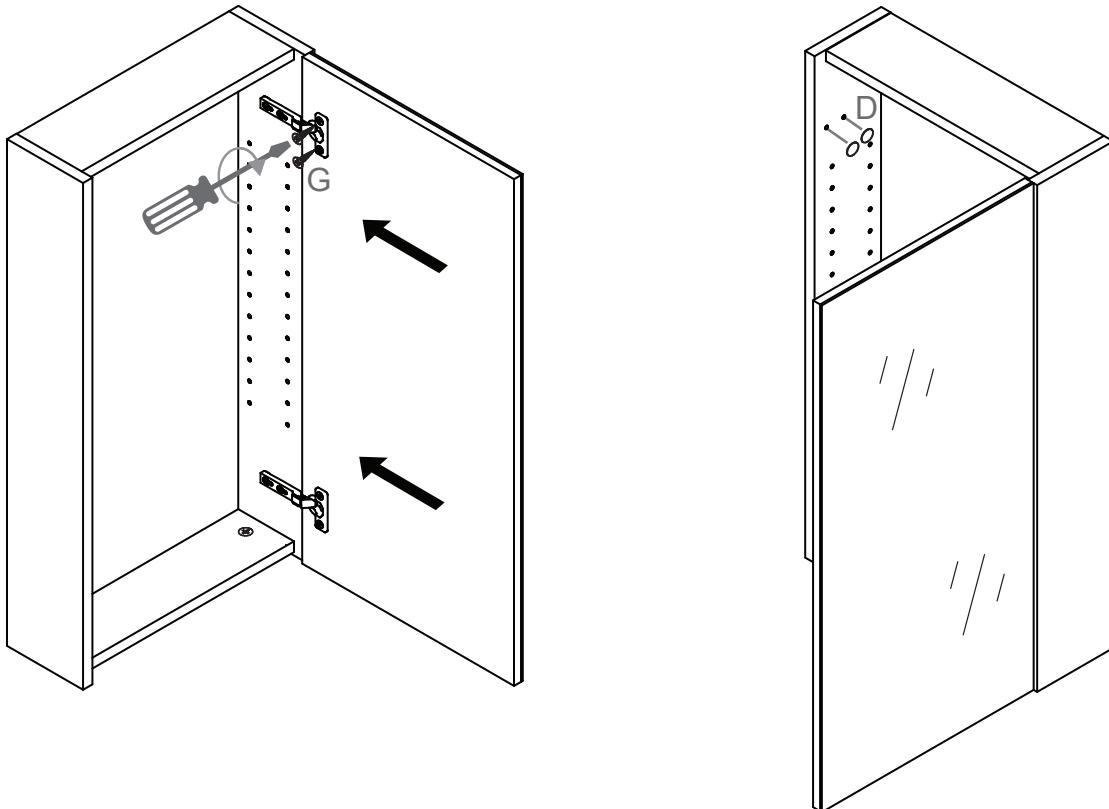
	N x4		A x2
--	----------------	---	----------------



10

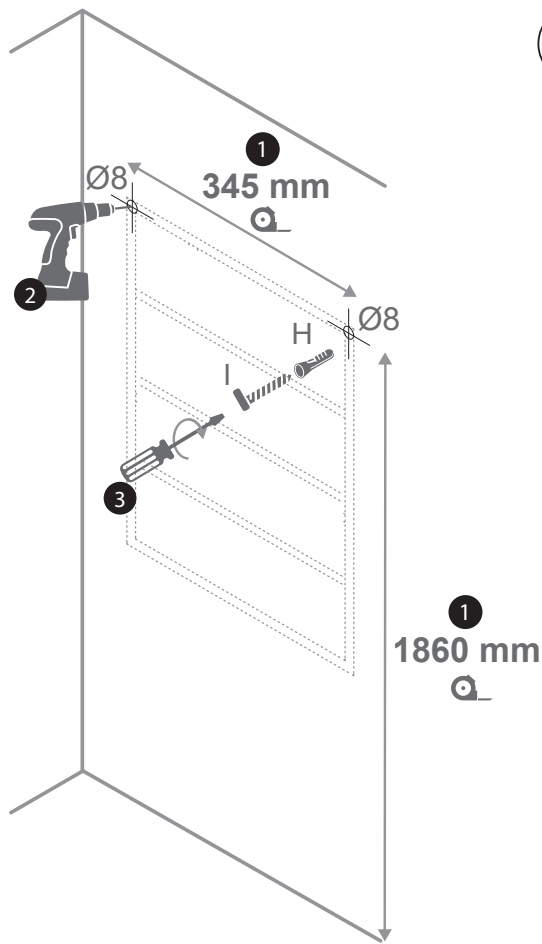


11

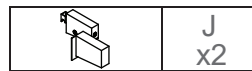
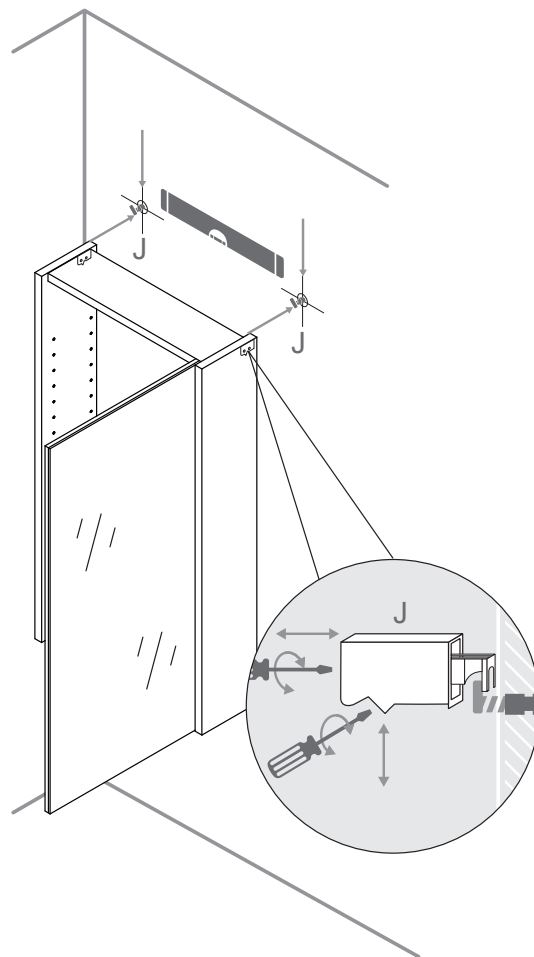




12



13



14

