

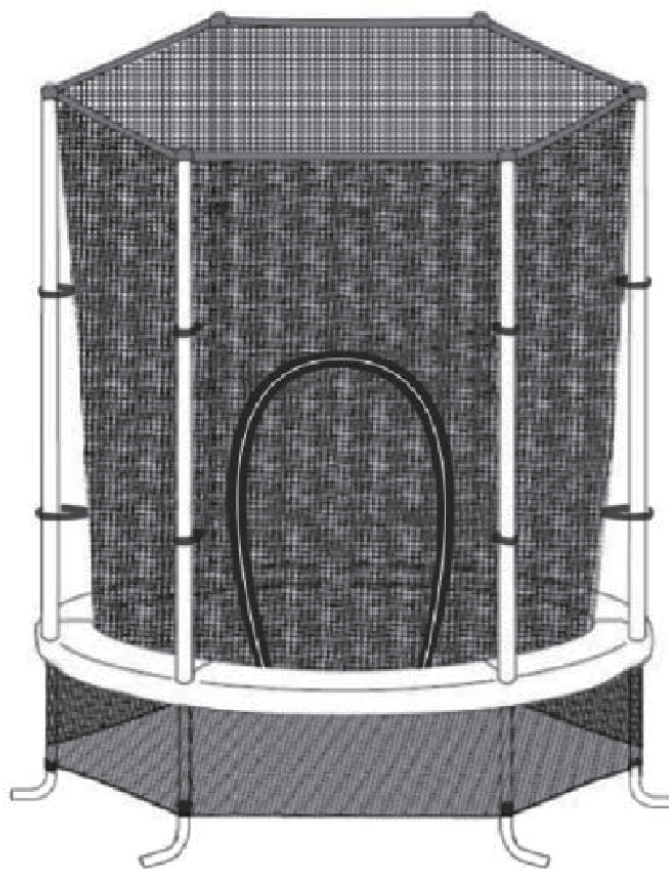


IN240700288V02_UK_FR_DE_ES_PT_IT

342-032V01

55 MINI TRAMPOLINE & SAFETY NET

EN



Read these materials prior to assembling and using this trampoline and trampoline enclosure.
Keep this manual so you can refer to it later.
For use by children ages 3 to 6 years ONLY.
Maximum user weight 45kg.

ADULT ASSEMBLY REQUIRED - Contains small parts, sharp points and sharp edges.
CHOKING HAZARD - Small parts - not for children under 3 yrs.



ASSEMBLY INSTRUCTION

Product Size: Ø140*H190cm

Attention: The trampoline must be assembled by an adult according to the assembly instructions and inspected before first use.

Attention: Follow the manufacturer's instructions when jumping with/without shoes

Attention: Empty your pockets and hands before jumping

Attention: Always jump in the middle of the mat, not on the sides.

Attention: Do not eat while jumping

Attention: Each jump should not exceed 30 minutes, and at least 10 minutes of rest is required

Attention: Be sure to close the network port before jumping

Trampolines cannot be buried underground

Trampolines should not be installed on concrete, asphalt or any other hard surface or near incompatible features (e.g., paddling pools, slides, climbing structures)

Any modifications made by the consumer to the original trampoline (such as adding accessories) must be done in accordance with the manufacturer's instructions.

Maintenance Instructions

During the winter months, snow and extremely low temperatures may damage the trampoline, and it is recommended to clear the snow and store the mat and shell indoors.

Replace nets and pad regularly every 1 year, and check whether the structure is stable to ensure safety



WARNING:

Read these materials prior to assembling and using this trampoline.

Liability

While every attempt is made to embody the highest degree of protection in all equipment, we cannot guarantee freedom from injury. The user assumes all risk of injury due to use. All merchandise is sold on this condition, which no representative of the company can waive or change.



WARNING:

In addition to the instructions and precautions provided with your Trampoline, the following precautions must be observed while using the Trampoline Safety Enclosure.

- DO NOT attempt or allow somersaults on the Trampoline. Landing on the head or neck can cause serious injury, paralysis, or death, even when landing in the middle of the bed.
- Do not allow more than one person on the trampoline or inside the trampoline enclosure. Use by more than one person at the same time can result in serious injuries.
- The metal frame of the trampoline enclosure will conduct electricity. Lights, extension cords, and all such electrical equipment must never be allowed to come in contact with the enclosure.
- Inspect the enclosure before each use. Make sure the straps and all parts are correctly and securely positioned and attached. Tighten any loose hardware. Replace any worn, defective, or missing parts.
- Wear comfortable clothing free of hooks, snaps, drawstrings or anything which may snag or catch in the safety enclosure mesh. Remove jewelry, necklaces, and earrings.
- Climb on and off the trampoline only through the safety enclosure entrance and securely close entrance. Users, especially children, must not attempt to enter or exit between the trampoline frame and the enclosure. Doing this may pose a strangulation risk.
- Do not touch or rebound off the safety enclosure mesh while using the trampoline.
- Read all instructions and complete all assembly before allowing your child to use the trampoline & safety enclosure.
- Use trampoline and trampoline enclosure only with mature, knowledgeable adult supervision.

**For Recreational Use ONLY. Not for Professional Use.
Weight Limit for Trampoline & Enclosure User is 45kg.**



WARNING: Assembly and Installation Instructions

- ADULT ASSEMBLY REQUIRED - Contains small parts, sharp points and sharp edges.
- CHOKING HAZARD - Small parts - Not for children under 3 yrs.
- For use by children ages 3 to 6 ONLY.
- Maximum user weight is 45 kg.
- Adequate overhead clearance is essential. A minimum of 8 ft from ground level is recommended. Provide clearance for wires, tree limbs, and other possible hazards.
- Lateral clearance is essential. Place the trampoline and trampoline enclosure away from walls, structures, fences, and other play areas. Maintain a clear space on all sides of the trampoline and trampoline enclosure. A minimum of six feet from frame edge is recommended.
- Never set-up the trampoline in heavy rain, wind or storm conditions, especially lightning storms. It is recommended that the trampoline be taken apart and stored in bad weather.
- Place the trampoline and trampoline enclosure on a level surface before use.
- Secure the trampoline and trampoline enclosure against unauthorized and unsupervised use.
- Remove any obstructions from beneath the trampoline and trampoline enclosure prior to use.
- The owner and supervisors of the trampoline and trampoline enclosure are responsible to make all users aware of practices specified in the "Use Instructions".



WARNING: Care and Maintenance Instructions

Inspect the trampoline and trampoline enclosure before each use and replace any worn, defective, or missing parts.

The following conditions could represent potential hazards:

1. Missing, improperly positioned, or insecurely attached frame padding, barrier or enclosure support system (frame) padding and pole caps.
2. Punctures, frays, tears, or holes worn in the bed or frame padding, barrier or enclosure support system (frame) padding and pole caps.
3. Deterioration in the stitching or fabric of the bed or frame padding, barrier or enclosure support system (frame) padding and pole caps.
4. Ruptured suspension cords.
5. A bent or broken frame or support system.
6. A sagging barrier or bed.
7. Sharp protrusions on the frame or suspension system, or
8. Loosened or missing hardware. Always make sure hardware is tight before each use.



WARNING: Use Instructions

- DO NOT attempt or allow somersaults on the Trampoline. Landing on the head or neck can cause serious injury, paralysis, or death, even when landing in the middle of the bed.
 - Do not allow more than one person on the trampoline or inside the trampoline enclosure. Use by more than one person at the same time can result in serious injuries.
- Keep objects away which could interfere with the performer. Maintain a clear area around the trampoline.
- Do not allow foreign objects or animals on the trampoline.
 - Children should only use trampoline and trampoline enclosure with mature, knowledgeable adult supervision.
 - Trampoline is for use by children ages three 3 to 6.
 - The trampoline should be assembled in its entirety before each use. All suspension cords must be attached to the frame. The frame cover must be correctly positioned at all times.
 - Never set-up the trampoline in heavy rain, wind or storm conditions, especially lightning storms. It is recommended that the trampoline be taken apart and stored in bad weather.
 - Inspect the trampoline & enclosure before each use. Make sure the frame cover, barrier mesh, and enclosure support padding are correctly and securely positioned. Replace any worn, defective or missing parts.
 - The metal frame of the trampoline and trampoline enclosure will conduct electricity. Lights, extension cords, and all such electrical equipment must never be allowed to come in contact with the trampoline or trampoline enclosure.
 - Wear comfortable clothing. Remove jewelry, necklaces, and earrings. Wear clothing free of drawstrings, hooks, loops or anything that could get caught in the barrier mesh.
 - Enter and exit the enclosure only at the enclosure door or barrier opening designated for that purpose. It is dangerous practice to jump from the trampoline to the ground or floor when dismounting, or to jump onto the trampoline when mounting. Do not use the trampoline as a springboard to other objects.
 - Stop bounce by flexing knees as feet come in contact with the trampoline bed. Learn this skill before attempting others.
 - Avoid bouncing too high. Stay low until bounce control and repeated landing in the center of the trampoline can be accomplished. Control is more important than height.
 - While keeping the head erect, focus eyes on the trampoline toward the perimeter. This will help control bounce.
 - Avoid bouncing when tired. Keep turns short.
 - Properly secure the trampoline when not in use. Protect it against unauthorized use.
 - The adult supervisor must not be under the influence of alcohol or drugs.
 - For additional information concerning the trampoline equipment, contact the manufacturer.
 - For information concerning skill training, contact a certified trampoline instructor.
 - Bounce only when the surface of the bed is dry. Wind or air movement should be calm to gentle. The trampoline must not be used in gusty or severe winds. The trampoline should be taken apart or stored indoors during these types of weather conditions.
 - Read all instructions before using the trampoline and trampoline enclosure. Warnings and instructions for care, maintenance, and use of this trampoline and trampoline enclosure are included to promote safe, enjoyable use of this equipment.
 - Do not intentionally bounce off the barrier.
 - Do not attempt to jump over barrier or attempt to crawl under barrier.
 - Do not hang from, kick, cut or climb on barrier.
 - Do not attach anything to the barrier that is not a manufacturer approved accessory or part of the enclosure system.

Trampoline Safety and Accident Prevention

As in most recreational sport, participants may be injured. This section covers the most common accidents. Responsibilities of the supervisors and jumpers in accident prevention are also outlined.

The following are reasons why accidents happen:

- Attempting somersaults. Landing on the head or neck can cause serious injury, paralysis, or death, even when landing in the middle of the bed.
- More than one person on the trampoline. Use by more than one person at the same time can result in serious injuries.
- Incorrect mounting and dismounting. Carefully crawl out of and into the trampoline bed. Do not jump off to the ground. Do not jump from a roof, or other object onto the trampoline. Small children may need assistance to get on or off the trampoline. Do not step onto the suspension system.
- Hitting the frame. Stay in the center of the trampoline when jumping. Injury may result from hitting the frame when control is lost. Be sure the frame cover is always on and the pads securely fastened. Do not jump directly onto the frame pad.
- Loss of control. A jumper who loses control will increase his/her chance of injury. Be sure to familiarize yourself with the basic jumps before doing more difficult ones. Jumps should be mastered, performed repeatedly before moving on to the next level. To regain control and stop your jump, bend your knees sharply as you land.
- The adult supervisor must not be under the influence of alcohol or drugs.
- Foreign objects. Please make sure there is nothing sharp under and around the trampoline. Hitting objects under the trampoline can cause injury. Jumping with a foreign object can also increase the chances of getting injured. Be sure there is adequate clearance 8 feet above and 6 feet around the trampoline. Be careful of overhead wires, tree limbs etc.
- Bad weather. Do not use your trampoline in gusty winds or inclement weather. The bed should not be wet.
- Poor maintenance of the trampoline. Make sure you inspect the trampoline before every use. Check for punctures on the bed, sharp burrs on the frame, stitching that has gone bad or loose elastic bands. If a replacement part is needed, please call our hotline to order.
- Unlimited access. The trampoline should be covered or dis-assembled when not in use. This will prevent unsupervised small children from using the trampoline.

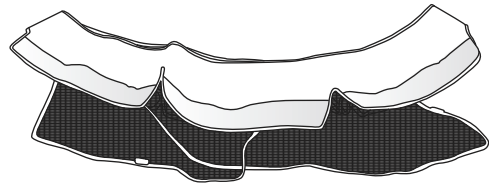
Owner's & Supervisor's Role in Preventing Injuries & Responsibilities

The supervisor's role is to make sure the users know all the safety rules as well as learn the basic, fundamental bounces. They need to enforce all the safety rules and warnings in the manual, frame and labels. When a supervisor is not available, the trampoline may be dis-assembled or covered to limit access. It is the supervisor's responsibility that the placards with the Trampoline Safety Tips and Enclosure Safety tips are reviewed and all jumpers are informed about the tips.

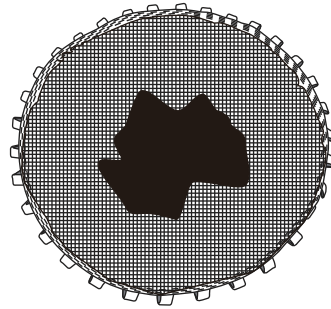
User's Role in Preventing Injuries & Responsibilities

The jumper must first learn all of the basic, fundamental bounces before attempting more difficult ones. Low, controlled bounces are a good start before learning the basic landing positions and combinations. Jumpers need to understand that control is key to a successful jump. Following the tips in the placard is important.

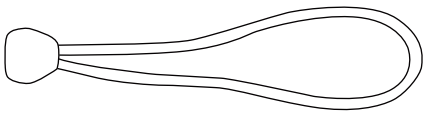
PARTS	QTY.	ITEM
Frame Cover w/ Skirt Mesh	1	A
Jumping Mat w/ Encl. Mesh	1	B
Suspension Cord	30	C
Screw	24	D
Screw Driver	1	E
Top Rail	6	F
Lower Enclosure Pole & foam	6	G
Upper Enclosure Pole & foam	6	H
Leg Tube	6	K



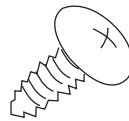
A Frame Cover with Sewn-on Skirt Mesh (1)



B Jumping Mat with Sewn-on Enclosure Mesh (1)



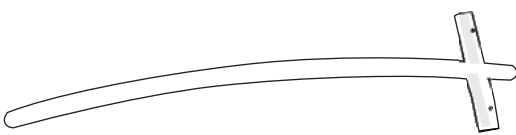
C Suspension Cord



D Screw



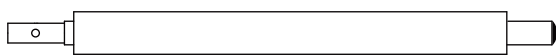
E Screw Driver



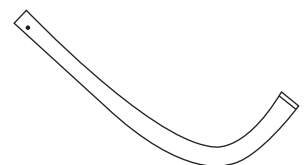
F Top Rail



G Lower Enclosure Pole & foam



H Upper Enclosure Pole & foam



K Leg Tube

Assembly Instructions (Frame)

NOTE:

CHOKING HAZARD

-Small Parts. Not for children under 3 years.

ADULT ASSEMBLY REQUIRED

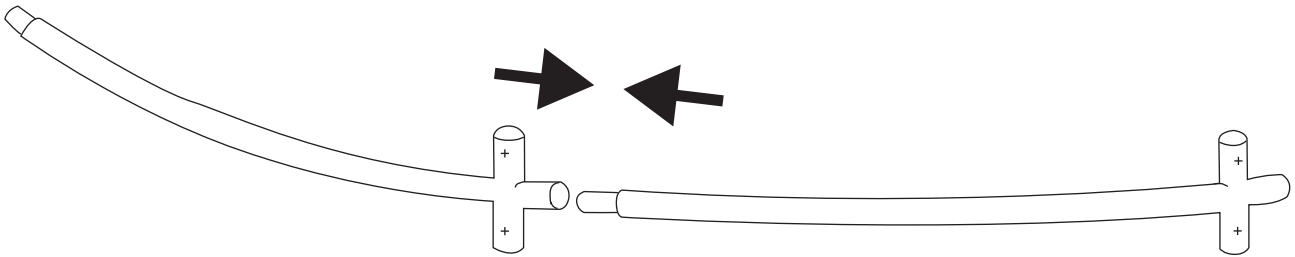
-Contains small parts, sharp points and sharp edges.

1

Begin by assembling 2 of the top rails (F) together into an arc.

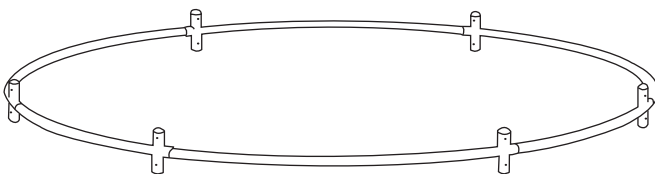
2

Continue building a circle by adding the remaining 4 top rails (F) to the arc you made in Step 1.



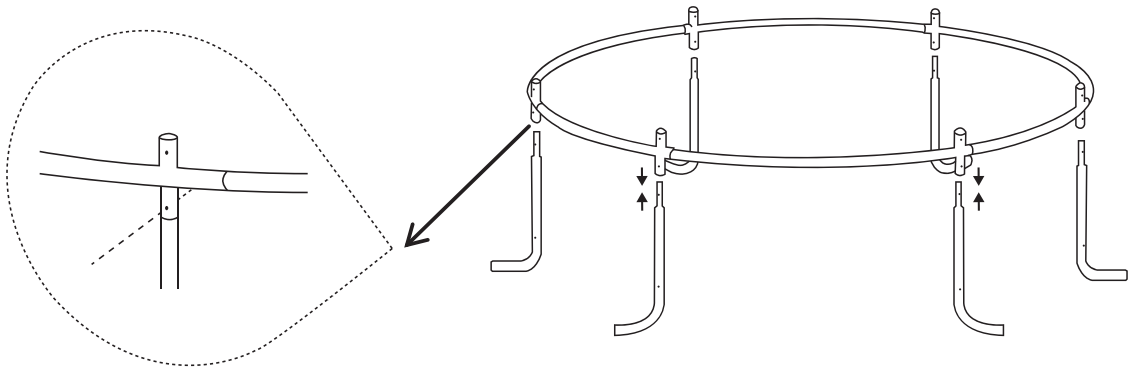
3

Joining the 2 loose ends of the circle together may require you to stand the frame on edge and press downward on the 2 ends, while connecting them together.



4

With the top rail (F) frame connected into a circle, lay it flat on the floor (either side facing up—they are identical). Then insert the tapered end of each of the 6 leg tubes (K) into the 6 leg sockets that are facing up, as shown. The Curves should all point out—away from the center of the trampoline.



5

Align the screw hole in the leg tube (k) with the hole in the leg socket. Then secure with screw and tighten. **DO NOT OVER-TIGHTEN.** Repeat this until all 6 legs are securely attached to the top rail (F) frame with screws (D).

Assembly Instructions (Jumping Mat)

NOTE:

CHOKING HAZARD

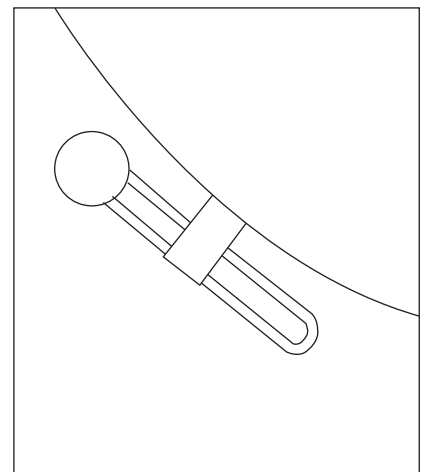
-Small Parts. Not for children under 3 years.

ADULT ASSEMBLY REQUIRED

-Contains small parts, sharp points and sharp edges.

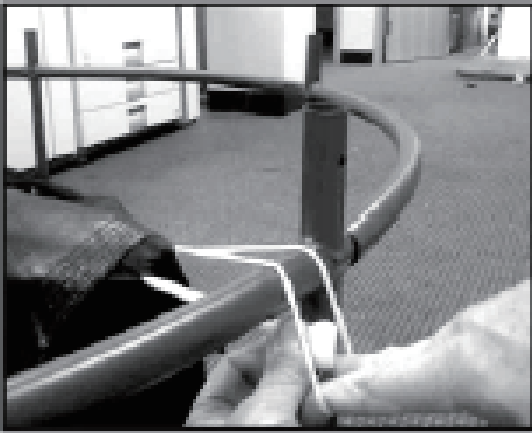
1

Lay out the jumping mat (B) in the center of the frame. Then slide a suspension cord (C) from left to right through the sewn-in loop as shown.



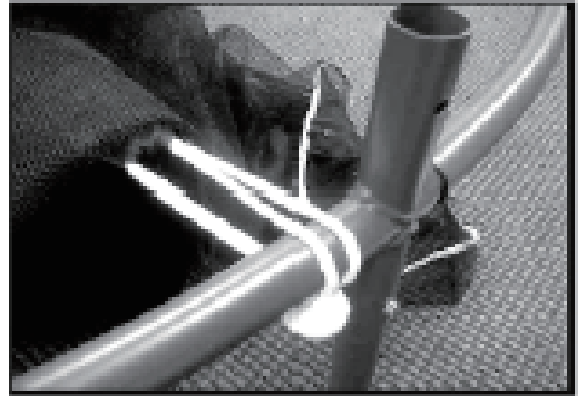
2

Use your right hand to stretch the loop end of the cord (C) OVER the top rail (F) and your left hand to pull the ball end of the cord (C) UNDER the top rail (F), then press the ball through the loop.



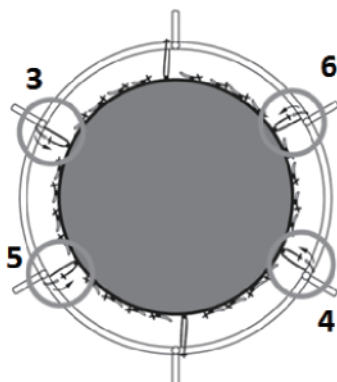
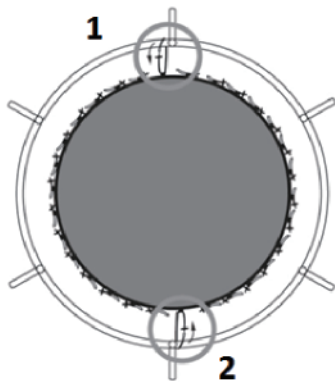
3

SLOWLY release the loop end of the cord so that it captures the knob, locking the suspension cord (C) in place, as shown.



4

From the 1st attached cord, count around the jumping mat to the 16th loop. Like the picture show position 1&2. Then repeat step 1 to step 3 to fix the position 3,4,5,6. Finally fix all the suspension cords (C) evenly. By doing so, it will ensure even-tension around the entire jumping mat (B).

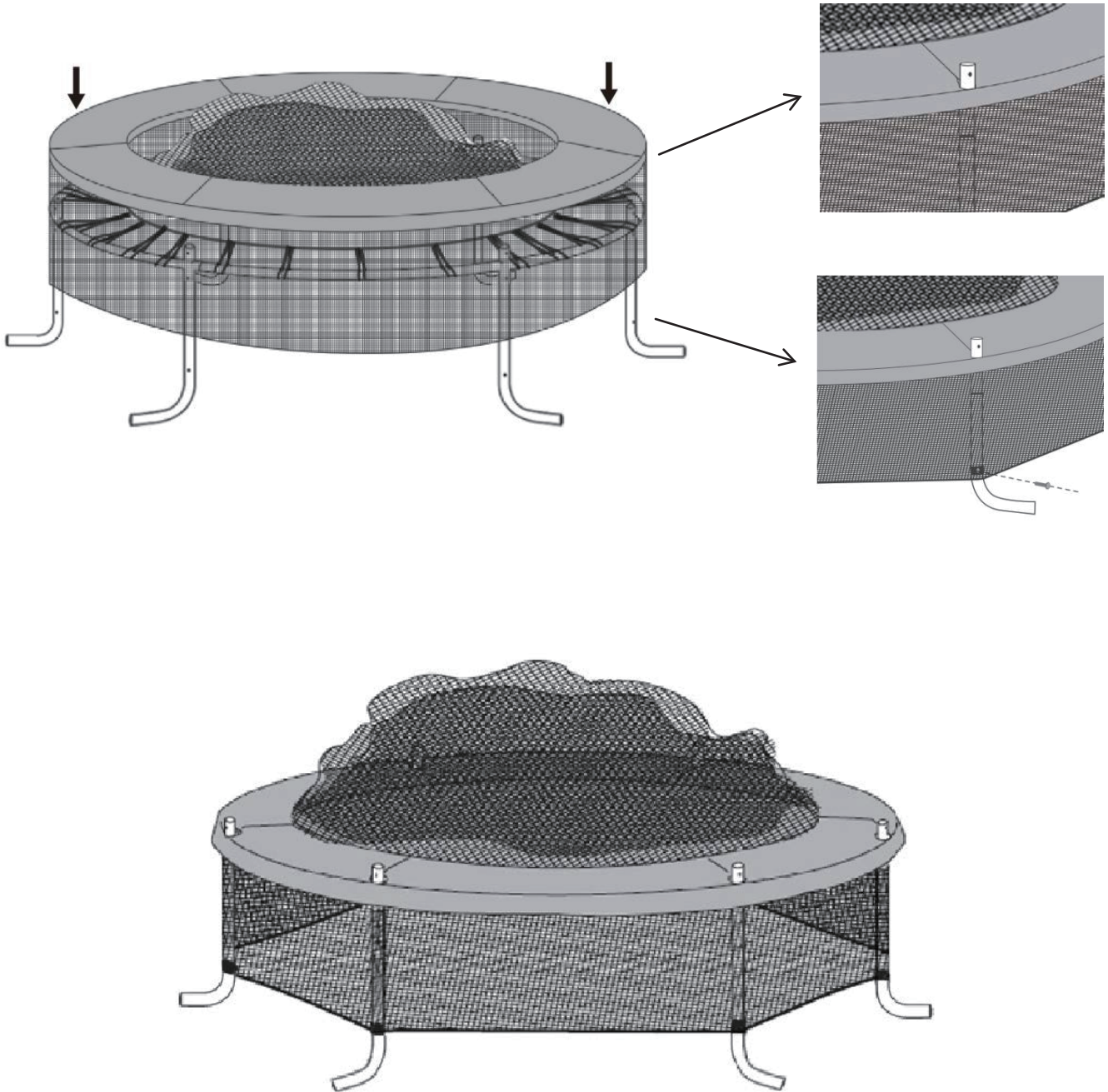


5

Place the Frame Cover with Sewn-on Skirt Mesh (A) onto the trampoline main frame. Between each section of the Frame Cover pad, there is a built-in hole to secure the pad to leg tube/enclosure leg socket.

6

Pull the Sewn-on Skirt Mesh down, align the hole on both the Mesh and the Leg Tube. Secure the Skirt Mesh to the leg tube with Screws (D) and tighten them with Screw Driver (E).



Assembly Instructions (Safety Enclosure Net)

NOTE:

CHOKING HAZARD

-Small Parts. Not for children under 3 years.

ADULT ASSEMBLY REQUIRED

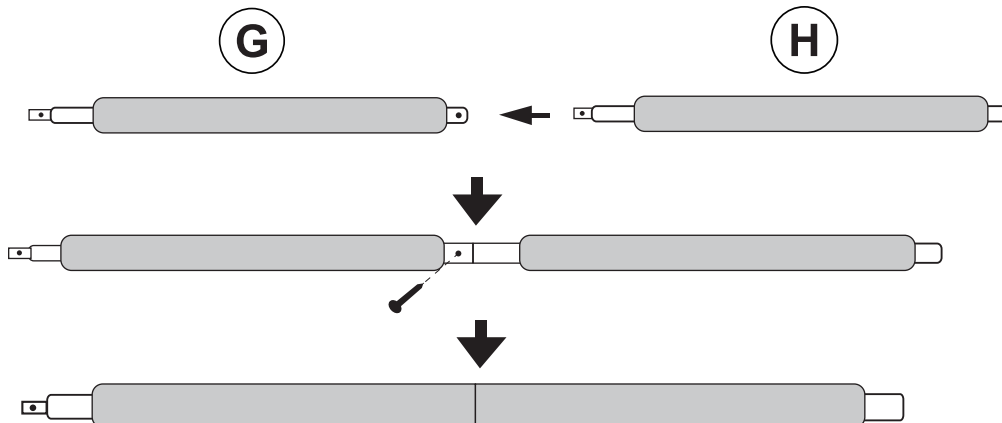
-Contains small parts, sharp points and sharp edges.

1

Insert the smaller diameter end of an upper enclosure pole (H) into the larger diameter end of a lower enclosure pole (G) and align screw holes. (You may need to slide the pre-installed foam sleeves to gain access to the ends of poles.)

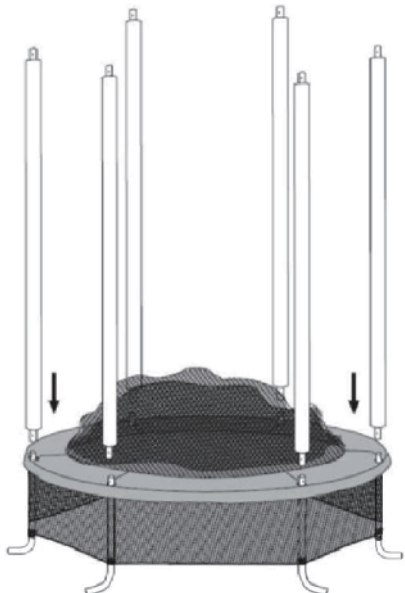
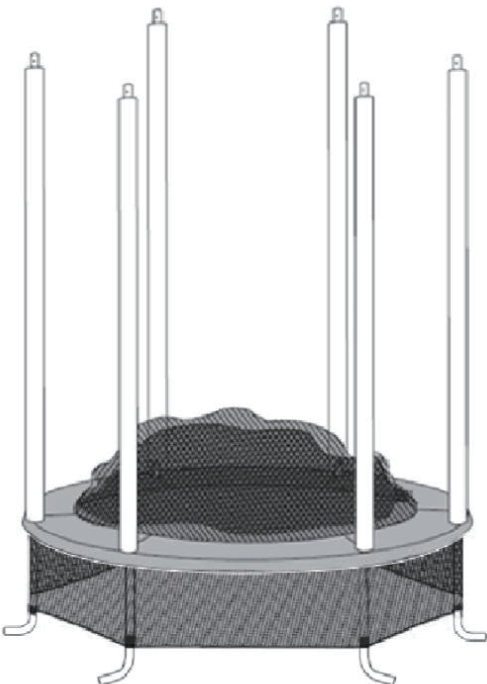
2

Insert screw (D) & tighten.
DO NOT OVERTIGHTEN!
Repeat steps 1 & 2 to assemble remaining 5 sets of upper (H) and lower (G) poles.



3

Insert the bottom end of lower enclosure pole (G) assembly into the socket on frame, as shown. Align screw holes.

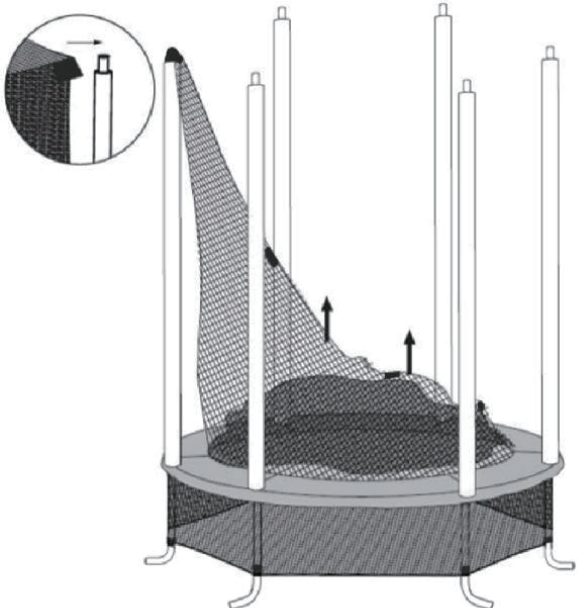


4

Insert the screw (D) & tighten. **DO NOT OVERTIGHTEN!** Repeat step 3 for the remaining 5 enclosure pole (G) assemblies. When it is done, it looks as shown.

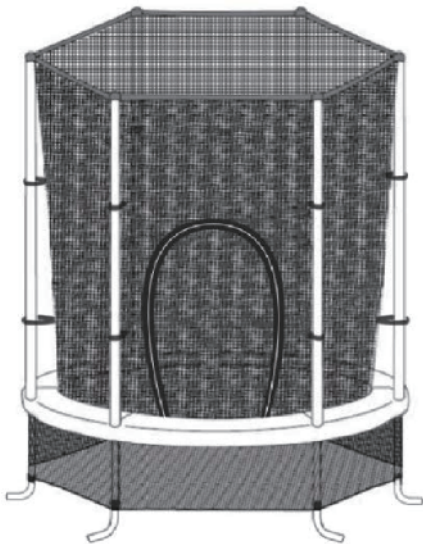
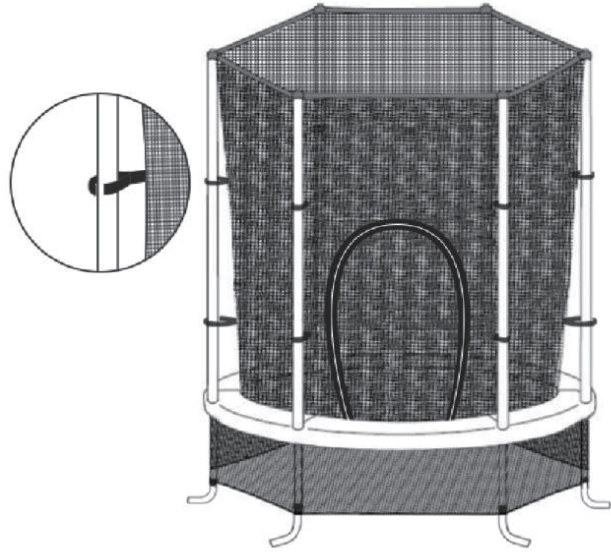
5

Attach the Enclosure Net to the top of pole tube.



6

Locate the upper and lower sets of hook and loop fasteners sewn to the enclosure net
Tightly wrap both the upper and lower hook and loop fasteners around the enclosure pole to secure the net in place.



7

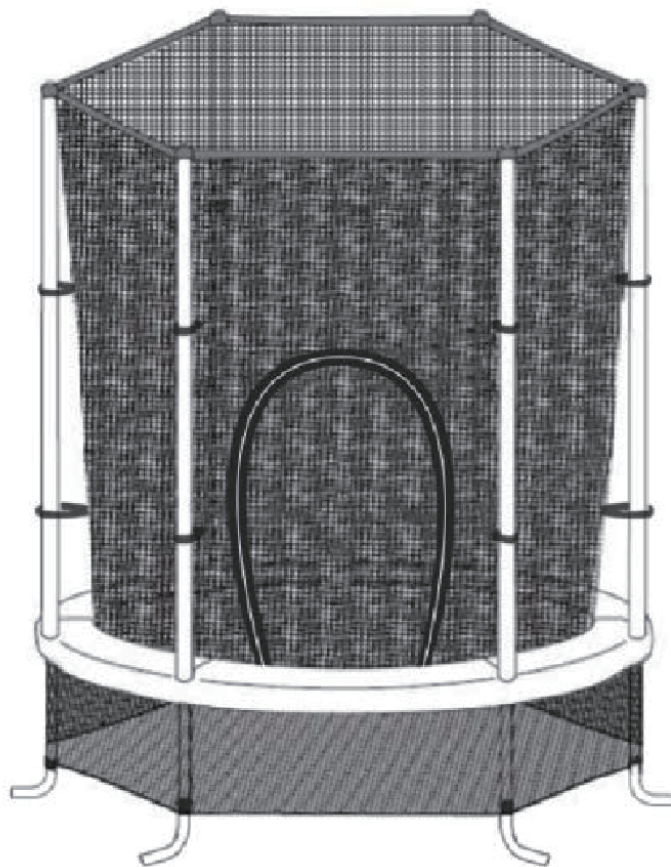
Repeat step 6 with remaining upper & lower hook and loop fasteners on the other 5 enclosure poles. When finished, the trampoline is as shown. The assembly is now completed, and the trampoline is ready for jumping!

Disassembly

To disassemble, simply follow ASSEMBLY INSTRUCTION-FRAME, JUMPING MAT, SAFETY ENCLOSURE NET in reverse order, until you have disassembled the trampoline.

55 MINI TRAMPOLINE ET ENCEINTE DE SÉCURITÉ

FR



CE



Lisez ces instructions avant d'assembler et d'utiliser ce trampoline et son filet de sécurité.

Conservez ce manuel pour pouvoir vous y référer ultérieurement.

Utilisation par des enfants âgés de 3 à 6 ans **UNIQUEMENT**.

Poids maximal de l'utilisateur: 45kg.

ASSEMBLAGE PAR UN ADULTE REQUIS - Contient de petites pièces, des pointes et des bords tranchants.

RISQUE D'ÉTOUFFEMENT - Petites pièces - ne convient pas aux enfants de moins de 3 ans.

**IMPORTANT - CONSERVEZ CES INFORMATIONS
POUR VOTRE CONSULTATION ULTÉRIEURE: LISEZ ATTENTIVEMENT**

INSTRUCTIONS D'ASSEMBLAGE

Taille du produit : Ø140*H190cm

Attention : Le trampoline doit être assemblé par un adulte selon les instructions de montage et inspecté avant la première utilisation.

Attention : Suivez les instructions du fabricant lorsque vous sautez avec ou sans chaussures.

Attention : Videz vos poches et vos mains avant de sauter.

Attention : Sautez toujours au milieu de la toile, pas sur les côtés.

Attention : Ne mangez pas en sautant.

Attention : Chaque saut ne doit pas dépasser 30 minutes, et au moins 10 minutes de repos sont nécessaires.

Attention : Assurez-vous de fermer le port du filet avant de sauter.

Les trampolines ne peuvent pas être enterrés.

Les trampolines ne doivent pas être installés sur du béton, de l'asphalte ou toute autre surface dure ou près d'éléments incompatibles (par exemple, piscines pour enfants, toboggans, structures d'escalade).

Toute modification apportée par le consommateur au trampoline d'origine (comme l'ajout d'accessoires) doit être effectuée conformément aux instructions du fabricant.

Instructions d'entretien

Pendant les mois d'hiver, la neige et les températures extrêmement basses peuvent endommager le trampoline. Il est recommandé de dégager la neige et de ranger la toile et la coque à l'intérieur.

Remplacez régulièrement les filets et les protections tous les ans et vérifiez si la structure est stable pour garantir la sécurité.



AVERTISSEMENT:

Lisez ces instructions avant d'assembler et d'utiliser ce trampoline.

Responsabilité

Bien que nous fassions tout notre possible pour offrir le plus grand degré de protection dans tous les équipements, nous ne pouvons pas garantir l'absence de blessures. L'utilisateur assume tous les risques de blessure liés à l'utilisation. Toutes les marchandises sont vendues à cette condition, à laquelle aucun représentant de la société ne peut renoncer ou changer.



AVERTISSEMENT:

En plus des instructions et des précautions fournies avec votre trampoline, les précautions suivantes doivent être observées lors de l'utilisation de l'enceinte de sécurité du trampoline.

- NE PAS tenter ou permettre des sauts périlleux sur le trampoline. Atterrir sur la tête ou le cou peut provoquer des blessures graves, une paralysie ou la mort, même en atterrissant au milieu du lit.
- Ne permettez pas la présence de plus d'une personne sur le trampoline ou à l'intérieur de l'enceinte du trampoline. L'utilisation par plus d'une personne en même temps peut entraîner des blessures graves.
- L'armature métallique de l'enceinte du trampoline est conductrice d'électricité. Les lampes, les rallonges et tout autre équipement électrique ne doivent jamais entrer en contact avec le filet.
- Inspectez le filet avant chaque utilisation. Assurez-vous que les sangles et toutes les pièces sont correctement et solidement positionnées et fixées. Serrez toute pièce desserrée. Remplacez toute pièce usée, défectueuse ou manquante.
- Portez des vêtements confortables exempts de crochets, de boutons-pression, de cordons ou de tout autre élément susceptible de s'accrocher ou de se coincer dans les mailles de l'enceinte de sécurité. Retirez vos bijoux, colliers et boucles d'oreilles.
- Ne montez et ne descendez du trampoline que par l'entrée de l'enceinte de sécurité et fermez-la solidement. Les utilisateurs, en particulier les enfants, ne doivent pas essayer d'entrer ou de sortir entre le cadre du trampoline et l'enceinte. Ils risqueraient de s'étrangler.
- Ne touchez pas et ne rebondissez pas sur les mailles de l'enceinte de sécurité lorsque vous utilisez le trampoline.
- Lisez toutes les instructions et effectuez tous les montages avant de permettre à votre enfant d'utiliser le trampoline et l'enceinte de sécurité.
- N'utilisez le trampoline et l'enceinte de sécurité que sous la surveillance d'un adulte mature et compétent.

**Pour un usage récréatif UNIQUEMENT. Ne pas utiliser à des fins professionnelles.
La limite de poids pour l'utilisateur du trampoline et de l'enceinte est de 45kg.**

AVERTISSEMENT: **Instructions de Montage et d'Installation**

- **ASSEMBLAGE PAR UN ADULTE REQUIS** - Contient des petites pièces, des pointes et des bords tranchants.
- **RISQUE D'ÉTOUFFEMENT** - Petites pièces - Ne convient pas aux enfants de moins de 3 ans.
- À utiliser par les enfants âgés de 3 à 6 ans SEULEMENT.
- Le poids maximum de l'utilisateur est de 45kg.
- Un dégagement adéquat est essentiel. Un minimum de 8 pieds à partir du niveau du sol est recommandé. Prévoyez un dégagement pour les fils électriques, les branches d'arbres et autres dangers possibles.
- Un dégagement latéral est essentiel. Placez le trampoline et son enceinte loin des murs, structures, enceintes et autres aires de jeu. Maintenez un espace libre sur tous les côtés du trampoline et de son enceinte. Il est recommandé de laisser un espace d'au moins deux mètres à partir du bord du cadre.
- N'installez jamais le trampoline en cas de forte pluie, de vent ou de tempête, en particulier en cas d'orage. Il est recommandé de démonter et de ranger le trampoline par mauvais temps.
- Placez le trampoline et son enceinte sur une surface plane avant de les utiliser.
- Sécurisez le trampoline et son enceinte pour éviter toute utilisation non autorisée ou non supervisée.
- Retirez tout obstacle sous le trampoline et son enceinte avant de les utiliser.
- Le propriétaire et les personnes chargées de la surveillance du trampoline et de son enceinte sont responsables de sensibiliser tous les utilisateurs aux pratiques spécifiées dans les " Instructions d'utilisation ".

AVERTISSEMENT: **Instructions d'Entretien et de Maintenance**

Inspectez le trampoline et son enceinte avant chaque utilisation et remplacez toute pièce usée, défectueuse ou manquante.

Les conditions suivantes peuvent représenter des dangers potentiels:

1. Rembourrage du cadre, barrière ou système de support de l'enceinte (cadre) et capuchons de poteaux manquants, mal positionnés ou mal fixés.
2. Perforations, effilochages, déchirures ou trous dans le rembourrage du lit ou du cadre, le rembourrage de la barrière ou du système de support de l'enceinte (cadre) et les capuchons des poteaux..
3. Détérioration des coutures ou du tissu du rembourrage du lit ou du cadre, du rembourrage de la barrière ou du système de soutien de l'enceinte (cadre) et des capuchons des poteaux.
4. Cordons de suspension rompus.
5. Cadre ou système de support plié ou cassé.
6. Barrière ou un lit affaissé.
7. Des protubérances pointues sur le cadre ou le système de suspension, ou
8. Des éléments de fixation desserrés ou manquants. Assurez-vous toujours que les pièces sont bien fixées avant chaque utilisation.



AVERTISSEMENT: Instructions d'utilisation

- NE PAS essayer ou permettre de faire des sauts périlleux sur le trampoline. Atterrir sur la tête ou le cou peut provoquer des blessures graves, une paralysie ou la mort, même en atterrissant au milieu du lit.
- Ne pas permettre la présence de plus d'une personne sur le trampoline ou à l'intérieur de l'enceinte du trampoline. L'utilisation par plus d'une personne en même temps peut entraîner des blessures graves.
- Éloignez les objets qui pourraient gêner la personne qui joue dans le trampoline. Maintenez une zone dégagée autour du trampoline. Ne laissez pas d'objets étrangers ou d'animaux sur le trampoline.
- Les enfants ne doivent utiliser le trampoline et l'enceinte du trampoline que sous la surveillance d'un adulte mature et compétent.
- Le trampoline doit être utilisé par des enfants âgés de 3 à 6 ans.
- Le trampoline doit être assemblé dans son intégralité avant chaque utilisation. Tous les cordons de suspension doivent être fixés au cadre. Le couvercle du cadre doit être correctement positionné à tout moment.
- Ne jamais monter le trampoline par forte pluie, vent ou tempête, en particulier en cas d'orage. Il est recommandé de démonter et de ranger le trampoline par mauvais temps.
- Inspectez le trampoline et son enceinte avant chaque utilisation. Assurez-vous que la toile du cadre, le filet de la barrière et le rembourrage de soutien de l'enceinte sont correctement et solidement positionnés. Remplacez toute pièce usée, défectueuse ou manquante.
- L'armature métallique du trampoline et de son enceinte est conductrice d'électricité. Les lampes, les rallonges et tout autre équipement électrique ne doivent jamais entrer en contact avec le trampoline ou la toile du trampoline.
- Portez des vêtements confortables. Retirez vos bijoux, colliers et boucles d'oreilles. Portez des vêtements dépourvus de cordons, de crochets, de boucles ou de tout autre élément qui pourrait se prendre dans les mailles de la barrière.
- Entrez et sortez de l'enceinte uniquement par la porte de l'enceinte ou l'ouverture de la barrière prévue à cet effet. Il est dangereux de sauter du trampoline au sol ou à la porte lorsqu'on en descend, ou de sauter sur le trampoline lorsqu'on y monte. N'utilisez pas le trampoline comme tremplin vers d'autres objets.
- Arrêtez le rebond en vexant les genoux lorsque les pieds entrent en contact avec le lit du trampoline. Formez-vous à cette technique avant d'en essayer d'autres.
- Évitez de rebondir trop haut. Restez bas jusqu'à ce que vous puissiez contrôler le rebond et atterrir plusieurs fois au centre du trampoline. Le contrôle est plus important que la hauteur.
- Tout en gardant la tête droite, dirigez les yeux vers le périmètre du trampoline. Cela aidera à contrôler le rebond.
- Évitez de rebondir lorsque vous êtes fatigué. Faites des virages courts.
- Fixez correctement le trampoline lorsque vous ne l'utilisez pas. Protégez-le contre toute utilisation non autorisée.
- Le surveillant adulte ne doit pas être sous l'influence de l'alcool ou de drogues.
- Pour toute information complémentaire concernant l'équipement de trampoline, contactez le fabricant.
- Pour toute information concernant l'entraînement, contactez un instructeur de trampoline certifié.
- Ne rebondissez que lorsque la surface du lit est sèche. Le vent ou le mouvement de l'air doit être calme à doux. Le trampoline ne doit pas être utilisé en cas de rafales ou de vents violents. Le trampoline doit être démonté ou rangé à l'intérieur pendant ces types de conditions météorologiques.
- Lisez toutes les instructions avant d'utiliser le trampoline et l'enceinte du trampoline. Les avertissements et les instructions concernant le soin, l'entretien et l'utilisation de ce trampoline et de son abri sont inclus afin de promouvoir une utilisation sûre et agréable de cet équipement.
- Ne pas rebondir intentionnellement sur la barrière.
- Ne pas essayer de sauter par-dessus la barrière ou de ramper sous la barrière.
- Ne pas se suspendre, donner des coups de pied, couper ou grimper sur la barrière.
- Ne fixez rien à la barrière qui ne soit pas un accessoire approuvé par le fabricant ou une partie du système de l'enceinte.

Sécurité du trampoline et prévention des accidents

Comme dans la plupart des sports de loisirs, des accidents peuvent survenir aux participants. Cette section couvre les accidents les plus courants. Les responsabilités des personnes chargées de la surveillance et des personnes qui effectuent les sauts en matière de prévention des accidents sont également décrites. Les raisons pour lesquelles des accidents se produisent sont les suivantes:

- Tentative de saut périlleux. Une chute sur la tête ou le cou peut provoquer des blessures graves, une paralysie ou la mort, même en atterrissant au milieu du lit.
- Plus d'une personne sur le trampoline. L'utilisation par plus d'une personne et en même temps peut entraîner des blessures graves.
- Montage et démontage incorrects. Sortie et entrée du trampoline en rampant avec précaution. Ne pas sauter sur le sol pour descendre du trampoline. Ne sautez pas sur le trampoline depuis un toit ou un autre objet. Les jeunes enfants peuvent avoir besoin d'aide pour monter ou descendre du trampoline. Ne pas grimper sur le système de suspension.
- Se heurter au cadre. Restez au centre du trampoline lorsque vous sautez. Vous risquez de vous blesser en heurtant le cadre si vous perdez le contrôle. Assurez-vous que le couvercle du cadre est toujours en place et que les coussins sont bien fixés. Ne sautez pas directement sur le coussin du cadre.
- Perte de contrôle. Un sauteur qui perd le contrôle accroît les risques de blessures. Veillez à vous familiariser avec les sauts de base avant d'effectuer des sauts plus difficiles. Les sauts doivent être maîtrisés et exécutés à plusieurs reprises avant de passer au niveau supérieur. Pour reprendre le contrôle et arrêter votre saut, pliez fortement les genoux à l'atterrissage.
- L'adulte encadreur ne doit pas être sous l'emprise de l'alcool ou de drogues.
- Objets étrangers. Veuillez vous assurer qu'il n'y a rien de pointu sous et autour du trampoline. Le fait de heurter des objets sous le trampoline peut provoquer des blessures. Sauter avec un objet étranger peut également accroître les risques de blessure. Assurez-vous qu'il y a un dégagement adéquat de 2,5 mètres au-dessus et de 1,8 mètres autour du trampoline. Faites attention aux câbles aériens, aux branches d'arbres, etc.
- Mauvais temps. N'utilisez pas votre trampoline en cas de rafales de vent ou de mauvais temps. Le lit ne doit pas être mouillé.
- Mauvais entretien du trampoline. Veillez à inspecter le trampoline avant chaque utilisation. Vérifiez qu'il n'y a pas de perforations sur la toile, de bavures sur le cadre, de coutures défectueuses ou d'élastiques lâches. Si une pièce de rechange est nécessaire, veuillez appeler notre hotline pour vous en procurer une.
- Accès illimité. Le trampoline doit être couvert ou démonté lorsqu'il n'est pas utilisé. Cela empêchera les jeunes enfants non surveillés d'utiliser le trampoline.

Rôle du propriétaire et de la personne chargée de la surveillance dans la prévention des blessures et Responsabilités

Il ruolo del supervisore è assicurarsi che gli utenti conoscano tutte le regole di sicurezza e apprendano i rimbalzi di base. Devono far rispettare tutte le regole di sicurezza e le avvertenze nel manuale, nella struttura e nelle etichette. Quando un supervisore non è disponibile, il trampolino deve essere smontato o coperto per limitare l'accesso. È responsabilità del supervisore che i cartelli con i suggerimenti per la sicurezza del trampolino e per la sicurezza della rete di sicurezza vengano esaminati e tutti i saltatori siano informati sui suggerimenti.

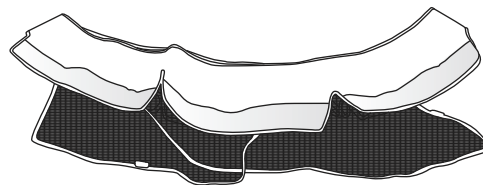
Rôle de l'utilisateur dans la prévention des blessures et responsabilités

Le sauteur doit apprendre tous les rebonds fondamentaux de base avant de tenter des rebonds plus difficiles. Les rebonds bas et contrôlés sont un bon début avant d'apprendre les positions d'atterrissage et les combinaisons de base. Les sauteurs doivent comprendre que le contrôle est la clé d'un saut réussi.

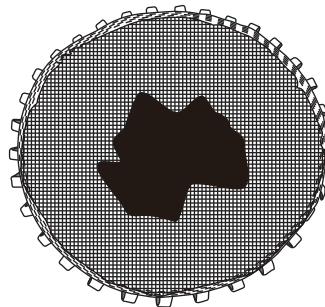
Il est important de suivre les conseils de la pancarte.

Contactez un instructeur de trampoline certifié pour plus d'informations.

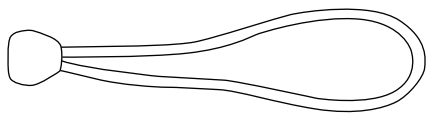
PIÈCES	QTÉ.	ARTICLE
<i>Housse de cadre avec jupe en filet</i>	1	A
<i>Tapis de saut avec filet de protection</i>	1	B
<i>Corde de suspension</i>	30	C
<i>Vis</i>	24	D
<i>Tournevis</i>	1	E
<i>Rail supérieur</i>	6	F
<i>Poteau d'enceinte inférieur et mousse</i>	6	G
<i>Poteau d'enceinte supérieur et mousse</i>	6	H
<i>Tube de jambe</i>	6	K



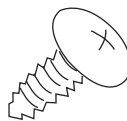
A Housse de cadre avec jupe cousue en maille (1)



B Tapis de saut avec filet de protection cousu (1)



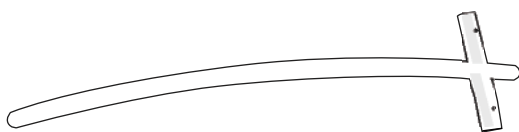
C Cordon de suspension



D Vis



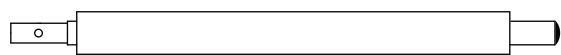
E Tournevis



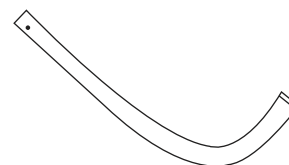
F Rail supérieur



G Filet inférieur et mousse



H Boîtier supérieur : poteau et mousse



K Tube de jambe

Instructions de montage (cadre)

NOTE:

ÉTOUFFEMENT

-Petites pièces. Pas pour les enfants de moins de 3 ans.

ASSEMBLAGE PAR UN ADULTE REQUIS

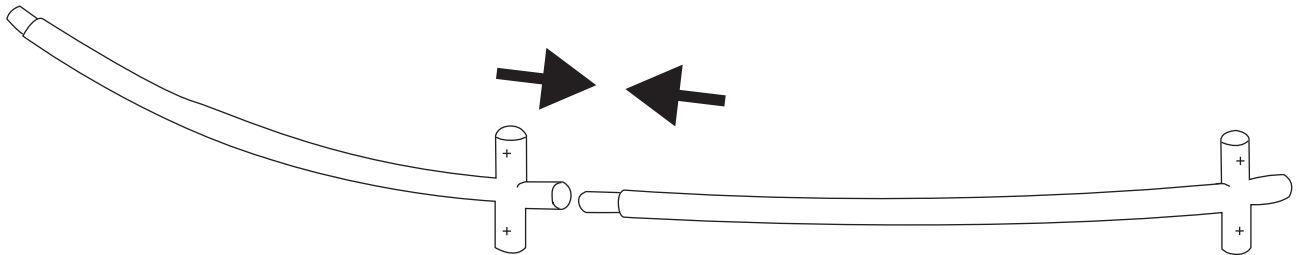
-Contient de petites pièces, des pointes vives et des arêtes vives.

1

Commencez par assembler 2 des rails supérieurs (F) en un arc.

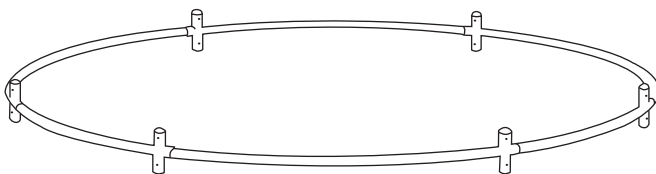
2

Continuez à construire un cercle en ajoutant les 4 longerons supérieurs restants (F) à l'arc que vous avez créé à l'étape 1.



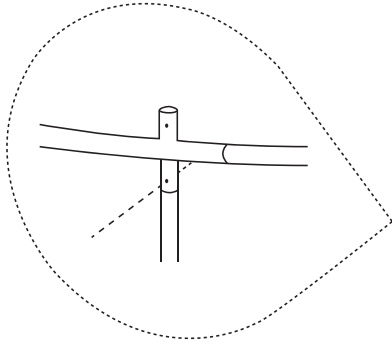
3

Pour joindre les 2 extrémités libres du cercle, il peut vous être nécessaire de placer le cadre sur le bord et d'appuyer vers le bas sur les 2 extrémités, tout en les connectant ensemble.

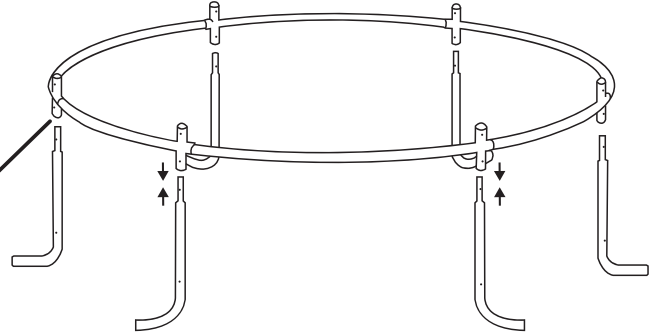


4

Avec le cadre du rail supérieur (F) relié en cercle, posez-le à plat sur le sol (chaque côté vers le haut, ils sont identiques). Insérez ensuite l'extrémité effilée de chacun des 6 tubes de jambe (K) dans les 6 douilles de jambe qui sont orientées vers le haut, comme indiqué. Les courbes doivent toutes pointer vers l'extérieur, loin du centre du trampoline.

**5**

Alignez le trou de vis dans le tube de jambe (k) avec le trou dans la douille de jambe. Fixez ensuite avec une vis et serrez. **NE PAS TROP SERRER.** Répétez l'opération jusqu'à ce que les 6 pieds soient solidement fixés au cadre du rail supérieur (F) à l'aide de vis (D).



Instructions de montage (toile de saut)

NOTE:

ÉTOUFFEMENT

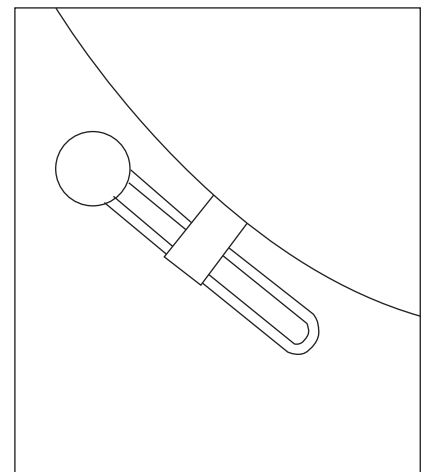
-Petites pièces. Pas pour les enfants de moins de 3 ans.

ASSEMBLAGE PAR UN ADULTE REQUIS

-Contient de petites pièces, des pointes vives et des arêtes vives.

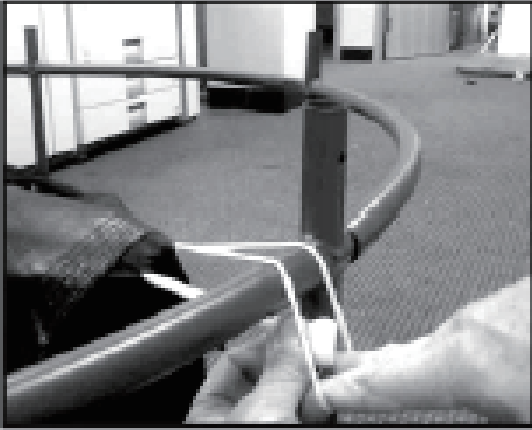
1

Disposez la toile de saut (B) au centre du cadre. Faites ensuite glisser un cordon de suspension (C) de gauche à droite dans la boucle cousue comme indiqué.



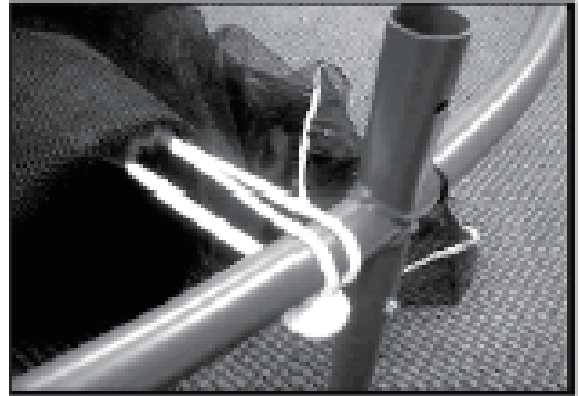
2

Utilisez votre main droite pour étirer l'extrémité de la boucle de la corde (C) PAR-DESSUS la traverse supérieure (F) et votre main gauche pour tirer l'extrémité sphérique de la corde (C) SOUS la traverse de la traverse (F), puis enfoncez la balle dans la boucle.



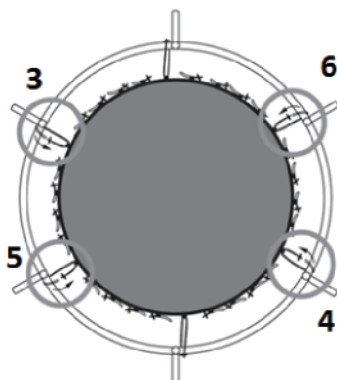
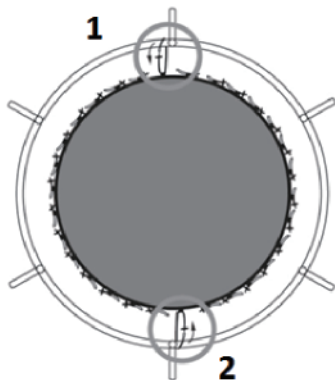
3

Relâchez LENTEMENT l'extrémité de la boucle du cordon de sorte qu'elle capture le bouton, verrouillant le cordon de suspension (C) en place, comme illustré.



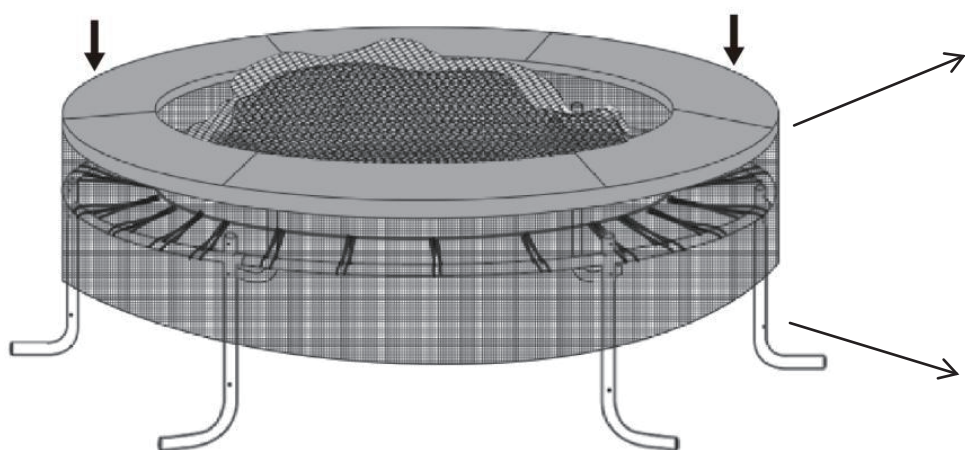
4

À partir de la 1ère corde attachée, comptez autour de la toile de saut jusqu'à la 16ème boucle. Comme l'image montre la position 1 et 2. Répétez ensuite l'étape 1 à l'étape 3 pour fixer la position 3,4,5,6. Enfin, fixez uniformément tous les cordons de suspension (C). Ce faisant, il assurera une tension uniforme autour de toute la toile de saut (B).



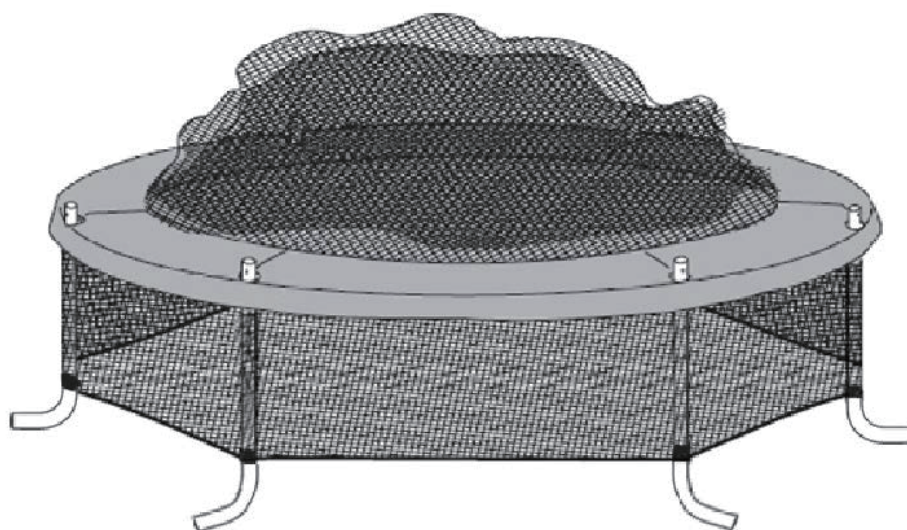
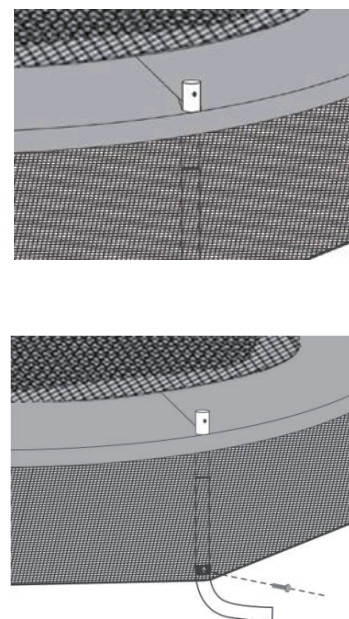
5

Placez la housse de cadre avec la maille de jupe cousue (A) sur le cadre principal du trampoline. Entre chaque section du coussin de couverture de cadre, il y a un trou intégré pour fixer le coussin au tube de jambe/douille de jambe du boîtier.



6

Tirez la maille de jupe cousue vers le bas, alignez le trou sur la maille et le tube de jambe. Fixez le treillis de la jupe au tube de jambe à l'aide des vis (D) et serrez-les avec le tournevis (E).



Instructions de montage (filet d'enceinte de sécurité)

NOTE:

ÉTOUFFEMENT

-Petites pièces. Pas pour les enfants de moins de 3 ans.

ASSEMBLAGE PAR UN ADULTE REQUIS

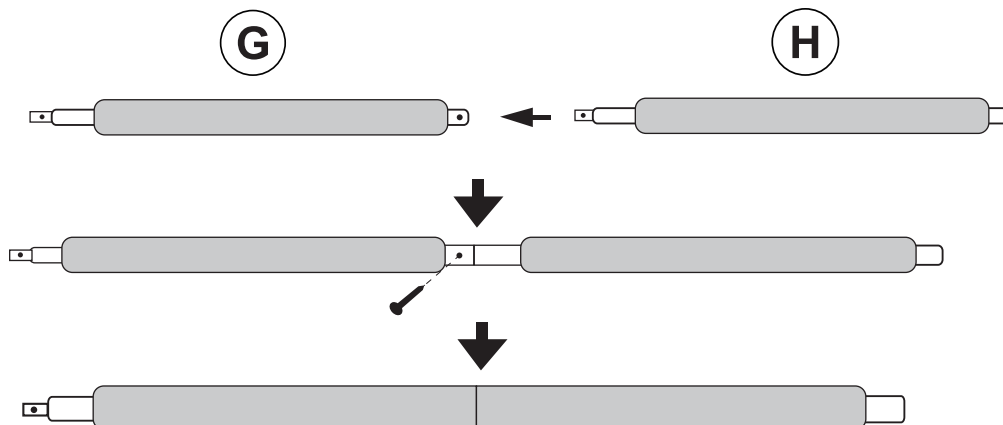
-Contient de petites pièces, des pointes vives et des arêtes vives.

1

Insérez l'extrémité de plus petit diamètre d'un poteau supérieur du boîtier (H) dans l'extrémité de plus grand diamètre d'un poteau inférieur du boîtier (G) et alignez les trous de vis. (Vous devrez peut-être faire glisser les manchons en mousse préinstallés pour accéder aux extrémités des poteaux.)

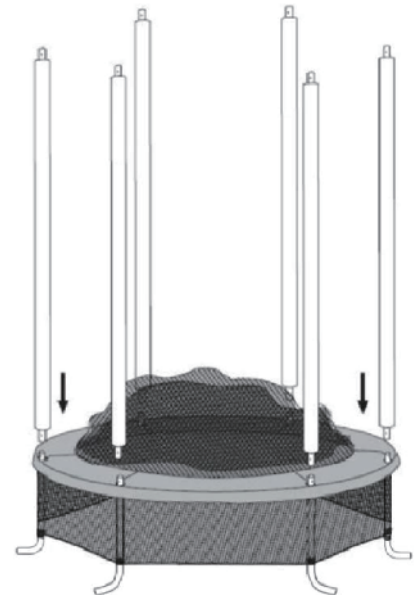
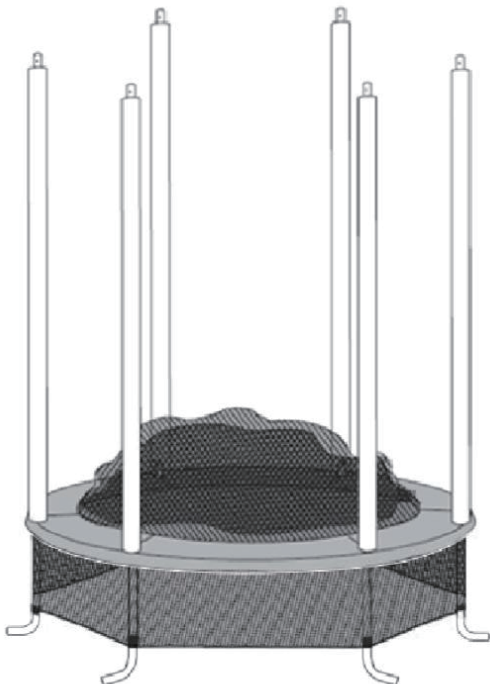
2

Insérez la vis (D) et serrez. **NE SERREZ PAS TROP !** Répétez les étapes 1 et 2 pour assembler les 5 ensembles restants de poteaux supérieur (H) et inférieur (G).



3

Insérez l'extrémité inférieure du poteau inférieur du boîtier (G) dans la prise sur le cadre, comme illustré. Alignez les trous de vis.

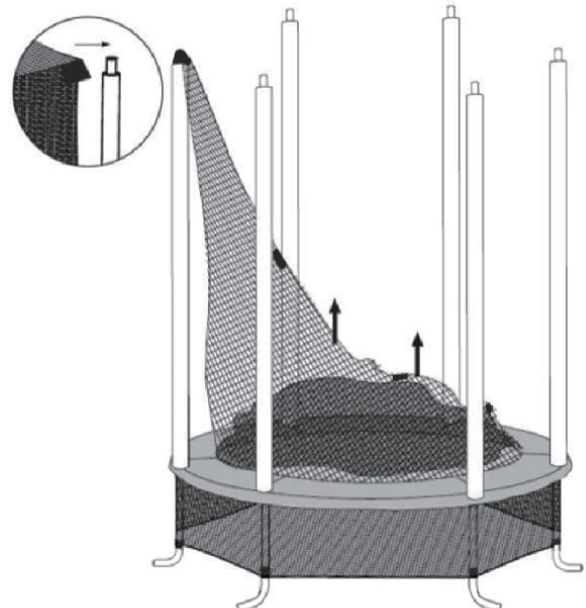


4

Insérez la vis (D) et serrez.
NE SERREZ PAS TROP !
Répétez l'étape 3 pour les 5 autres pôles de boîtier (G).
Quand c'est fait, ça ressemble à ce que c'est fait.

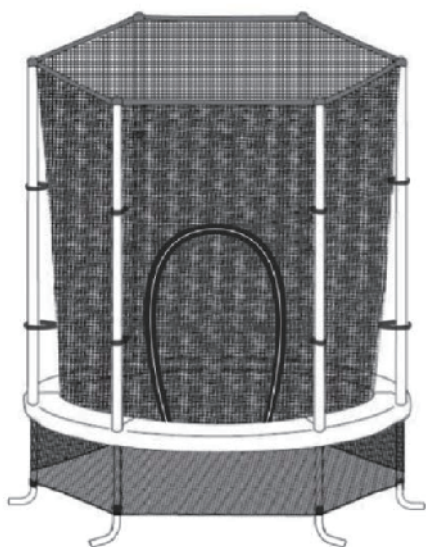
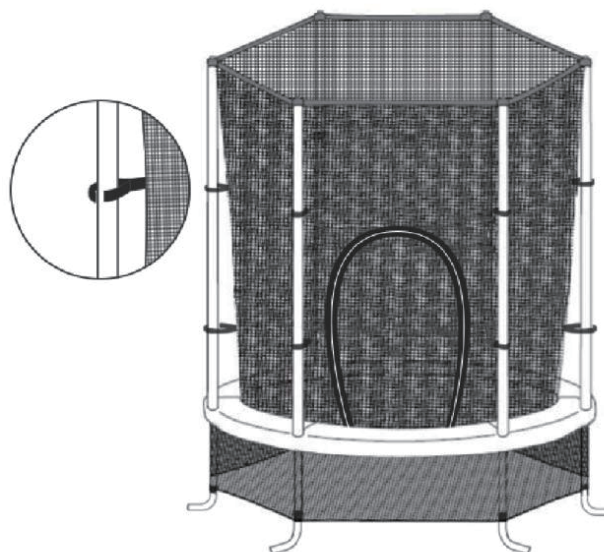
5

Fixez le filet de protection au sommet du tube du poteau.



6

Localisez les ensembles supérieur et inférieur de fixations auto-agrippantes cousues au filet de l'enclos. Enroulez fermement les attaches auto-agrippantes supérieures et inférieures autour du poteau de l'enclos pour fixer le filet en place.

**7**

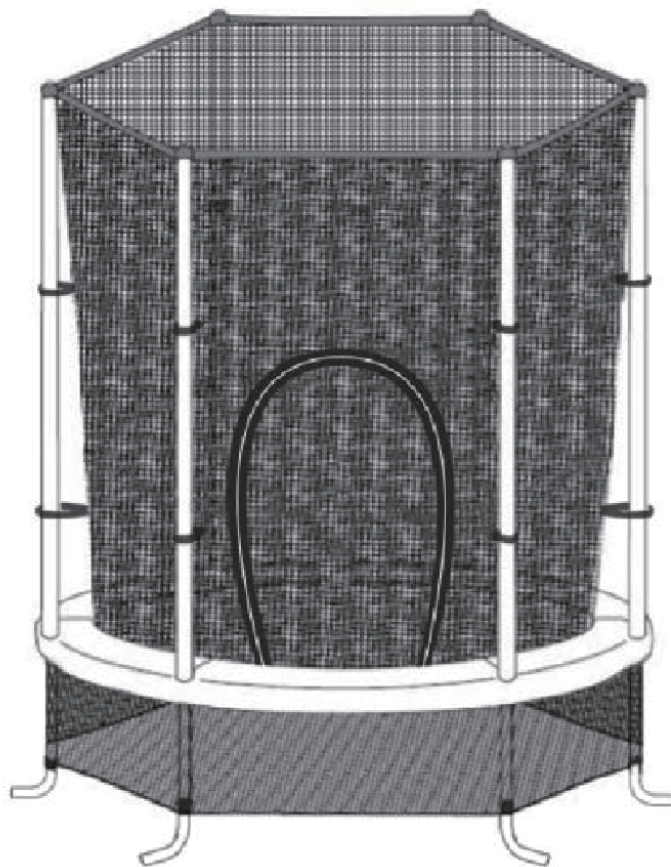
Répétez l'étape 6 avec les attaches auto-agrippantes supérieures et inférieures restantes sur les 5 autres poteaux de l'enceinte. Une fois terminé, le trampoline est comme illustré. Le montage est maintenant terminé, et le trampoline est prêt à sauter !

Démontage

Pour démonter, il suffit de suivre les INSTRUCTIONS DE MONTAGE-CADRE, TOILE DE SAUT, FILET DE SÉCURITÉ dans l'ordre inverse, jusqu'à ce que vous ayez démonté le trampoline.

55 MINI TRAMPOLIN & SICHERHEITSNETZ

DE



CE



Lesen Sie dieses Material vor dem Zusammenbau und der Verwendung dieses Trampolins und der Trampolinumrandung.

Bewahren Sie dieses Handbuch auf, damit Sie später darin nachschlagen können.

NUR zur Verwendung durch Kinder im Alter von 3 bis 6 Jahren.

Maximales Benutzergewicht 45kg.

MONTAGE VON ERWACHSENEN ERFORDERLICH - Enthält Kleinteile, scharfe Spitzen und scharfe Kanten.

ERSTICKUNGSGEFAHR - Kleinteile - nicht für Kinder unter 3 Jahren geeignet.

MONTAGEANLEITUNG

Produktabmessungen: Ø140*H190cm

SICHERHEITS- UND GEBRAUCHSANWEISUNGEN

Achtung: Das Trampolin muss von einem Erwachsenen gemäß der Montageanleitung zusammengebaut und vor der ersten Benutzung überprüft werden.

Achtung: Befolgen Sie die Anweisungen des Herstellers, wenn Sie mit/ohne Schuhe springen.

Achtung: Leeren Sie Ihre Taschen und Hände, bevor Sie springen.

Achtung: Springen Sie immer in der Mitte der Matte, nicht an den Seiten.

Achtung: Essen Sie nicht, während Sie springen.

Achtung: Jeder Sprung sollte 30 Minuten nicht überschreiten, und es ist eine Ruhezeit von mindestens 10 Minuten erforderlich.

Achtung: Stellen Sie sicher, dass die Netztür vor dem Springen geschlossen ist.

Trampoline dürfen nicht im Boden vergraben werden.

Trampoline sollten nicht auf Beton, Asphalt oder anderen harten Oberflächen oder in der Nähe von nicht kompatiblen Einrichtungen (z.B. Planschbecken, Rutschen, Kletterstrukturen) installiert werden.

Jegliche Modifikationen, die vom Verbraucher am ursprünglichen Trampolin vorgenommen werden (wie z.B. das Hinzufügen von Zubehör), müssen gemäß den Anweisungen des Herstellers erfolgen.

WARTUNGSANWEISUNGEN

Während der Wintermonate können Schnee und extrem niedrige Temperaturen das Trampolin beschädigen. Es wird empfohlen, den Schnee zu räumen und die Matte und Abdeckung im Innenbereich zu lagern.

Ersetzen Sie regelmäßig jedes Jahr die Netze und Polster und überprüfen Sie, ob die Struktur stabil ist, um Sicherheit zu gewährleisten.

WARNUNG:

Lesen Sie dieses Material, bevor Sie dieses Trampolin zusammenbauen und verwenden.

Haftung

Obwohl wir uns bemühen, alle Geräte mit einem Höchstmaß an Schutz auszustatten, können wir nicht für die Freiheit von Verletzungen garantieren. Der Benutzer trägt alle Risiken von Verletzungen, die durch die Verwendung entstehen können. Alle Waren werden unter dieser Bedingung verkauft, die kein Vertreter des Unternehmens aufheben oder ändern kann.



WARNUNG:

Zusätzlich zu den Anweisungen und Vorsichtsmaßnahmen, die mit Ihrem Trampolin geliefert wurden, müssen Sie bei der Verwendung der Trampolinsicherheitsumrandung die folgenden Vorsichtsmaßnahmen beachten.

- Versuchen Sie NICHT, auf dem Trampolin Purzelbäume zu schlagen, und lassen Sie dies auch nicht zu. Eine Landung auf dem Kopf oder im Nacken kann schwere Verletzungen, Lähmungen oder den Tod verursachen, selbst wenn Sie in der Mitte des Bettes landen.
- Lassen Sie nicht mehr als eine Person auf das Trampolin oder in der Trampolinumrandung. Die Verwendung durch mehr als eine Person zur gleichen Zeit kann zu schweren Verletzungen führen.
- Der Metallrahmen der Trampolinumrandung leitet Elektrizität. Lichter, Verlängerungskabel und alle anderen Elektrogeräte dürfen niemals mit der Umrandung in Kontakt kommen.
- Überprüfen Sie die Umrandung vor jeder Verwendung. Stellen Sie sicher, dass die Gurte und alle Teile richtig und sicher positioniert und angebracht sind. Ziehen Sie alle losen Teile fest. Ersetzen Sie alle abgenutzten, defekten oder fehlenden Teile.
- Tragen Sie bequeme Kleidung ohne Haken, Druckknöpfe, Kordeln oder andere Gegenstände, die sich in den Maschen der Sicherheitsumrandung verfangen oder verhaken könnten. Entfernen Sie Schmuck, Halsketten und Ohrringe.
- Klettern Sie nur durch den Eingang der Sicherheitsumrandung auf das Trampolin und schließen Sie den Eingang sicher ab. Benutzer, insbesondere Kinder, dürfen nicht versuchen, zwischen dem Rahmen des Trampolins und der Umrandung hinein- oder hinauszugehen. Dies kann eine Erdrasselung zur Folge haben.
- Berühren Sie während der Verwendung des Trampolins nicht das Netz der Sicherheitsumrandung und lassen Sie sich nicht daran abprallen.
- Lesen Sie alle Anweisungen und schließen Sie den Zusammenbau ab, bevor Sie Ihr Kind das Trampolin und die Sicherheitsumrandung verwenden lassen.
- Verwenden Sie das Trampolin und die Trampolinumrandung nur unter Aufsicht von erfahrenen Erwachsenen.

**NUR für die Verwendung in der Freizeit. Nicht für die professionelle Verwendung.
Die Gewichtsgrenze für Benutzer des Trampolins und der Umrandung beträgt 45 kg.**



WARNUNG:

Montage- und Installationsanleitung

- MONTAGE VON ERWACHSENEN ERFORDERLICH - Enthält Kleinteile, scharfe Spitzen und scharfe Kanten.
- ERSTICKUNGSGEFAHR - Kleinteile - Nicht für Kinder unter 3 Jahren geeignet.
- NUR zur Verwendung durch Kinder im Alter von 3 bis 6 Jahren.
- Maximales Benutzergewicht: 45 kg.
- Ausreichender Freiraum über dem Boden ist erforderlich. Ein Mindestabstand von 8 Fuß vom Erdboden wird empfohlen. Achten Sie auf genügend Abstand zu Drähten, Baumästen und anderen möglichen Gefahrenquellen.
- Seitlicher Freiraum ist unerlässlich. Bringen Sie das Trampolin und die Trampolinumrandung nicht in der Nähe von Wänden, Strukturen, Zäunen und anderen Spielbereichen an. Halten Sie an allen Seiten des Trampolins und der Trampolinumrandung einen Freiraum aufrecht. Ein Mindestabstand von sechs Fuß vom Rand des Rahmens wird empfohlen.
- Stellen Sie das Trampolin niemals bei schwerem Regen, Wind oder Sturm, insbesondere bei Gewitter, auf. Es wird empfohlen, das Trampolin bei schlechtem Wetter zu zerlegen und zu lagern.
- Bringen Sie das Trampolin und die Trampolinumrandung vor der Verwendung auf einer ebenen Oberfläche an.
- Sichern Sie das Trampolin und die Trampolinumrandung vor unbefugter und unbeaufsichtigter Verwendung.
- Entfernen Sie vor der Verwendung alle Hindernisse unter dem Trampolin und der Trampolinumrandung.
- Der Eigentümer und die Aufsichtspersonen des Trampolins und der Trampolinumrandung sind dafür verantwortlich, alle Benutzer auf die in den „Anweisungen zur Verwendung“ aufgeführten Praktiken aufmerksam zu machen.



WARNUNG:

Anweisungen zur Pflege und Wartung

Überprüfen Sie das Trampolin und die Trampolinumrandung vor jeder Verwendung und ersetzen Sie alle abgenutzten, defekten oder fehlenden Teile.

Die folgenden Bedingungen können potenzielle Gefahren darstellen:

1. Fehlende, falsch positionierte oder unsicher angebrachte Polsterungen des Rahmens, der Begrenzung oder des Stützsystems der Umrandung (des Rahmens) sowie Stangenkappen.
2. Einstiche, Ausfransungen, Risse oder Löcher in der Polsterung des Sprungbetts oder des Rahmens, der Polsterung der Begrenzung oder des Stützsystems der Umrandung (des Rahmens) und der Stangenkappen.
3. Verschleiß der Nähte oder des Gewebes der Polsterung des Bettes oder des Rahmens, der Polsterung des Stützsystems der Begrenzung oder der Stützsystems der Umrandung (Rahmen) und der Stangenkappen.
4. Gerissene Spannseile.
5. Ein gebogener oder gebrochener Rahmen oder Stützsystem.
6. Eine durchhängende Begrenzung oder Bett.
7. Scharfe Vorsprünge am Rahmen oder Stützsystem, oder
8. Gelöste oder fehlende Beschläge. Stellen Sie immer sicher, dass die Beschläge vor jeder Verwendung fest sitzen.



WARNUNG:

Anweisungen zur Verwendung

- Versuchen Sie NICHT, auf dem Trampolin Purzelbäume zu schlagen, und lassen Sie dies auch nicht zu. Eine Landung auf dem Kopf oder im Nacken kann schwere Verletzungen, Lähmungen oder den Tod verursachen, selbst wenn Sie in der Mitte des Bettes landen.
- Lassen Sie nicht mehr als eine Person auf das Trampolin oder in der Trampolinumrandung. Die Verwendung durch mehr als eine Person zur gleichen Zeit kann zu schweren Verletzungen führen. Bewahren Sie Gegenstände auf, die den Ausführenden stören könnten. Halten Sie einen Freiraum um das Trampolin herum.
- Keine Fremdkörper oder Tiere auf das Trampolin lassen.
- Kinder sollten das Trampolin und die Trampolinumrandung nur unter Aufsicht von Erwachsenen verwenden, die über entsprechende Kenntnisse verfügen.
- Das Trampolin ist für die Verwendung durch Kinder im Alter von 3 bis 6 Jahren geeignet.
- Das Trampolin sollte vor jeder Verwendung vollständig zusammengebaut werden. Alle Spannseile müssen am Rahmen angebracht sein. Die Abdeckung des Rahmens muss zu jeder Zeit richtig positioniert sein.
- Stellen Sie das Trampolin niemals bei schwerem Regen, Wind oder Sturm, insbesondere bei Gewitter, auf. Es wird empfohlen, das Trampolin bei schlechtem Wetter zu zerlegen und zu lagern.
- Überprüfen Sie das Trampolin und die Umrandung vor jeder Verwendung. Stellen Sie sicher, dass die Abdeckung des Rahmens, das Begrenzungsnetz und die Polsterung des Stützsystems richtig und sicher positioniert sind. Ersetzen Sie alle abgenutzten, defekten oder fehlenden Teile.
- Der Metallrahmen des Trampolins und der Trampolinumrandung leitet Elektrizität. Lichter, Stromkabel und alle anderen elektrischen Geräte dürfen niemals mit dem Trampolin oder der Trampolinumrandung in Kontakt kommen.
- Tragen Sie bequeme Kleidung. Entfernen Sie Schmuck, Halsketten und Ohrringe. Tragen Sie Kleidung ohne Haken, Schlaufen oder sonstige Gegenstände, die sich in den Begrenzungsnetzen verfangen können.
- Betreten und verlassen Sie die Umrandung nur an der Tür der Umrandung oder der Öffnung der Begrenzung, die für diesen Verwendungszweck vorgesehen ist. Es ist gefährlich, beim Absteigen vom Trampolin auf die Erde oder den Boden zu springen oder bei beim Besteigen auf das Trampolin zu springen. Benutzen Sie das Trampolin nicht als Sprungbrett für andere Objekte.
- Stoppen Sie das Springen, indem Sie die Knie beugen, wenn die Füße mit dem Trampolinbett in Kontakt kommen. Lernen Sie diese Fähigkeit, bevor Sie andere versuchen.
- Vermeiden Sie es, zu hoch zu hüpfen. Bleiben Sie so tief, bis Sie die Sprungkraft kontrollieren und wiederholt in der Mitte des Trampolins landen können. Die Kontrolle ist wichtiger als die Höhe.
- Halten Sie den Kopf aufrecht und konzentrieren Sie Ihren Blick auf das Trampolin in Richtung des Randes. Das hilft Ihnen, die Sprungkraft zu kontrollieren.
- Vermeiden Sie das Springen, wenn Sie müde sind. Schränken Sie die Sprungzeit ein.
- Sichern Sie das Trampolin ordnungsgemäß, wenn es nicht verwendet wird. Schützen Sie es vor unbefugter Verwendung.
- Die erwachsene Aufsichtsperson darf nicht unter dem Einfluss von Alkohol oder Drogen stehen.
- Für zusätzliche Daten zum Gerät kontaktieren Sie bitte den Hersteller.
- Für Daten zum Training der Fähigkeiten kontaktieren Sie bitte einen zertifizierten Trampolinlehrer.
- Springen Sie nur, wenn die Oberfläche des Bettes trocken ist. Der Wind oder die Luftbewegung sollte ruhig bis leicht sein. Das Trampolin darf nicht bei böigem oder starkem Wind verwendet werden. Das Trampolin sollte bei solchen Wetterbedingungen zerlegt oder drinnen gelagert werden.
- Lesen Sie alle Anweisungen, bevor Sie das Trampolin und die Trampolinumrandung verwenden. Warnungen und Anweisungen zur Pflege, Wartung und Verwendung dieses Trampolins und der Trampolinumrandung werden mitgeliefert, um die sichere und angenehme Verwendung des Geräts zu steigern.
- Springen Sie nicht absichtlich gegen die Begrenzung.
- Versuchen Sie nicht, über die Begrenzung zu springen oder unter die Begrenzung zu kriechen.
- Hängen Sie nicht an die Begrenzung, treten Sie nicht dagegen, schneiden Sie sie nicht und klettern Sie nicht darauf.
- Befestigen Sie keine Gegenstände an der Netzumrandung, die nicht vom Hersteller zugelassenes Zubehör oder Teil des Feldsystems sind.

Trampolinsicherheit und Unfallverhütung

Wie bei den meisten Freizeitsportarten können die Teilnehmer verletzt werden. Dieser Abschnitt deckt die allgemeinsten Unfälle ab. Die Verantwortlichkeiten der Aufsichtspersonen und Springer bei der Unfallverhütung werden ebenfalls erläutert.

Folgendes sind die Gründe, warum Unfälle passieren:

- Der Versuch, einen Salto zu schlagen. Eine Landung auf dem Kopf oder im Nacken kann schwere Verletzungen, Lähmungen oder den Tod verursachen, selbst wenn Sie in der Mitte des Bettes landen.
- Mehr als eine Person auf dem Trampolin. Die Verwendung durch mehr als eine Person zur gleichen Zeit kann zu schweren Verletzungen führen.
- Falsche Anbringung und Demontage. Sorgen Sie dafür, dass Sie vorsichtig aus dem und in das Trampolinbett krabbeln. Springen Sie nicht auf den Boden. Springen Sie nicht von einem Dach oder einem anderen Gegenstand auf das Trampolin. Kleinkinder können Hilfe benötigen, um auf das Trampolin ein oder auszusteige. Stellen Sie sich nicht auf das Spannsystem.
- Anstoßen an den Rahmen. Bleiben Sie beim Springen in der Mitte des Trampolins. Wenn Sie die Kontrolle über das Trampolin verlieren, kann es zu Verletzungen kommen, wenn Sie gegen den Rahmen stoßen. Achten Sie darauf, dass die Abdeckung des Rahmens immer montiert ist und die Felder sicher befestigt sind. Springen Sie nicht direkt auf das Feld des Rahmens.
- Verlust der Kontrolle. Ein Springer, der die Kontrolle verliert, erhöht sein Verletzungsrisiko. Machen Sie sich unbedingt mit den grundlegenden Sprüngen vertraut, bevor Sie weitere Sprünge wagen. Sie sollten die Sprünge beherrschen und sie wiederholt durchführen, bevor Sie sich zum nächsten Niveau bewegen. Um die Kontrolle wiederzuerlangen und Ihren Sprung zu stoppen, biegen Sie bei der Landung die Knie stark.
- Die erwachsene Aufsichtsperson darf nicht unter dem Einfluss von Alkohol oder Drogen stehen.
- Fremdkörper. Stellen Sie sicher, dass sich keine scharfen Gegenstände unter und um das Trampolin befinden. Das Auftreffen auf Gegenstände unter dem Trampolin kann Verletzungen verursachen. Das Springen mit einem Fremdkörper kann auch das Risiko erhöhen, sich zu verletzen. Achten Sie darauf, dass sich 8 Fuß über und 6 Fuß um das Trampolin herum ein ausreichender Freiraum befindet. Achten Sie auf Verkabelungen, Baumstämme usw.
- Schlechtes Wetter. Verwenden Sie Ihr Trampolin nicht bei böigem Wind oder schlechtem Wetter. Das Bett sollte nicht nass sein.
- Schlechte Wartung des Trampolins. Stellen Sie sicher, dass Sie das Trampolin vor jeder Verwendung inspizieren. Prüfen Sie es auf Einstiche am Bett, scharfe Grate am Rahmen, verschlissene Nähte oder lockere Elastikbänder. Wenn Sie ein Ersatzteil benötigen, rufen Sie bitte Ihre Bestellung bei unserer Hotline an.
- Uneingeschränkter Zugang. Das Trampolin sollte abgedeckt oder abgebaut werden, wenn es nicht verwendet wird. Dadurch wird verhindert, dass unbeaufsichtigte Kleinkinder das Trampolin verwenden.

Die Rolle des Eigentümers und des Aufsichtspersonals bei der Vorbeugung von Verletzungen & Verantwortlichkeiten

Die Aufgabe des Aufsichtspersonals besteht darin sicherzustellen, dass die Benutzer alle Sicherheitsregeln kennen und die grundlegenden Sprünge lernen. Sie müssen alle Sicherheitsregeln und Warnungen im Handbuch, im Rahmen und auf den Etiketten durchsetzen. Wenn keine Aufsichtsperson zur Verfügung steht, kann das Trampolin demontiert oder abgedeckt werden, um den Zugang zu beschränken. Die Aufsichtsperson ist dafür verantwortlich, dass die Schilder mit den Sicherheitstipps für das Trampolin und die Umrandung überprüft und alle Springer über die Tipps informiert werden.

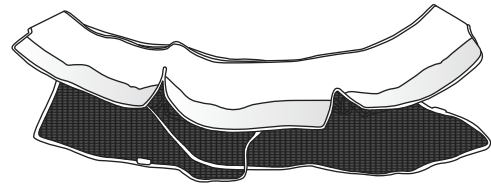
Die Rolle des Benutzers bei Vorbeugung von Verletzungen & Verantwortlichkeiten

Der Springer muss zunächst alle grundlegenden Sprünge kennenlernen, bevor er sich an anspruchsvollere Sprünge wagt. Niedrige, kontrollierte Sprünge sind ein guter Start, bevor die grundlegenden Landepositionen und Kombinationen gelernt werden. Die Springer müssen verstehen, dass die Kontrolle der Schlüssel für einen erfolgreichen Sprung ist.

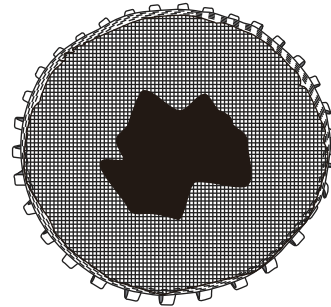
Es ist wichtig, den Tipps auf dem Schild zu folgen.

Kontaktieren Sie einen zertifizierten Trampolintrainer für weitere Daten.

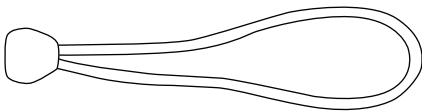
TEILE	QTY.	ARTIKEL
Rahmenabdeckung mit Skirt	1	A
Mesh Sprungmatte mit encl.	1	B
Mesh Aufhängeschnur	30	C
Schraube	24	D
Schraubendreher	1	E
Obere Schiene	6	F
Unterer Gehäusepol und Schaum	6	G
Oberer Gehäusepol und Schaum	6	H
Beinrohr	6	K



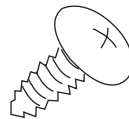
A Rahmenabdeckung mit angenähertem Rocknetz (1)



B Sprungmatte mit angenähertem Gehege Mesh (1)



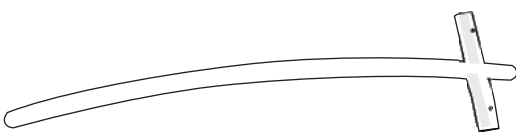
C Aufhängeschnur



D Schraube



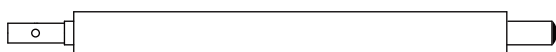
E Schraubenzieher



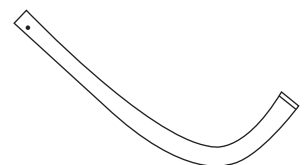
F Obere Schiene



G Untere Gehäusestange & Schaum



H Oberes Gehäuse: Stange & Schaum



K Beinrohr

Montageanleitung (Rahmen)

ANMERKUNG:

ERSTICKUNGSGEFAHR

-Kleinteile. Nicht für Kinder unter 3 Jahren.

MONTAGE DURCH ERWACHSENE ERFORDERLICH

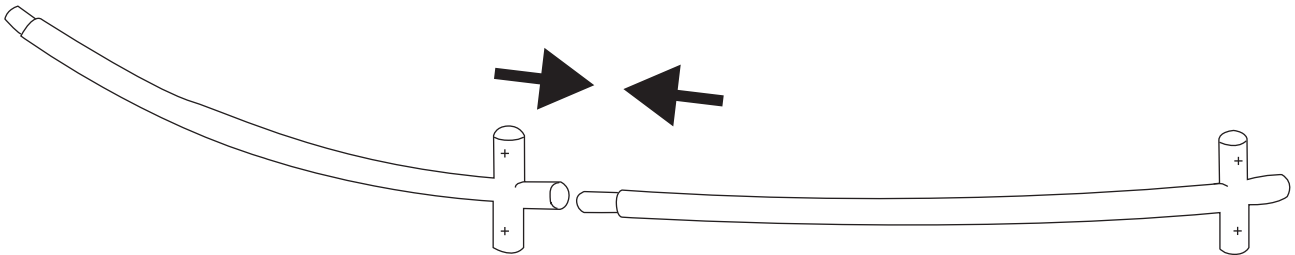
-Enthält Kleinteile, scharfe Spitzen und scharfe Kanten.

1

Beginnen Sie damit, 2 der oberen Schienen (F) zu einem Bogen zusammenzusetzen.

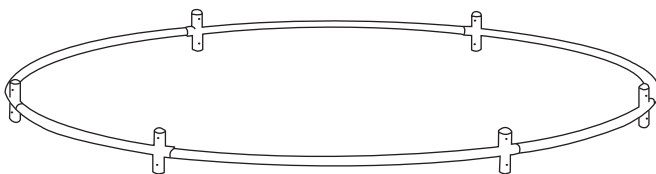
2

Fahren Sie mit dem Erstellen eines Kreises fort, indem Sie die restlichen 4 oberen Schienen (F) zu dem Bogen hinzufügen, den Sie in Schritt 1 erstellt haben.



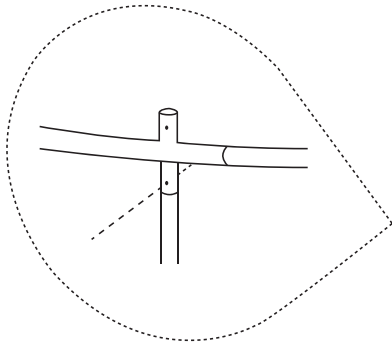
3

Wenn Sie die 2 losen Enden des Kreises miteinander verbinden, müssen Sie den Rahmen möglicherweise hochkant stellen und an den 2 Enden nach unten drücken, während Sie sie miteinander verbinden.

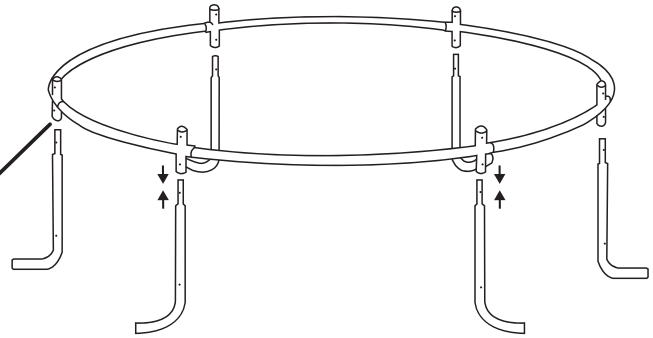


4

Wenn der obere Schienenrahmen (F) zu einem Kreis verbunden ist, legen Sie ihn flach auf den Boden (beide Seiten zeigen nach oben – sie sind identisch). Führen Sie dann das konische Ende jedes der 6 Beinrohre (K) wie abgebildet in die 6 Beinpfannen ein, die nach oben zeigen. Die Kurven sollten alle nach oben zeigen – weg von der Mitte des Trampolins.

**5**

Richten Sie das Schraubenloch im Beinrohr (k) mit dem Loch in der Beinpfanne aus. Anschließend mit einer Schraube sichern und festziehen. NICHT ZU FEST ANZIEHEN. Wiederholen Sie diesen Vorgang, bis alle 6 Beine mit Schrauben (D) sicher am Rahmen der oberen Schiene (F) befestigt sind.



Aufbauanleitung (Sprungtuch)

ANMERKUNG:

ERSTICKUNGSGEFAHR

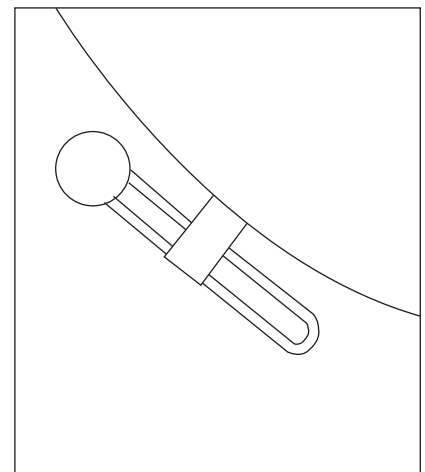
-Kleinteile. Nicht für Kinder unter 3 Jahren.

MONTAGE DURCH ERWACHSENE ERFORDERLICH

-Enthält Kleinteile, scharfe Spitzen und scharfe Kanten.

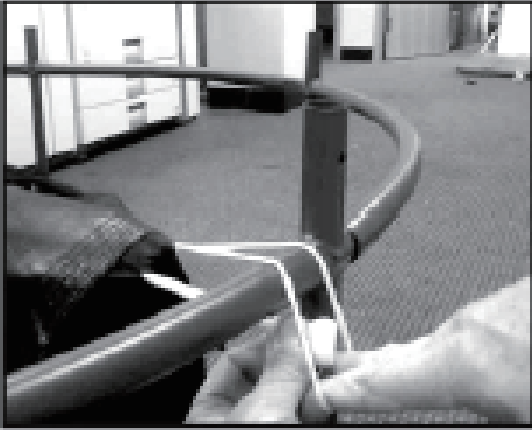
1

Lege die Sprungmatte (B) in die Mitte des Rahmens. Schieben Sie dann eine Aufhängeschnur (C) wie abgebildet von links nach rechts durch die eingenähte Schlaufe.

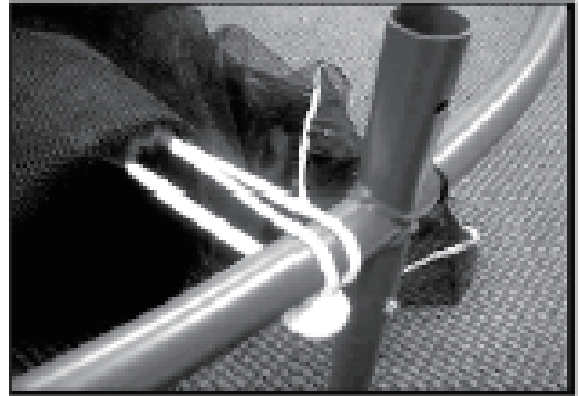


2

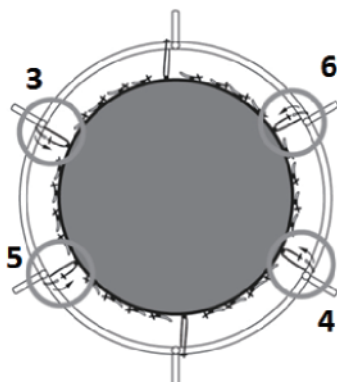
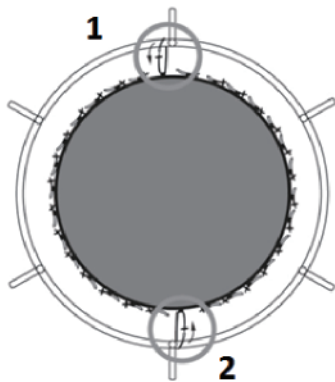
Strecken Sie mit der rechten Hand das Schlaufenende der Schnur (C) ÜBER die obere Schiene (F) und mit der linken Hand ziehen Sie das Kugelumende der Schnur (C) UNTER die obere Schiene (F) und drücken Sie dann die Kugel durch die Schlaufe.

**3**

Lassen Sie das Schlaufenende der Schnur LANGSAM los, so dass es den Knopf erfasst und die Aufhängeschnur (C) wie abgebildet verriegelt.

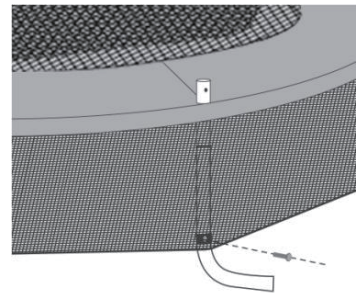
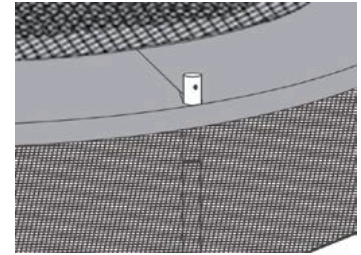
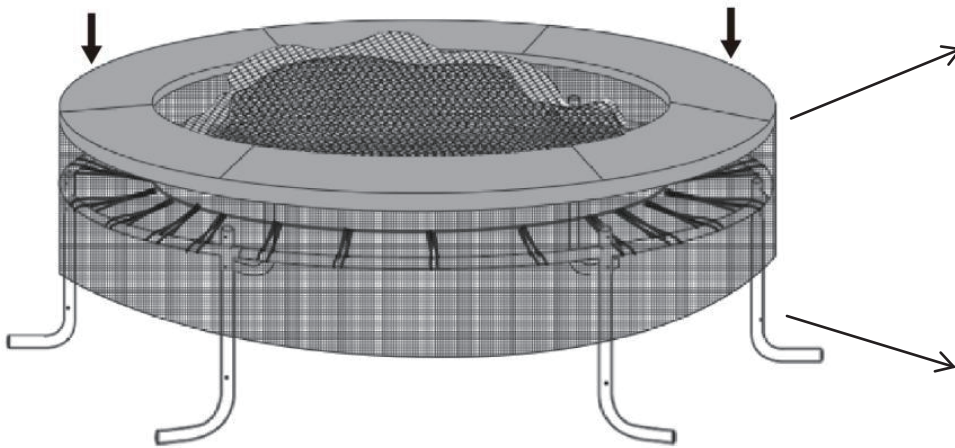
**4**

Ab der 1. angebrachten Schnur um die Sprungmatte herum bis zur 16. Schlaufe zählen. Wie auf dem Bild gezeigt, zeigen Sie Position 1&2. Wiederholen Sie dann Schritt 1 bis Schritt 3, um die Position 3,4,5,6 zu fixieren. Zum Schluss befestigen Sie alle Aufhängeschnüre (C) gleichmäßig. Auf diese Weise wird eine gleichmäßige Spannung um die gesamte Sprungmatte (B) gewährleistet.



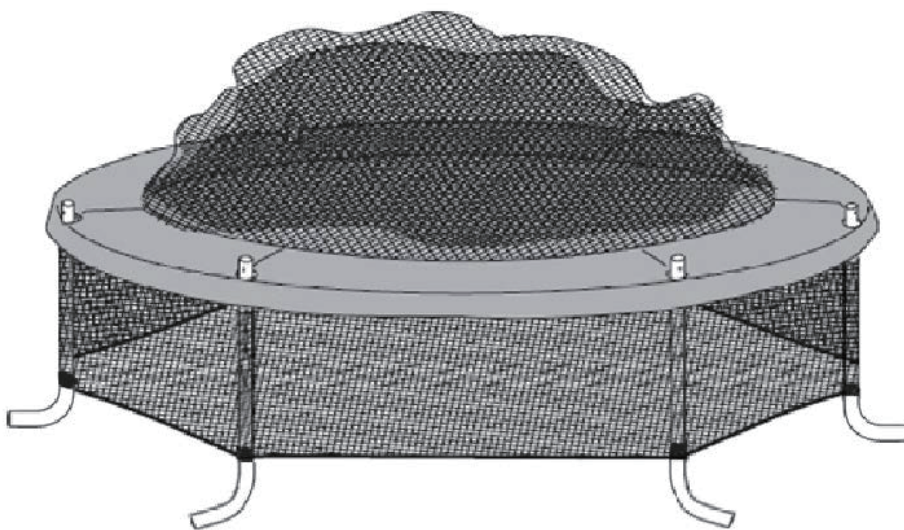
5

Platzieren Sie die Rahmenabdeckung mit angenähtem Skirt Mesh (A) auf dem Hauptrahmen des Trampolins. Zwischen jedem Abschnitt des Frame Cover-Polsters befindet sich ein eingebautes Loch, um das Polster am Beinrohr/Gehäusebeinsockel zu befestigen.



6

Ziehe das angenähete Rock-Mesh nach unten und richte das Loch sowohl am Mesh als auch am Beinschlauch aus. Befestigen Sie das Skirt Mesh mit Schrauben (D) am Beinrohr und ziehen Sie es mit dem Schraubendreher (E) fest.



Montageanleitung (Sicherheitsgehäuse-Netz)

ANMERKUNG:

ERSTICKUNGSGEFAHR

-Kleinteile. Nicht für Kinder unter 3 Jahren.

MONTAGE DURCH ERWACHSENE ERFORDERLICH

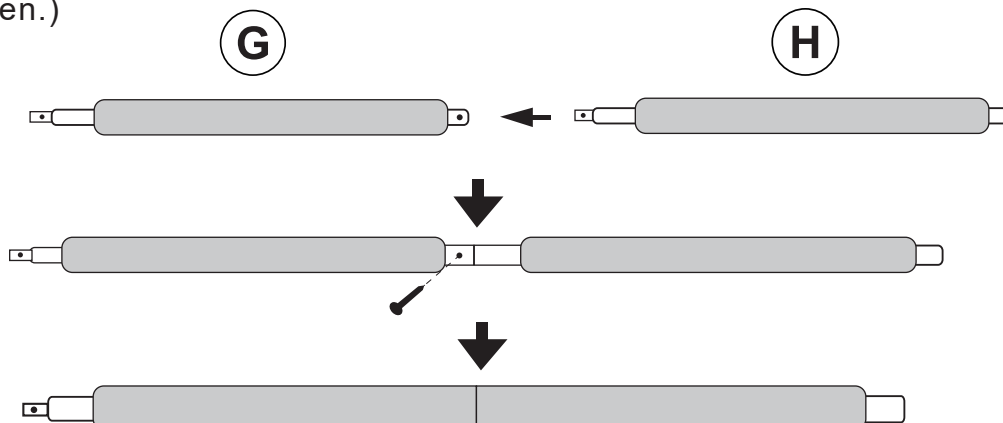
-Enthält Kleinteile, scharfe Spitzen und scharfe Kanten.

1

Setzen Sie das Ende eines oberen Gehäusepols (H) mit kleinerem Durchmesser in das Ende eines unteren Gehäusepols (G) mit größerem Durchmesser ein und richten Sie die Schraubenlöcher aus. (Möglicherweise müssen Sie die vorinstallierten Schaumstoffhüllen verschieben, um Zugang zu den Enden der Stangen zu erhalten.)

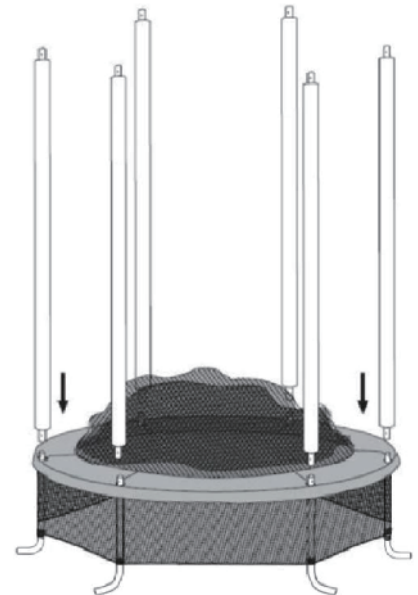
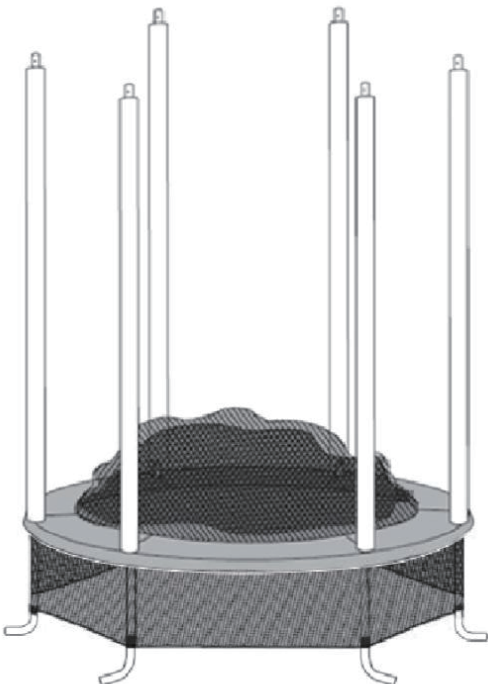
2

Schraube (D) einsetzen & festziehen. **NICHT ZU FEST ANZIEHEN!** Wiederholen Sie die Schritte 1 und 2, um die verbleibenden 5 Sätze der oberen (H) und unteren (G) Pole zu montieren.



3

Setzen Sie das untere Ende der unteren Gehäusestange (G) wie abgebildet in die Buchse am Rahmen ein. Schraubenlöcher ausrichten.

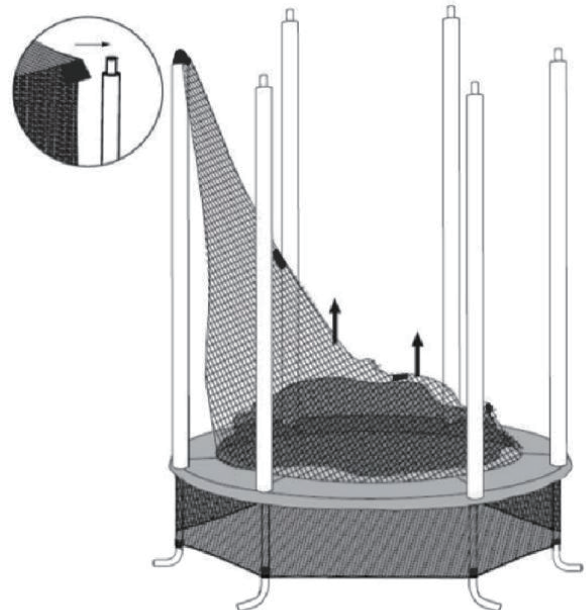


4

Schraube (D) einsetzen & festziehen.
NICHT ZU FEST ANZIEHEN!
Wiederholen Sie Schritt 3 für die verbleibenden 5 Gehäusepolbaugruppen (G). Wenn es fertig ist, sieht es wie abgebildet aus.

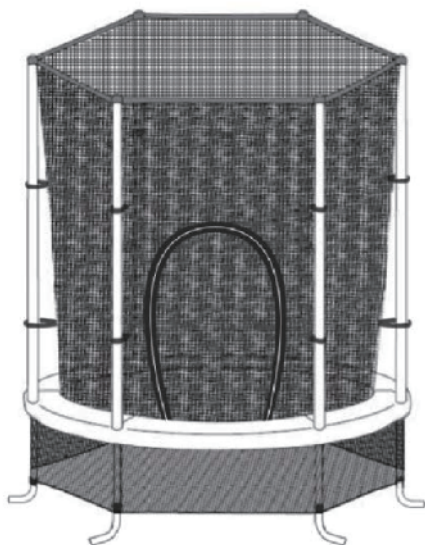
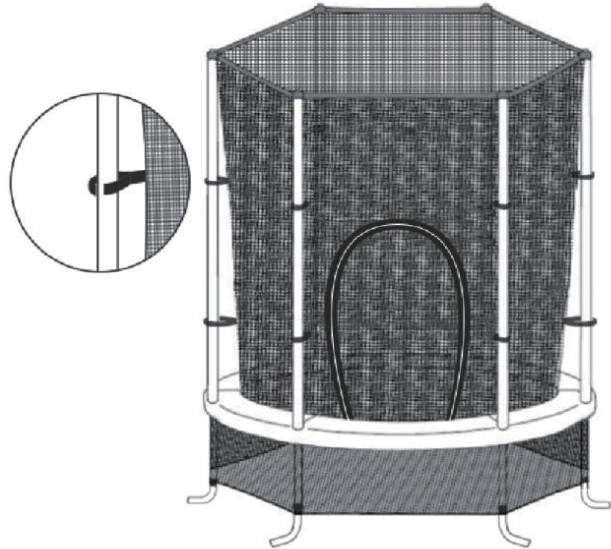
5

Befestigen Sie das Gehäusenetz an der Oberseite des Mastrohrs.



6

Suchen Sie die oberen und unteren Klettverschlüsse, die mit dem Gehegenetz vernäht sind. Wickeln Sie sowohl den oberen als auch den unteren Klettverschluss fest um die Gehegestange, um das Netz an Ort und Stelle zu halten.

**7**

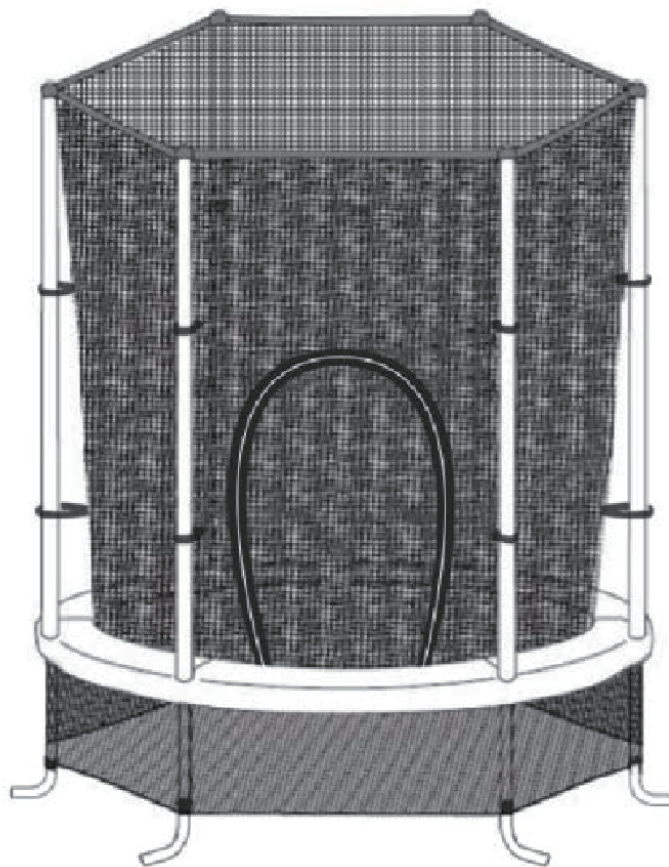
Wiederholen Sie Schritt 6 mit den restlichen oberen und unteren Klettverschlüssen an den anderen 5 Gehäusestangen. Wenn es fertig ist, ist das Trampolin wie abgebildet. Die Montage ist nun abgeschlossen und das Trampolin ist bereit zum Springen!

Demontage

Zum Demontieren befolgen Sie einfach die MONTAGEANLEITUNG - RAHMEN, SPRUNGMATTE, SICHERHEITSGEHÄUSE NETZ in umgekehrter Reihenfolge, bis Sie das Trampolin zerlegt haben.

MINI TRAMPOLÍN CON RED DE SEGURIDAD

ES



Lea este manual antes de montar y utilizar esta cama elástica y su recinto.

Guarde este manual para poder consultarlo más adelante.

SOLO para niños de 3 a 6 años.

Peso máximo del usuario 45 kg.

SE REQUIERE EL MONTAJE POR PARTE DE UN ADULTO

Contiene piezas pequeñas, puntas y bordes afilados.

RIESGO DE CHOQUE - Piezas pequeñas - no apto para niños menores de 3 años.



Dimensiones del producto: Ø140*H190cm

INSTRUCCIONES DE SEGURIDAD Y USO

Atención: El trampolín debe ser ensamblado por un adulto según las instrucciones de montaje e inspeccionado antes del primer uso.

Atención: Siga las instrucciones del fabricante al saltar con/sin zapatos.

Atención: Vacíe sus bolsillos y manos antes de saltar.

Atención: Siempre salte en el centro de la lona, no en los lados.

Atención: No coma mientras salta.

Atención: Cada salto no debe exceder los 30 minutos, y se requiere un descanso de al menos 10 minutos.

Atención: Asegúrese de cerrar la abertura de la red antes de saltar.

Los trampolines no pueden ser enterrados.

Los trampolines no deben ser instalados sobre concreto, asfalto o cualquier otra superficie dura ni cerca de características incompatibles (por ejemplo, piscinas inflables, toboganes, estructuras de escalada).

Cualquier modificación realizada por el consumidor al trampolín original (como la adición de accesorios) debe hacerse de acuerdo con las instrucciones del fabricante.

INSTRUCCIONES DE MANTENIMIENTO

Durante los meses de invierno, la nieve y las temperaturas extremadamente bajas pueden dañar el trampolín. Se recomienda limpiar la nieve y almacenar la lona y la cubierta en interiores.

Reemplace las redes y almohadillas regularmente cada año, y verifique que la estructura sea estable para garantizar la seguridad.



ADVERTENCIA:

Lea este manual antes de montar y utilizar esta cama elástica.

Responsabilidades

Aunque se hace todo lo posible para incorporar el mayor grado de protección en todos los equipos, no podemos garantizar que no se produzcan lesiones. El usuario asume todo el riesgo de lesiones debido al uso. Toda la mercancía se vende bajo esta condición, a la que ningún representante de la empresa puede renunciar o cambiar.



ADVERTENCIA:

Además de las instrucciones y precauciones proporcionadas con su Trampolín, las siguientes precauciones deben ser observadas mientras se utiliza la cubierta de seguridad del trampolín.

- O intente ni permita realizar saltos mortales en el trampolín. Aterrizar sobre la cabeza o el cuello puede causar lesiones graves, parálisis o la muerte, incluso al aterrizar en el centro de la cama.
- No permita que haya más de una persona en el trampolín o dentro del recinto del trampolín. El uso por más de una persona al mismo tiempo puede resultar en lesiones graves.
- La estructura metálica de la cama elástica conduce la electricidad. Las luces, los cables de extensión y todos los equipos eléctricos nunca deben entrar en contacto con la estructura.
- Inspeccione el recinto antes de cada uso. Asegúrese de que las correas y todas las piezas están colocadas y fijadas correctamente. Apriete cualquier pieza suelta. Sustituya cualquier pieza desgastada, defectuosa o que falte.
- Lleve ropa cómoda sin ganchos, broches, cordones o cualquier cosa que pueda engancharse o engancharse en la malla de la cabina de seguridad. Quitese las joyas, los collares y los pendientes.
- Suba y baje del trampolín solo por la entrada del recinto de seguridad y cierre bien la entrada. Los usuarios, especialmente los niños, no deben intentar entrar o salir entre la estructura de la cama elástica y el recinto. Hacerlo puede suponer un riesgo de estrangulamiento.
- No toque ni rebote la malla del recinto de seguridad mientras usa el trampolín.
- Lea todas las instrucciones y complete todo el montaje antes de permitir que su hijo utilice la cama elástica y el recinto de seguridad.
- Utilice la cama elástica y el recinto de la cama elástica solo con la supervisión de un adulto maduro y bien informado.

**Sólo para uso recreativo. No para uso profesional.
El límite de peso para el usuario de la cama elástica y
el recinto es de 45 kg.**



ADVERTENCIA: **Instrucciones de montaje e instalación**

- SE REQUIERE EL MONTAJE POR PARTE DE UN ADULTO - Contiene piezas pequeñas, puntas y bordes afilados.
- PELIGRO DE CHOQUE - Piezas pequeñas - No apto para niños menores de 3 años.
- Para uso de niños de 3 a 6 años SOLAMENTE.
- El peso máximo del usuario es de 45 kg.
- El espacio libre superior adecuado es esencial. Un mínimo de 2,5 m desde el nivel del suelo es recomendado. Proporcione espacio libre para cables, ramas de árboles y otros posibles peligros..
- El espacio libre lateral es esencial. Coloque el trampolín y el recinto del trampolín lejos de las paredes, estructuras, cercas y otras áreas de juego. Mantenga un espacio despejado en todos los lados del trampolín y recinto de trampolín. Se recomienda un mínimo de seis pies desde el borde del marco.
- Nunca instale el trampolín en condiciones de lluvia intensa, viento o tormenta, especialmente con relámpagos. Se recomienda desmontar la cama elástica y guardarla cuando haga mal tiempo.
- Coloque el trampolín y el recinto del trampolín sobre una superficie nivelada antes de usarlos.
- Asegure el trampolín y el recinto del trampolín contra el uso no autorizado y sin supervisión.
- Retire cualquier obstrucción debajo del trampolín y del recinto del trampolín antes de su uso.
- El propietario y los supervisores del trampolín y del recinto del trampolín son responsables de hacer todos los usuarios conscientes de las prácticas especificadas en las "Instrucciones de uso".



ADVERTENCIA: **Instrucciones de cuidado y mantenimiento**

Inspeccione el trampolín y el recinto del trampolín antes de cada uso y reemplace las piezas desgastadas, defectuosas o faltantes.

Las siguientes condiciones podrían representar peligros potenciales:

1. Relleno del marco, barrera o sistema de soporte del recinto (marco) y tapas de los postes faltantes, colocados incorrectamente o fijados de manera insegura.
2. Perforaciones, deshilachados, rasgaduras o agujeros desgastados en el acolchado de la cama o del armazón, el acolchado del sistema de soporte de la barrera o del recinto (armazón) y las tapas de los postes..
3. Deterioro en las costuras o la tela del acolchado de la cama o del armazón, el acolchado del sistema de soporte de la barrera o del recinto (armazón) y las tapas de los postes.
4. Cuerdas de suspensión rotas.
5. Un marco o sistema de soporte doblado o roto.
6. Una barrera o cama hundida.
7. Protuberancias afiladas en el marco o sistema de suspensión
8. Herrajes sueltos o faltantes. Siempre asegúrese de que los tornillos estén apretados antes de cada uso.



ADVERTENCIA: Instrucciones de uso

- NO intente ni permita saltos mortales en el trampolín. Caer sobre la cabeza o el cuello puede causar lesiones graves, parálisis o muerte, incluso cuando cae en medio de la cama.
- No permita más de una persona en el trampolín o dentro del recinto del trampolín. Usar por más de una persona al mismo tiempo puede provocar lesiones graves. Mantenga alejados los objetos que puedan interferir con el ejecutante. Mantenga un área despejada alrededor del trampolín.
- No permita objetos extraños o animales en el trampolín.
- Los niños solo deben usar el trampolín y el recinto del trampolín con un adulto responsable y bien informado.
- El trampolín es para uso de niños de 3 a 6 años.
- El trampolín debe armarse en su totalidad antes de cada uso. Todos los cables de suspensión deben ser unido al marco. La cubierta del marco debe estar correctamente colocada en todo momento.
- Nunca instale el trampolín en condiciones de lluvia intensa, viento o tormenta, especialmente tormentas eléctricas. Se recomienda desarmar el trampolín y almacenarlo cuando haga mal tiempo.
- Inspeccione el trampolín y el recinto antes de cada uso. Asegúrese de que la cubierta del marco, la malla de barrera y el acolchado de soporte del gabinete estén colocados de manera correcta y segura. Reemplace cualquier pieza gastada, defectuosa o faltante.
- El marco de metal del trampolín y el recinto del trampolín conducirán la electricidad. Luces, extensión nunca se debe permitir que ningún equipo eléctrico entre en contacto con el trampolín o recinto de trampolín.
- Use ropa cómoda. Quítese las joyas, collares y aretes. Use ropa sin cordones, ganchos, lazos o cualquier cosa que pueda quedar atrapada en la malla de la barrera.
- Entrar y salir del recinto únicamente por la puerta del recinto o por la abertura de la barrera designada para tal fin. Es una práctica peligrosa saltar del trampolín al suelo o suelo al desmontar, o saltar en el trampolín al montarlo. No utilice el trampolín como trampolín para otros objetos.
- Deje de rebotar flexionando las rodillas cuando los pies entren en contacto con la cama del trampolín. Aprende esta habilidad antes de intentar con otros.
- Evite rebotar demasiado alto. Manténgase agachado hasta que pueda lograr el control de rebote y el aterrizaje repetido en el centro del trampolín. El control es más importante que la altura.
- Mientras mantiene la cabeza erguida, enfoque los ojos en el trampolín hacia el perímetro. Esto ayudará a controlar el rebote.
- Evite brincar cuando esté cansado. Mantenga los turnos cortos.
- Asegure adecuadamente el trampolín cuando no esté en uso. Protéjalo contra el uso no autorizado.
- El supervisor adulto no debe estar bajo la influencia de alcohol o drogas.
- Para obtener información adicional sobre el equipo del trampolín, comuníquese con el fabricante.
- Para obtener información sobre el entrenamiento de habilidades, comuníquese con un instructor de trampolín certificado.
- Rebote solo cuando la superficie de la cama esté seca. El viento o el movimiento del aire debe ser de calma a suave. El trampolín no debe usarse con vientos fuertes o racheados. El trampolín debe desmontarse o almacenarse adentro durante este tipo de condiciones climáticas.
- Lea todas las instrucciones antes de usar el trampolín y el recinto del trampolín. Advertencias e instrucciones para el cuidado, mantenimiento y uso de este trampolín y el recinto del trampolín se incluyen para promover el uso seguro y agradable de este equipo.
- No rebote intencionalmente en la barrera.
- No intente saltar sobre la barrera ni intente arrastrarse por debajo de la barrera.
- No se cuelgue, pateo, corte o suba a la barrera.
- No adjunte nada a la barrera que no sea un accesorio aprobado por el fabricante o parte del sistema de cerramiento.

Seguridad de la cama elástica y prevención de accidentes

Como en la mayoría de los deportes recreativos, los participantes pueden lesionarse. Esta sección cubre los accidentes más comunes. También se describen las responsabilidades de los supervisores y saltadores en la prevención de accidentes.

Las siguientes son las razones por las que ocurren los accidentes:

- Intentar saltos mortales. Caer sobre la cabeza o el cuello puede causar lesiones graves, parálisis o la muerte, incluso si cae en medio de la cama.
- Más de una persona en el trampolín. El uso por más de una persona al mismo tiempo puede provocar lesiones graves.
- Montaje y desmontaje incorrecto. Arrástrase con cuidado fuera y dentro de la cama del trampolín. No salte al suelo. No salte desde un techo u otro objeto al trampolín. Los niños pequeños pueden necesitar ayuda para subir o bajar del trampolín. No se suba al sistema de suspensión.
- Golpear el marco. Manténgase en el centro del trampolín cuando salte. Se pueden producir lesiones si se golpea el marco cuando se pierde el control. Asegúrese de que la cubierta del marco esté siempre colocada y que las almohadillas estén bien sujetas. No salte directamente sobre la almohadilla del marco.
- Pérdida de control. Un saltador que pierde el control aumentará su probabilidad de lesionarse. Asegúrate de familiarizarte con los saltos básicos antes de hacer los más difíciles. Los saltos deben dominarse y realizarse repetidamente antes de pasar al siguiente nivel. Para recuperar control y detener su salto, doblar las rodillas bruscamente como tú.

El supervisor adulto no debe estar bajo la influencia del alcohol o las drogas.

- Objetos extraños. Asegúrese de que no haya nada afilado debajo y alrededor del trampolín. Golpear objetos debajo del trampolín puede causar lesiones. Saltar con un objeto extraño también puede aumentar las posibilidades de lesionarse. Asegúrese de que haya un espacio libre adecuado de 2,5 m por encima y 1.9 m alrededor del trampolín. Tenga cuidado con los cables aéreos, las ramas de los árboles, etc.
- Mal tiempo. No use su trampolín con ráfagas de viento o mal tiempo. La cama no debe estar mojada.
- Mal mantenimiento del trampolín. Asegúrese de inspeccionar el trampolín antes de cada uso. Compruebe si hay pinchazos en la cama, rebabas afiladas en el marco, costuras que se han estropeado o bandas elásticas flojas. Si necesita una pieza de repuesto, llame a nuestra línea directa para ordenar.
- Acceso ilimitado. El trampolín debe estar cubierto o desarmado cuando no esté en uso. Esto evitará que los niños pequeños usen el trampolín sin supervisión.

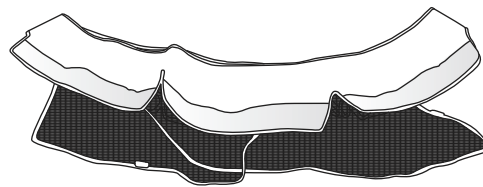
Papel del propietario y del supervisor en la prevención de lesiones y responsabilidades

El papel del supervisor es asegurarse de que los usuarios conocen todas las reglas de seguridad, así como aprender los rebotes básicos y fundamentales. Deben hacer cumplir todas las reglas y advertencias de seguridad en el manual, el marco y las etiquetas. Cuando no haya un supervisor disponible, el trampolín se puede desarmar o cubrir para limitar el acceso. Es responsabilidad del supervisor que se revisen los carteles con los Consejos de seguridad del trampolín y Consejos de seguridad del recinto y se informe a todos los saltadores sobre los consejos.

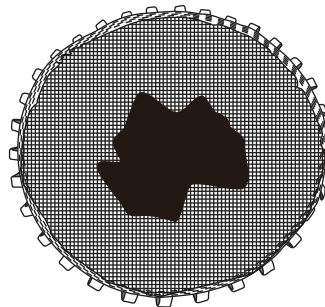
Papel del usuario en la prevención de lesiones y responsabilidades

El saltador primero debe aprender todos los rebotes básicos y fundamentales antes de intentar los más difíciles. Los rebotes bajos y controlados son un buen comienzo antes de aprender las posiciones y combinaciones básicas de aterrizaje. Los saltadores deben comprender que el control es clave para un salto exitoso. Seguir los consejos del cartel es importante.

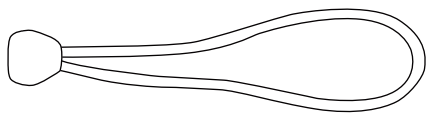
PARTES	QTY.	ARTÍCULO
<i>Cubierta de marco con malla de falda</i>	1	A
<i>Colchoneta de salto con malla de protección</i>	1	B
<i>Cuerda de suspensión</i>	30	C
<i>Tornillo</i>	24	D
<i>Destornillador</i>	1	E
<i>DestornilladRiel superior</i>	6	F
<i>Poste de cerramiento inferior y espuma</i>	6	G
<i>Poste de cerramiento superior y espuma</i>	6	H
<i>Tubo de pierna</i>	6	K



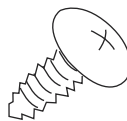
A Cubierta de marco con malla de falda cosida (1)



B Colchoneta de salto con malla de recinto cosida (1)



C Cable de suspensión



D Tornillo



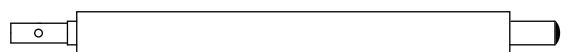
E Destornillador



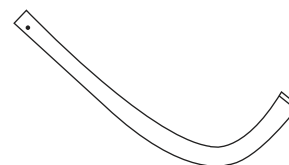
F Riel superior



G Poste y espuma del recinto inferior



H Poste y espuma de la carcasa superior



K Tubo de pierna

Instrucciones de montaje (marco)

NOTA:

ASFIXIA

-Piezas pequeñas. No apto para niños menores de 3 años.

SE REQUIERE MONTAJE POR UN ADULTO

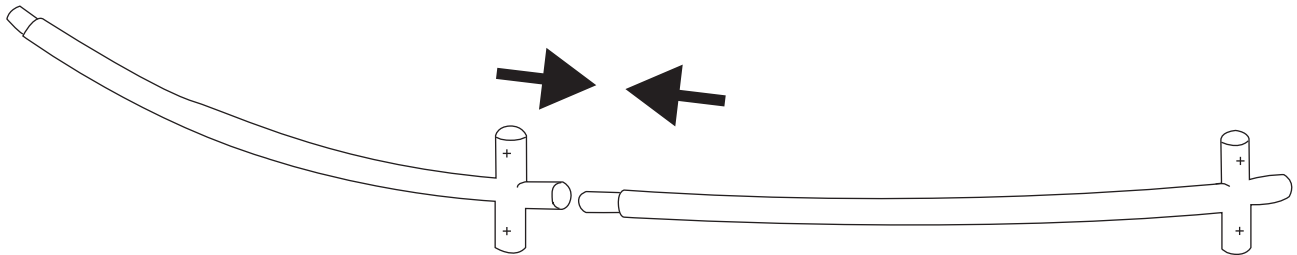
-Contiene piezas pequeñas, puntas afiladas y bordes afilados.

1

Comience ensamblando 2 de los rieles superiores (F) juntos en un arco.

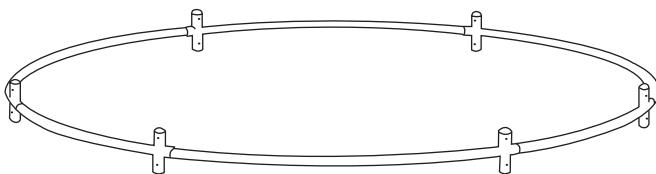
2

Continúa construyendo un círculo agregando los 4 rieles superiores restantes (F) al arco que hiciste en el Paso 1.



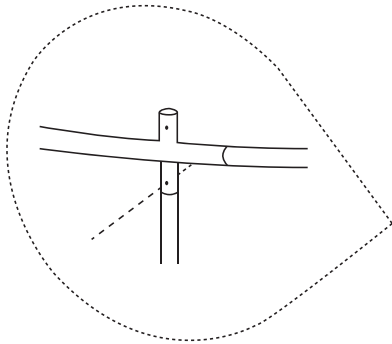
3

Unir los 2 extremos sueltos del círculo puede requerir que coloques el marco en el borde y presiones hacia abajo en los 2 extremos, mientras los conectas.

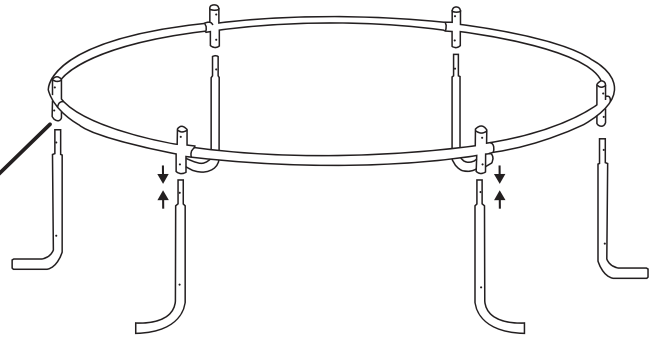


4

Con el marco del riel superior (F) conectado en un círculo, colóquelo plano en el piso (cualquiera de los lados hacia arriba, son idénticos). A continuación, inserte el extremo cónico de cada uno de los 6 tubos de las patas (K) en los 6 encajes de las patas que están hacia arriba, como se muestra. Todas las curvas deben apuntar hacia afuera, lejos del centro del trampolín.

**5**

Alinee el orificio del tornillo en el tubo de la pata (k) con el orificio en el casquillo de la pata. Luego asegúrelo con un tornillo y apriételo. **NO APRIETE DEMASIADO.** Repita esto hasta que las 6 patas estén firmemente unidas al marco del riel superior (F) con tornillos (D).



Instrucciones de montaje (lona de salto)

NOTA:

ASFIXIA

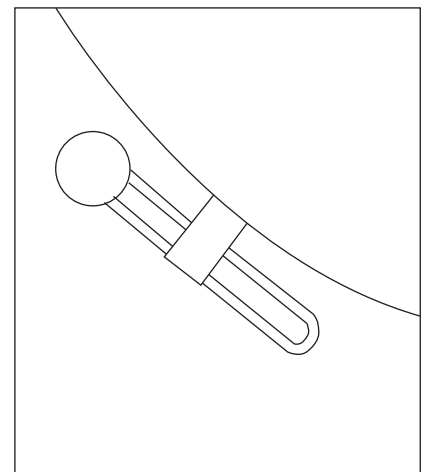
-Piezas pequeñas. No apto para niños menores de 3 años.

SE REQUIERE MONTAJE POR UN ADULTO

-Contiene piezas pequeñas, puntas afiladas y bordes afilados.

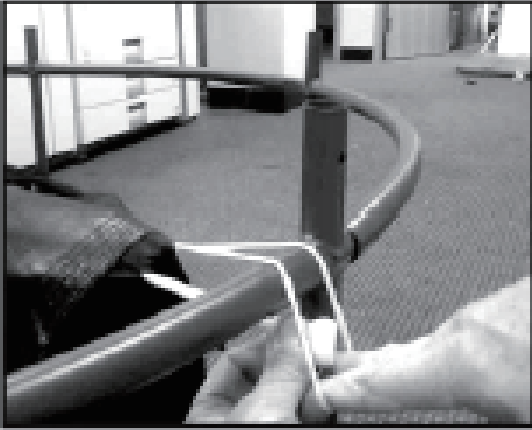
1

Coloca la lona de salto (B) en el centro del marco. A continuación, deslice un cordón de suspensión (C) de izquierda a derecha a través del lazo cosido como se muestra.



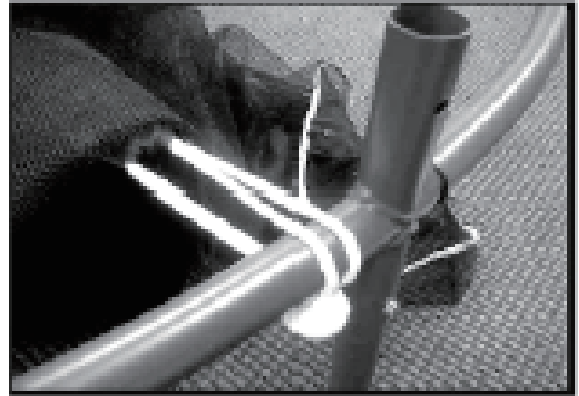
2

Use su mano derecha para estirar el extremo del lazo del cordón (C) **SOBRE** el riel superior (F) y su mano izquierda para tirar del extremo de la bola del cordón (C) **DEBAJO DEL RIEL SUPERIOR (F)**, luego presione la bola a través del bucle.



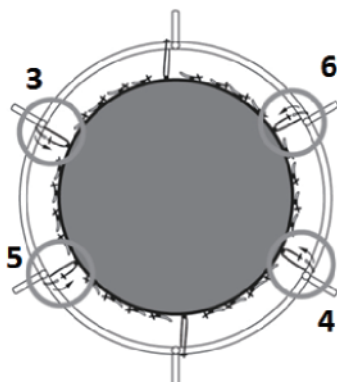
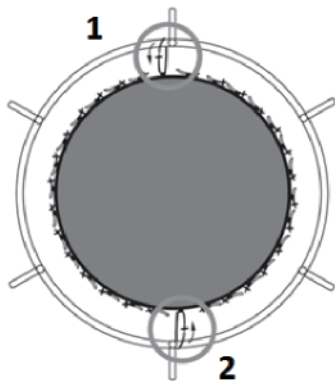
3

Suelte **LENTAMENTE** el extremo del lazo del cable para que capture la perilla, bloqueando el cable de suspensión (C) en su lugar, como se muestra.



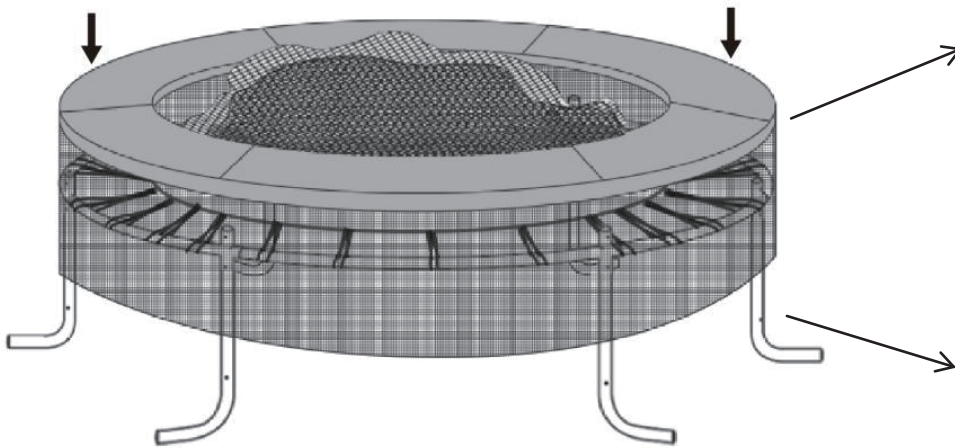
4

Desde la 1ª cuerda conectada, cuenta alrededor de la lona de salto hasta la 16ª vuelta. Al igual que la imagen muestra la posición 1 y 2. A continuación, repita los pasos 1 a 3 para fijar la posición 3,4,5,6. Finalmente, fije todos los cordones de suspensión (C) de manera uniforme. Al hacerlo, asegurará una tensión uniforme alrededor de toda la lona de salto (B).



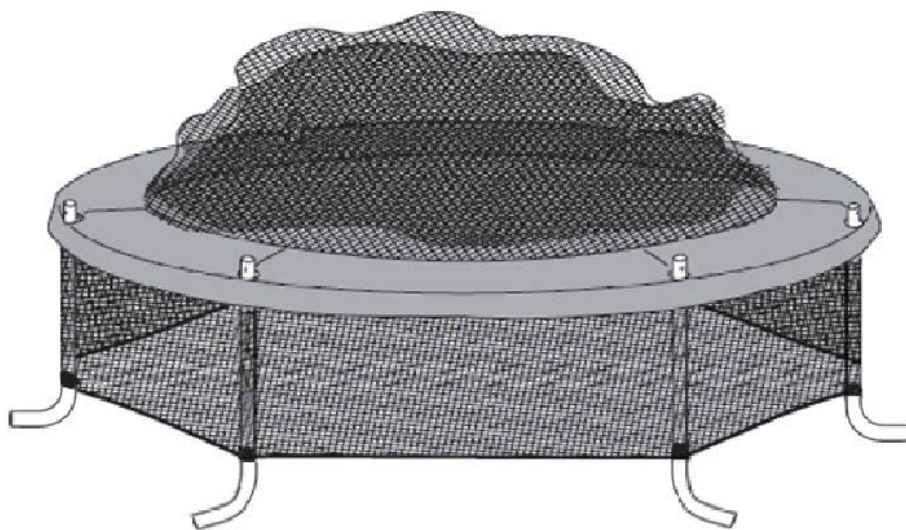
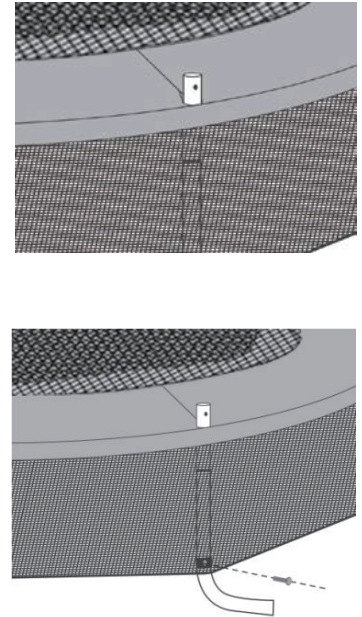
5

Coloque la cubierta del marco con malla de falda cosida (A) en el marco principal del trampolín. Entre cada sección de la almohadilla de la cubierta del marco, hay un orificio incorporado para asegurar la almohadilla al tubo de la pata / zócalo de la pata del recinto.



6

Tire de la malla de la falda cosida hacia abajo, alinee el orificio tanto en la malla como en el tubo de la pierna. Asegure la malla de la falda al tubo de la pierna con tornillos (D) y apriételos con un destornillador (E).



Instrucciones de montaje (Red de recinto de seguridad)

NOTA:

ASFIXIA

-Piezas pequeñas. No apto para niños menores de 3 años.

SE REQUIERE MONTAJE POR UN ADULTO

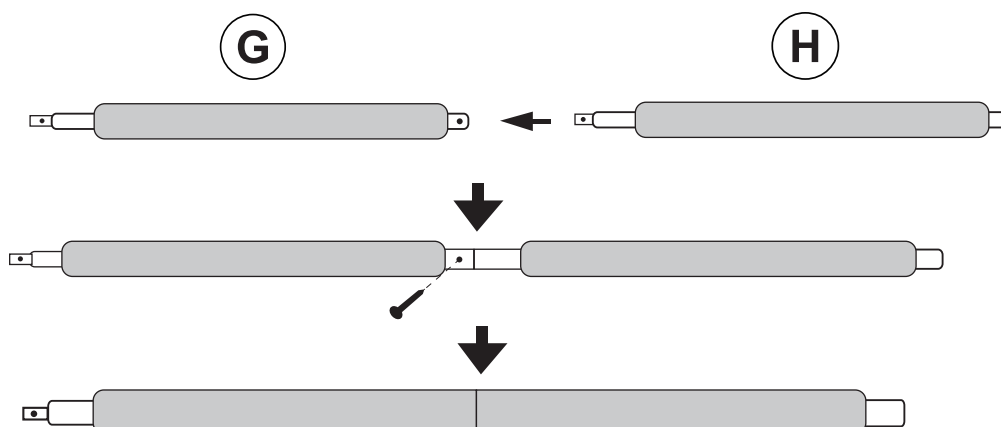
-Contiene piezas pequeñas, puntas afiladas y bordes afilados.

1

Inserte el extremo de menor diámetro de un poste superior de la carcasa (H) en el extremo de mayor diámetro de un poste inferior de la carcasa inferior (G) y alinee los orificios de los tornillos. (Es posible que deba deslizar las fundas de espuma preinstaladas para acceder a los extremos de los postes).

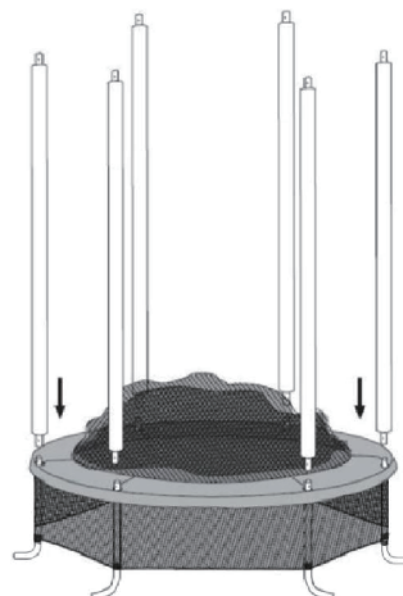
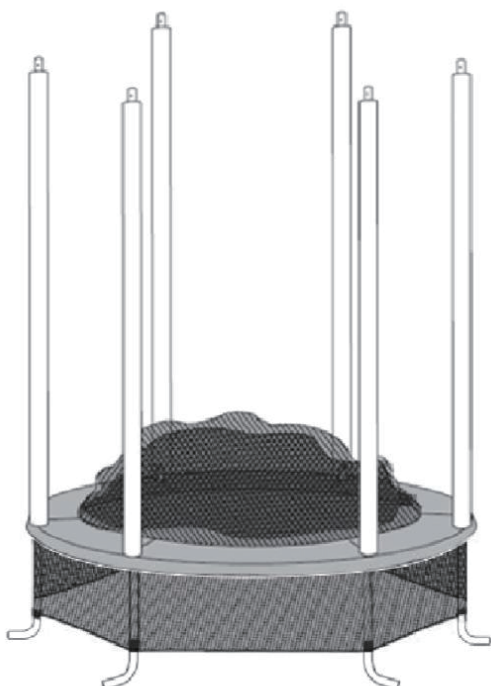
2

Inserte el tornillo (D) y apriételo. **¡NO APRIETE DEMASIADO!** Repita los pasos 1 y 2 para ensamblar los 5 juegos restantes de postes superior (H) e inferior (G).



3

Inserte el extremo inferior del conjunto del poste (G) de la carcasa inferior en el zócalo del marco, como se muestra. Alinee los orificios de los tornillos.

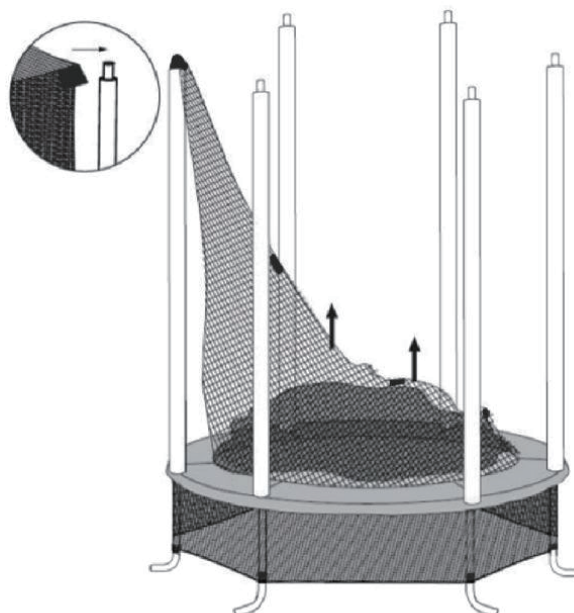


4

Inserte el tornillo (D) y apriételo. **¡NO APRIETE DEMASIADO!** Repita el paso 3 para los 5 conjuntos de polos de carcasa (G) restantes. Cuando está hecho, se ve como se muestra.

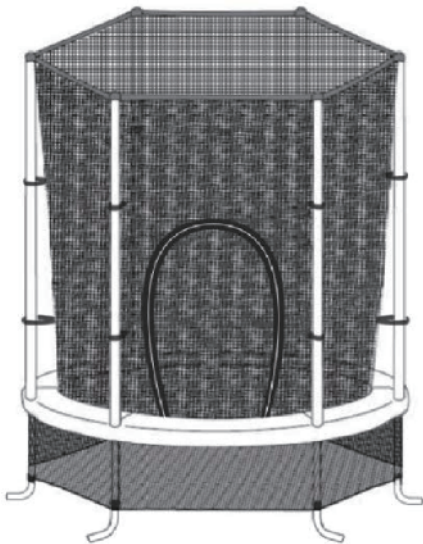
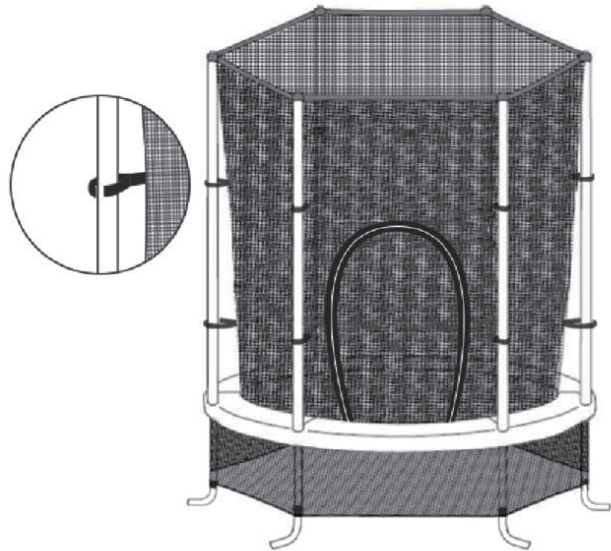
5

Conecte la red del recinto a la parte superior del tubo del poste.



6

Ubique los juegos superior e inferior de sujetadores de velcro cosidos a la red del recinto Envuelva firmemente los sujetadores de velcro superior e inferior alrededor del poste del recinto para asegurar la red en su lugar.

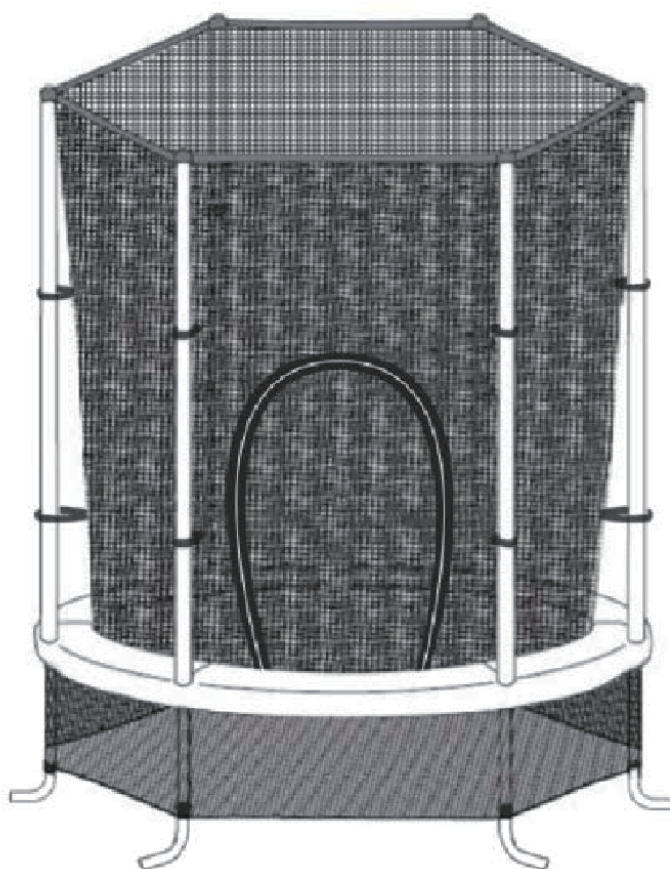


7

Repita el paso 6 con los sujetadores de velcro superiores e inferiores restantes en los otros 5 postes del gabinete. Cuando termine, el trampolín es como se muestra. ¡El ensamblaje ya está completo y el trampolín está listo para saltar!

Desmontaje

Para desmontar, simplemente siga las INSTRUCCIONES DE MONTAJE: MARCO, COLCHONETA DE SALTO, RED DE CERRAMIENTO DE SEGURIDAD en orden inverso, hasta que haya desmontado el trampolín.

TRAMPOLIM COM REDE DE SEGURANÇA**PT**

Leia este manual de instruções antes de montar e utilizar este trampolim.
Guarde este manual para futuras referências Para utilização apenas por crianças dos
3 aos 6 anos de idade.

Peso máximo do utilizador 45kg.

MONTAGEM SOMENTE POR ADULTOS - Contém pequenas peças, pontas afiadas e
arestas afiadas.

PERIGO DE ASFIXIA - Contém peças pequenas - não adequado



Dimensões do produto: Ø140*H190cm

INSTRUÇÕES DE SEGURANÇA E USO

Atenção: O trampolim deve ser montado por um adulto de acordo com as instruções de montagem e inspecionado antes do primeiro uso.

Atenção: Siga as instruções do fabricante ao pular com/sem sapatos.

Atenção: Esvazie os bolsos e mãos antes de pular.

Atenção: Sempre pule no centro da lona, não nas laterais.

Atenção: Não coma enquanto pula.

Atenção: Cada salto não deve exceder 30 minutos, e é necessário um descanso de pelo menos 10 minutos.

Atenção: Certifique-se de fechar a abertura da rede antes de pular.

Os trampolins não podem ser enterrados.

Os trampolins não devem ser instalados sobre concreto, asfalto ou qualquer outra superfície dura, nem perto de características incompatíveis (por exemplo, piscinas infláveis, escoregadores, estruturas de escalada).

Qualquer modificação feita pelo consumidor ao trampolim original (como a adição de acessórios) deve ser feita de acordo com as instruções do fabricante.

INSTRUÇÕES DE MANUTENÇÃO

Durante os meses de inverno, a neve e as temperaturas extremamente baixas podem danificar o trampolim. Recomenda-se limpar a neve e armazenar a lona e a capa em ambientes fechados.

Substitua as redes e almofadas regularmente a cada ano e verifique se a estrutura está estável para garantir a segurança.



ADVERTÊNCIA:

Leia este manual antes de montar e utilizar este trampolim.

Responsabilidades

Embora sejam feitas todas as tentativas para incorporar o mais alto grau de protecção em todo o equipamento, não podemos garantir a ausência de lesões. O utilizador assume todos os riscos de ferimentos devidos à utilização. Todas as mercadorias são vendidas nesta condição, a qual nenhum representante da empresa pode renunciar ou alterar.



ADVERTÊNCIA:

Para além das instruções e precauções fornecidas com o seu Trampolim, devem ser observadas as seguintes precauções durante a utilização do trampolim.

- Para além das instruções e precauções fornecidas com o seu Trampolim, devem ser observadas as seguintes precauções durante a utilização do trampolim.
- **NÃO** tente ou permita cambalhotas no trampolim. A aterragem na cabeça ou no pescoço pode causar ferimentos graves, paralisia ou morte, mesmo quando pousar no meio da plataforma.
- Não permitir mais do que uma pessoa no trampolim ou no interior do recinto do trampolim. A utilização por mais do que uma pessoa ao mesmo tempo pode resultar em ferimentos graves.
- A estrutura metálica do recinto do trampolim conduz a electricidade. Nunca se deve permitir que luzes, extensões e todo este equipamento eléctrico entrem em contacto com o recinto.
- Inspeccionar o invólucro antes de cada utilização. Certifique-se de que as cintas e todas as peças estão correcta e firmemente posicionadas e fixadas. Apertar qualquer ferragem solta. Substituir quaisquer peças desgastadas, defeituosas ou em falta.
- Usar roupa confortável, sem ganchos, fechos, cordões ou qualquer coisa que possa prender na malha do recinto de segurança. Remover jóias, colares, e brincos.
- Subir e sair do trampolim apenas através da entrada do recinto de segurança e fechar firmemente a entrada. Os utilizadores, especialmente as crianças, não devem tentar entrar ou sair entre a estrutura do trampolim e o recinto. Isto pode representar um risco de estrangulamento.
- Não tocar ou ricochetear na malha do recinto de segurança enquanto utilizar o trampolim.
- Leia todas as instruções e complete toda a montagem antes de permitir que a sua criança utilize o trampolim.
- Utilize o trampolim e o invólucro de trampolim apenas com a supervisão de um adulto maduro e conhecedor.

**SOMENTE para utilização doméstica. Não recomendado para utilização profissional.
O limite de peso para o trampolim e para o utilizador é de 45kg.**

ADVERTÊNCIA: **Instruções de Montagem e Instalação**

- MONTAGEM REQUERIDA POR UM ADULTO - Contém pequenas peças, pontas afiadas e arestas afiadas.
- PERIGO DE ASFIXIA - Contém peças pequenas - Não recomendado para crianças com menos de 3 anos.
- Utilização SOMENTE para crianças entre 3 e 6 anos.
- O peso máximo do utilizador é de 45kg.
- É essencial uma distância adequada acima da cabeça. Um mínimo de 2,5m a partir do nível do solo é recomendado. Deixe espaço para arames, ramos de árvores, e outros possíveis perigos.
- A folga lateral é essencial. Colocar o trampolim longe de paredes, estruturas, vedações e outras áreas de jogo. Manter um espaço livre em todos os lados do recinto do trampolim. Recomenda-se um mínimo de dois metros da borda da estrutura.
- Nunca montar o trampolim em condições de chuva forte, vento ou tempestade, especialmente tempestades com relâmpagos. Recomenda-se que o trampolim seja desmontado e armazenado em condições de mau tempo.
- Colocar a estrutura do trampolim sobre uma superfície plana antes da sua utilização.
- Fixar a estrutura do trampolim sob uma área nivelada.
- Remover quaisquer obstruções por baixo do trampolim antes da sua utilização.
- O proprietário e supervisores do trampolim são responsáveis por sensibilizar todos os utilizadores para as práticas especificadas nas "Instruções de Utilização".

ADVERTÊNCIA: **Cuidados e Manutenção**

Inspeccionar o trampolim antes de cada utilização e substituir quaisquer peças desgastadas, defeituosas ou em falta.

As seguintes condições podem representar riscos potenciais:

1. Falta, colocação incorrecta, ou colocação insegura da superfície de salto, da barreira de segurança ou do sistema da estrutura e das protecções dos postes.
2. Perfurações, desgastes, rasgões, ou orifícios localizados na superfície de salto ou na estrutura, na barreira de segurança ou na estrutura e nas protecções dos postes.
3. Deterioração na costura ou no tecido da superfície de salto ou na estrutura, na barreira de segurança ou na estrutura e nas protecções dos postes.
4. Ruptura de cordas de suspensão.
5. Estrutura ou sistema de suporte dobrado ou partido.
6. Uma barreira ou superfície de salto flácidas.
7. Protusões afiadas na estrutura ou sistema de suspensão
8. Material solto ou em falta. Certifique-se sempre de que as ferragens estão apertadas antes de cada utilização.



ADVERTÊNCIA: **Instruções de Utilização**

- NÃO tente ou permita cambalhotas no trampolim. A aterragem na cabeça ou no pescoço pode causar ferimentos graves, paralisia, ou morte, mesmo quando se aterra no meio da cama.
- Não permitir mais do que uma pessoa no trampolim ou no interior do recinto do trampolim. A utilização por mais do que uma pessoa ao mesmo tempo pode resultar em ferimentos graves.
- Manter afastados objectos que possam interferir com o utilizador. Manter uma área livre em redor do trampolim.
- Não permitir a entrada de objectos estranhos ou animais no trampolim.
- As crianças só devem utilizar o trampolim sob a supervisão de um adulto.
- O trampolim é para utilização por crianças com idades compreendidas entre os 3-6 anos.
- O trampolim deve ser montado na sua totalidade antes de cada utilização. Todas as cordas de suspensão devem ser fixadas à estrutura. A cobertura da armação deve ser sempre posicionada correctamente.
- Nunca montar o trampolim em condições de chuva forte, vento ou tempestade, especialmente tempestades com relâmpago. Recomenda-se que o trampolim seja desmontado e armazenado em condições de mau tempo.
- Inspeccionar o trampolim antes de cada utilização. Certifique-se de que a cobertura da estrutura, a malha da barreira, e a superfície de salto estão correctas e seguramente posicionados. Substituir quaisquer peças desgastadas, defeituosas ou em falta.
- A estrutura metálica do trampolim pode conduzir electricidade. Nunca se deve permitir que luzes, fios de extensão e todo este equipamento eléctrico entrem em contacto com o trampolim.
- Usar roupa confortável. Remover jóias, colares, e brincos. Usar roupa sem cordões, ganchos, laços ou qualquer coisa que possa ficar presa na rede da barreira.
- Entrar e sair do recinto apenas na porta do recinto ou na abertura da barreira designada para o efeito. É uma prática perigosa saltar do trampolim para o chão ou para o chão ao desmontar, ou saltar para o trampolim ao montar. Não utilizar o trampolim como trampolim de mola para outros objectos.
- Parar de saltar flexionando os joelhos à medida que os pés entram em contacto com a cama do trampolim. Aprender esta habilidade antes de machucar as demais pessoas.
- Evite saltar muito alto. Manter-se baixo até que o controlo do ressalto e a aterragem repetida no centro do trampolim possam ser realizados. O controlo é mais importante do que a altura.
- Enquanto mantém a cabeça erecta, concentre os olhos no trampolim em direcção ao perímetro. Isto ajudará a controlar os ressaltos.
- Evite saltar quando estiver cansado.
- Fixar adequadamente o trampolim quando não estiver a ser utilizado. Protegê-lo contra o uso não autorizado.
- O supervisor adulto não deve estar sob a influência de álcool ou drogas.
- Para informações adicionais sobre o equipamento do trampolim, contactar o fabricante.
- Para obter informações sobre a formação de competências de planeamento, contactar um instrutor certificado de trampolim.
- Saltar apenas quando a superfície da cama estiver seca. Os movimentos do vento ou do ar devem ser calmos a suaves. O trampolim não deve ser utilizado em ventos rajados ou severos. O trampolim deve ser desmontado ou armazenado dentro de casa durante estes tipos de condições meteorológicas.
- Ler todas as instruções antes de utilizar o trampolim. Avisos e instruções de cuidado, manutenção e utilização do trampolim estão incluídos para promover o uso seguro e agradável deste equipamento.
- Protegê-lo contra o uso não autorizado.
- O supervisor adulto não deve estar sob a influência de álcool ou drogas.
- Para informações adicionais sobre o equipamento do trampolim, contactar o fabricante.
- Para obter informações sobre a formação de competências de planeamento, contactar um instrutor trampolim certificado.
- Saltar apenas quando a superfície da cama estiver seca. Os movimentos do vento ou do ar devem ser calmos a suaves. O trampolim não deve ser utilizado em ventos rajados ou severos. O trampolim deve ser desmontado ou armazenado dentro de casa durante estes tipos de condições meteorológicas.
- Ler todas as instruções antes de utilizar o trampolim e o invólucro de trampolim. Avisos e instruções de cuidado, manutenção e utilização deste invólucro de trampolim e trampolim estão incluídos para promover o uso seguro e agradável deste equipamento.
- Não saltar intencionalmente da barreira.
- Não tentar saltar por cima da barreira ou tentar rastejar por baixo da barreira.
- Não pendurar, pontapear, cortar ou subir na barreira.
- Não anexar nada à barreira que não seja um acessório aprovado pelo fabricante ou que não faça parte do trampolim.

Segurança e Prevenção de Acidentes

Como na maioria dos desportos recreativos, os utilizadores podem ser lesionados. Esta seção aborda os acidentes mais comuns. As responsabilidades dos supervisores e dos utilizadores na prevenção de acidentes também são apresentadas.

Apresentam-se a seguir as razões pelas quais os acidentes ocorrem:

- Tentativa de cambalhotas. A queda na cabeça ou no pescoço pode causar ferimentos graves, paralisia ou morte, mesmo quando se aterra no meio da superfície de salto.
- Mais do que uma pessoa no trampolim. A utilização por mais do que uma pessoa ao mesmo tempo pode resultar em ferimentos graves.
- Montagem e desmontagem incorrectas. Cuidadosamente rastejar para fora e para dentro do trampolim. Não saltar para o chão. Não saltar de um telhado, ou outro objecto para dentro do trampolim. Crianças pequenas podem necessitar de assistência para subir no trampolim. Não pise para o sistema de suspensão.
- Atingir a estrutura. Ficar no centro do trampolim quando saltar. O ferimento pode resultar de bater na estrutura quando se perde o controlo. Certifique-se de que a barra de segurança está sempre ligada e que as almofadas de proteção estão bem presas. Não saltar directamente para a barra de segurança.
- Perda de controlo. Um utilizador que perde o controlo aumentará as suas hipóteses de ferimentos. Certifique-se de que se familiariza com os saltos básicos antes de fazer saltos mais difíceis. Os saltos devem ser dominados, executados repetidamente antes de passar para o nível seguinte. Para recuperar o controlo e parar o seu salto, dobre os joelhos bruscamente à medida que aterra.
- O supervisor adulto não deve estar sob a influência de álcool ou drogas.
- Objectos estranhos. Por favor, certifique-se de que não há nada afiado debaixo e à volta do trampolim. Atingir objectos debaixo do trampolim pode causar ferimentos. Saltar com um objecto estranho também pode aumentar as hipóteses de se ferir. Certifique-se de que existe uma folga adequada 2,5m acima e 1,9m à volta do trampolim. Tenha cuidado com os cabos suspensos, ramos de árvores, etc.
- Mau tempo. Não usar o trampolim em ventos rajados ou tempo inclemente. A superfície de salto não deve estar molhada.
- Manutenção deficiente do trampolim. Certifique-se de que inspecciona o trampolim antes de cada utilização. Verificar a existência de orifícios na superfície de salto, rebarbas afiadas na estrutura, costuras que tenham ficado más ou fitas elásticas soltas. Se for necessária uma peça de substituição, por favor contacte com o nosso serviço de atenção ao cliente.
- Acesso ilimitado. O trampolim deve ser coberto ou desmontado quando não estiver a ser utilizado. Isto evitará que crianças pequenas não vigiadas utilizem o trampolim.

Dever do Proprietário e do Supervisor na Prevenção de Lesões e Responsabilidades

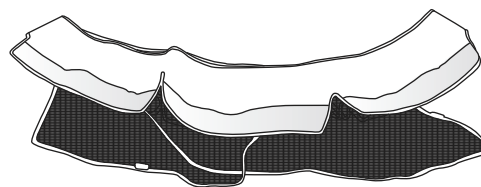
O papel do supervisor é garantir que os utilizadores conhecem todas as regras de segurança, bem como aprender os saltos básicos e fundamentais. Eles precisam de fazer cumprir todas as regras de segurança e avisos no manual, estrutura e indicações. Quando um supervisor não está disponível, o trampolim pode ser desmontado ou coberto para limitar o acesso. É da responsabilidade do supervisor que as instruções como as Dicas de Segurança do Trampolim sejam revistos e que todos os utilizadores sejam informados sobre as instruções.

Dever do Utilizador na Prevenção de Lesões e Responsabilidades

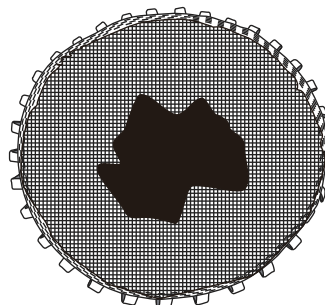
O utilizador deve aprender todos os saltos básicos e fundamentais antes de tentar mais dificuldades. Os saltos baixos e controlados são um bom começo antes de inclinar as posições e combinações básicas de aterragem. Os utilizadores precisam de compreender que o controlo é a chave para um salto bem sucedido.

É importante seguir as dicas do manual de instruções.

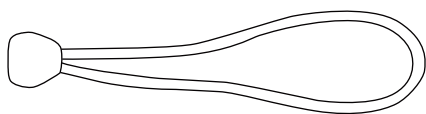
PEÇAS	QTD.	ITEM
Capa do quadro c/ malha da saia	1	A
Esteira de salto c/ inclui malha	1	B
Cabo de suspensão	30	C
Parafuso	24	D
Chave de fenda	1	E
Trilho superior	6	F
Polo inferior do compartimento & espuma	6	G
Polo do compartimento superior & espuma	6	H
Tubo de perna	6	K



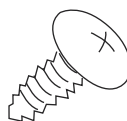
A Capa de armação com malha de saia costurada (1)



B Esteira de salto com malha de gabinete costurada (1)



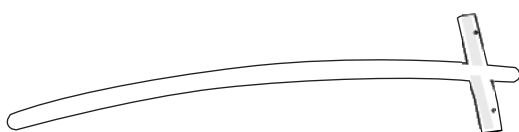
C Cabo de suspensão



D Parafuso



E Chave de fenda



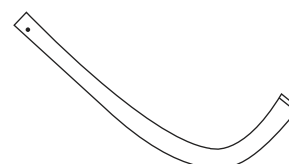
F Top Rail



G Lower Enclosure Pole & espuma



H Polo do compartimento superior & espuma



K Tubo de perna

Instruções de montagem (quadro)

OBSERVAÇÃO:

PERIGO DE ASFIXIA

-Peças pequenas. Não se destina a crianças com menos de 3 anos.

MONTAGEM DE ADULTOS NECESSÁRIA

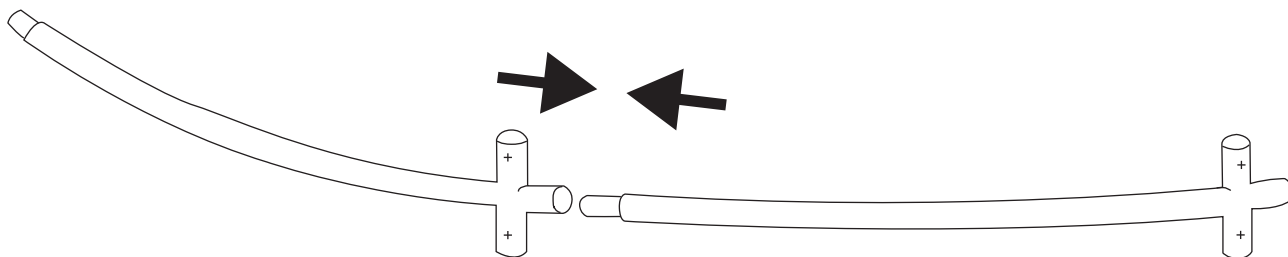
-Contém peças pequenas, pontas vivas e arestas vivas.

1

Comece montando 2 dos trilhos superiores (F) juntos em um arco.

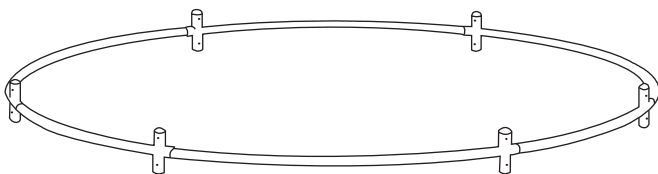
2

Continue a construir um círculo adicionando os 4 trilhos superiores (F) restantes ao arco que você fez na Etapa 1.



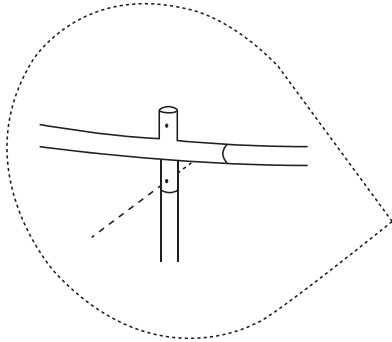
3

Juntar as 2 extremidades soltas do círculo pode exigir que você mantenha o quadro na borda e pressione para baixo nas 2 extremidades, enquanto as conecta.

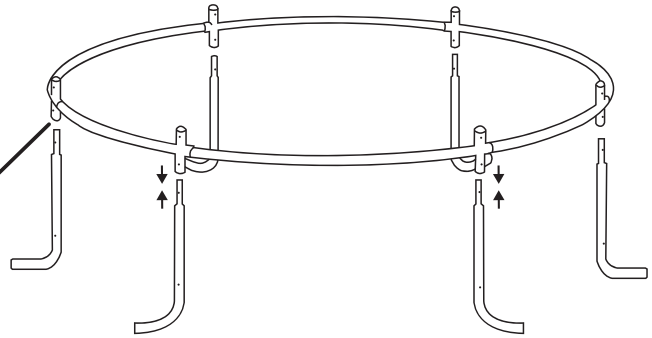


4

Com a estrutura do trilho superior (F) conectada em um círculo, coloque-a no chão (ambos os lados voltados para cima — eles são idênticos). Em seguida, insira a extremidade cônica de cada um dos 6 tubos das pernas (K) nas 6 tomadas das pernas viradas para cima, como mostrado. As Curvas devem todas apontar — longe do centro do trampolim.

**5**

Alinhe o orifício do parafuso no tubo da perna (k) com o orifício no encaixe da perna. Em seguida, segure com parafuso e aperte. **NÃO APERTE DEMASIADO.** Repita este procedimento até que todas as 6 pernas estejam firmemente fixadas à estrutura do trilho superior (F) com parafusos (D).



Instruções de montagem (tapete de salto)

OBSERVAÇÃO:

PERIGO DE ASFIXIA

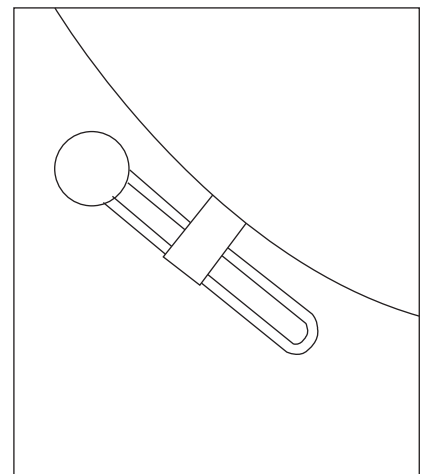
-Peças pequenas. Não se destina a crianças com menos de 3 anos.

MONTAGEM DE ADULTOS NECESSÁRIA

-Contém peças pequenas, pontas vivas e arestas vivas.

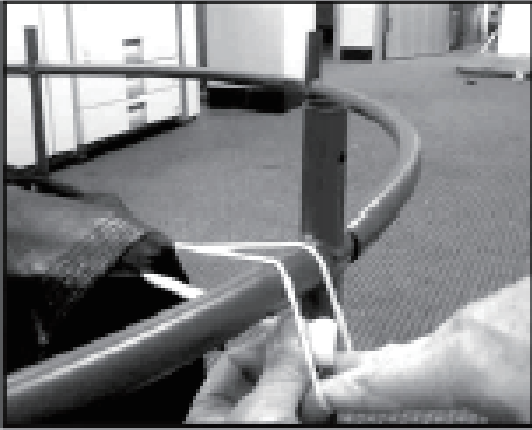
1

Coloque o tapete de salto (B) no centro do quadro. Em seguida, deslize um cabo de suspensão (C) da esquerda para a direita através do laço costurado, conforme mostrado.



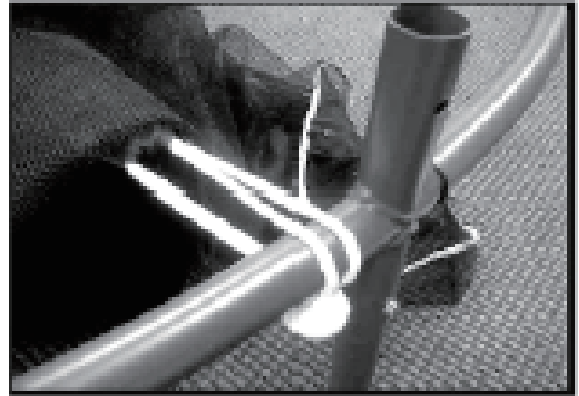
2

Use a mão direita para esticar a extremidade do laço do cabo (C) **SOBRE** o trilho superior (F) e a mão esquerda para puxar a extremidade da bola do cabo (C) **SOB** o trilho superior (F), em seguida, pressione a bola através do laço.



3

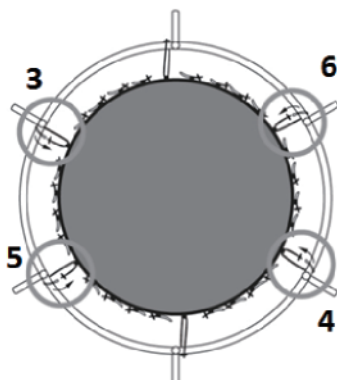
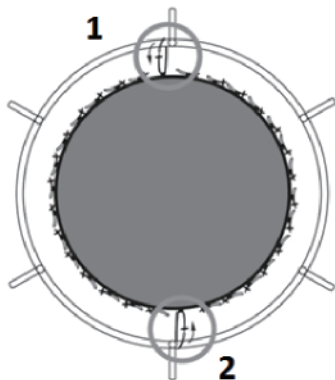
Solte **LENTAMENTE** a extremidade do laço do cabo para que ele capture o botão, bloqueando o cabo de suspensão (C) no lugar, como mostrado.



4

Do 1º cordão acoplado, conte ao redor do tapete de salto até o 16º loop. Como a imagem mostrar posição 1 & 2. Em seguida, repita o passo 1 para o passo 3 para fixar a posição 3,4,5,6.

Por fim, fixe todos os cabos de suspensão (C) uniformemente. Ao fazê-lo, garantirá uma tensão uniforme em torno de todo o tapete de saltos (B).

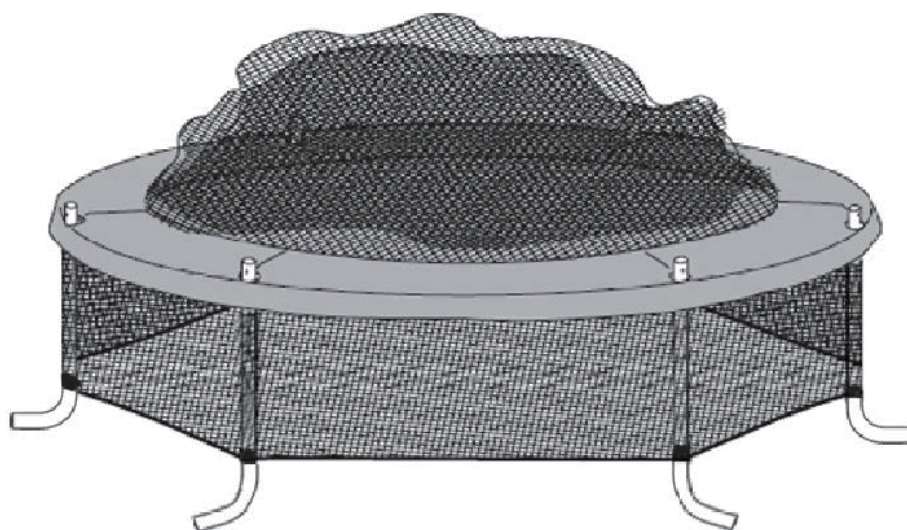
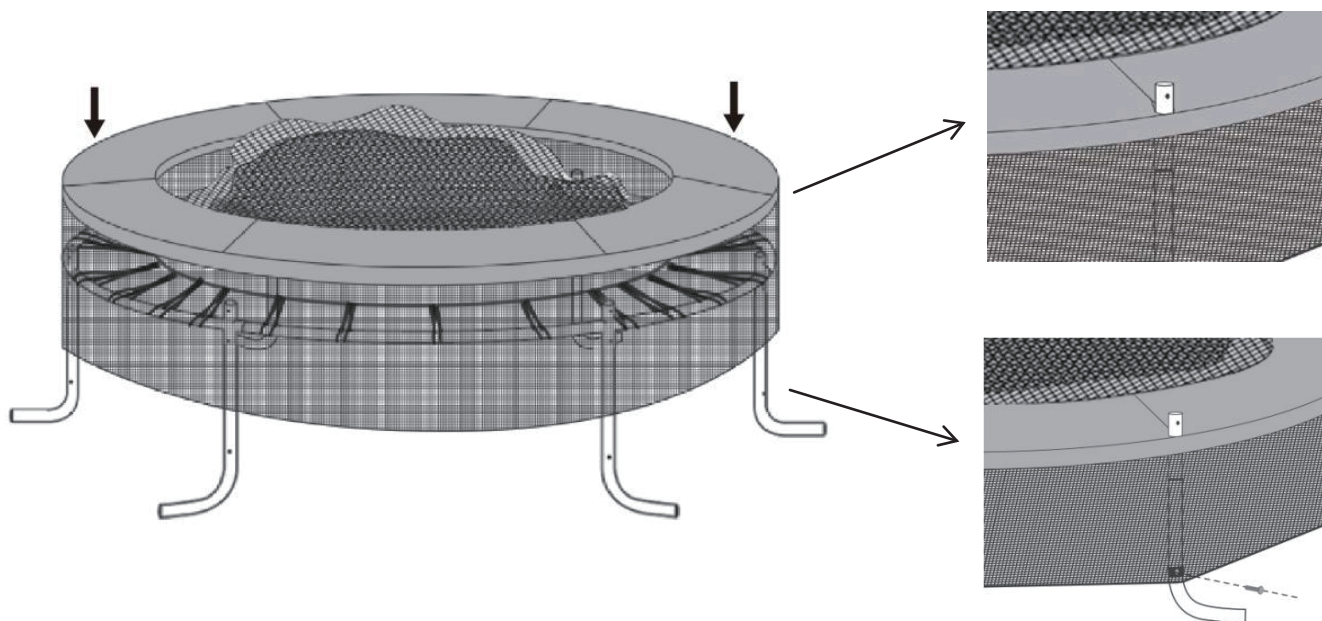


5

Coloque a tampa do quadro com malha de saia costurada (A) no quadro principal do trampolim. Entre cada seção da almofada da tampa do quadro, há um orifício embutido para prender a almofada ao tubo da perna/soquete da perna do compartimento.

6

Puxe a malha da saia costurada para baixo, alinhe o orifício na malha e no tubo da perna. Fixe a malha da saia ao tubo da perna com parafusos (D) e aperte-os com chave de fenda (E).



Instruções de montagem (Rede de Segurança do Compartimento)

OBSERVAÇÃO:

PERIGO DE ASFIXIA

-Peças pequenas. Não se destina a crianças com menos de 3 anos.

MONTAGEM DE ADULTOS NECESSÁRIA

-Contém peças pequenas, pontas vivas e arestas vivas.

1

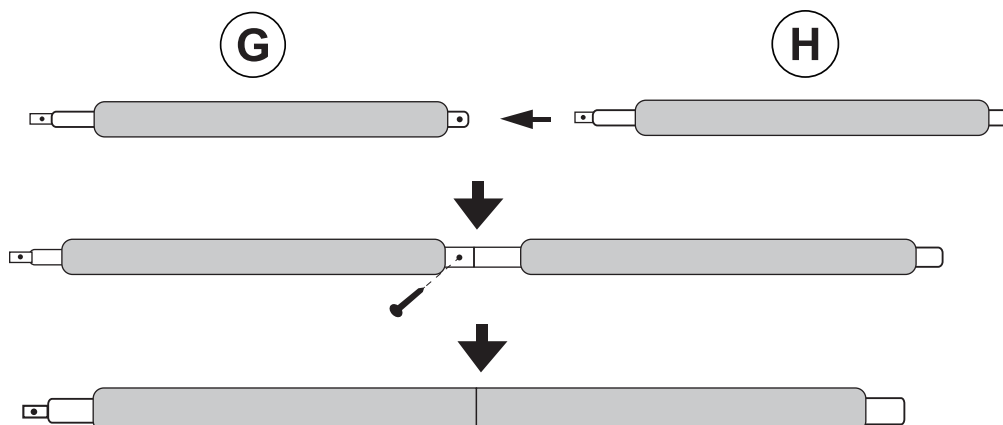
Insira a extremidade de menor diâmetro de um polo superior do compartimento (H) na extremidade de maior diâmetro de um polo inferior do compartimento (G) e alinhe os orifícios dos parafusos. (Pode ser necessário deslizar as mangas de espuma pré-instaladas para ter acesso às extremidades dos postes.)

2

Insira o parafuso (D) & aperte.

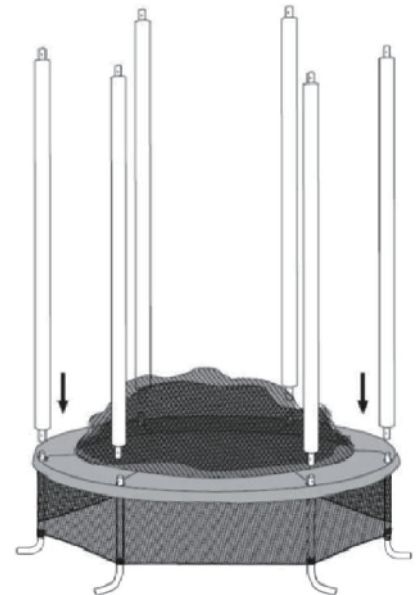
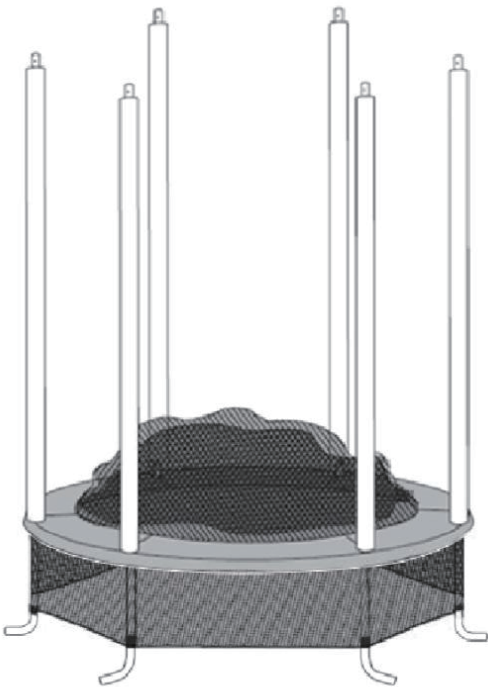
NÃO APERTE DEMAIS!

Repita os passos 1 a 2 para montar os restantes 5 conjuntos de polos superior (H) e inferior (G).



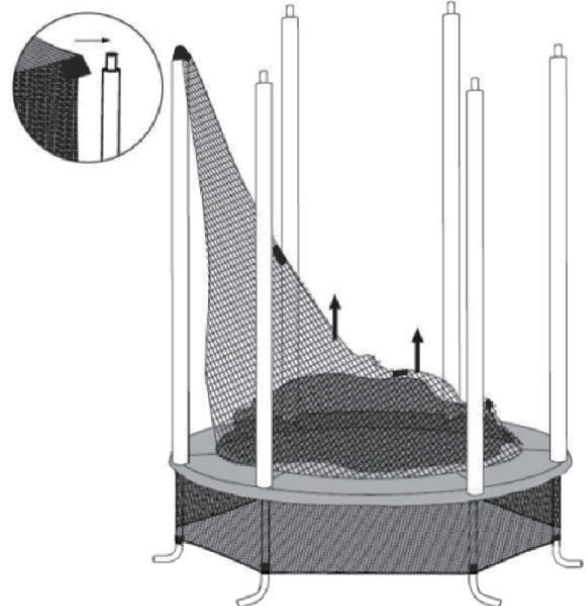
3

Insira a extremidade inferior do conjunto do polo inferior do compartimento (G) no soquete no quadro, conforme mostrado. Alinhe os orifícios dos parafusos.



4

Insira o parafuso (D) & aperte. **NÃO APERTE DEMAIS!** Repita o passo 3 para os restantes 5 conjuntos de polos (G) do compartimento. Quando é feito, parece como mostrado.

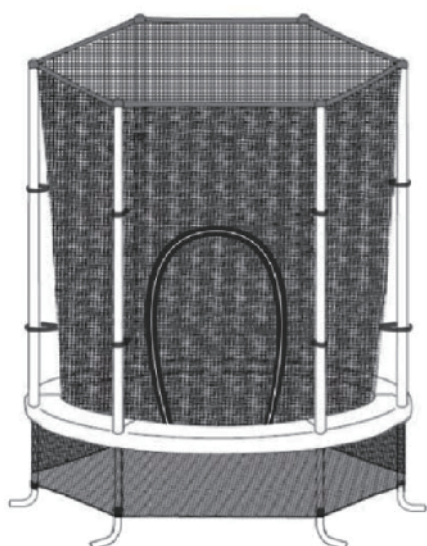
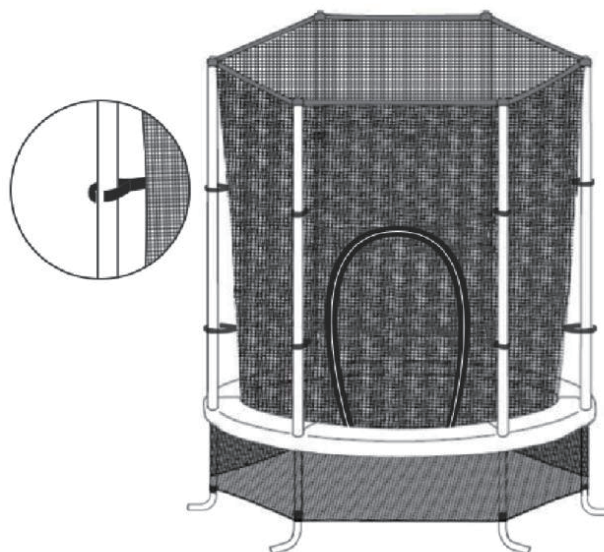


5

Fixe a rede do compartimento ao topo do tubo de polo.

6

Localize os conjuntos superior e inferior de fixadores de gancho e laço costurados à rede do compartimento. Envolver firmemente o gancho superior e inferior e os fixadores de laço em torno do polo do compartimento para fixar a rede no lugar.

**7**

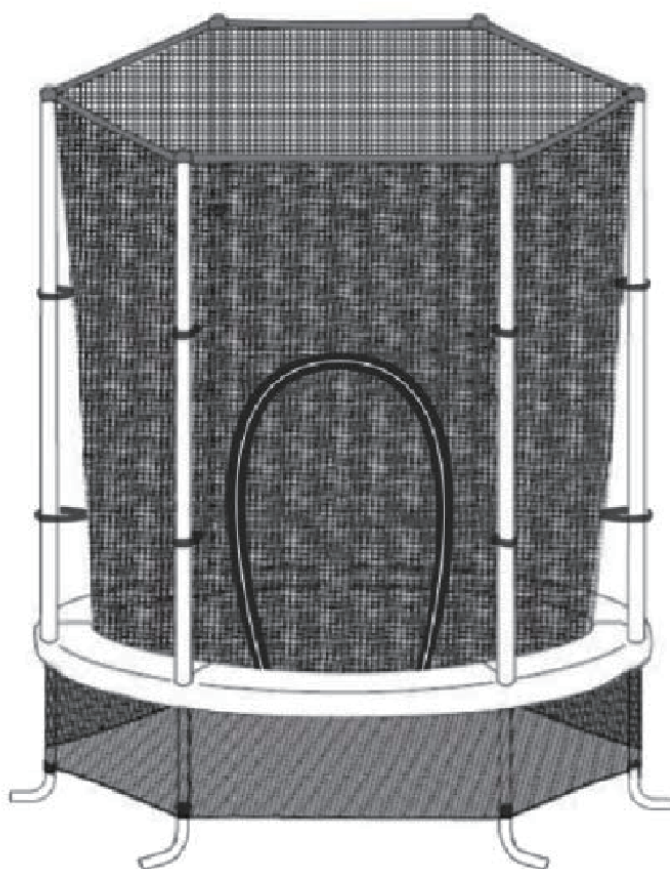
Repita o passo 6 com os restantes ganchos superiores ou inferiores e fixadores de laço nos outros 5 polos do compartimento. Quando terminar, o trampolim é como mostrado. A montagem está concluída e o trampolim está pronto para saltar!

Desmontagem

Para desmontar, basta seguir QUADRO DE INSTRUÇÕES DE MONTAGEM, ESTEIRA DE SALTO, REDE DE SEGURANÇA na ordem inversa, até ter desmontado o trampolim.

MINI TRAMPOLINO 55 & RETE DI SICUREZZA

IT



Si prega di leggere queste istruzioni prima di assemblare e utilizzare questo trampolino e questa recinzione del trampolino.

Conservare il presente manuale in modo da poterlo consultare in seguito.

Usò SOLO per i bambini dai 3 ai 6 anni.

Peso massimo dell'utente: 45kg.

OBBLIGATORIO MONTAGGIO DA ADULTO - Contiene piccole parti, punte affilate e spigoli vivi.

RISCHIO DI SOFFOCAMENTO - Piccole parti non sono per bambini di età inferiore a 3 anni.



**IMPORTANTE - CONSERVARE QUESTE INFORMAZIONI
PER CONSULTARLE IN SEGUITO: LEGGERE ATTENTAMENTE**

ISTRUZIONI DI ASSEMBLAGGIO

Dimensioni del prodotto: Ø140*H190cm

ISTRUZIONI DI SICUREZZA E UTILIZZO

Attenzione: Il trampolino deve essere assemblato da un adulto secondo le istruzioni di montaggio e ispezionato prima del primo utilizzo.

Attenzione: Seguire le istruzioni del produttore quando si salta con/senza scarpe.

Attenzione: Svuotare le tasche e le mani prima di saltare.

Attenzione: Saltare sempre al centro del tappeto, non ai lati.

Attenzione: Non mangiare mentre si salta.

Attenzione: Ogni salto non deve superare i 30 minuti e sono necessari almeno 10 minuti di riposo.

Attenzione: Assicurarsi di chiudere l'apertura della rete prima di saltare.

I trampolini non possono essere interrati.

I trampolini non devono essere installati su cemento, asfalto o altre superfici dure o vicino a caratteristiche incompatibili (es. piscine gonfiabili, scivoli, strutture per arrampicarsi).

Qualsiasi modifica apportata dal consumatore al trampolino originale (come l'aggiunta di accessori) deve essere fatta secondo le istruzioni del produttore.

ISTRUZIONI PER LA MANUTENZIONE

Durante i mesi invernali, la neve e le temperature estremamente basse possono danneggiare il trampolino. Si consiglia di rimuovere la neve e di riporre il tappeto e la copertura all'interno.

Sostituire reti e rivestimenti regolarmente ogni anno, e verificare che la struttura sia stabile per garantire la sicurezza.



AVVERTENZA:

Si prega di leggere questi istruzioni prima di assemblare e utilizzare il trampolino.

Responsabilità

Anche se si è fatto ogni sforzo per realizzare il massimo grado di protezione in tutte le attrezzature, non possiamo garantire l'assenza delle lesioni. L'utente si assume tutti i rischi di lesioni a causa dell'uso. Tutti i prodotti vengono venduti a queste condizioni, a cui nessun rappresentante dell'azienda può rinunciare o modificare.



AVVERTENZA:

Oltre alle istruzioni e precauzioni fornite insieme con il trampolino, si deve osservare le seguenti precauzioni durante l'utilizzo della rete di sicurezza del trampolino.

- NON tentare o consentire salti mortali sul trampolino. Atterrare sulla testa o sul collo può causare gravi lesioni, paralisi o morte, anche quando si atterra al centro del telo.
- Non consentire a più di una persona di salire sul trampolino o all'interno della rete di sicurezza del trampolino. L'utilizzo da parte di più persone allo stesso tempo può provocare lesioni gravi.
- La struttura metallica della rete di sicurezza del trampolino conduce l'elettricità. Le luci e i cavi di prolungamento e tutte le apparecchiature elettriche di questo tipo non devono mai entrare in contatto con la recinzione.
- Controllare la rete di sicurezza prima di ogni utilizzo. Assicurarsi che le cinghie e tutte le parti siano posizionate e fissate correttamente e saldamente.

Stringere qualsiasi componenti allentati. Sostituire le parti usurate, difettose o mancanti.

- Indossare indumenti confortevoli senza ganci, bottoni a pressione, coulisse o qualsiasi cosa che possa impigliarsi o agganciarsi nella rete della recinzione di sicurezza. Rimuovere gioielli, collane e orecchini. Salire e scendere dal trampolino solo attraverso l'ingresso della rete di sicurezza e chiudere saldamente l'ingresso. Gli utenti, in particolare i bambini, non devono tentare di entrare o uscire tra la struttura del trampolino e la rete di sicurezza in quanto ciò potrebbe comportare un rischio di strangolamento.
- Non toccare o rimbalzarsi sulla rete di sicurezza nell'utilizzo del trampolino.
- Leggere tutte le istruzioni e completare il montaggio prima di consentire al bambino di utilizzare il trampolino e la rete di sicurezza.
- Utilizzare il trampolino e la rete di sicurezza del trampolino solo con la supervisione di un adulto maturo e competente.

SOLO per uso ricreativo. Non per uso professionale.

Il limite di peso per l'utente del trampolino e della recinzione è di 45kg.



AVVERTENZA: **Istruzioni di montaggio e installazione**

- **OBBLIGATORIO MONTAGGIO DA ADULTO** - Contiene piccole parti, punte affilate e spigoli vivi.
- **RISCHIO DI SOFFOCAMENTO** - Piccole parti - Non adatto a bambini di età inferiore a 3 anni.
- **SOLO** per bambini di età compresa tra 3 e 6 anni.
- Il peso massimo dell'utente è di 45kg.
- È essenziale uno spazio libero adeguato. Si consiglia un minimo di 8 pollici dal livello del suolo. Fornire spazio per stare lontano da cavi, rami di alberi e altri possibili pericoli.
- La distanza laterale è essenziale. Posizionare il trampolino e la rete di sicurezza del trampolino lontano da muri, strutture, recinzioni e altre aree di gioco. Mantenere uno spazio libero su tutti i lati del trampolino e della rete di sicurezza del trampolino. Si consiglia un minimo di sei piedi dal bordo della struttura.
- Non installare mai il trampolino in condizioni di forte pioggia, vento o tempesta, in particolare temporali con fulmini. Si consiglia di smontare il trampolino e di riporlo in caso di maltempo.
- Posizionare il trampolino e la rete di sicurezza del trampolino su una superficie piana prima dell'uso.
- Proteggere il trampolino e la rete di sicurezza del trampolino da un uso non autorizzato e senza supervisione.
- Rimuovere eventuali ostacoli sotto il trampolino e dalla rete di sicurezza del trampolino prima dell'uso.
- Il proprietario e i supervisori del trampolino e della rete di sicurezza del trampolino sono responsabili di rendere tutti gli utenti consapevoli delle pratiche specificate nelle "Istruzioni per l'uso".



AVVERTENZA: **Istruzioni di Cura e Manutenzione**

Controllare il trampolino e la rete di sicurezza del trampolino prima di ogni utilizzo e sostituire le parti usurate, difettose o mancanti.

Le seguenti condizioni potrebbero rappresentare potenziali pericoli:

1. L'imbottitura della struttura, la rete di sicurezza, il sistema di supporto della rete di sicurezza (struttura), o i tappi dei montanti sono mancanti, posizionati in modo errato o fissati in modo non sicuro.
2. Forature, sfilacciature, lacerazioni o buchi usurati nell'imbottitura del telo o della struttura, nell'imbottitura del sistema di supporto della rete di sicurezza (struttura) e nei tappi di montanti.
3. Deterioramento delle cuciture o del tessuto dell'imbottitura del telo o della struttura, dell'imbottitura del sistema di supporto della rete di sicurezza (struttura) e dei tappi dei montanti.
4. Le corde di sospensione rotti.
5. la struttura o il sistema di supporto piegato o rotto.
6. La rete o il telo diventano cascanti.
7. Sporgenze dei componenti sulla struttura o sul sistema di sospensione, o
8. I componenti allentati o mancanti. Assicurarsi sempre che i componenti sono tutti stretti prima di ogni utilizzo.



AVVERTENZA:

Istruzioni di Uso

- NON tentare o consentire salti mortali sul trampolino. Atterrare sulla testa o sul collo può causare gravi lesioni, paralisi o morte, anche quando si atterra al centro del telo.
- Non consentire a più di una persona di salire sul trampolino o all'interno della rete di sicurezza del trampolino. L'utilizzo da parte di più persone allo stesso tempo può provocare lesioni gravi.
- Tenere lontani gli oggetti che potrebbero interferire con giocatore. Mantenere un'area libera intorno al trampolino. Non consentire oggetti estranei o animali sul trampolino.
- I bambini devono utilizzare il trampolino e la rete di sicurezza del trampolino solo con la supervisione di un adulto maturo e competente.
- Il trampolino è destinato ai bambini dai 3 ai 6 anni.
- Il trampolino deve essere assemblato completamente prima di ogni utilizzo. Tutte le corde di sospensione devono essere fissate alla struttura. La copertura della struttura deve essere sempre posizionata correttamente.
- Non installare mai il trampolino in condizioni di forte pioggia, vento o tempesta, in particolare temporali con fulmini. Si consiglia di smontare il trampolino e di riporlo in caso di maltempo.
- Controllare il trampolino e la rete di sicurezza prima di ogni utilizzo. Assicurarsi che il rivestimento del struttura, la rete della sicurezza e l'imbottitura del supporto della custodia siano posizionati correttamente e saldamente. Sostituire le parti usurate, difettose o mancanti.
- La struttura metallica del trampolino e della rete di sicurezza del trampolino condurrà l'elettricità. Le luci, i cavi di allungamenti e tutte queste apparecchiature elettriche non devono mai entrare in contatto con il trampolino o la rete di sicurezza del trampolino.
- Indossare abiti confortevoli. Rimuovere gioielli, collane e orecchini. Indossare indumenti senza cordoni, ganci, anelli o qualsiasi cosa che possa rimanere impigliata nella rete di sicurezza.
- Entrare e uscire dal trampolino solo dall'ingresso della rete di sicurezza o dall'apertura della recinzione designata a tale scopo. È pericoloso saltare dal trampolino a terra o all'ingresso quando si scende o saltare sul trampolino durante il montaggio. Non utilizzare il trampolino come trampolino di lancio per altri oggetti.
- Smettere di rimbalzare irritando le ginocchia quando i piedi entrano in contatto con il telo del trampolino. Imparare questa abilità prima di tentarne altre.
- Evitare di rimbalzare troppo in alto. Rimanere i rimbalzi bassi fino a quando non puoi ottenere il controllo del rimbalzo e l'atterraggio ripetuto al centro del trampolino. Il controllo è più importante dell'altezza.
- Mantenere la testa eretta, focalizzando gli occhi verso il perimetro del trampolino e il che aiuterà a controllare il rimbalzo.
- Evitare di rimbalzare quando si sente stanchi. Mantenere breve l'attività d'imbalzo.
- Fissare adeguatamente il trampolino quando non viene utilizzato. Prevenire l'uso non autorizzato.
- Il supervisore adulto non deve essere sotto l'influenza di alcol o droghe.
- Per ulteriori informazioni sull'attrezzatura del trampolino, contattare il produttore.
- Per informazioni sull'addestramento delle abilità, contattare un istruttore di trampolino certificato.
- Rimbalzare solo quando la superficie del telo è asciutta. Il movimento del vento o dell'aria dovrebbe essere da calmo a leggero. Il trampolino non deve essere utilizzato in presenza di forti venti. Il trampolino deve essere smontato o conservato al chiuso durante questi tipi di condizioni meteorologiche.
- Leggere tutte le istruzioni prima di utilizzare il trampolino e la rete di sicurezza del trampolino. Le avvertenze e le istruzioni per la cura, la manutenzione e l'uso di questo trampolino e di questa rete di sicurezza del trampolino sono incluse per contribuire ad un uso sicuro e piacevole di questa attrezzatura.
- Non rimbalzare intenzionalmente sulla rete di sicurezza.
- Non tentare di saltare oltre la rete o tentare di strisciare sotto la rete.
- Non appendersi, calciare, tagliare o arrampicarsi sulla rete.
- Non collegare nulla alla rete che non sia un accessorio approvato dal produttore o parte del sistema di rete di sicurezza.

Sicurezza del Trampolino e Prevenzione degli Infortuni

Proprio come in tanti sport ricreativi, i partecipanti possono essere feriti. Questa sezione illustrano gli incidenti più comuni. Sono sottolineati anche le responsabilità dei supervisori e dei saltatori nella prevenzione degli infortuni.

I seguenti sono le cause per cui si verificano gli incidenti:

- Tentare i salti mortali. Atterrare sulla testa o sul collo può causare gravi lesioni, paralisi o morte, anche quando si atterra al centro del telo.
- Più di una persona sul trampolino. L'utilizzo da parte di più persone allo stesso tempo può portare alle lesioni gravi.
- Montaggio e smontaggio in modo errato. Entrare e uscire con attenzione dalla telo del trampolino. Non saltare a terra. Non saltare da un tetto o da altri oggetti al di sopra del trampolino. I bambini piccoli potrebbero aver bisogno di assistenza per salire o scendere dal trampolino. Non salire sul sistema di sospensione.
- Colpire la struttura. Rimanere al centro del trampolino quando si salta;. Quando si perde il controllo e colpisce la struttura, si potrebbe subire lesioni. Assicurarsi che la copertura della struttura sia sempre inserita e che le imbottiture siano ben fissate. Non saltare direttamente sulle imbottiture della struttura.
- Perdita di controllo. Un saltatore che perde il controllo aumenterà le sue possibilità di infortunio. Assicurarsi di familiarizzare con i salti di base prima di fare quelli più difficili. I salti dovrebbero essere padroneggiati, eseguiti ripetutamente prima di passare al livello successivo. Per riprendere il controllo e fermare il salto, si deve piegare pienamente le ginocchia mentre si atterra.
- Il supervisore adulto non deve essere sotto l'influenza di alcol o droghe.
- Oggetti estranei. Assicurarsi che non ci sia niente di affilato sotto e intorno al trampolino. Colpire oggetti sotto il trampolino può causare lesioni. Anche saltare con un oggetto estraneo può aumentare le possibilità di ferirsi. Assicurarsi che ci sia spazio adeguato 8 piedi sopra e 6 piedi intorno al trampolino. Fare attenzione ai cavi sopraelevati, ai rami degli alberi, ecc.
- Intemperie. Non utilizzare il trampolino in caso di forte vento o condizioni meteorologiche avverse. Il telo non dovrebbe essere bagnato.
- Scarsa manutenzione del trampolino. Assicurarsi di controllare il trampolino prima di ogni utilizzo. Verificare la presenza di forature sul telo, sbavature taglienti sulla struttura, cuciture deteriorate o elastici allentati. Se è necessario sostituire un componente, chiamare la nostra hotline per ordinare.
- Accesso illimitato. Il trampolino deve essere coperto o smontato quando non viene utilizzato. Ciò impedirà ai bambini piccoli senza supervisione di utilizzare il trampolino.

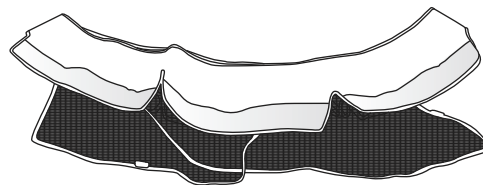
Ruolo Supervisore del Proprietario in Prevenzione degli Infortuni & Responsabilità

Il ruolo del supervisore è assicurarsi che gli utenti conoscano tutte le regole di sicurezza e apprendano i rimbalzi di base. Devono far rispettare tutte le regole di sicurezza e le avvertenze nel manuale, nella struttura e nelle etichette. Quando un supervisore non è disponibile, il trampolino deve essere smontato o coperto per limitare l'accesso. È responsabilità del supervisore che i cartelli con i suggerimenti per la sicurezza del trampolino e per la sicurezza della rete di sicurezza vengano esaminati e tutti i saltatori siano informati sui suggerimenti.

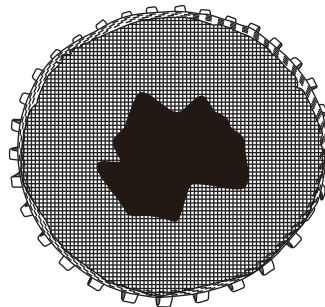
Ruolo dell'Utente in Prevenzione di Infortuni & Responsabilità

Il saltatore deve imparare tutti i rimbalzi fondamentali prima di tentare quelli più difficili. I rimbalzi bassi e controllati sono un buon inizio prima di imparare gli altri imbalzi o le combinazioni di azioni di rimbalzo di base. I saltatori devono capire che il controllo è la chiave per un salto di successo. Seguire i suggerimenti sui cartelli è importante. Contattare un istruttore di trampolino certificato per ulteriori informazioni.

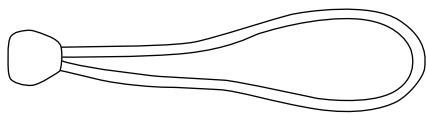
PARTI	QTY.	ARTICOLO
<i>Copertura del telaio con gonna in rete</i>	1	A
<i>Tappetino da salto con rete encl.</i>	1	B
<i>Cavo di sospensione</i>	30	C
<i>Vite</i>	24	D
<i>Cacciavite</i>	1	E
<i>Binario superiore</i>	6	F
<i>Palo inferiore e schiuma</i>	6	G
<i>Palo superiore della recinzione e schiuma</i>	6	H
<i>Tubo gamba</i>	6	K



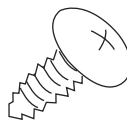
A Copertura del telaio con rete della gonna cucita (1)



B Tappetino da salto con rete di recinzione cucita (1)



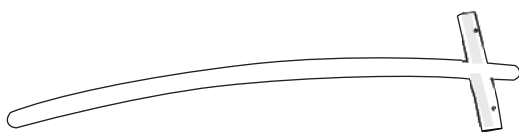
C Cavo di sospensione



D Vite



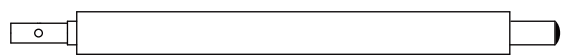
E Cacciavite



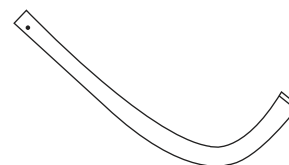
F Binario superiore



G Palo inferiore della recinzione e schiuma



H Palo superiore della recinzione e schiuma



K Tubo gamba

Istruzioni di montaggio (telaio)

NOTA:

PERICOLO DI SOFFOCAMENTO

-Piccole parti. Non per bambini sotto i 3 anni.

MONTAGGIO ADULTO RICHIESTO

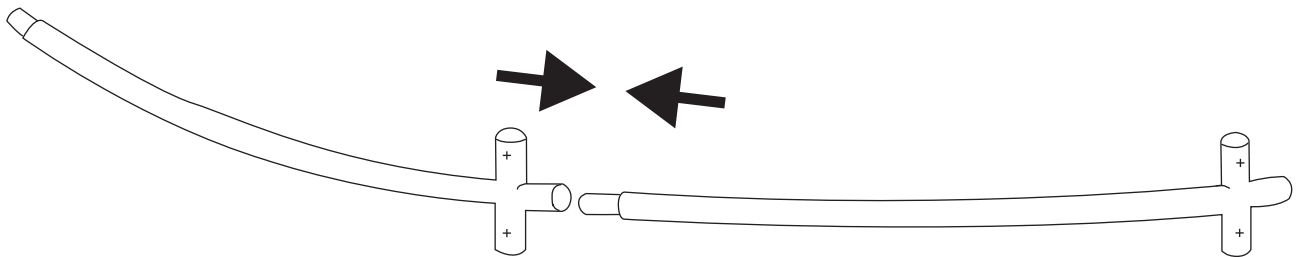
-Contiene piccole parti, punte acuminate e spigoli vivi.

1

Inizia assemblando 2 delle guide superiori (F) insieme in un arco.

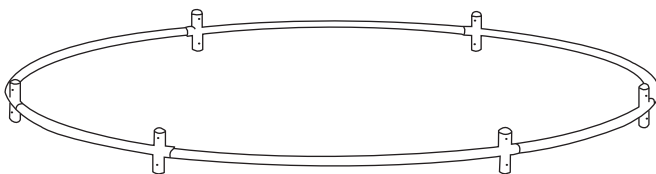
2

Continua a costruire un cerchio aggiungendo i restanti 4 binari superiori (F) all'arco che hai creato nel passaggio 1.



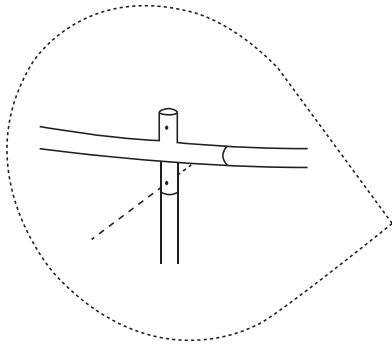
3

Per unire le 2 estremità libere del cerchio potrebbe essere necessario posizionare il telaio sul bordo e premere verso il basso sulle 2 estremità, collegandole insieme.

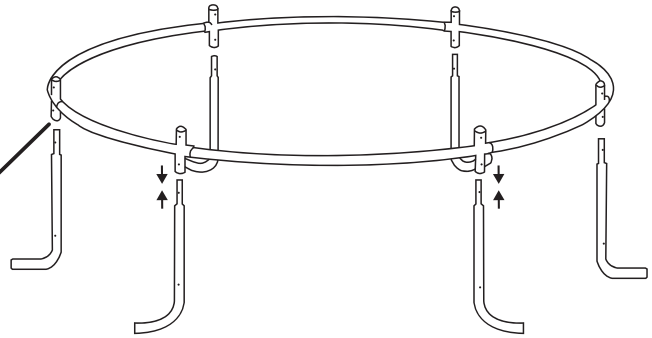


4

Con il telaio del binario superiore (F) collegato in un cerchio, appoggialo sul pavimento (entrambi i lati rivolti verso l'alto: sono identici). Quindi inserire l'estremità conica di ciascuno dei 6 tubi delle gambe (K) nelle 6 prese delle gambe rivolte verso l'alto, come mostrato. Le curve dovrebbero essere tutte rivolte verso l'esterno, lontano dal centro del trampolino.

**5**

Allineare il foro della vite nel tubo della gamba (k) con il foro nell'incavo della gamba. Quindi fissare con la vite e serrare. **NON STRINGERE ECCESSIVAMENTE.** Ripetere l'operazione fino a quando tutte e 6 le gambe sono fissate saldamente al telaio della guida superiore (F) con le viti (D).



Istruzioni di montaggio (tappetino da salto)

NOTA:

PERICOLO DI SOFFOCAMENTO

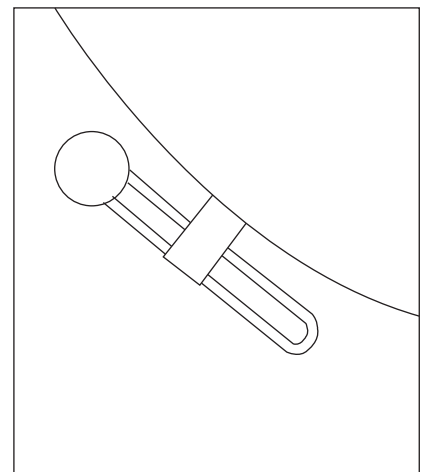
-Piccole parti. Non per bambini sotto i 3 anni.

MONTAGGIO ADULTO RICHIESTO

-Contiene piccole parti, punte acuminate e spigoli vivi.

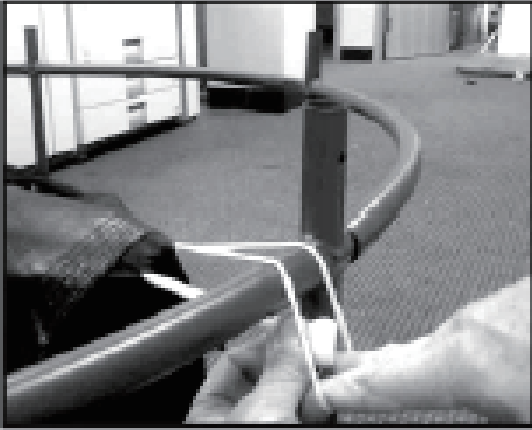
1

Stendere il tappetino da salto (B) al centro del telaio. Quindi far scorrere un cavo di sospensione (C) da sinistra a destra attraverso l'anello cucito come mostrato.



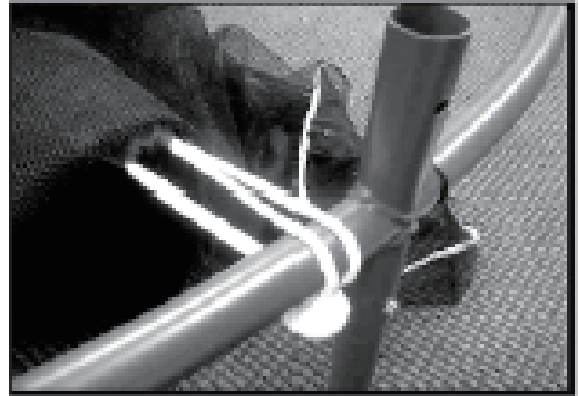
2

Usa la mano destra per allungare l'estremità ad anello del cavo (C) SOPRA la guida superiore (F) e la mano sinistra per tirare l'estremità sferica del cavo (C) SOTTO la guida superiore (F), quindi premi la palla attraverso l'anello.



3

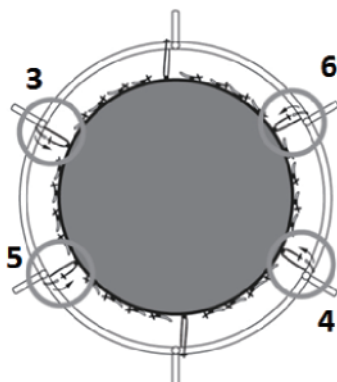
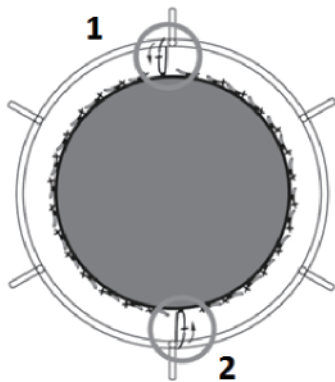
Rilasciare LENTAMENTE l'estremità ad anello del cavo in modo che catturi la manopola, bloccando il cavo di sospensione (C) in posizione, come mostrato.



4

Dal 1° cordino attaccato, conta intorno al tappeto da salto fino al 16° anello. Come nell'immagine che mostra la posizione 1 e 2. Quindi ripetere i passaggi da 1 a 3 per fissare la posizione 3,4,5,6.

Infine, fissare tutti i cavi di sospensione (C) in modo uniforme. In questo modo, garantirà una tensione uniforme attorno all'intero tappeto da salto (B).

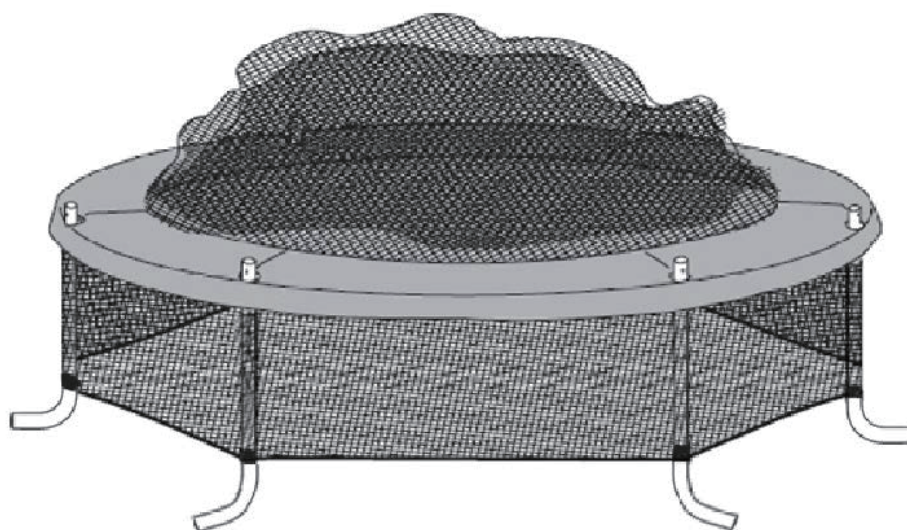
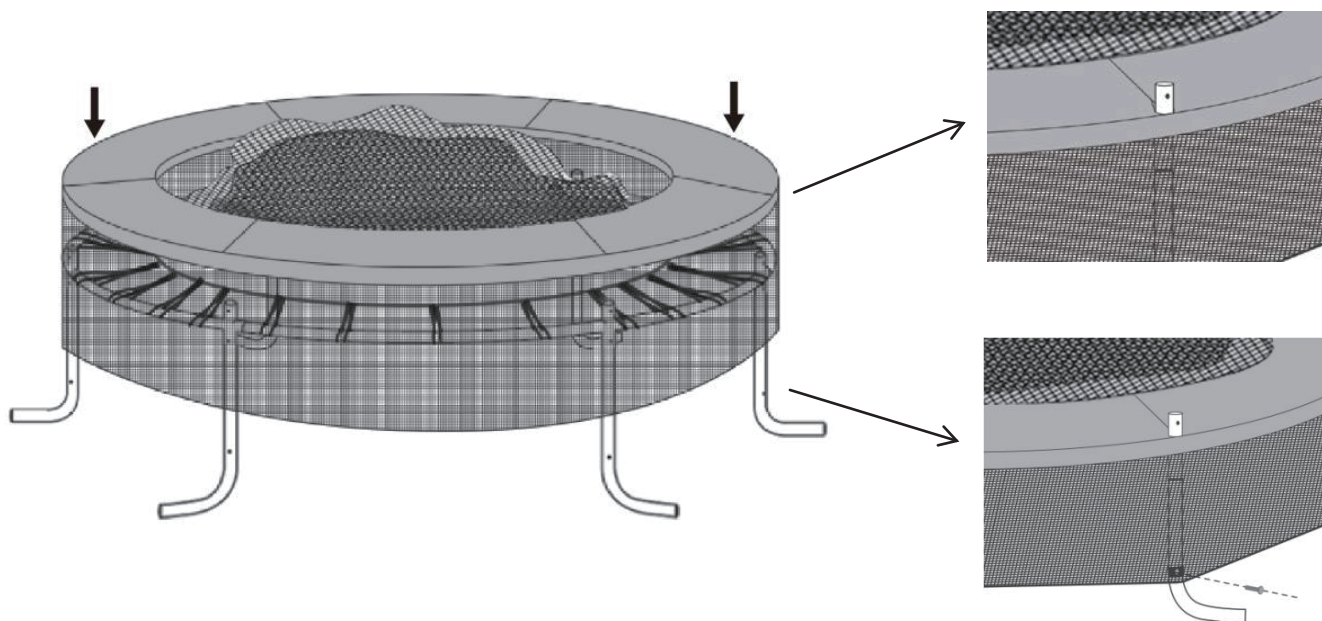


5

Posizionare la copertura del telaio con la rete della gonna cucita (A) sul telaio principale del trampolino. Tra ogni sezione del cuscinetto del coperchio del telaio, c'è un foro incorporato per fissare il cuscinetto al tubo della gamba/presa della gamba del recinto.

6

Tirare verso il basso la rete della gonna cucita, allineare il foro sia sulla rete che sul tubo della gamba. Fissare la rete del mantello al tubo della gamba con le viti (D) e serrarle con il cacciavite (E).



Istruzioni di montaggio (Rete di sicurezza)

NOTA:

PERICOLO DI SOFFOCAMENTO

-Piccole parti. Non per bambini sotto i 3 anni.

MONTAGGIO ADULTO RICHIESTO

-Contiene piccole parti, punte acuminate e spigoli vivi.

1

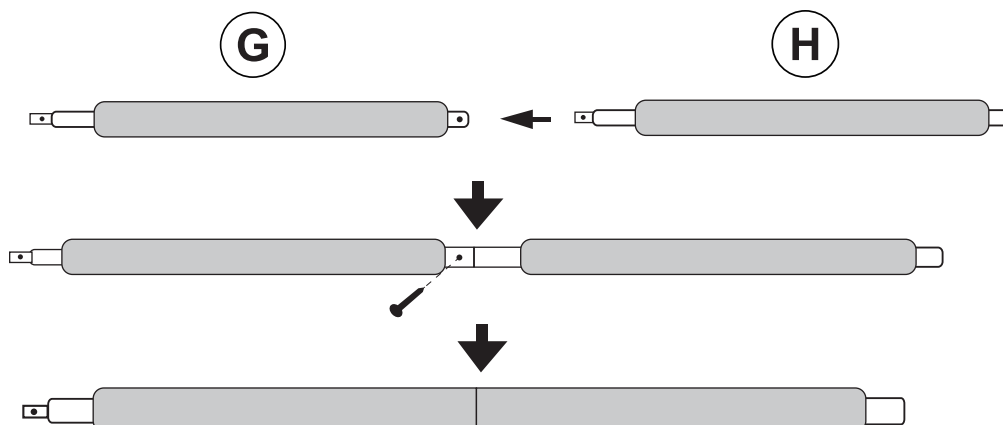
Inserire l'estremità di diametro più piccolo di un palo superiore dell'armadio (H) nell'estremità di diametro maggiore di un palo inferiore dell'armadio (G) e allineare i fori delle viti. (Potrebbe essere necessario far scorrere i manicotti in schiuma preinstallati per accedere alle estremità dei pali.)

2

Inserire la vite (D) e serrare.

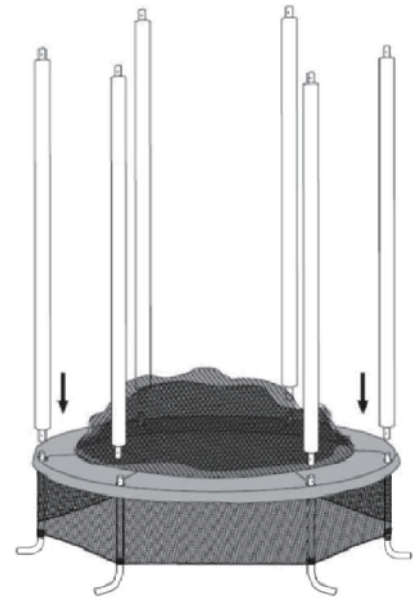
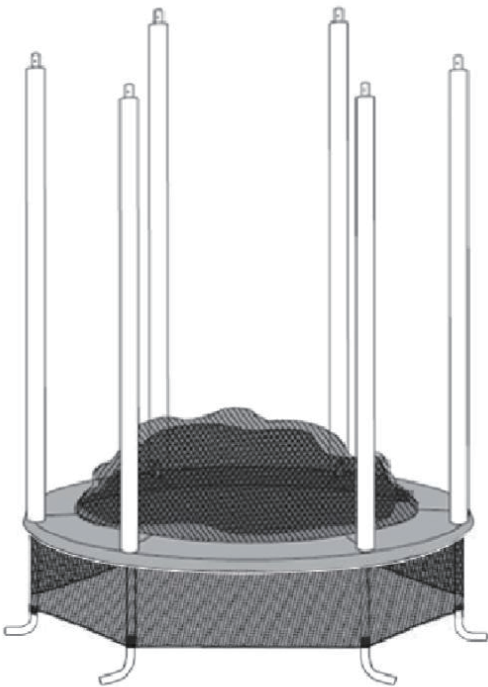
**NON STRINGERE
ECESSIVAMENTE!**

Ripetere i passaggi 1 e 2 per assemblare i restanti 5 set di pali superiore (H) e inferiore (G).



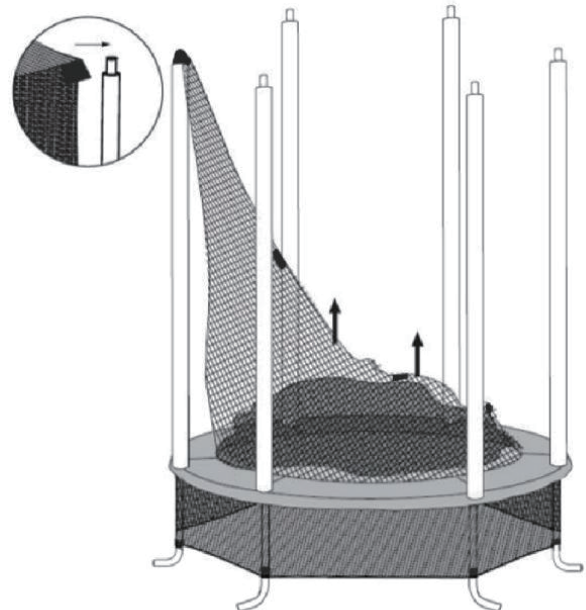
3

Inserire l'estremità inferiore del gruppo palo inferiore dell'involucro (G) nella presa sul telaio, come mostrato. Allineare i fori delle viti.



4

Inserire la vite (D) e serrare. **NON STRINGERE ECCESSIVAMENTE!** Ripetere il passaggio 3 per i restanti 5 gruppi di pali dell'armadio (G). Al termine, l'aspetto è quello mostrato.

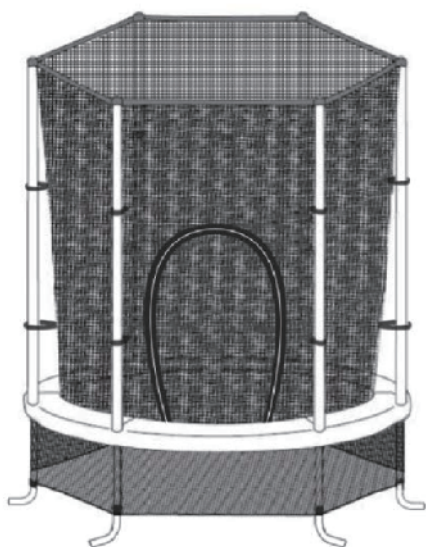
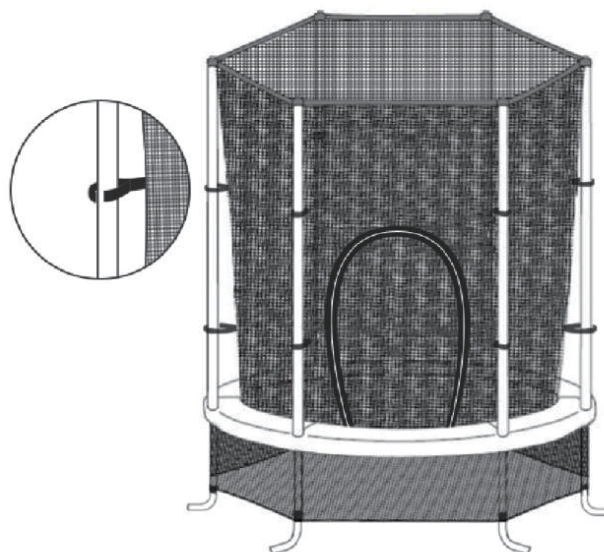


5

Fissare la rete dell'involucro alla parte superiore del tubo del palo.

6

Individuare i set superiore e inferiore di chiusure a strappo cucite alla rete della recinzione. Avvolgere saldamente sia la chiusure a strappo superiore che quella inferiore attorno al palo della recinzione per fissare la rete in posizione.

**7**

Ripetere il passaggio 6 con le restanti chiusure a strappo superiori e inferiori sugli altri 5 pali dell'armadio. Al termine, il trampolino è come mostrato. Il montaggio è ora completato e il trampolino è pronto per il salto!

Smontaggio

Per smontare, è sufficiente seguire le ISTRUZIONI DI MONTAGGIO-TELAIO, TAPPETINO DA SALTO, RETE DI RECINZIONE DI SICUREZZA in ordine inverso, fino a smontare il trampolino.

UK

If you have any questions, please contact our customer care center.

Our contact details are below:



0044-800-240-4004



enquiries@mhstar.co.uk

IMPORTER ADDRESS:

MH STAR UK LTD
Unit 27, Perivale Park,
Horsenden lane South
Perivale, UB6 7RH
MADE IN CHINA

ES

Si tiene alguna pregunta, comuníquese con nuestro Centro de Atención al Cliente. Nuestros datos de contacto son los siguientes:



0034-931294512



atencioncliente@aosom.es

Importador/Fabricante/REP:

Spanish Aosom, S.L.
C/ Roc Gros, nº 15. 08550, Els Hostalets de Balenyà,
Spain.
B66295775
HECHO EN CHINA

FR

Si vous avez la moindre question, veuillez contacter notre centre d'assistance à la clientèle.

Nos coordonnées sont les suivantes:



0033-1-84166106



aosom@mhfrance.fr

Importé par/Fabricant/REP :

MH France
2, rue Maurice Hartmann
92130 Issy-les-Moulineaux
France
Fabriqué en Chine

PT

Se tiver alguma dúvida, por favor contacte o nosso Centro de Atendimento ao Cliente. Os nossos dados de contacto são os seguintes:



0034-931294512



info@aosom.pt.

IMPORTADOR:

SPANISH AOSOM, S.L
C.ROC GROS N.15, 08550. ELS HOSTALETS DE BALENYÀ
TEL: 931294512 (SEG-SEX DAS 7:30H ÀS 16:30H)
INFO@AOSOM.PT
FEITO NA CHINA

DE

Wenn Sie Fragen haben, wenden Sie sich bitte an unser Kundendienstzentrum.

Unsere Kontaktdaten stehen unten:



0049-0(40)-88307530



service@aosom.de

Importeur/Hersteller/REP:

MH Handel GmbH
Wendenstraße 309
D-20537 Hamburg
Germany
IN CHINA HERGESTELLT

IT

In caso di dubbio, si prega di contattare il nostro centro assistenza clienti. I nostri dettagli di contatto sono di seguito:



0039-0249471447



clienti@aosom.it

IMPORTATO DA/Produttore/REP:

AOSOM Italy srl
Centro Direzionale Milanofiori
Strada 1 Palazzo F1
20057 Assago (MI)
P.I.: 08567220960
FATTO IN CINA



FR
DONNEZ
OU
RECYCLEZ

 OU  OU 

ASSOCIATION LIVRAISON DÉCHÈTERIE

Adresses sur quefairedemesdechets.fr

Aosom