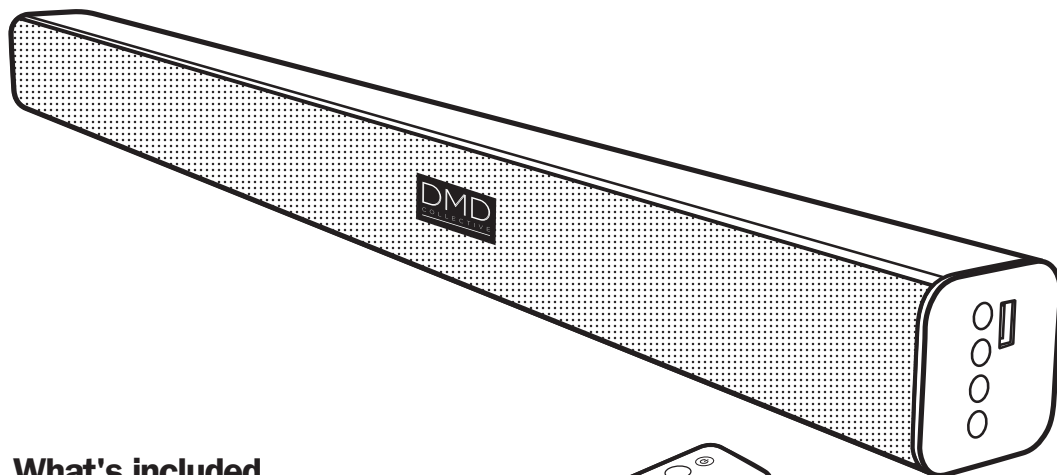

All-In-One Wireless Soundbar

Information for use



What's included

- Soundbar
- Power cable (UK plug)
- AUX cable
- Remote control

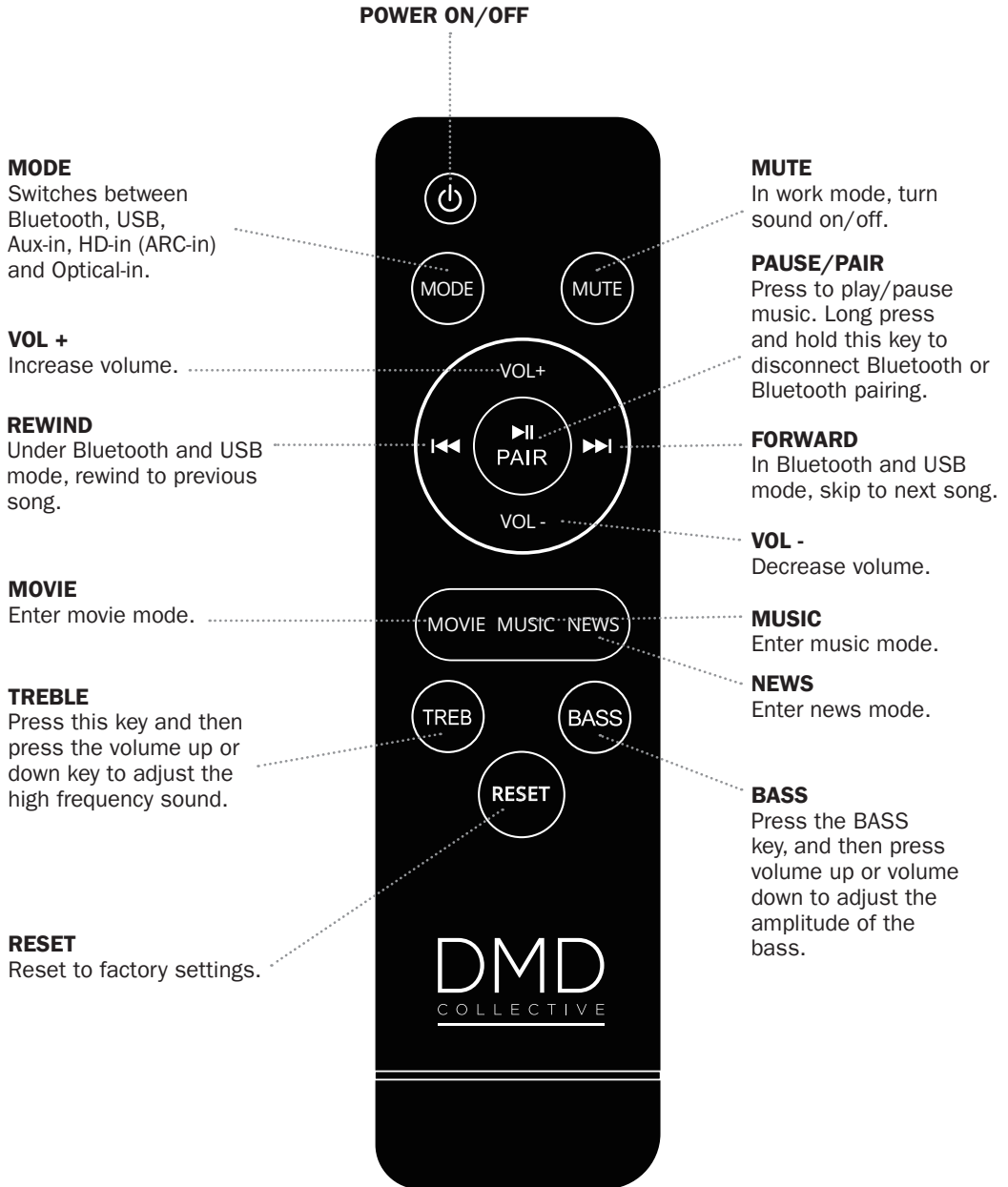
Thank you for purchasing this All-In-One Wireless Soundbar from DMD Collective.

This soundbar is your gateway to a world of immersive audio. This sleek, 2.0-channel powerhouse delivers rich, crystal-clear sound that transforms your TV viewing and music listening. Please read through all the information in this document and keep it for future reference.

Health and Safety Guidelines

- Always unplug the unit when not in use, before cleaning, or when adding or removing parts. Please read the instructions carefully before using any appliance.
- Always ensure that the voltage on the rating label corresponds to the mains voltage in your home.
- Incorrect operation and improper use can damage the appliance and cause injury to the user.
- The appliance is intended for household use only. Commercial use invalidates the warranty, and the supplier cannot be held responsible for injury or damage caused when using the appliance for any other purpose than that intended.
- **Warning:** This product is not intended for use by children or individuals with reduced physical, sensory, or mental capabilities unless supervised by a responsible adult. Small parts may present a choking hazard. Always keep out of reach of children.
- Check the power cord and plug regularly for any damage. The cord or plug will need to be replaced if it is damaged.
- Do not use the appliance if it has been dropped or damaged in any way. If the unit is damaged, take it in for examination and/or repair by an authorized service agent.
- To reduce the risk of electric shock, do not immerse or expose the assembly, plug, or power cord to water or any other liquid.
- Never immerse the unit in water or any other liquid for cleaning purposes. Do not reach for an appliance that has fallen into the water. Unplug immediately.
- Remove the plug from the socket by gripping the plug. Do not pull on the cord to disconnect the appliance from the mains.
- Injury, fire, or electric shock could result from the use of accessory attachments that the manufacturer has not approved or supplied.
- A short cord is provided to reduce the hazards resulting from becoming entangled in or tripping over a longer cord.
- Do not let the cord hang over the edge of a table or counter.
- Ensure that the cord is not in a position where it can be pulled inadvertently.
- Do not allow the cord to touch hot surfaces, and do not place it on or near a hot gas or electric burner or in a heated oven. Do not place the unit on a hot surface.
- This appliance is not suitable for outdoor use. Do not use this appliance for anything other than its intended purpose.
- Do NOT carry the unit by the power cord.
- Do not leave this appliance unattended during use. An appliance should never be left unattended when plugged in.
- The manufacturer does not accept responsibility for any damage or injury caused by improper or incorrect use or for repairs carried out by unauthorised personnel.
- In the event of technical problems, switch off the appliance and do not attempt to repair it yourself. Return the appliance to an authorised service facility for examination, adjustment, or repair.
- Always insist on the use of original spare parts. Failure to comply with the above-mentioned precautions and instructions will affect the safe operation of this machine.
- We do not recommend using extension cords with this product.
- Do not cover the unit during use. Do not impede ventilation by covering ventilation openings with cloths, curtains or similar items.

Remote Control



PLEASE NOTE: The remote control requires 2x AAA batteries (not supplied).

Side Panel

POWER/MODE

Power On/Off - (long press)
Mode (USB, HD) - (short press)

PAUSE

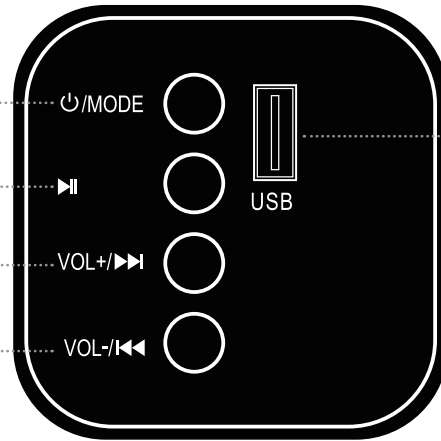
Pause/Play

VOL +/ FORWARD

Volume up - (long press)
Forward - (short press)

VOL +/- REWIND

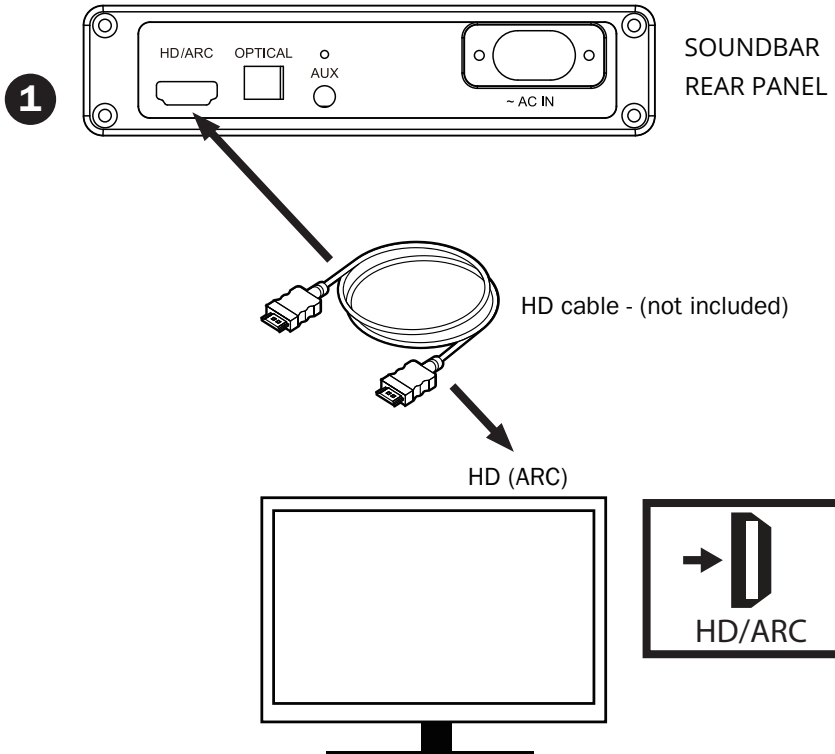
Volume down - (long press)
Previous - (short press)



USB
USB port
(32GB maximum)

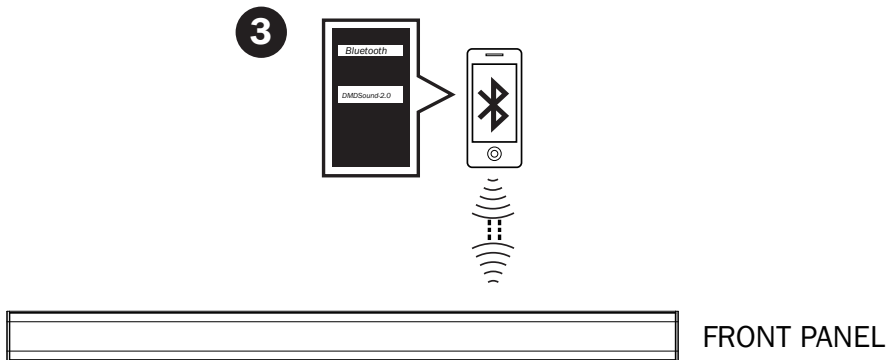
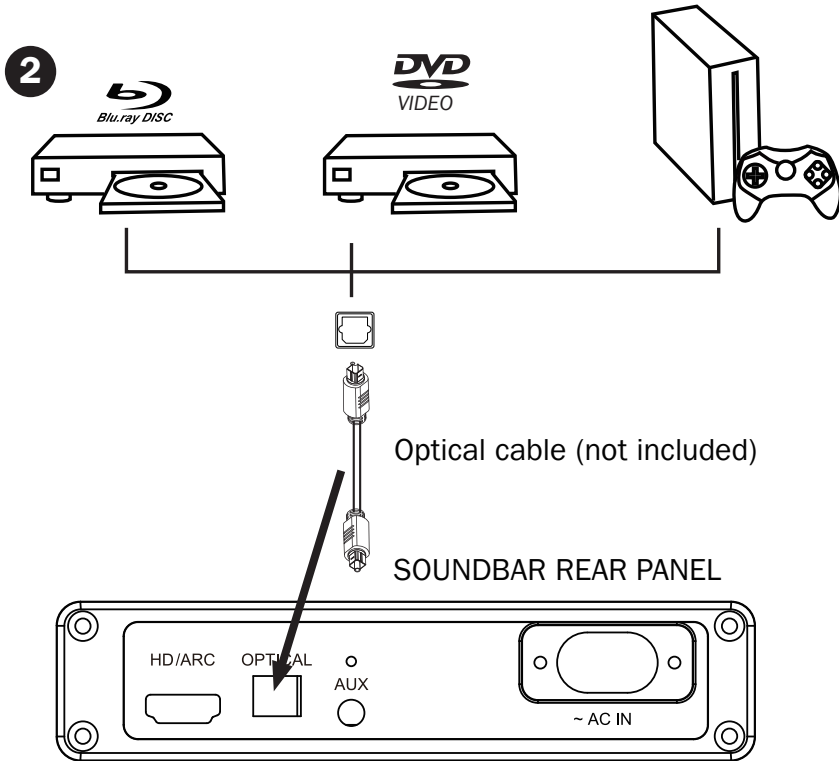
Connecting The Soundbar To TV

- Connection to TV: Connect a HDMI cable (not included) to the HD Input on the soundbar & the **HD (ARC)** output on your TV (Fig. 1).
- Alternatively, you can use the AUX cable (included) to connect the 'AUX-IN' port on the soundbar to the Auxiliary out or the Headphone jack on the TV.



Connecting The Soundbar To Other Devices

- Connect the optical input on the soundbar to OPTICAL output of other devices (Blu-ray/DVD player/Gaming consoles) using an optical cable (not included) (Fig.2).
- Other audio sources: You can also connect via bluetooth/AUX-IN (Fig. 3).



Operating Instructions

Once the power adapter is connected to the speaker, the display will light up with a prompt & alert sound which means that the soundbar is successfully powered on. Press and hold the Power/Mode button on the side panel or the Mode key on the remote control to choose your required mode.

Bluetooth Connect Mode

1. Press the 'MODE' button repeatedly until Bluetooth connect mode is selected. The display will show 'bt'.
2. On your Bluetooth-enabled device, choose 'DMDSound-2.0', the name of the sound bar. The display blinks, indicating that it is waiting for pairing, once pairing is successful, the indicator remains on, display shows 'bt' and stops flashing.
3. Now you can play music from your Bluetooth-enabled device on the sound bar. Press the rewind or forward button on the remote control to play the previous or next song.



Aux Input

To connect the speaker to audio equipment via Aux cable, select 'AUH' using the Mode key on the remote control or the Power/Mode key on the side panel. 'AUH' will appear on the screen, followed by the 'AUH' prompt.



HD/ARC Input

If you're using a HDMI cable to connect the speaker to the **HD/ARC** port on your TV. Use the mode button on the remote control or the Power/Mode key on the side plate to select 'tv'. The screen displays 'tv' accompanied by the 'tv' prompt.

PLEASE NOTE: Not all TVs support the HDMI function; you may need to adjust your TV's settings. TV settings vary, but you can usually activate PCM mode by going to Settings, Sound Settings, and then selecting the PCM audio output option. You may need to check the TV's HMDI port, which is located near the speaker.



Optical Input

If you're using an optical cable to connect the speaker, select 'OPT' using the mode button on the remote control or the Power/Mode key on the side plate. The screen displays 'OPT', along with the 'OPT' prompt.



Recommended Placement


Under the TV (if wall-mounted) or in front of it.

Technical Support

If you require any technical support for your product within the warranty period, please contact us on **support@dmdcollective.co.uk** and provide the product name and supplier code (see Technical Specifications) along with the technical query and proof of purchase.

WEEE



The WEEE symbol  on this product means that this unit should be ethically dismantled or recycled to minimise environmental impact. Please check with your local authority for more information.

IMPORTANT: ADDITIONAL SAFETY INFORMATION

This device is **NOT** intended for use by persons (including children) with reduced physical, sensory or mental capabilities, or lack of experience and knowledge, unless they are supervised or have been given instruction concerning use of the device by a person responsible for their safety.

Technical Specifications

Product Name:	DMD All-In-One Wireless Soundbar
Supplier Code:	DMD113
Voltage:	220V-240V ~ 50/60Hz
Remote Control Batteries:	2x AAA (not supplied)
Soundbar Rated Power:	15W+15W
Subwoofer Rated Power:	30W
Input signal source:	Optical, AUX terminal, Bluetooth, HD/ARC
Dimensions:	600 x 60 x 60mm
Accessories:	Power cable, AUX cable, Remote control



Ace Supply Co Ltd.,
Suite GA, Marsland House
Marsland Road, Sale M33 3AQ

For Product Support:
E: support@dmdcollective.co.uk
T: +44 (0)161 447 8597

EU Regd. Address: Ace Supply Co (Europe) Ltd.,
25 Herbert Place, Dublin 2, D02 A098
Republic of Ireland

www.dmdcollective.co.uk