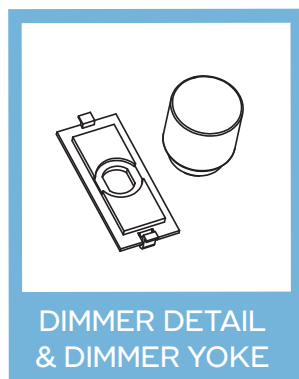
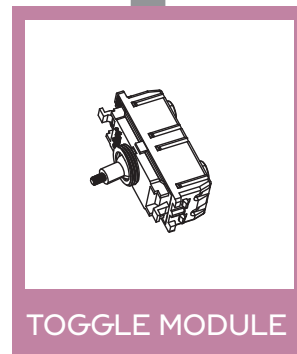
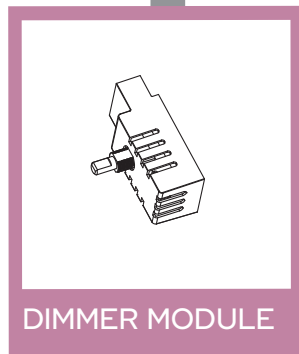
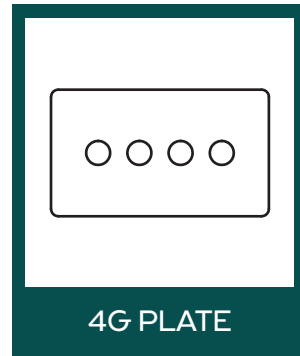


plank

HARDWARE

SWITCHES & SOCKETS



[Youtube.com/watch?v=UY03TjguFek](https://www.youtube.com/watch?v=UY03TjguFek)

For safe installation, follow local Building Regulations. If in any doubt, consult a registered electrician.

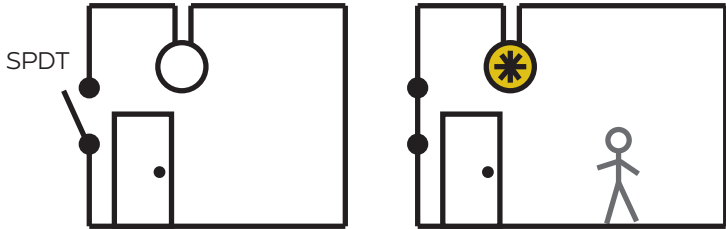
plank

HARDWARE

How do I know what type of switch you will need?

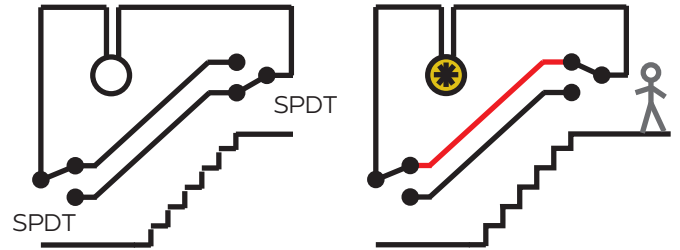
1 way switch

(Use our standard SPDT switch)

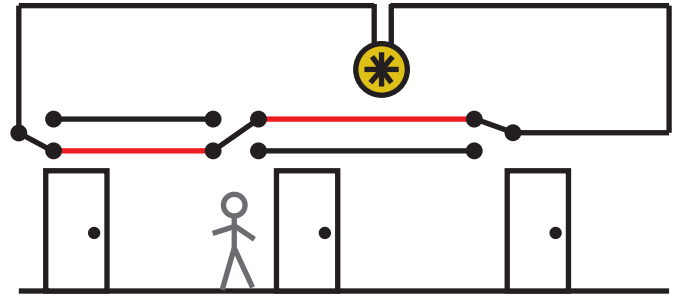
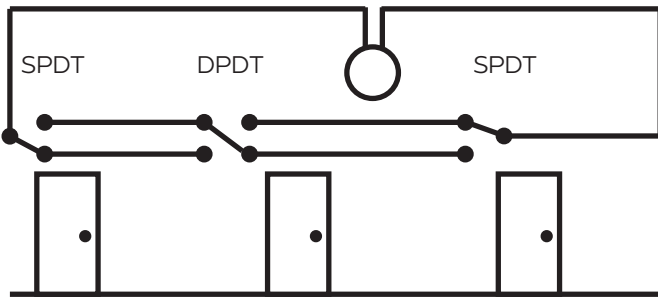


2 way switch

(Use our standard SPDT switch)



Intermediate (Use our standard DPDT switch)



Introduction

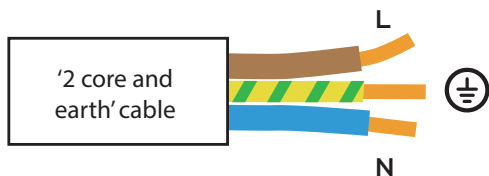
In the UK, wiring regulations say which colours should be used for covering wires in new electrical work. These rules changed between March 31, 2004, and March 31, 2006. They started phasing out the old colours and introduced new colours. The overriding aim of this change was to bring the UK more closely in line with Europe.

Old colours- not to be used after 31st march 2006



⊕ EARTH
L LIVE
N NEUTRAL

New colours- to be used from 31st march 2004



If your house was built before March 2004, the wires might be different colours than what they use now.

These changes in colours can be confusing. For example:

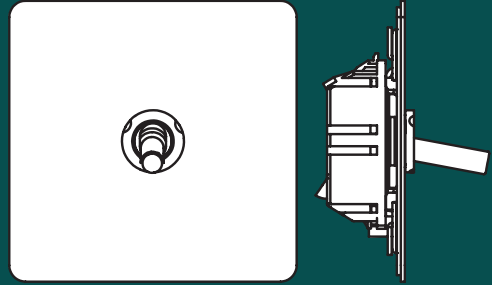
- In the old wiring, blue might have been a live wire, but now it's for neutral.
- Black used to be neutral, but now it's live.
- It's important to seek a professional electrician's help. When connecting old wires to new ones, make sure it's done carefully and get the right wires together before turning the power back on. If you're not sure, ask an electrician to help you. We don't recommend DIY enthusiasts to carry out electrical work.

Recycling services for end-of-life electrical products should be offered by your local authority.
Recycling services for metal faceplates may also be available in your locality.

plank

HARDWARE

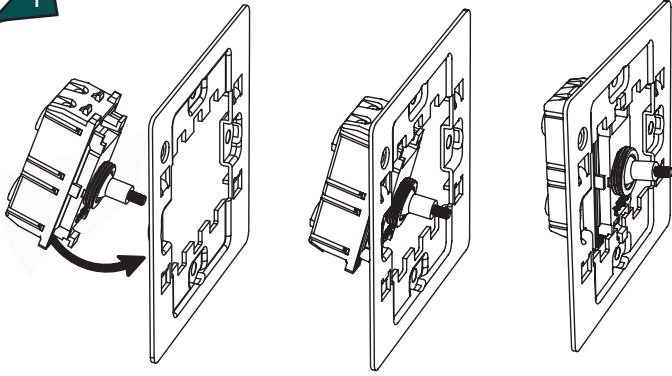
TOGGLE INSTALLATION GUIDE



WARNING:
Unauthorised wire repairs may be illegal. Check local regulations and use a licensed electrician.

Do not apply products with metal faceplates directly to freshly plastered or damp surfaces as product may tarnish. If in doubt, use polythene as a temporary gasket to protect the product. Do not use masking tape on metal faceplates.

1



For safe installation, follow local Building Regulations. If in any doubt, consult a registered electrician.

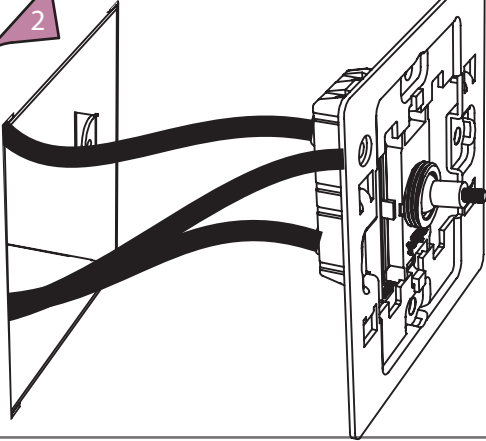


BEFORE STARTING ANY WORK, IT IS CRUCIAL TO ISOLATE THE MAINS POWER SUPPLY. THIS CAN BE DONE BY EITHER REMOVING THE FUSE BOX OR SWITCHING OFF THE CIRCUIT BREAKER.

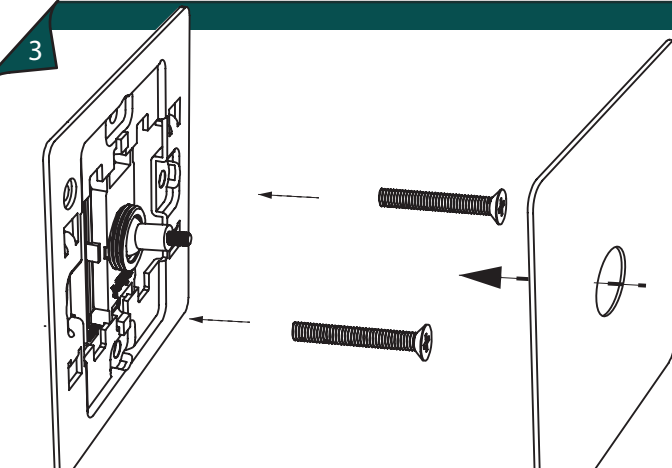


LOOK AT OUR WIRING GUIDE

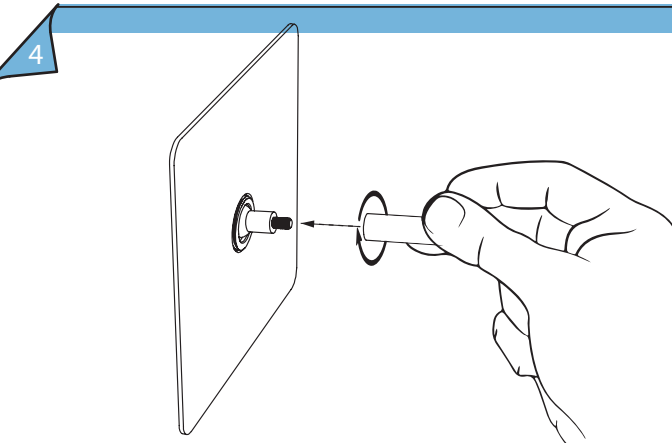
2



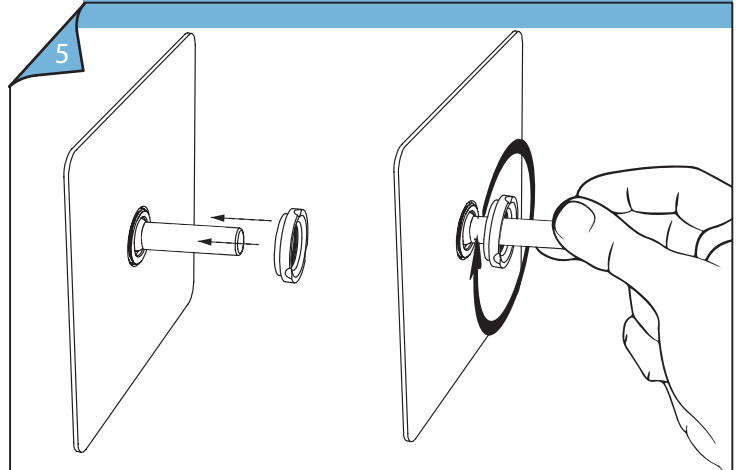
3



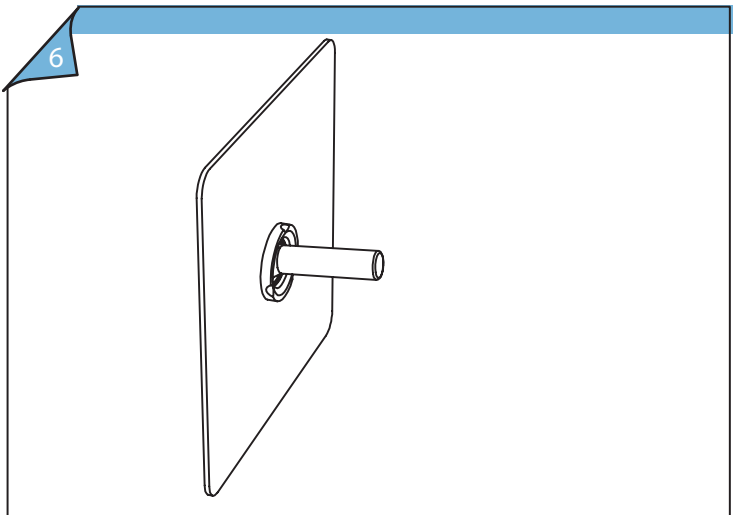
4



5



6



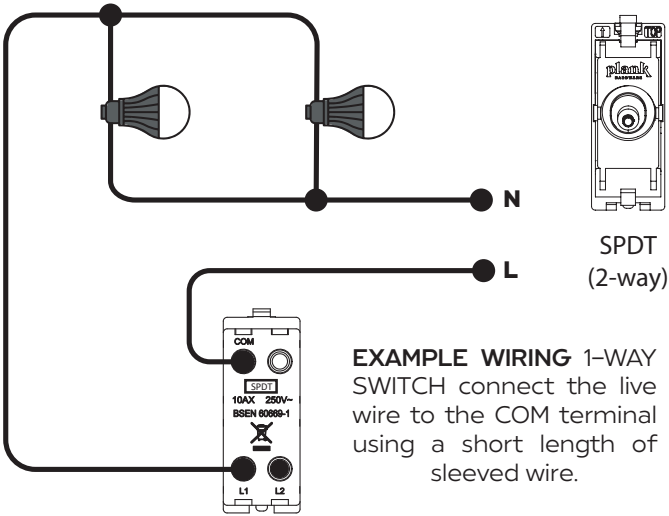
For safe installation, follow local Building Regulations. If in any doubt, consult a registered electrician.



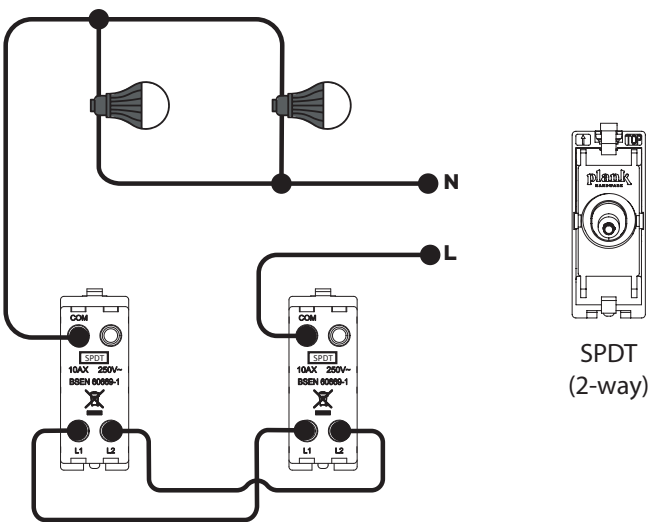
BEFORE STARTING ANY WORK, IT IS CRUCIAL TO ISOLATE THE MAINS POWER SUPPLY. THIS CAN BE DONE BY EITHER REMOVING THE FUSE BOX OR SWITCHING OFF THE CIRCUIT BREAKER.



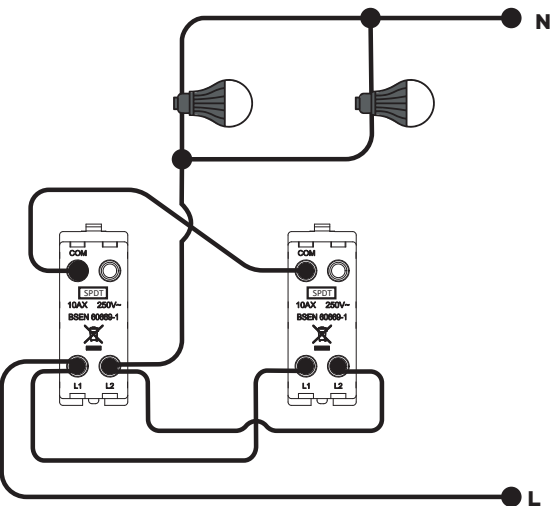
HOW TO SWITCH LIGHTS FROM 1 LOCATION



HOW TO SWITCH LIGHTS FROM 2 LOCATION



EXAMPLE WIRING - Switch lights from 2 Locations. There are two commonly used wiring methods for 2-way circuits. Both methods are equally effective and can be used.



plank

HARDWARE

TOGGLE MODULE WIRING GUIDE



INT (Intermediate)



SPDT (2-way)

Product Description : Plank-modular Toggle Switch modules

Switches : SPDT (AG81T/2) - 10AX 2 way switch
INT (AG88T) - 10AX Intermediate switch

Product Specification : 250Vac 50Hz supply
Current Rating : 10AX (inductive loads) / 10A
Terminal Size : 3.6mm
Back Box Depth : 25 mm (Minimum) depth



Conformance:

BS EN 60669-1:2018, IEC 20669-1:2017 RoHS Directive ; 2011/65/EU and Amending Annex 2015/863/EU LVD Directive ; 2014/35/EU Warranty Period : 10 years
Intended Application : For indoor use only, fits Plank hardware modular switches plates. Install by a qualified electrician as per local IEE standards. Avoid overloading.

HOW TO SWITCH LIGHTS FROM 3+ LOCATION

EXAMPLE WIRING HOW TO SWITCH LIGHTS FROM 3 OR MORE LOCATIONS USING PLANK HARDWARE 2-WAY AND INTERMEDIATE SWITCHES.

