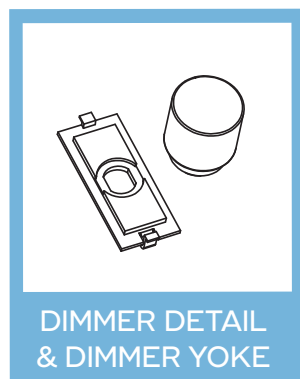
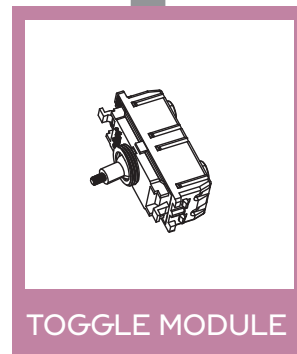
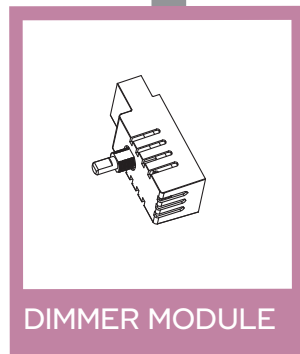
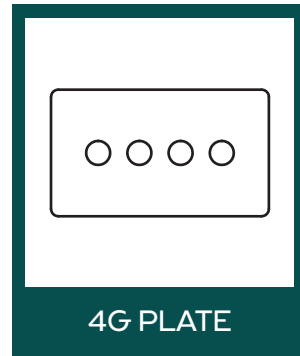


plank

HARDWARE

SWITCHES & SOCKETS



[Youtube.com/watch?v=UY03TjguFek](https://www.youtube.com/watch?v=UY03TjguFek)

For safe installation, follow local Building Regulations. If in any doubt, consult a registered electrician.

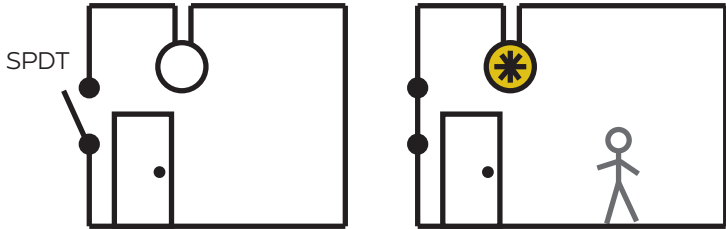
plank

HARDWARE

How do I know what type of switch you will need?

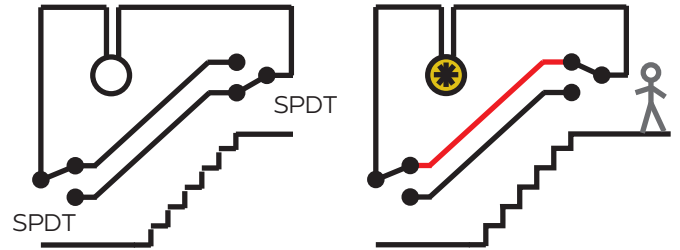
1 way switch

(Use our standard SPDT switch)

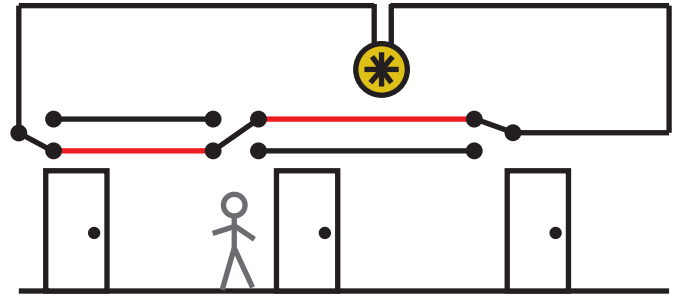
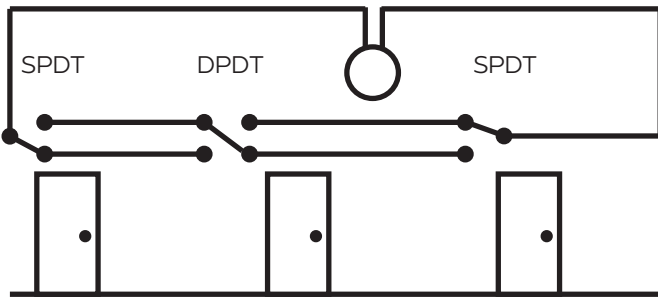


2 way switch

(Use our standard SPDT switch)



Intermediate (Use our standard DPDT switch)



Introduction

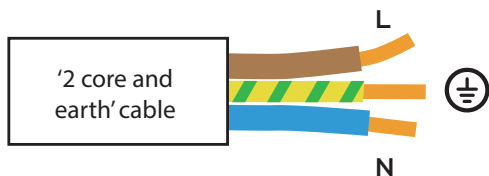
In the UK, wiring regulations say which colours should be used for covering wires in new electrical work. These rules changed between March 31, 2004, and March 31, 2006. They started phasing out the old colours and introduced new colours. The overriding aim of this change was to bring the UK more closely in line with Europe.

Old colours- not to be used after 31st march 2006



⊕ EARTH
L LIVE
N NEUTRAL

New colours- to be used from 31st march 2004



If your house was built before March 2004, the wires might be different colours than what they use now.

These changes in colours can be confusing. For example:

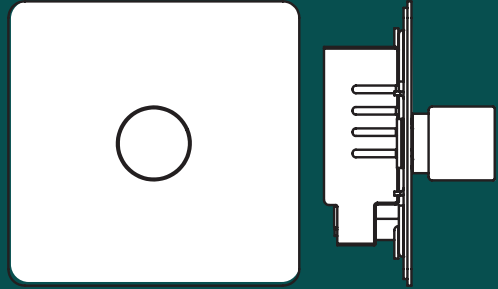
- In the old wiring, blue might have been a live wire, but now it's for neutral.
- Black used to be neutral, but now it's live.
- It's important to seek a professional electrician's help. When connecting old wires to new ones, make sure it's done carefully and get the right wires together before turning the power back on. If you're not sure, ask an electrician to help you. We don't recommend DIY enthusiasts to carry out electrical work.

Recycling services for end-of-life electrical products should be offered by your local authority.
Recycling services for metal faceplates may also be available in your locality.

plank

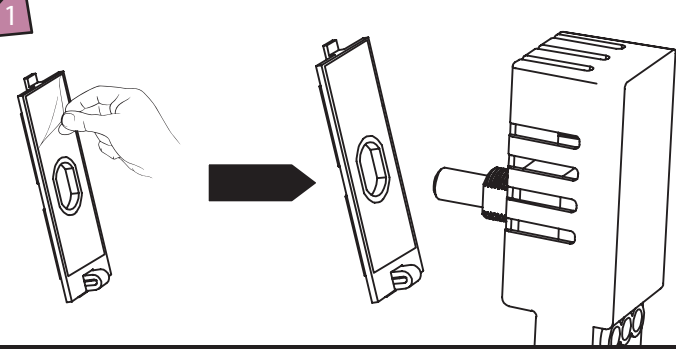
HARDWARE

DIMMER INSTALLATION GUIDE

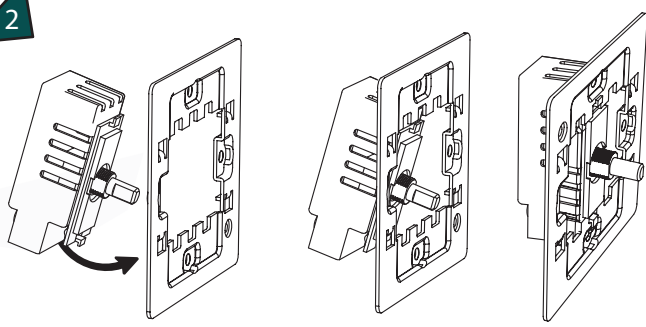


WARNING:
Unauthorised wire repairs may be illegal. Check local regulations and use a licensed electrician.

Do not apply products with metal faceplates directly to freshly plastered or damp surfaces as product may tarnish. If in doubt, use polythene as a temporary gasket to protect the product. Do not use masking tape on metal faceplates.



1
Dimmer yoke located in the details box.



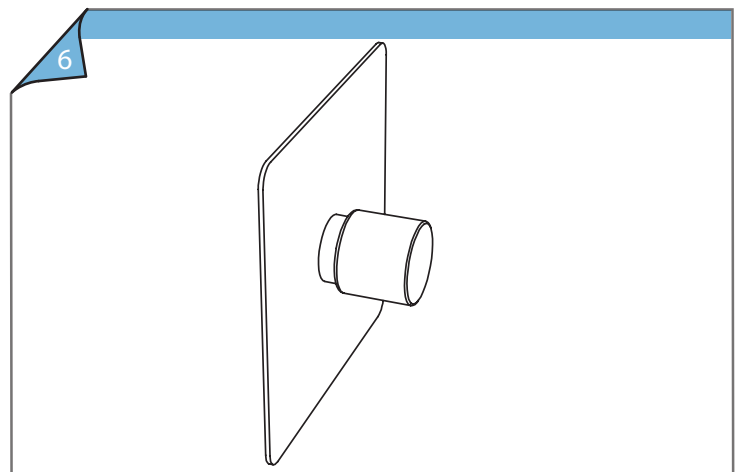
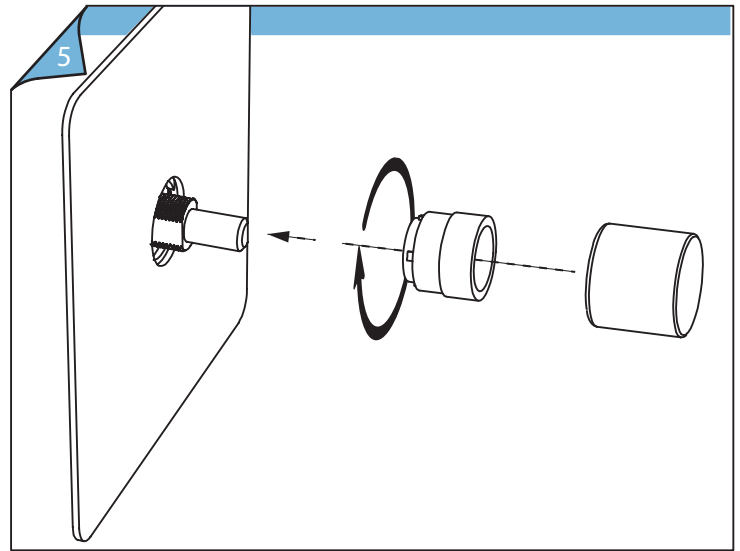
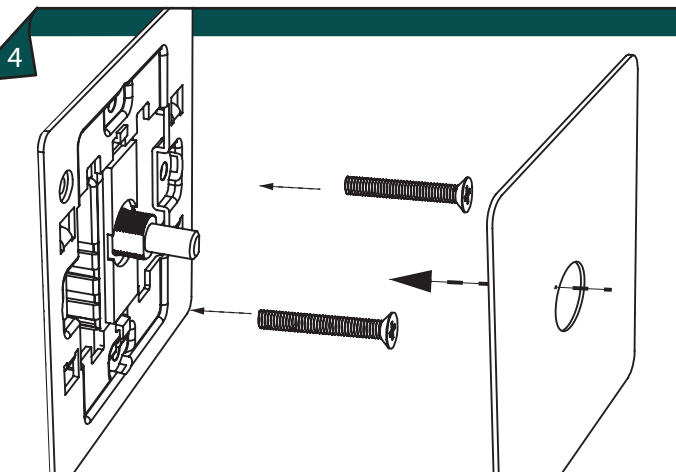
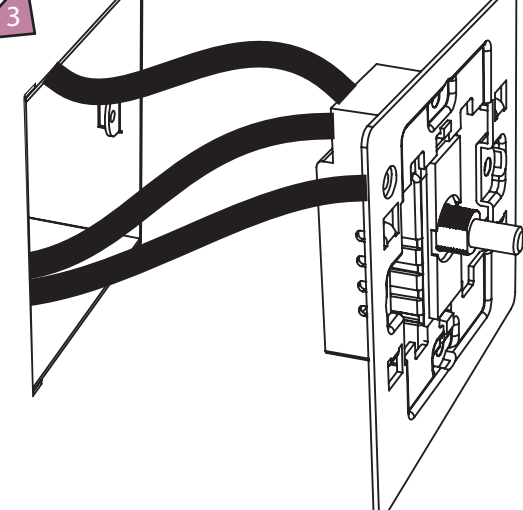
2
For safe installation, follow local Building Regulations. If in any doubt, consult a registered electrician.



BEFORE STARTING ANY WORK, IT IS CRUCIAL TO ISOLATE THE MAINS POWER SUPPLY. THIS CAN BE DONE BY EITHER REMOVING THE FUSE BOX OR SWITCHING OFF THE CIRCUIT BREAKER.





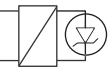



LOOK AT OUR WIRING GUIDE



For safe installation, follow local Building Regulations. If in any doubt, consult a registered electrician.

ELECTRICAL SPECIFICATIONS

This dimmer must be protected by a compatible circuit breaker rated 6A to 16A.

Parameter	Value
Supply voltage & Frequency	220-240V ~ 50Hz
Rating	10-350W: incandescent lamps, high voltage halogen lamps and electronic step-down converter for extra low-voltage incandescent lamps. 3-250W: dimmable LED lamps
Dimming Technology 	Auto Detect Trailing / Leading edge driven control Also, Leading edge dimming mode can be set by user manually.
Compatible loads for TEauto mode	  Dimmable LED lighting with compatible Electronic Transformers
	 Incandescent lighting, MV Halogen lamps
	 LV Halogen Lighting with electronic transformers
NOTE : Only Leading Edge (LE) mode is suitable for IRON-CORE transformers.	 LV Halogen Lighting with Iron-core transformers
Operating Temperature	0° - 45°C
Operating Humidity	10 - 90% R.H.
Mounting Centres	85mm UK Pattern Plate

THERMAL OVERLOAD PROTECTION:

This heat-sensitive dimmer is smart. If it gets hotter than 110°C, it will turn itself off to stay safe. When it cools down to below 75°C, it will turn itself back on. If you find it keeps turning itself off, try using fewer lights with the dimmer.

SHORT CIRCUIT PROTECTION:

If something goes wrong and there's a short circuit, the dimmer will take a 5-second break and then start working again. If it keeps happening, please contact a qualified electrician for help.

IMPORTANT TIP:

- When using a dimmer with **IRON-CORE** transformers: Set your dimmer to **LEADING EDGE (LE)** mode. (Check the lamps manual to confirm the transformer type).
- You can use multiple lights with one dimmer. Please ensure that the total wattage of the lights does not exceed the maximum limit.
- If the lights behave strangely (e.g. flickering), it may be because the dimmer is cold. Wait for the lights and dimmer to warm up.
- If the lights are unstable, try switching between Trailing Edge (TE) and Leading Edge (LE).

MULTI-GANG DERATING

When you've got several dimmer switches on the same plate, the heat from one can affect the others and lower their performance. Be mindful of how many light bulbs you're putting on each dimmer. The chart below offers guidance for the safe load per dimmer:

Number of Dimmers	Maximum Load per Dimmer
x1	250W LED / 350W INC
x2	200W LED / 300W INC
x3	150W LED / 250W INC
x4	120W LED / 200W INC

Contact Us

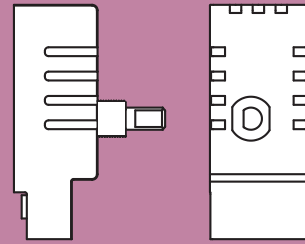
talk@plankhardware.com

Unit C1, Leyton Industrial Village, London, E10 7QP

plank

HARDWARE

DRT UNIVERSAL LED DIMMER INSTALLATION GUIDE



ATE-DRT250SUK
(Universal led dimmer)

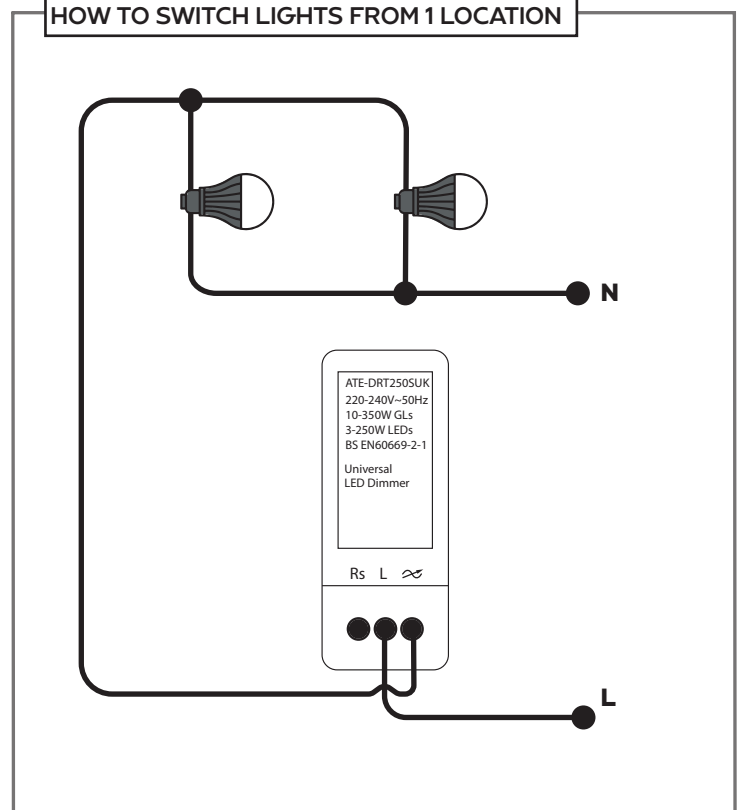
Switches type: Universal led dimmer
Specification : 220-240Vac 50Hz supply
Rating : 10-350W: incandescent lamps,
3-250W: dimmable LED lamps
Terminal Size : 3.2mm
Back Box Depth : 35 mm (Minimum) depth



BEFORE STARTING ANY WORK, IT IS CRUCIAL TO ISOLATE THE MAINS POWER SUPPLY. THIS CAN BE DONE BY EITHER REMOVING THE FUSE BOX OR SWITCHING OFF THE CIRCUIT BREAKER.

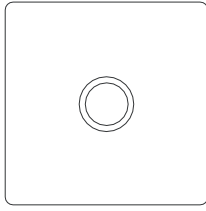


HOW TO SWITCH LIGHTS FROM 1 LOCATION

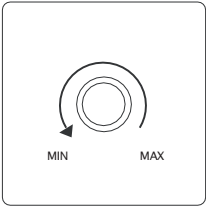


MINIMUM BRIGHTNESS LEVEL SETTING

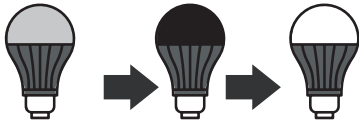
How to set the minimum bright level:



When the Light is turned **ON**, hold down the "Dimmer Knob" for 3-5 seconds until the lamps reach half brightness.



Rotate the knob to program the minimum brightness levels. "Push Knob" once again, the lamp will return to maximum bright level, confirming and saving your desired setting.



Each step must be completed within 15 seconds; otherwise, the program will exit automatically without saving.

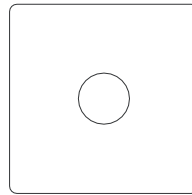
MODE SETTING

Change from Trailing Edge to Leading Edge:

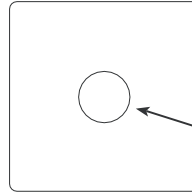


In order to view the LED indicator, you need to first remove the dimmer knob. The LED indicator colour is shown below.

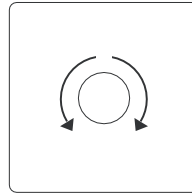
GREEN Light = TE auto mode
GREEN + RED Light = TE mode
RED Light = LE mode



When the lamp Turn **OFF** Pull to remove the dimmer knob to view the LED indicator.



Press and hold the "Push Knob" for 3-5 seconds until the LED indicator starts flashing.



Turn the knob left or right to select the desired mode Push once to save and exit.

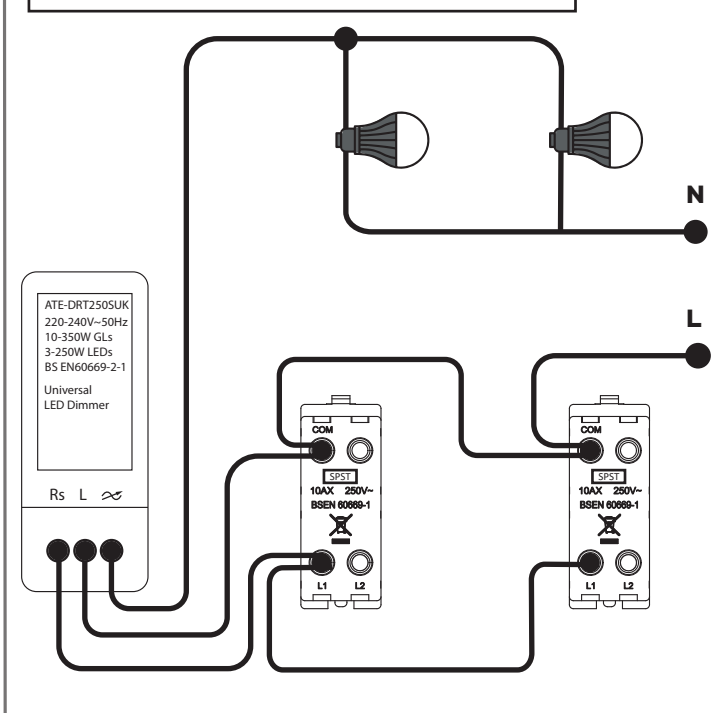
Now your ready: Press the knob to turn the lamp **ON** or **OFF**. Turn the knob right to make the light brighter and left to make it dimmer.

CONTROLLING LIGHTS FROM DIFFERENT LOCATIONS

With this setup, you can control your lights from up to 20 locations using Plank Hardware Retractive (**PUSH TO MAKE**) switches. Adjust the brightness by pressing and holding the toggle—hold once to increase, release, and hold again to decrease—or simply turn the lights on and off.

Also, it's important to connect the dimmer to the **LINE** side of the load. Never connect two or more dimmers to control the same lights from different places.

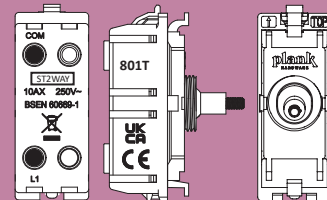
HOW TO SWITCH LIGHTS FROM 2+ LOCATION



plank

HARDWARE

PUSH TO MAKE SWITCH INSTALLATION GUIDE



ST1WAY
(PUSH TO MAKE)

Product Description : Plank-moduler Toggle Switch modules

Switches : ST1WAY (AG801T) - 10AX Push 2 make switch

Product Specification : 250Vac 50Hz supply
Current Rating : 10AX (inductive loads) / 10A
Terminal Size : 3.6mm
Cable Size : 4 x 1.5mm² or 2 x 2.5mm²
Back Box Depth : 25 mm (Minimum) depth

