

# Outdoor Privacy Screen

**nicoman**  
Whatever the Weather

## Assembly Instruction

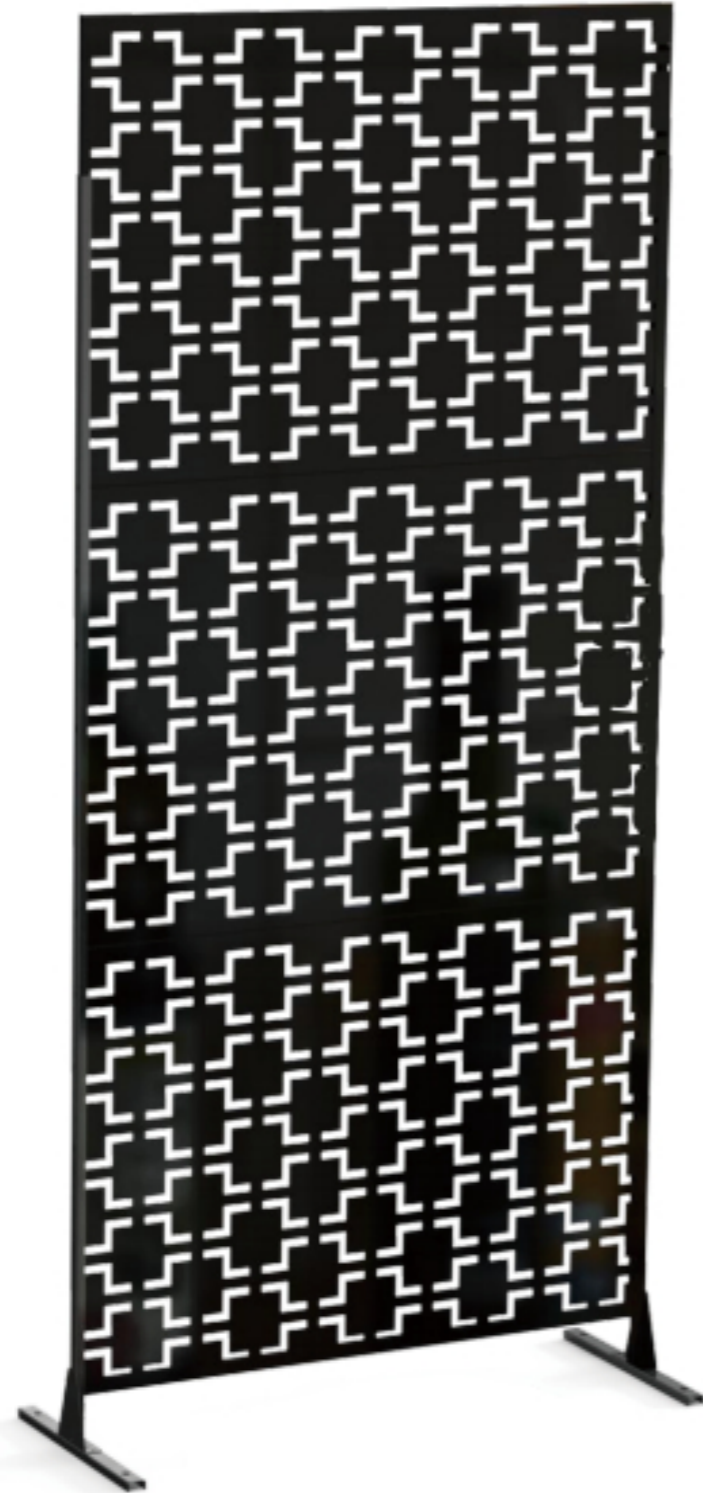
BCC-HA-016

BCC-HA-017



# Other Patterns

BCC-HA-9  
BCC-HA-10



BCC-HA-7  
BCC-HA-8  
BCC-HA-20

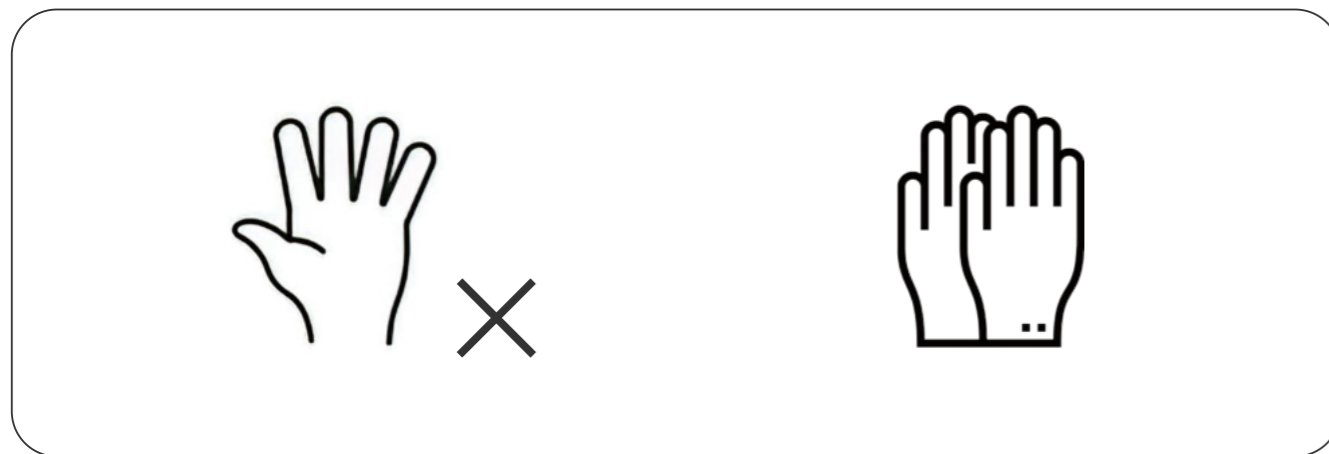




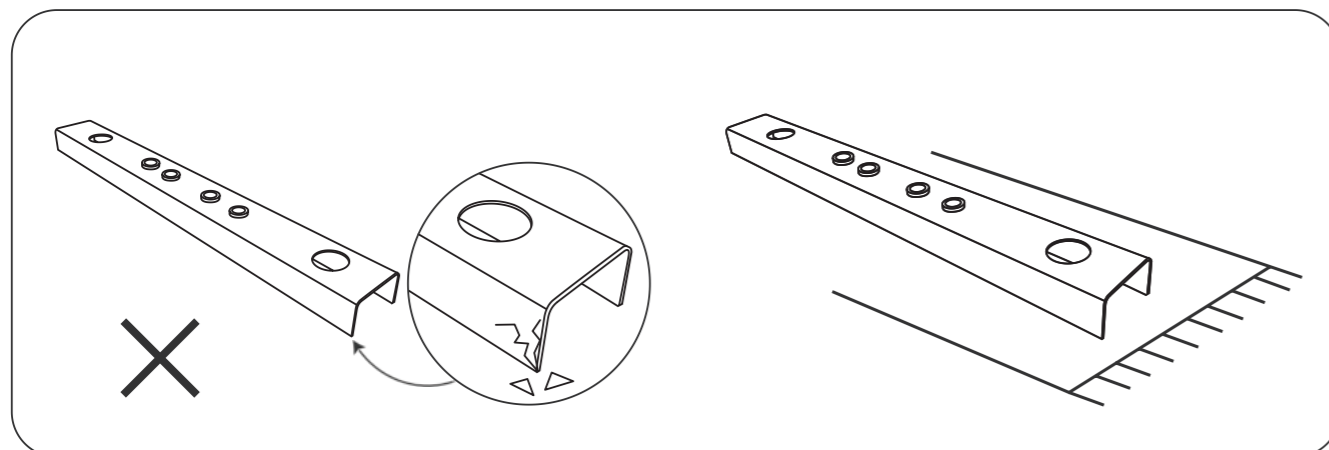
If the privacy screen will be used in a strong wind area, we highly recommend you using four Hex-Head Sleeve Anchors to fix the privacy screen on solid ground.

Before assembling, we recommend:

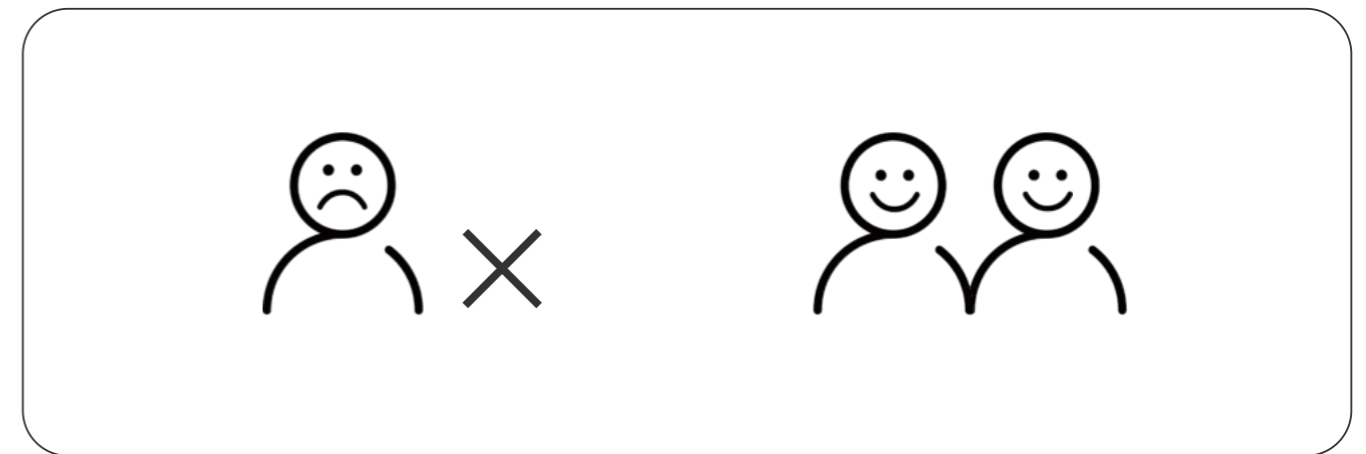
1. Wear Gloves.



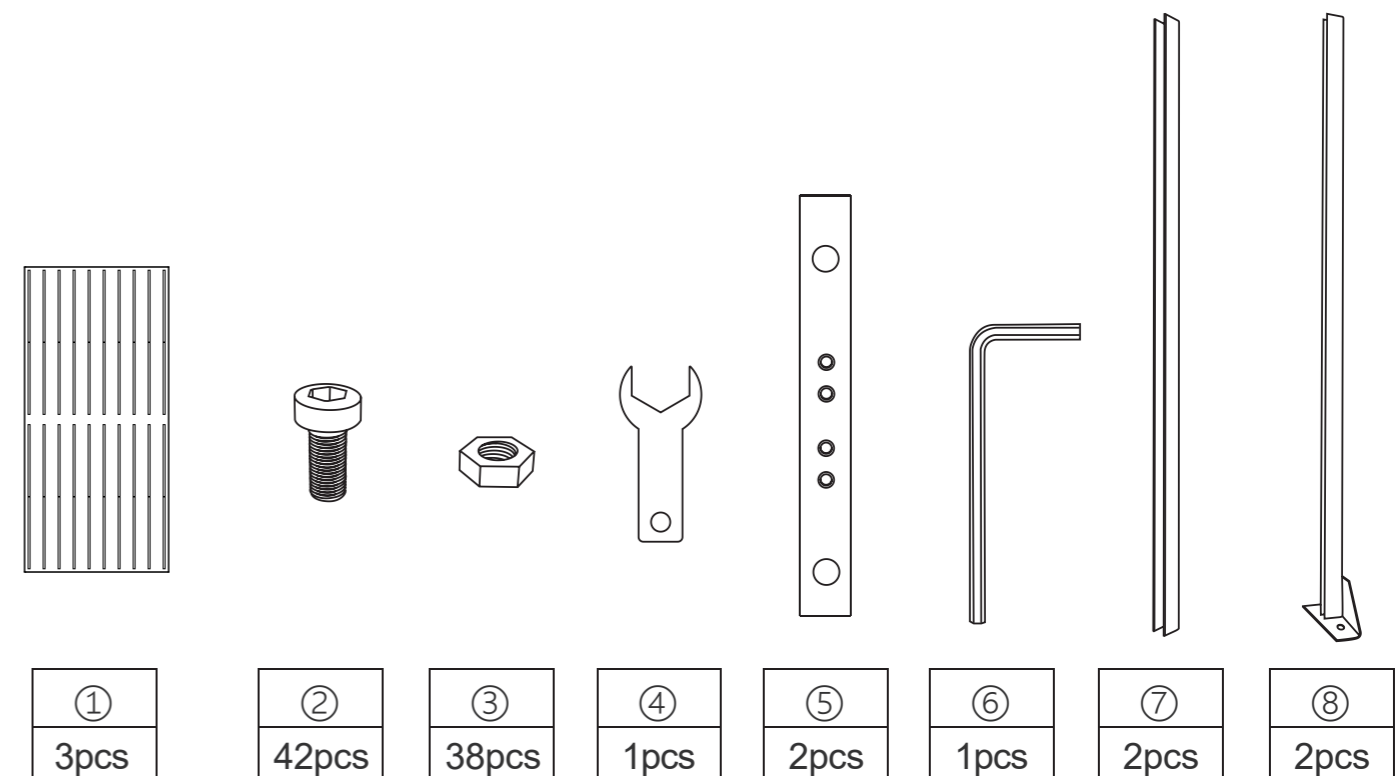
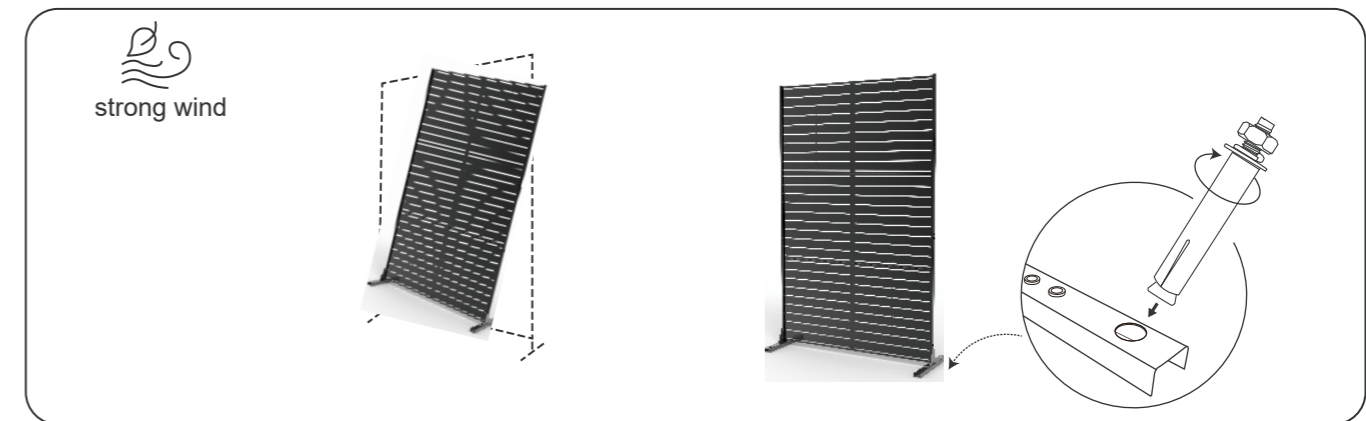
2. Don't assemble the privacy screen on a Hard Surface.



3. Ask for a Helping Hand.

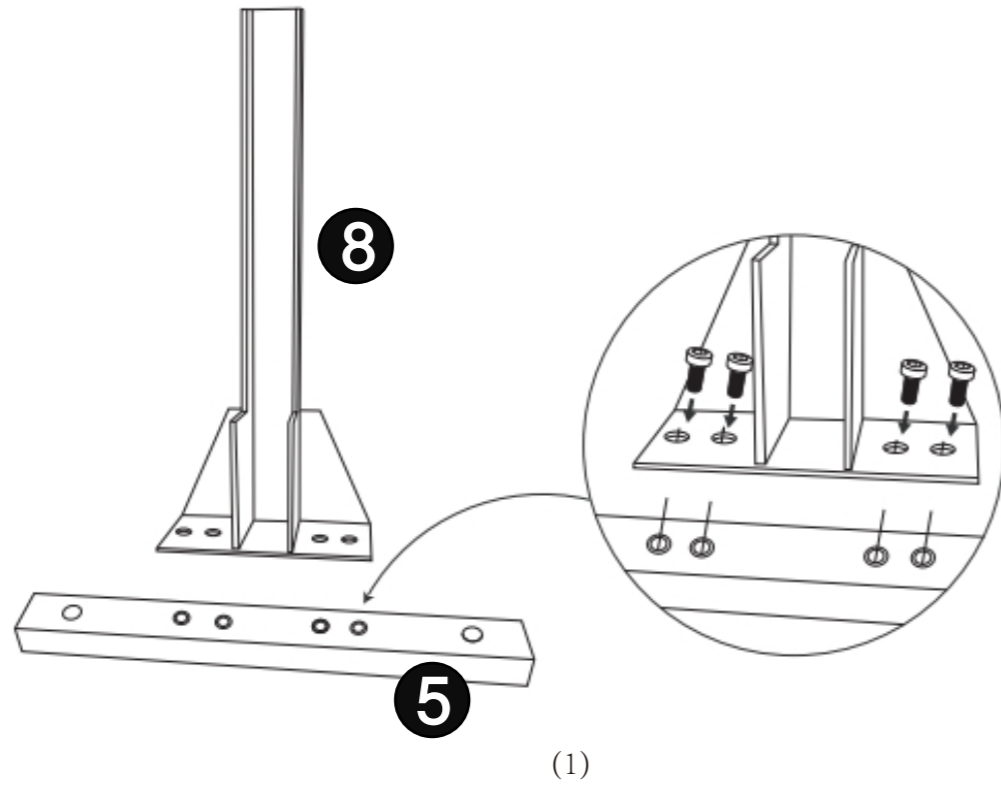


4. Use Hex-Head Sleeve Anchors to fix the privacy screen on solid ground if necessary.

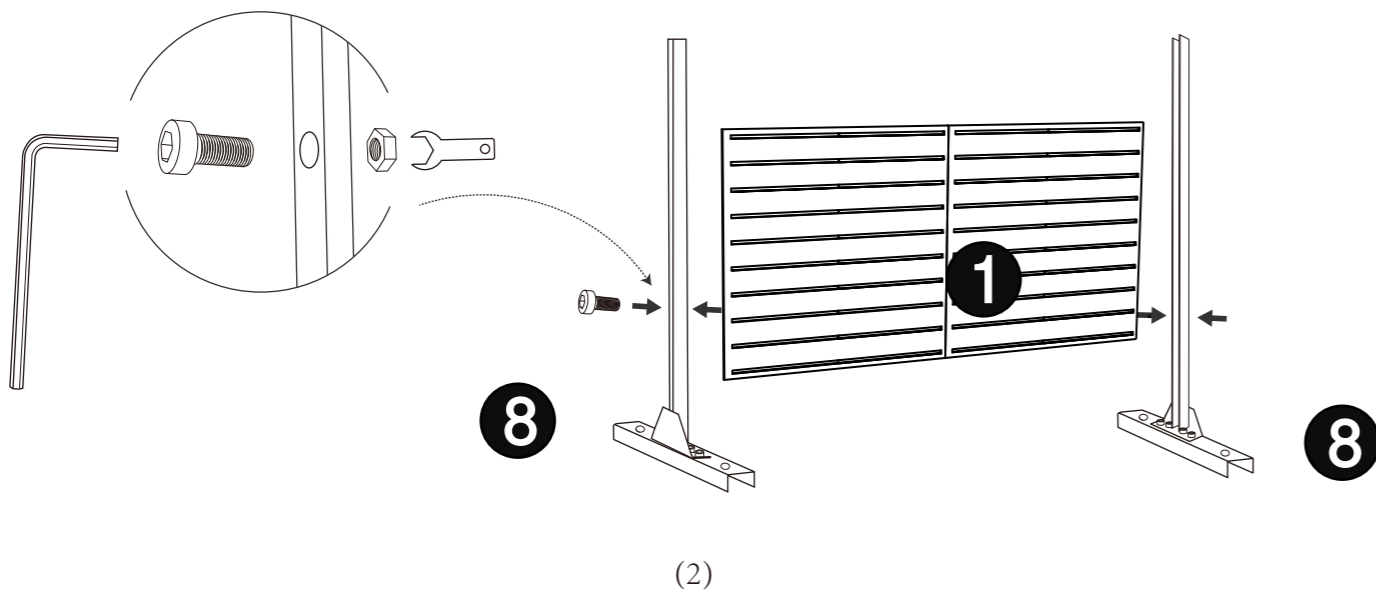


# Horizontally Install

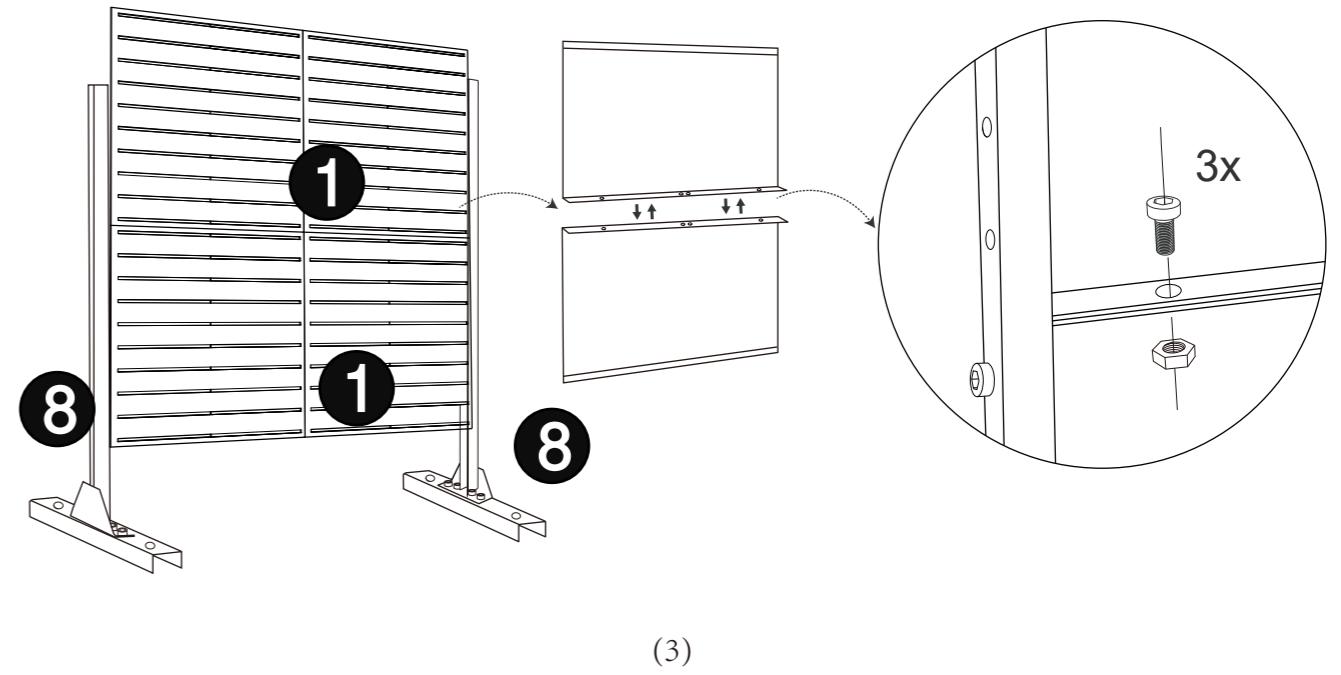
1. Place accessory 8 and accessory 5 as shown in the figure and install and fix them with screw 2. Repeat this step twice



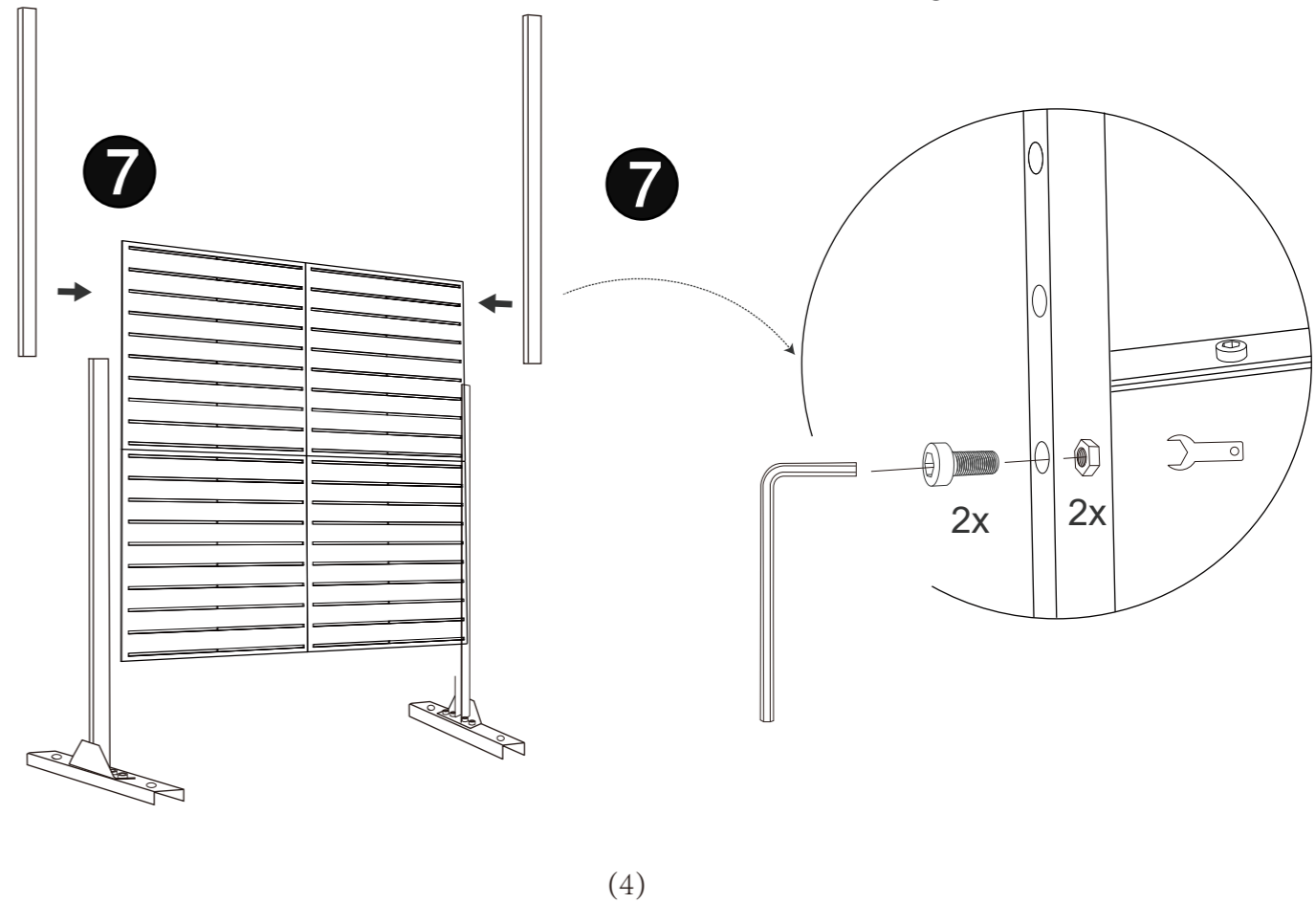
2. Place accessory 1 alongside the two sides of the components assembled in the previous step as shown in the figure, and install and fix it using screws 2 and nuts 3.



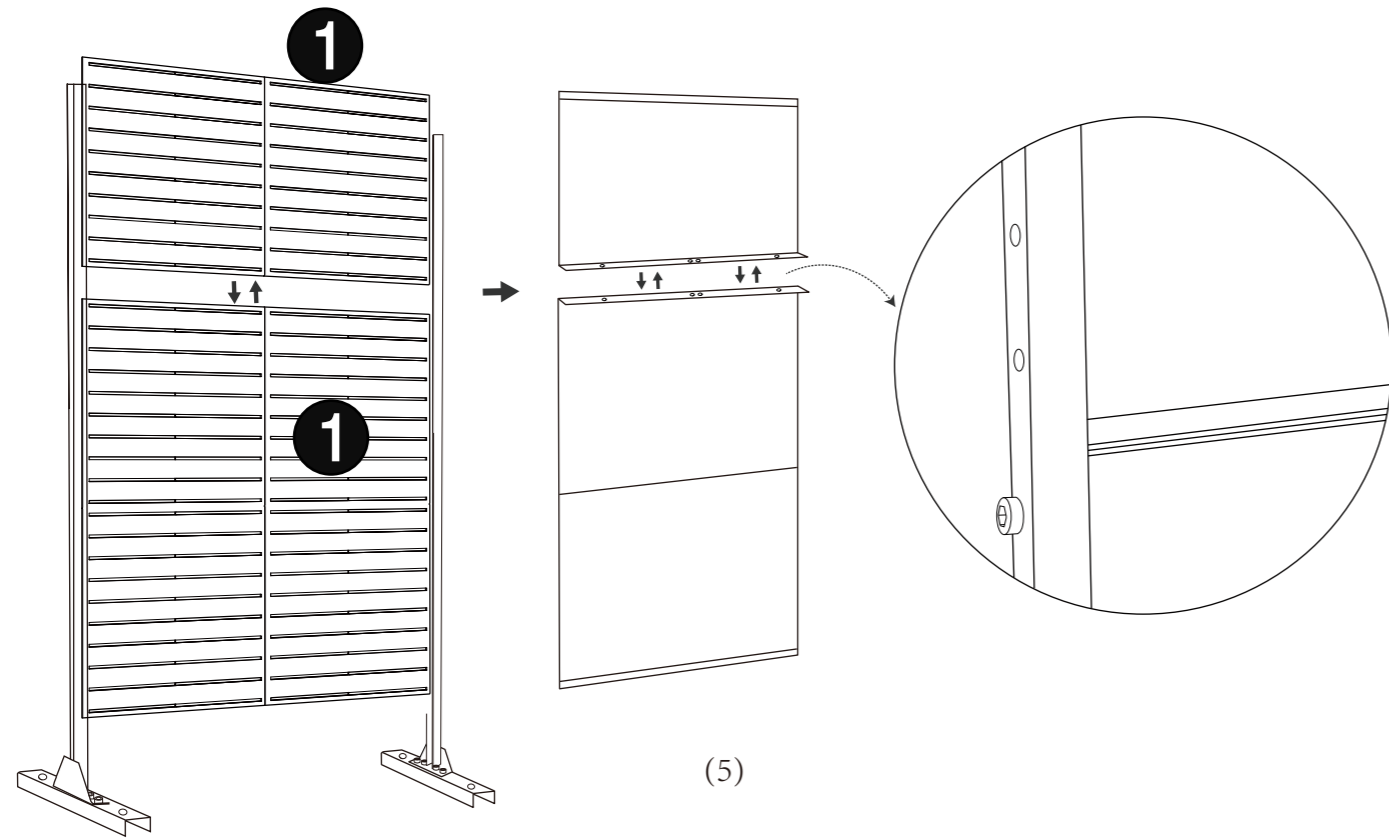
3. Install and fix accessory 1 as shown in the figure to the left and right sides of accessory 8, as well as the lower side accessory 1, using screws 2 and nuts 3.



4. Fix accessory 7 as shown in the figure on both sides of accessory 1, and continue to install and fix it with screws 2 and nuts 3.

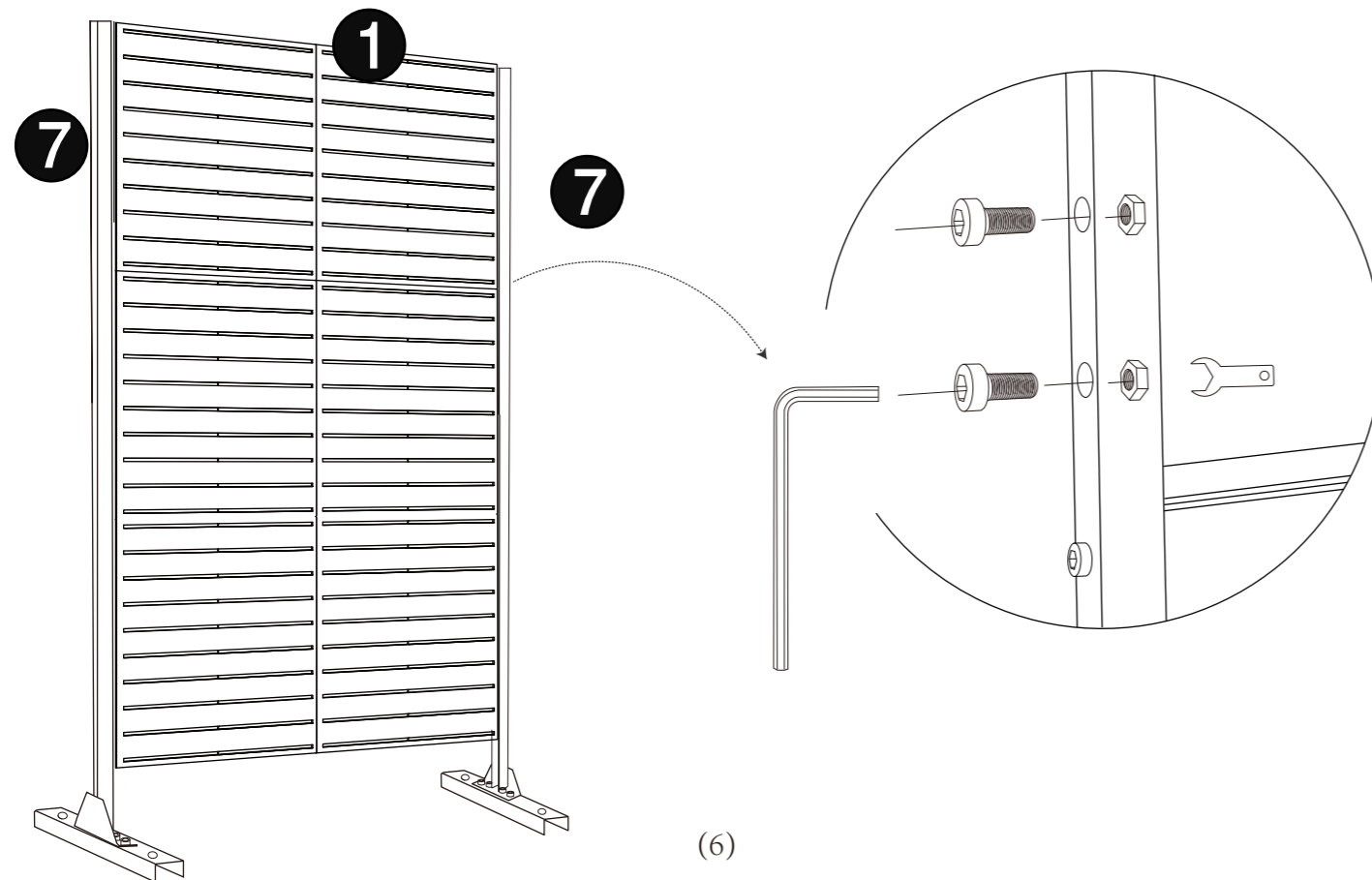


5. Install and fix accessory 1 as shown in the figure with accessory 1 on the lower side using screws 2 and nuts 3.



(5)

6. Install and fix accessory 1 as shown in the figure to both sides of accessory 7 using screws 2 and nuts 3.



(6)

