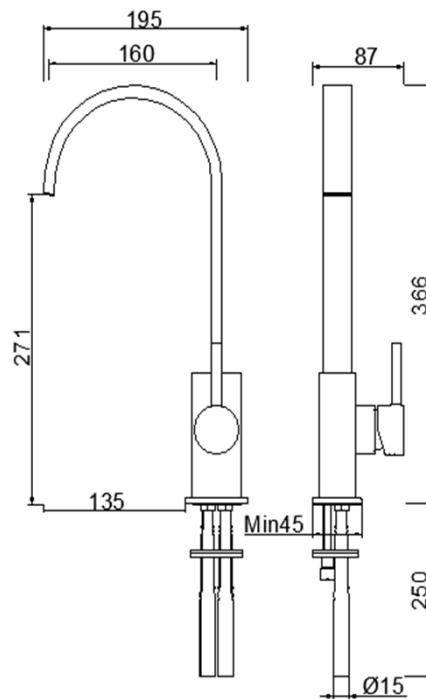


PRODUCT SPECIFICATION

Product Code: 90070
 Finish: Chrome
 Description: Signet Mono Sink Mixer Chrome
 Inlet Connections: 15mm compression inlets
 Construction: Body: Brass
 Handle: Zinc
 Cartridge: 35mm WanHai Ceramic Cartridge
 Gross Weight (kg): 1.5
 WRAS Approved: All materials and components contact to water comply with WRAS certification



ADDITIONAL INFORMATION

- Chrome finish
- 15mm compression inlets
- 10 year guarantee*

WORKING PRESSURES (bar)		
Min Pressure	Max Pressure	Best Performance
0.4	5.0	0.5

FLOW RATES (litres per minute)		
0.5 Bar	1 Bar	3 Bar
7.62	10.82	19.20

* Our products are covered by a 10 year guarantee (subject to exclusions including finishes other than chrome) for full terms & conditions please visit our website www.tremercati.co.uk
 Products are supplied with full installation instructions and fixings. All measurements in mm and are nominal.