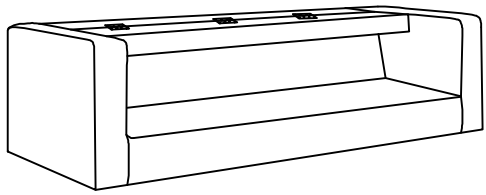


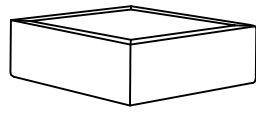
ASSEMBLY INSTRUCTION

A



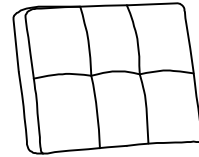
X1

B



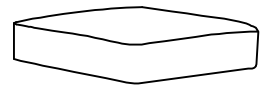
X1

C



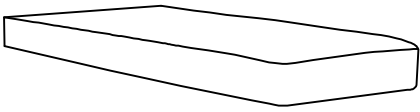
X3

D



X2

E



X1

F



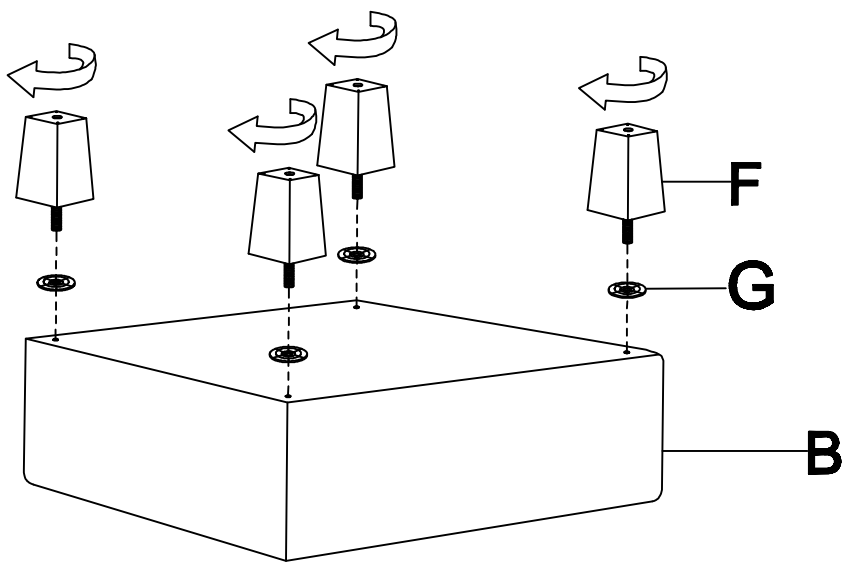
X8

G

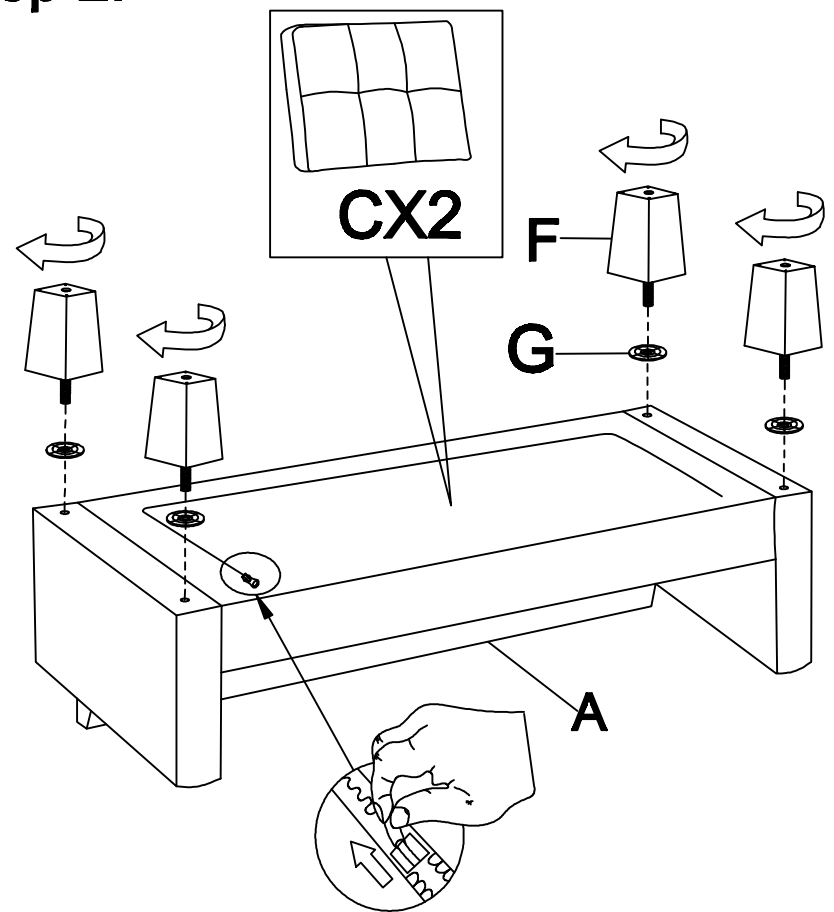


X8

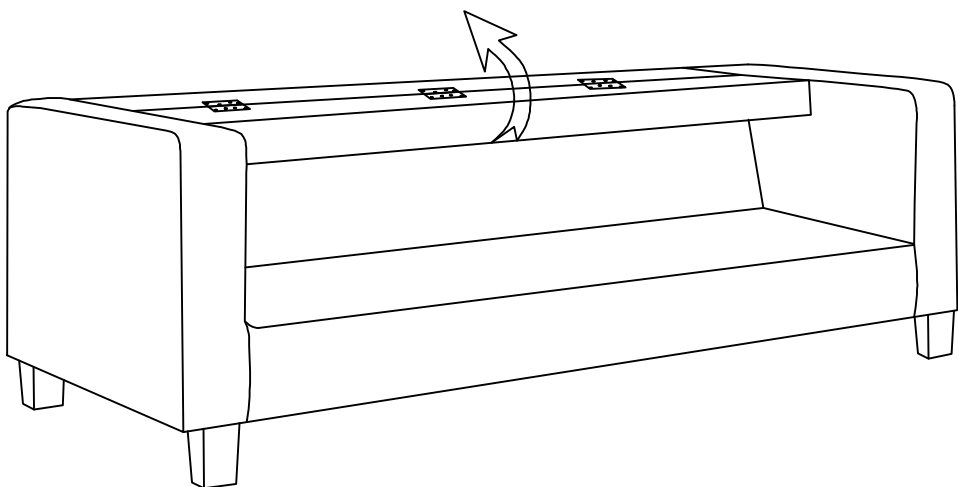
Step 1:



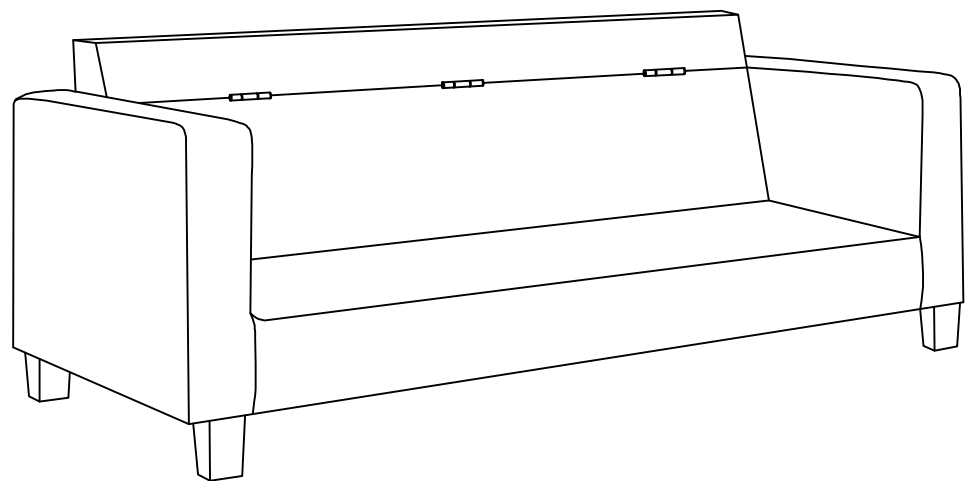
Step 2:



Step 3:

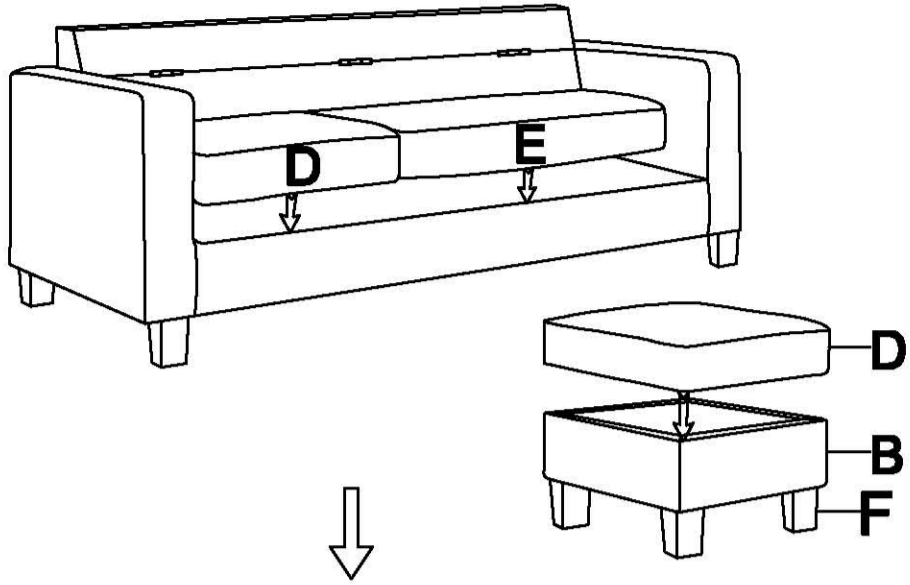


Step 4:

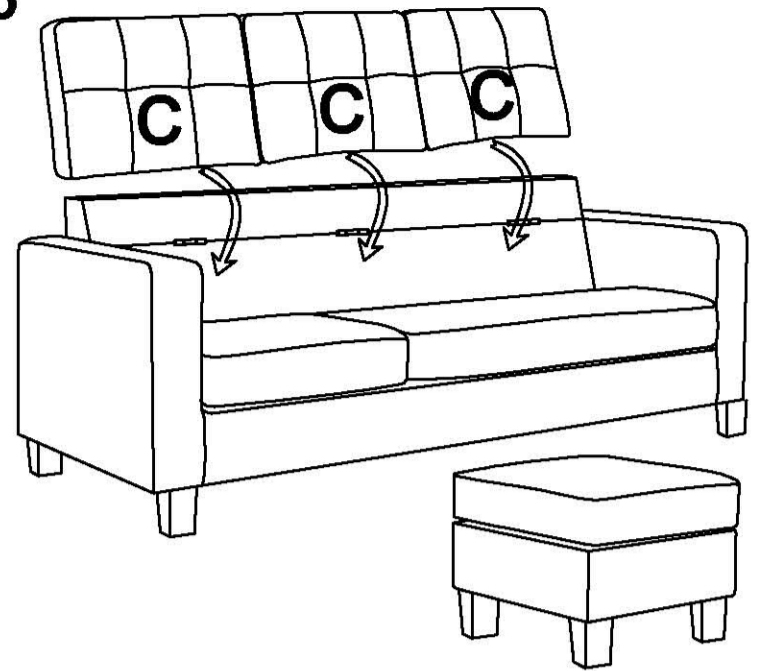


ASSEMBLY INSTRUCTION

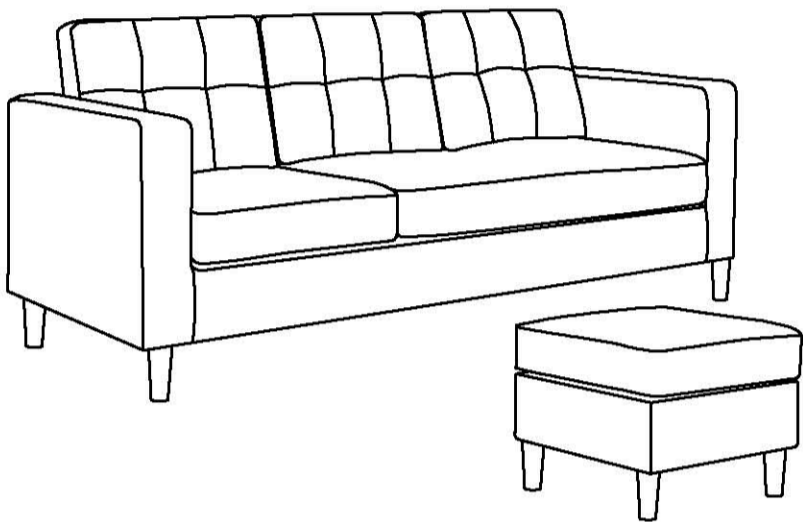
Step 5:



Step 6



Step 7:



OR

