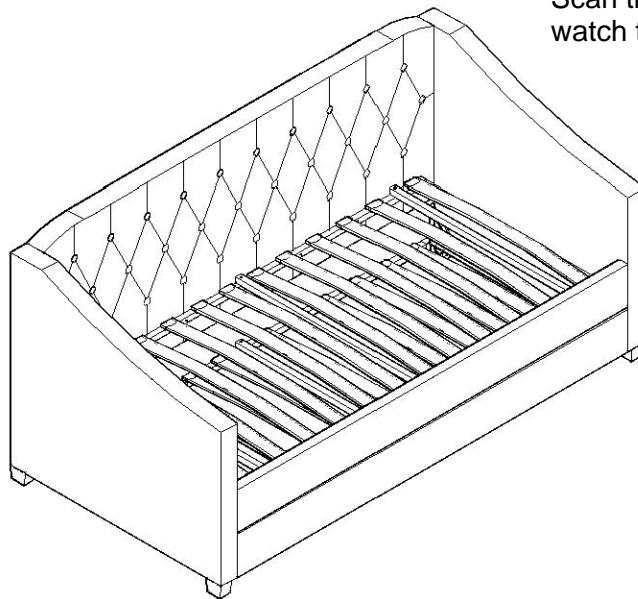
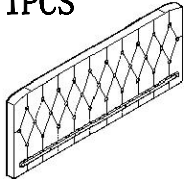
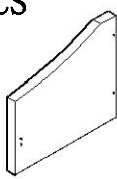
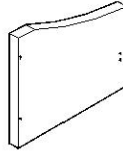
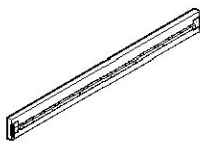
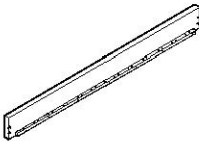
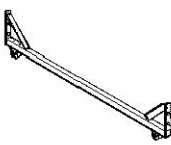
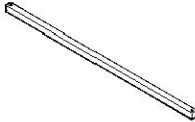


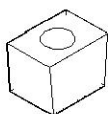
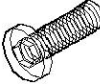




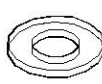
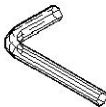
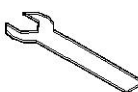


ASSEMBLY INSTRUCTIONS



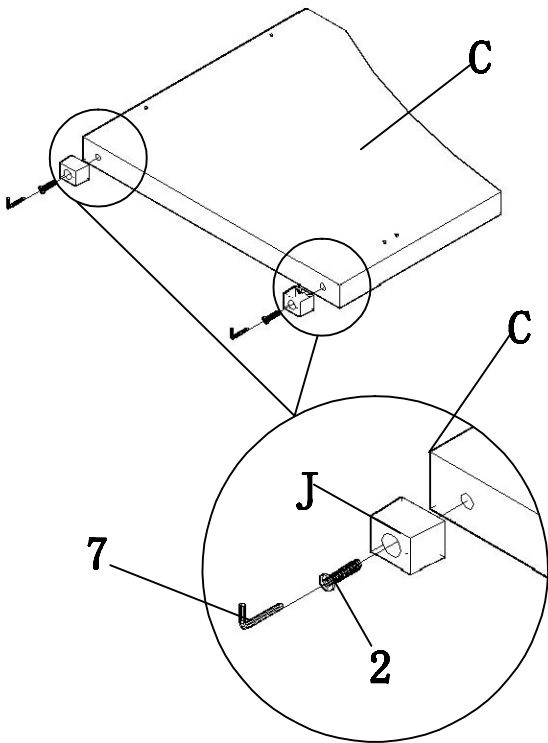
Scan this code , you can watch the assemble veido



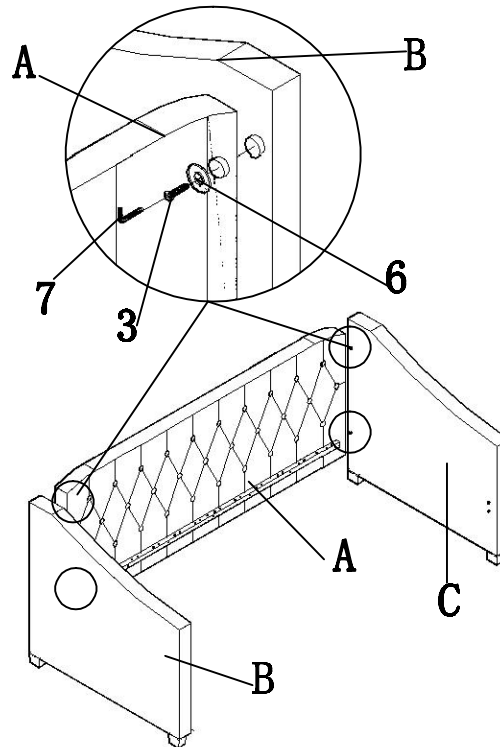
| | | | |
|---|---|--|---|
| <p>A. 1PCS</p>  | <p>B. 1PCS</p>  | <p>C. 1PCS</p>  | <p>D. 1PCS</p>  |
| <p>E. 2PCS</p>  | <p>F. 2PCS</p>  | <p>G. 4PCS</p>  | <p>H. 24PCS</p>  |
| <p>I. 48PCS</p>  | <p>J. 4PCS</p>  | <p>1. M8*20 12PCS</p>  | <p>2. M8*50 4PCS</p>  |
| <p>3. M8*40 4PCS</p>  | <p>4. M6*60 8PCS</p>  | <p>5. M6 8PCS</p>  | <p>6. M8 4PCS</p>  |
| <p>7.</p>  | <p>8.</p>  | | |

ASSEMBLY INSTRUCTIONS

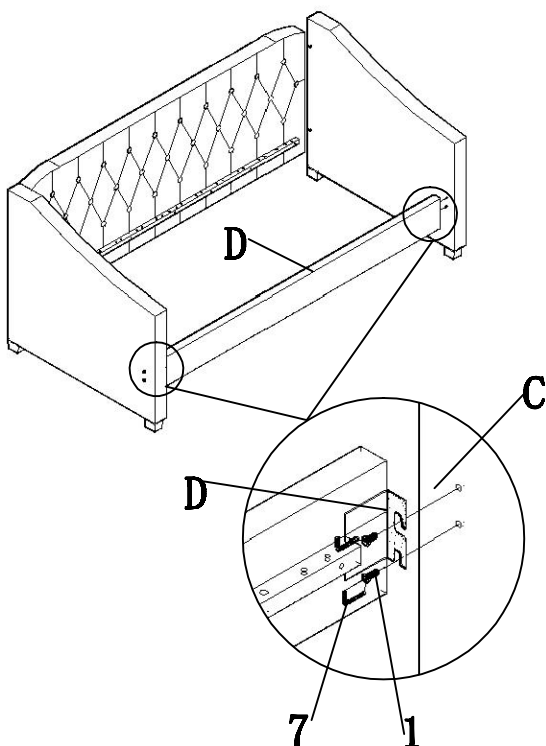
- 1** Assemble the feet parts J to the sideboards B and C ,using the bolts 2 and allen key 7 .



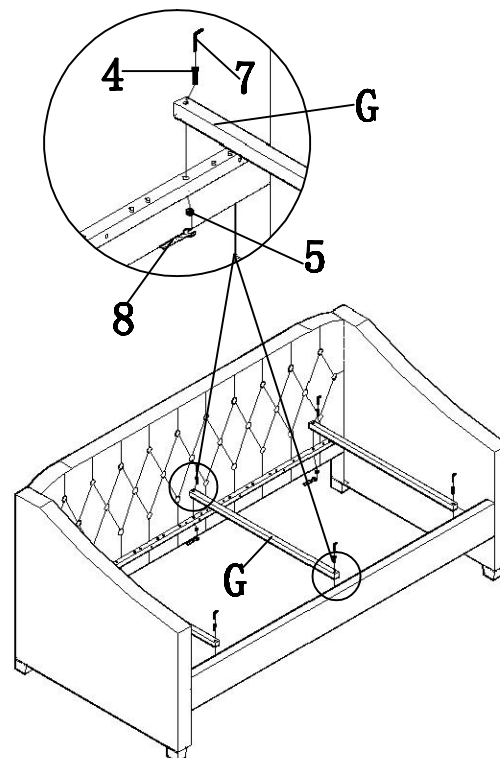
- 2** Assemble the sideboard B,C to the backboard C,using the flat washer 6,bolt 3 and allen key 7.



- 3** Assemble the front board to the sideboard B,C,using the bolt 1 and allen key 7 .

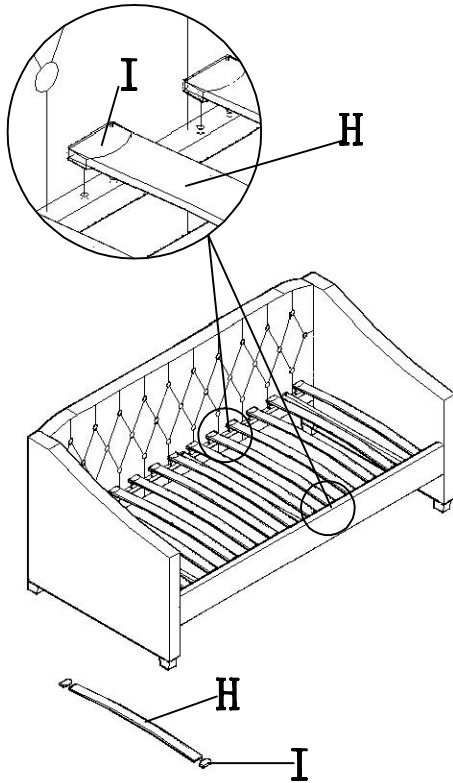


- 4** Assemble the middle rail G to the backboard and frontboard ,using the bolt 4,allen key 7,nut5 and big allen key 8.

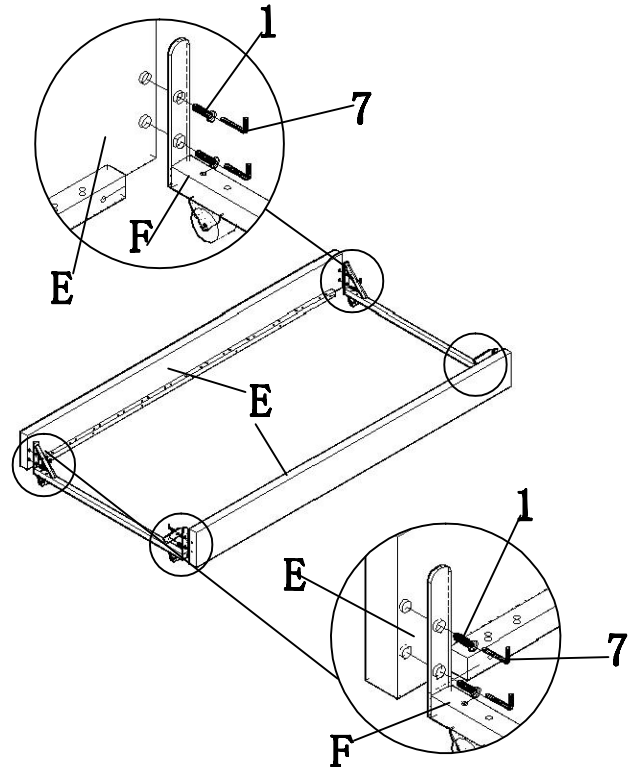


ASSEMBLY INSTRUCTIONS

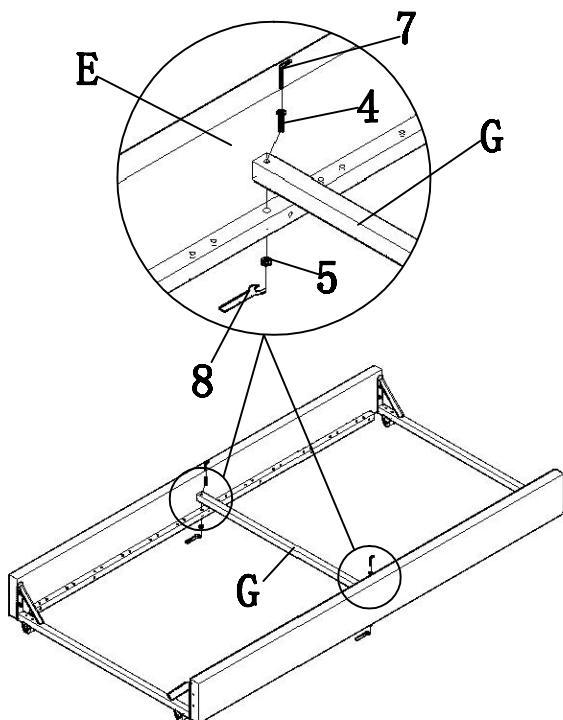
- 5** Assemble the wood slat H to the plastic I ,then put on the backboard and frontboard .



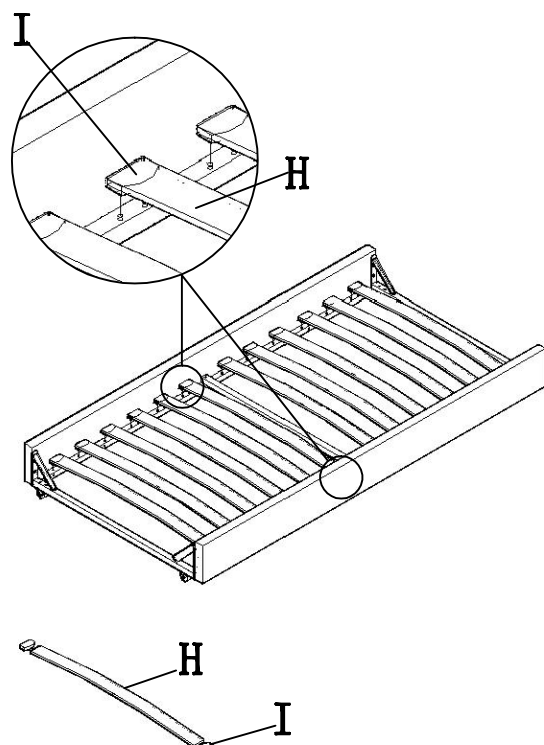
- 6** Assemble the trundle: assemble the sideboard E to the metal part F ,using the bolt 1,allen key7 .



- 7** Assemble the metal tube G to the sideboard E ,using the bolt 4 ,allen key 7 ,nut 5 and big allen key 8 .



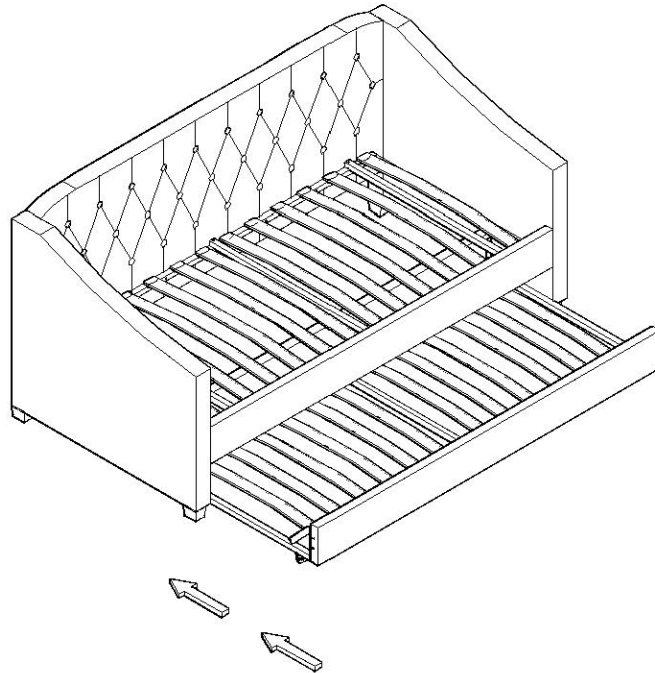
- 8** Assemble the wood slat H to the plastic I ,and place them in position to complete the base .



ASSEMBLY INSTRUCTIONS

9

The underbed trundle can slide in and be pulled out when needed.



10

Sofa bed is complete

