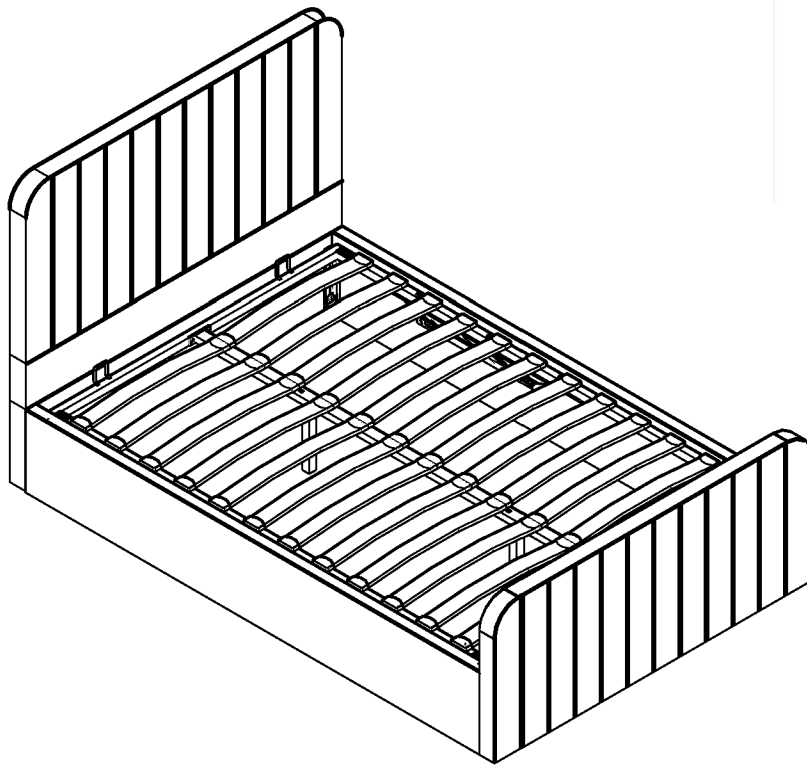


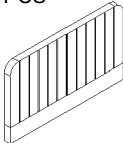
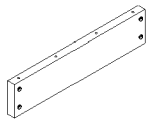
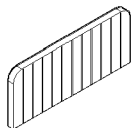
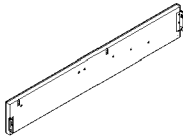
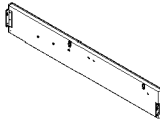






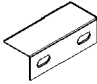


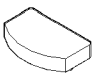



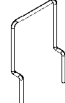
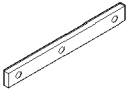


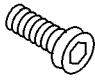
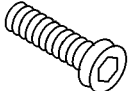









# ASSEMBLY INSTRUCTIONS

WAVE VFB-02-2 4FT & 4FT6



Scan this code , you can watch the assemble veido

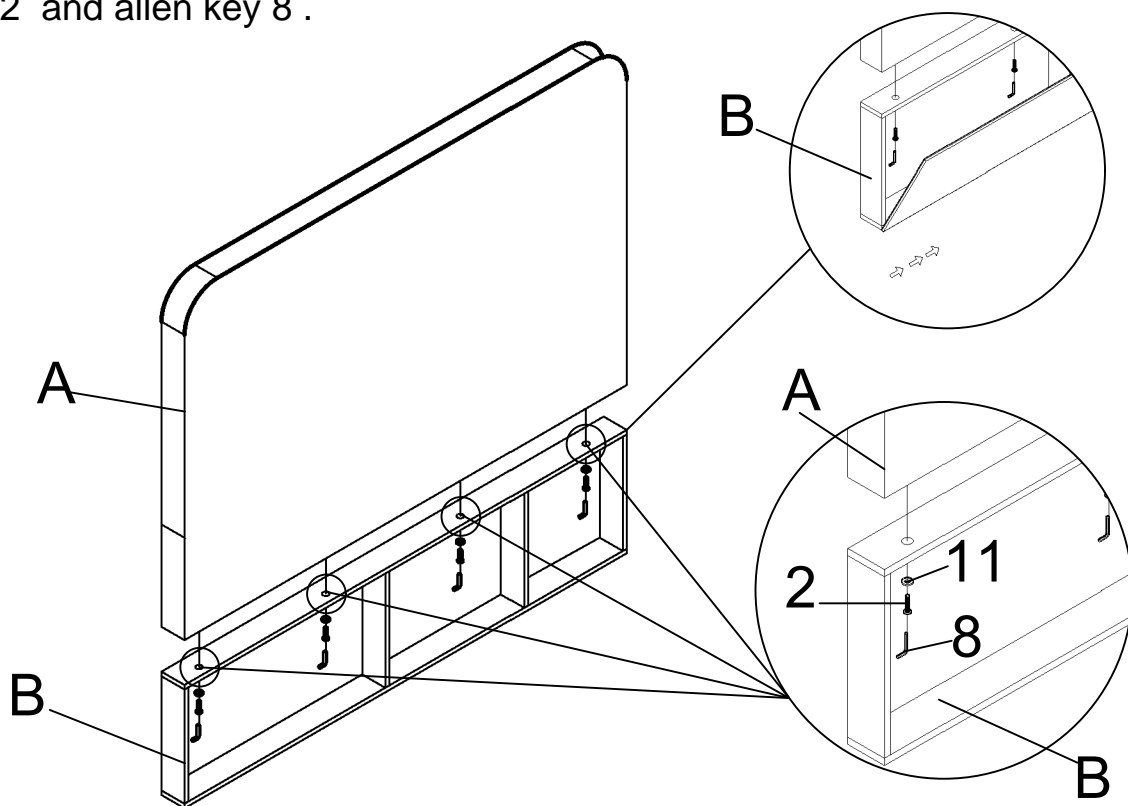


A. 1PCS 	B. 1PCS 	C. 1PCS 	D. 1PCS 	E. 1PCS 	F. 2PCS 	G. 2PCS 
H. 1PCS 	I. 1PCS 	J. 2PCS 	K. 2PCS 	L. 1PCS 	M. 24PCS 	N. 12PCS 
O. 24PCS 	P. 1PCS 	Q. 1PCS 	R. 2PCS 	S. 2PCS 	T. 2PCS 	U. 1PCS 
V. 1PCS 	1. M8*20 14PCS 	2. M8*40 16PCS 	3. M6*16 8PCS 	4. M6*35 8PCS 	5. M8*20 4PCS 	6. M8 6PCS 
7. M6 8PCS 	8. 	9. 	10. 9PCS 	11 4PCS 		

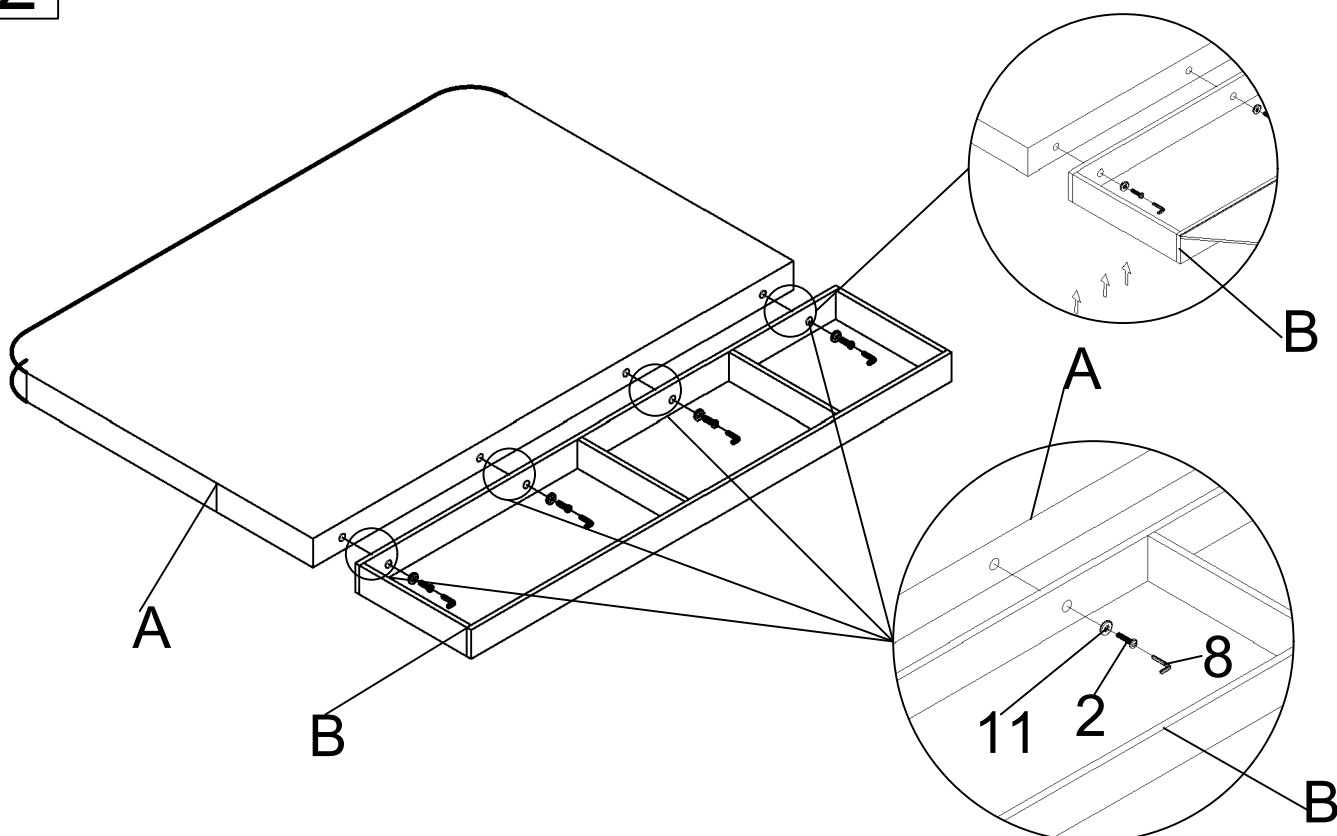
# ASSEMBLY INSTRUCTIONS

1

Assemble the headboard A,B together with flat washer 11, bolt 2 and allen key 8 .

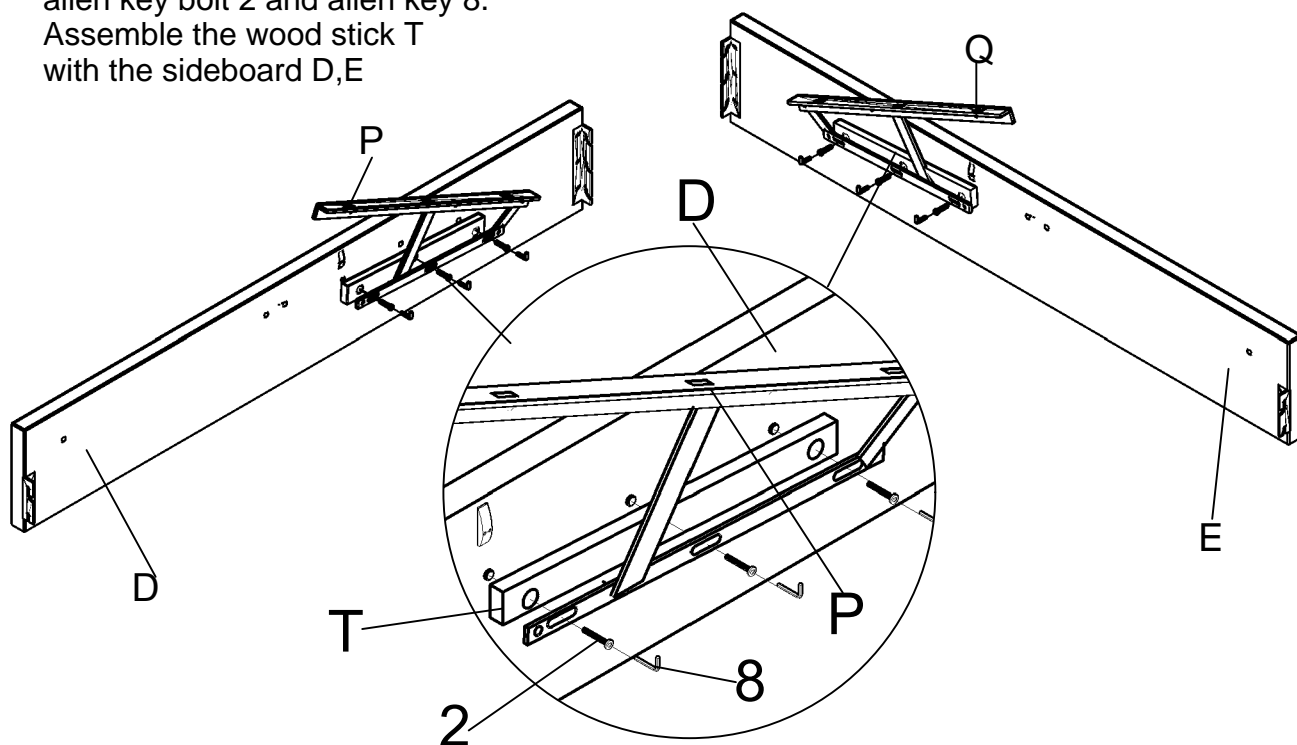


2

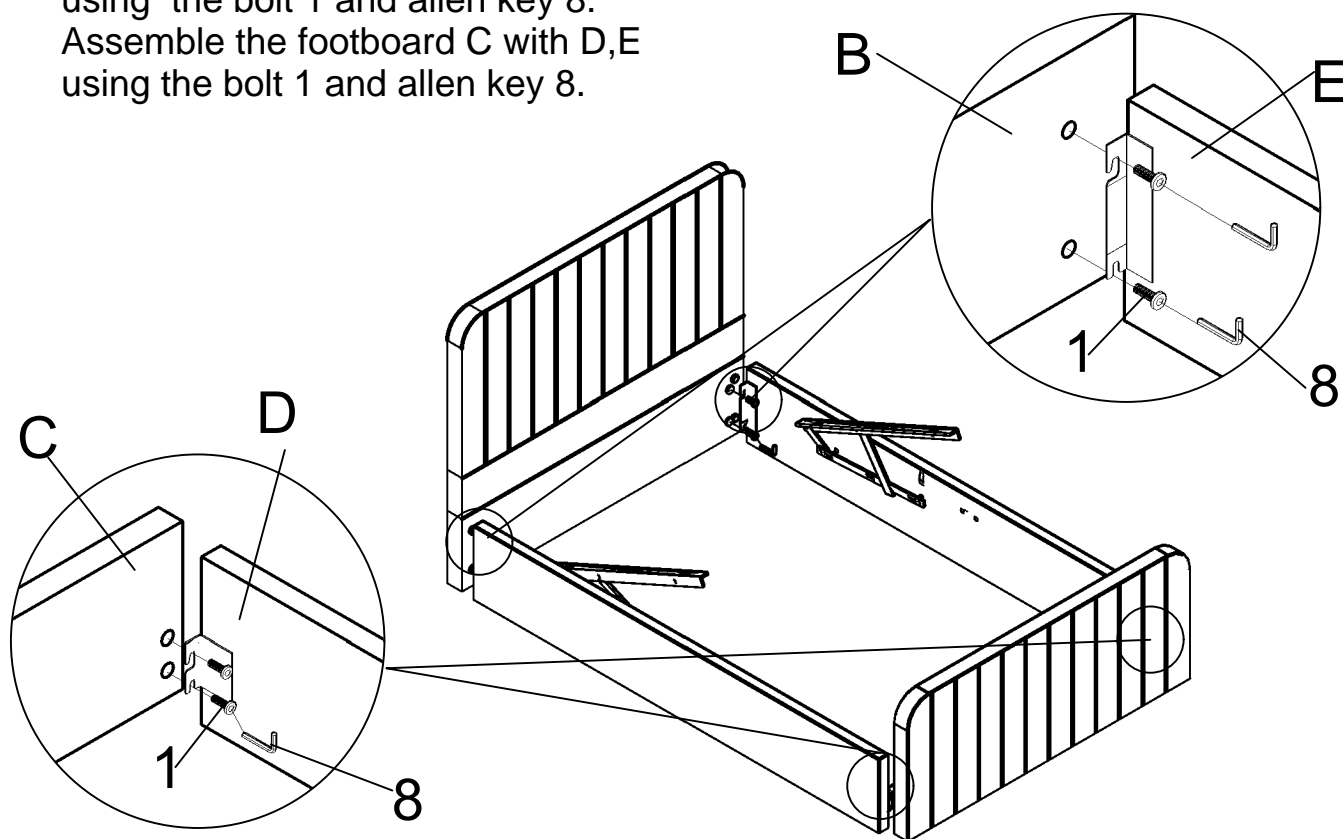


# ASSEMBLY INSTRUCTIONS

- 3** Assemble the gas lifting P to the sideboard D ;Assemble the gas lifting Q to sideboard E use the allen key bolt 2 and allen key 8. Assemble the wood stick T with the sideboard D,E



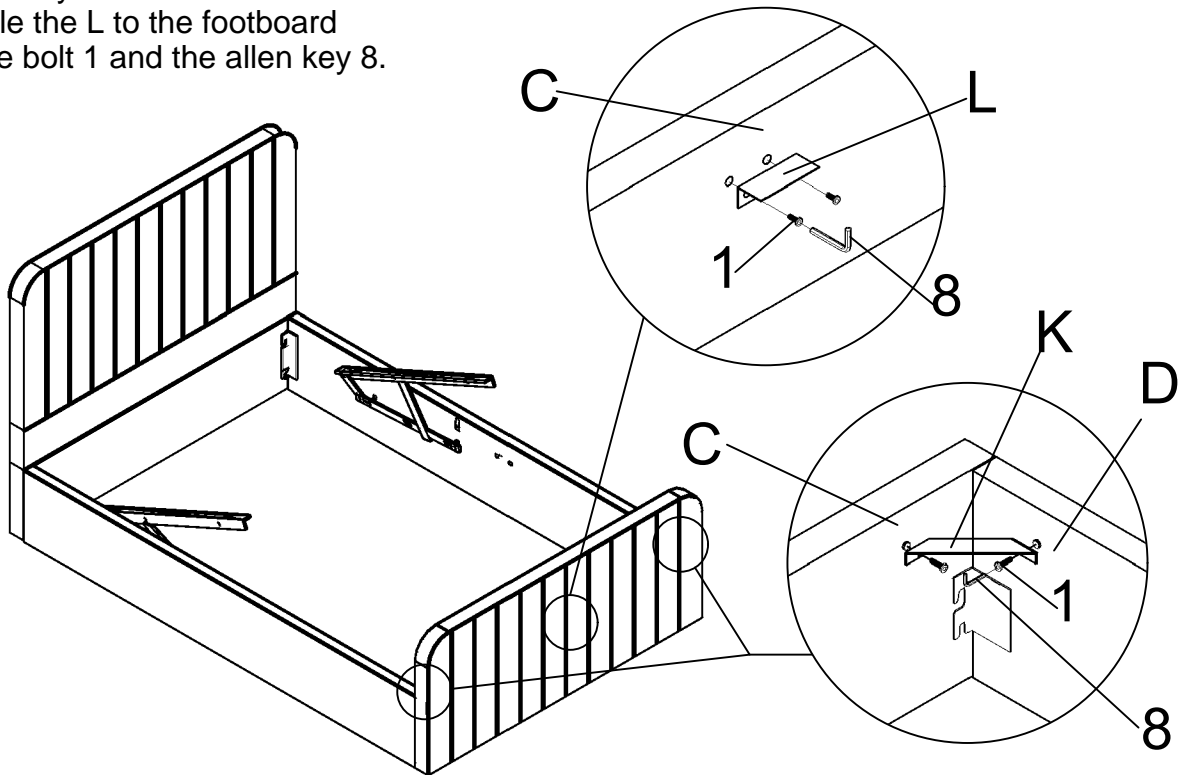
- 4** Assemble the headboard B with D,E using the bolt 1 and allen key 8. Assemble the footboard C with D,E using the bolt 1 and allen key 8.



# ASSEMBLY INSTRUCTIONS

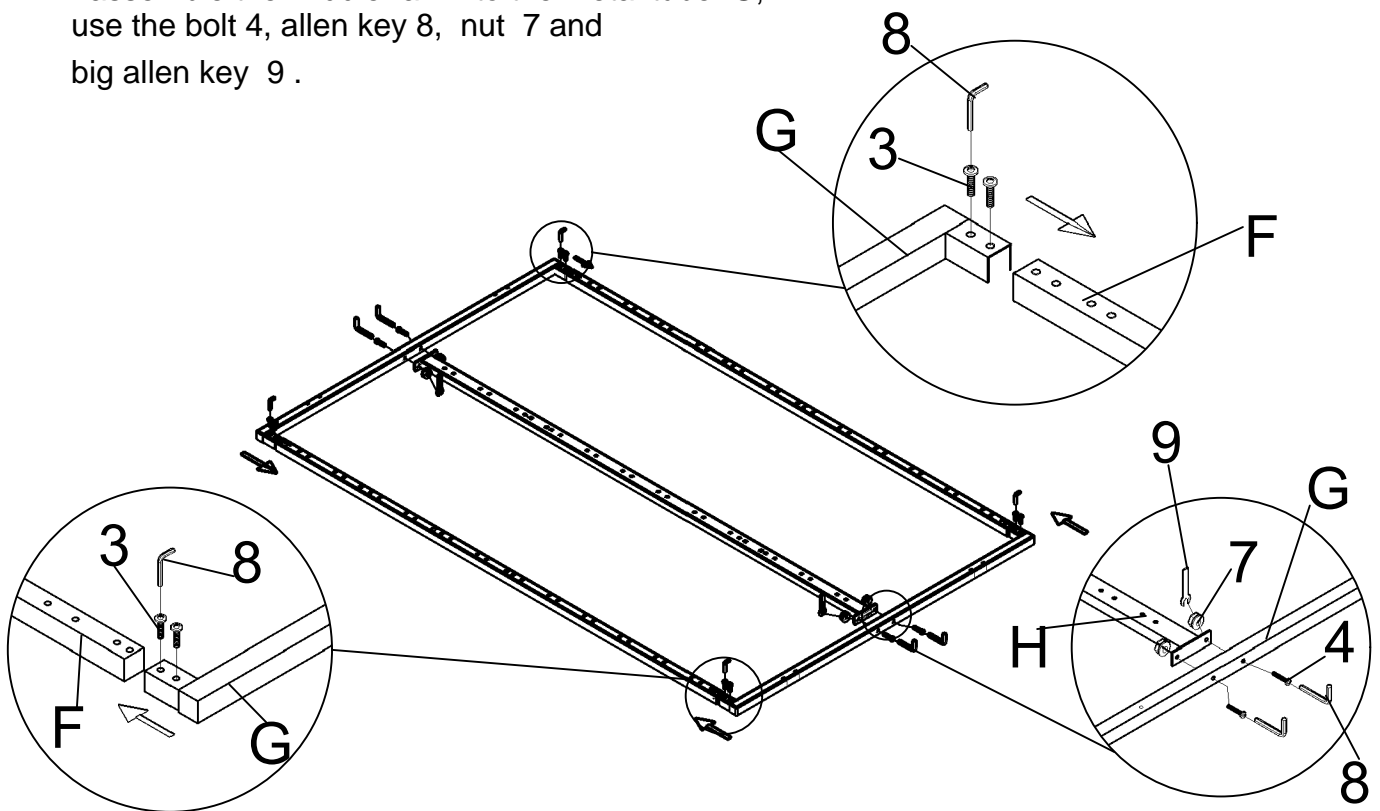
5

Connect the siderail D,E to the headboard or footboard using the hardware K, the bolt 1 and allen key 8.  
Assemble the L to the footboard using the bolt 1 and the allen key 8.



6

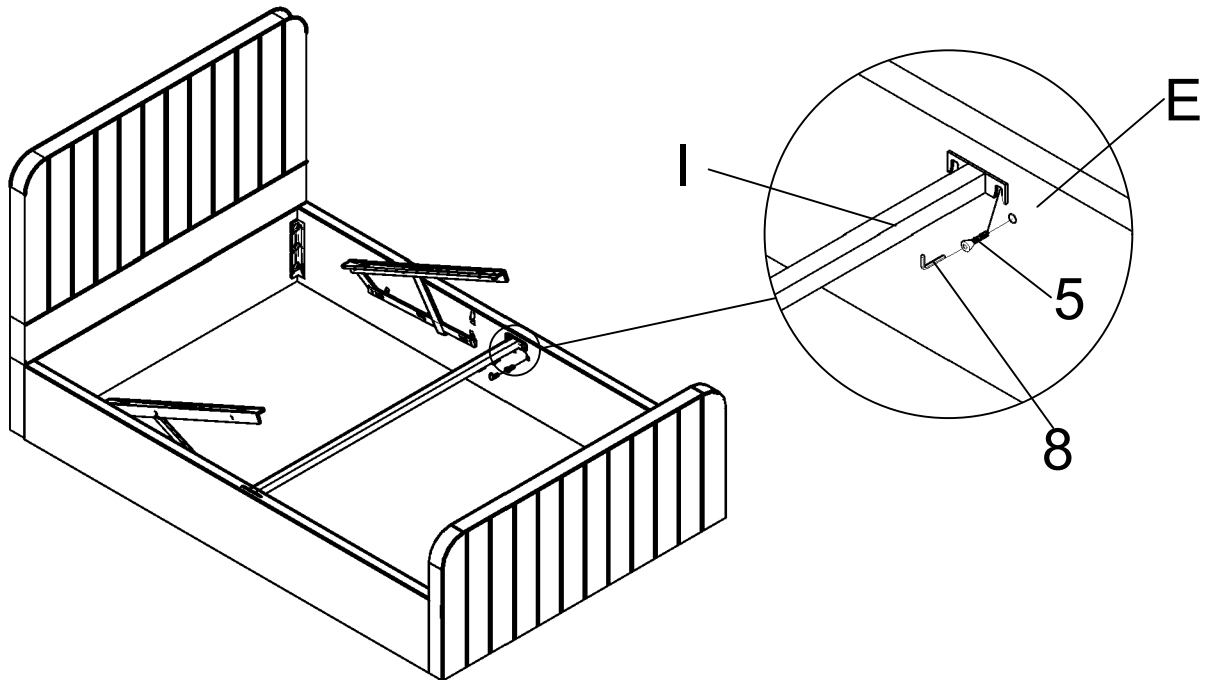
Assemble the bed frame: assemble the metal tube G to F using the bolt 3 and allen key 8; assemble the middle rail H to the metal tube G, use the bolt 4, allen key 8, nut 7 and big allen key 9.



# ASSEMBLY INSTRUCTIONS

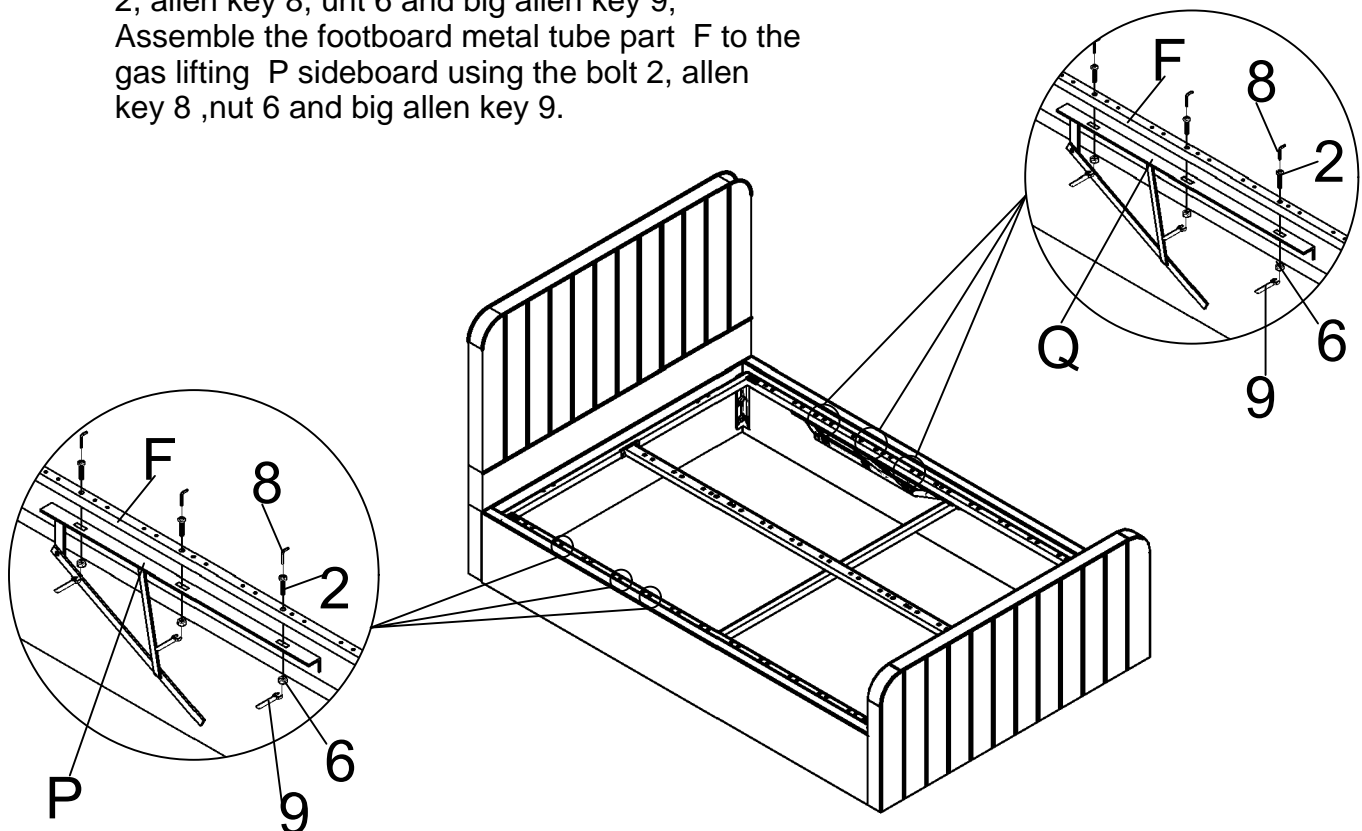
7

Assemble the middle metal tube I to the siderail E, using the bolt 5 and allen key 8.



8

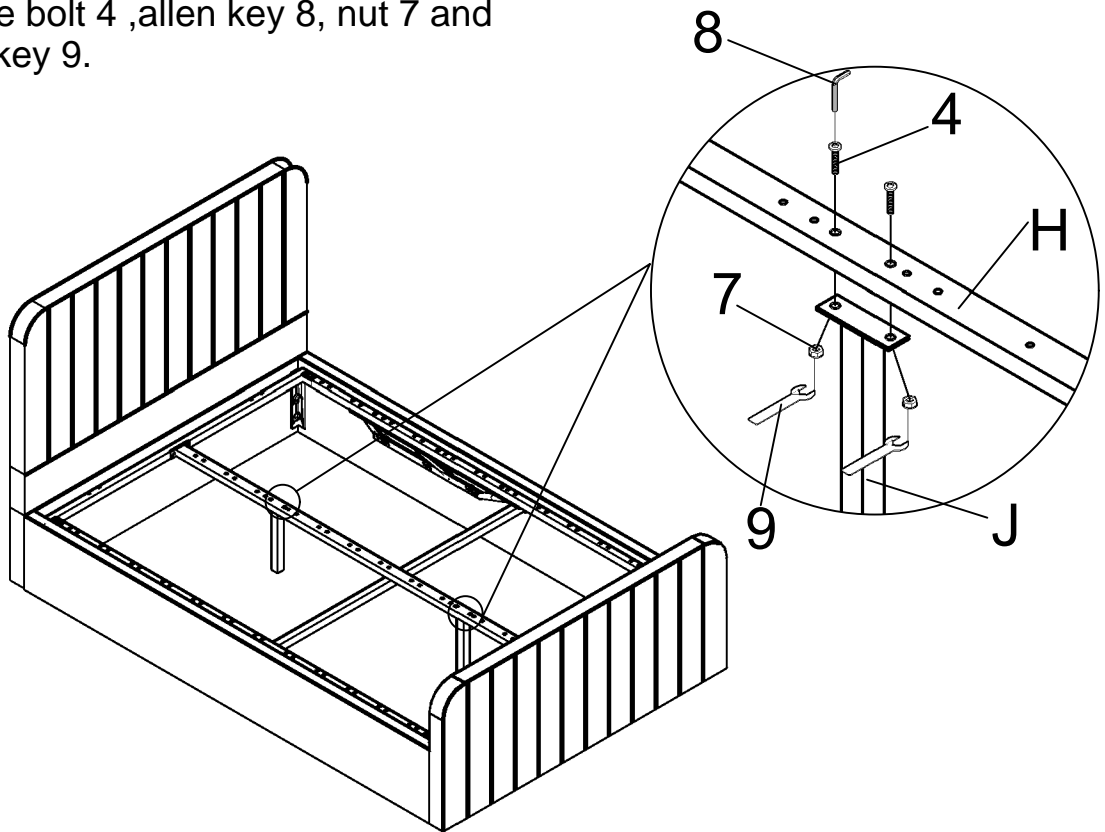
Assemble the headboard metal tube part F to the gas lifting Q using the bolt 2, allen key 8, nut 6 and big allen key 9;  
Assemble the footboard metal tube part F to the gas lifting P sideboard using the bolt 2, allen key 8, nut 6 and big allen key 9.



# ASSEMBLY INSTRUCTIONS

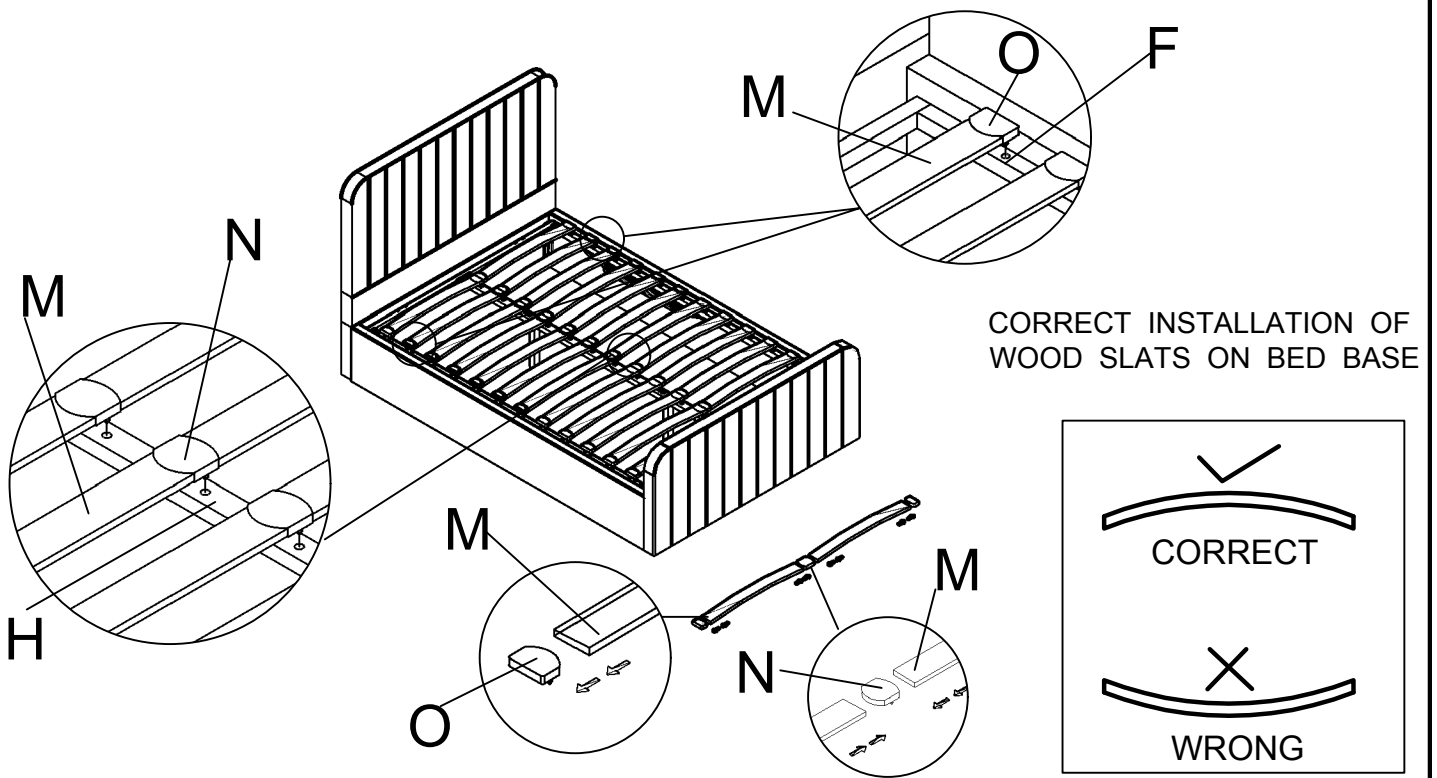
9

Assemble the two legs J to the middle rail H , using the bolt 4 ,allen key 8, nut 7 and big allen key 9.



10

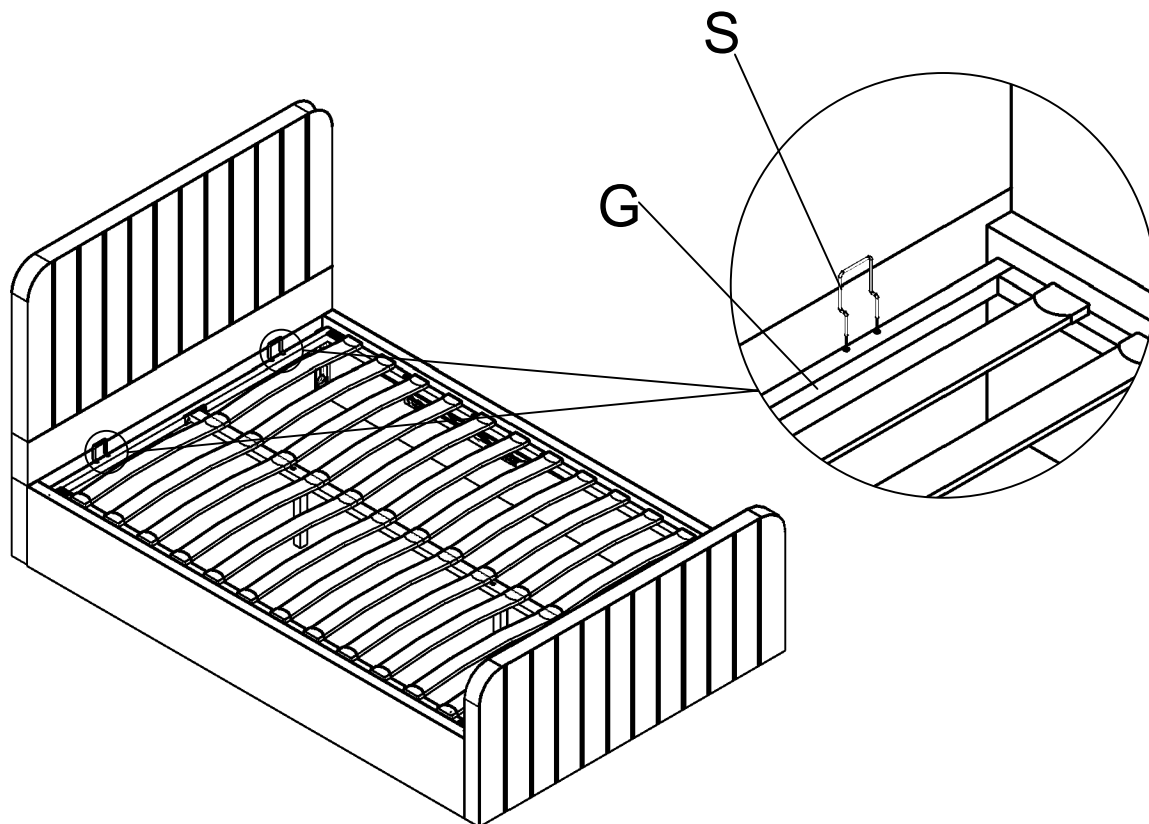
Assemble the wood slats M with plastic O, and N, Put the wood slat on siderail F and middle rail H .



# ASSEMBLY INSTRUCTIONS

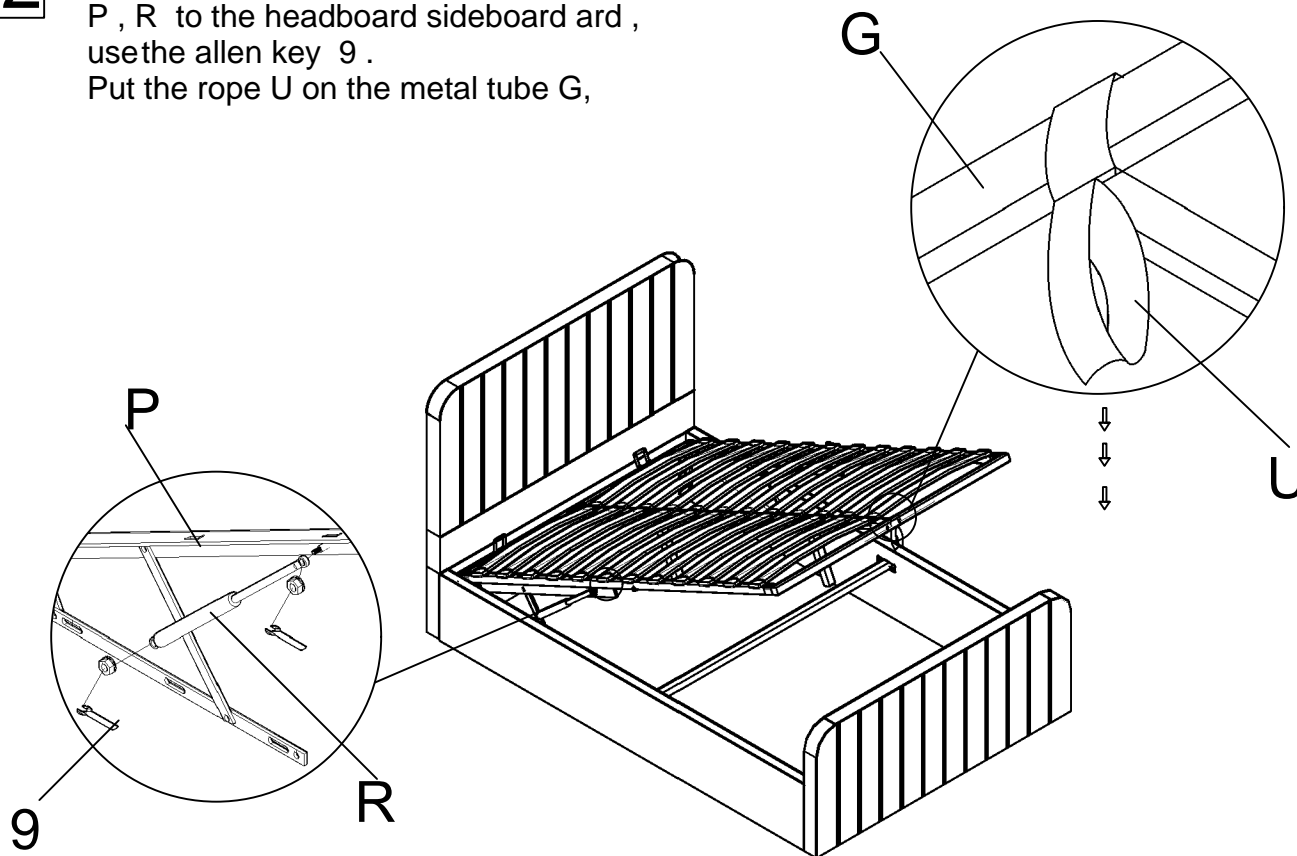
11

Put the two hooks S on the siderail F G.



12

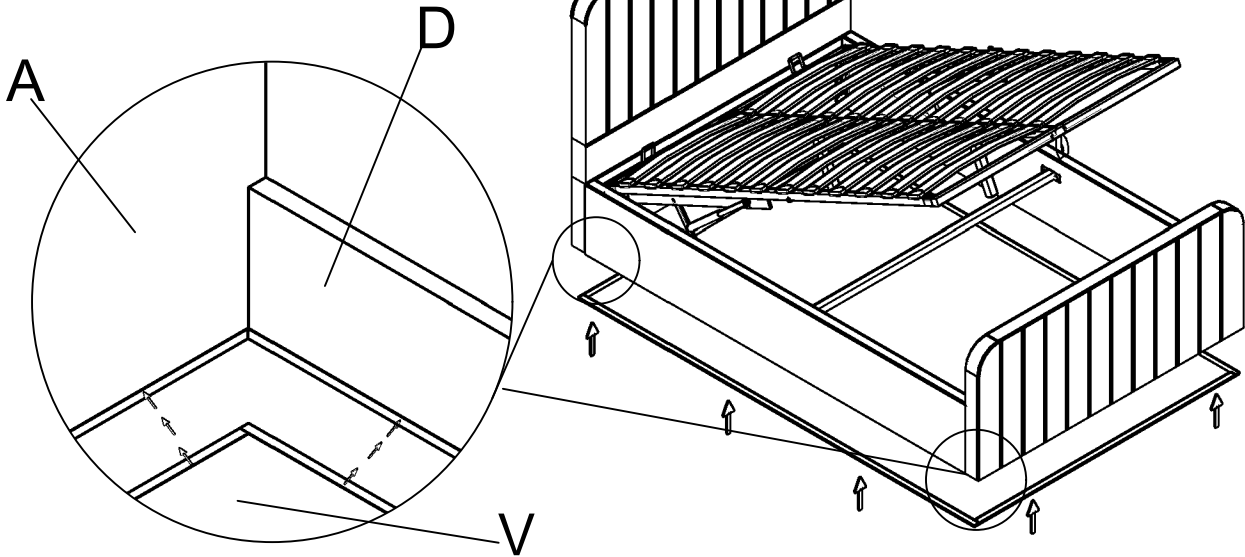
Assemble the gas lifting bar P, R to the headboard sideboard and, use the allen key 9. Put the rope U on the metal tube G,



# ASSEMBLY INSTRUCTIONS

13

And fabric V to the headboard , siderail and footboard .



14

put protective pads 10 on the middle metal tube I ; also put two protective pads 10 on K ,L Remark:The use of parts 10 . (protective pads) helps minimise the sound when opening/closing the gas lift .

