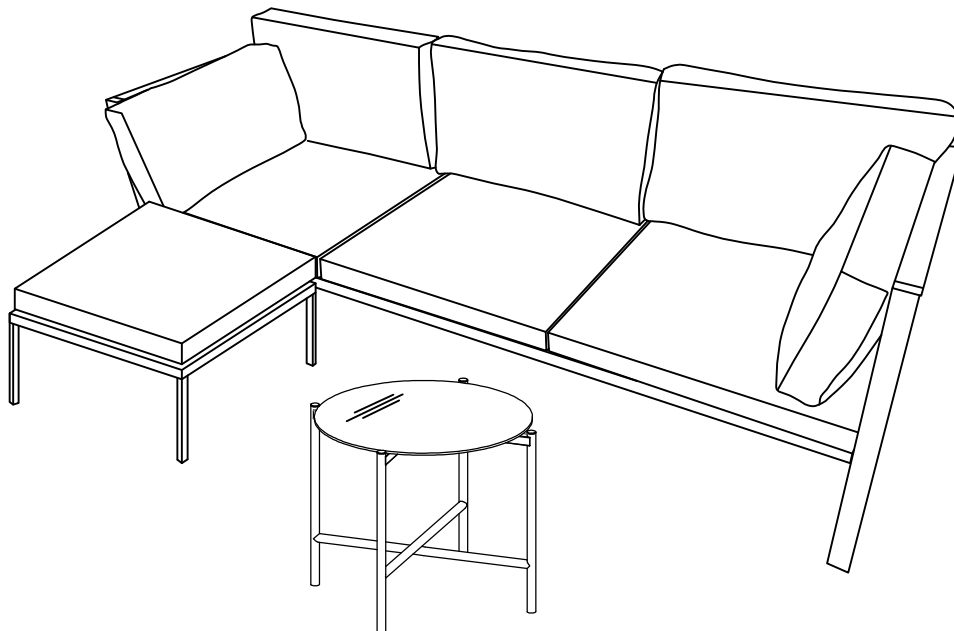


Installation Instruction

N606P240727

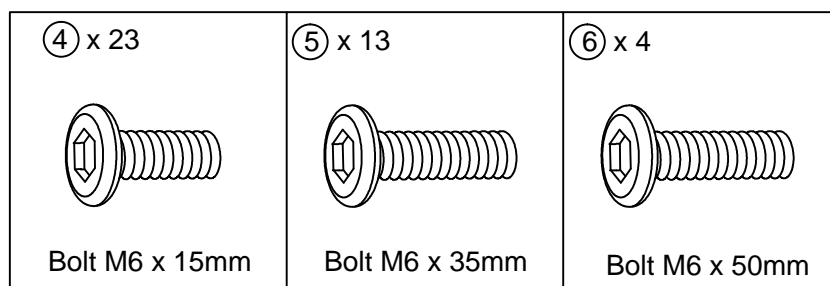
N606P240728



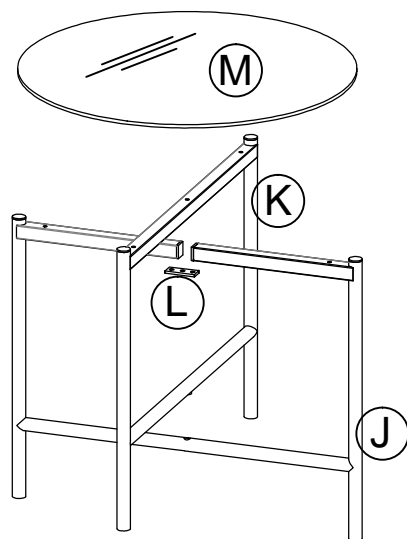
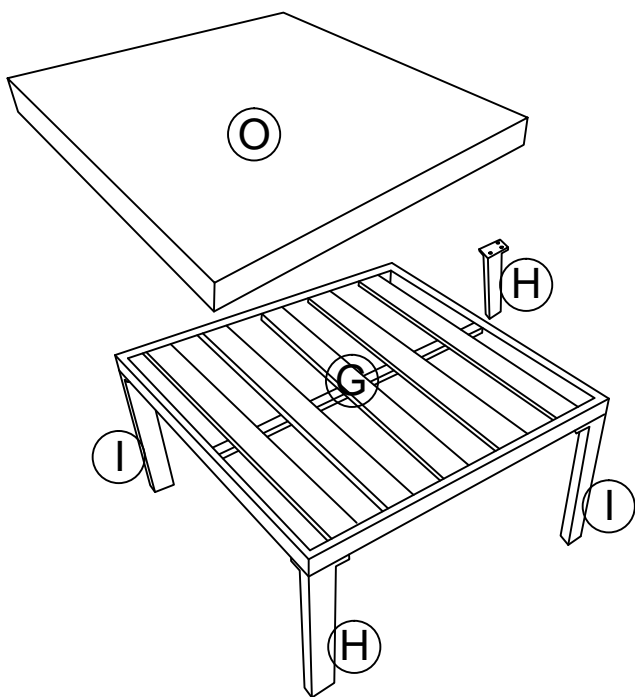
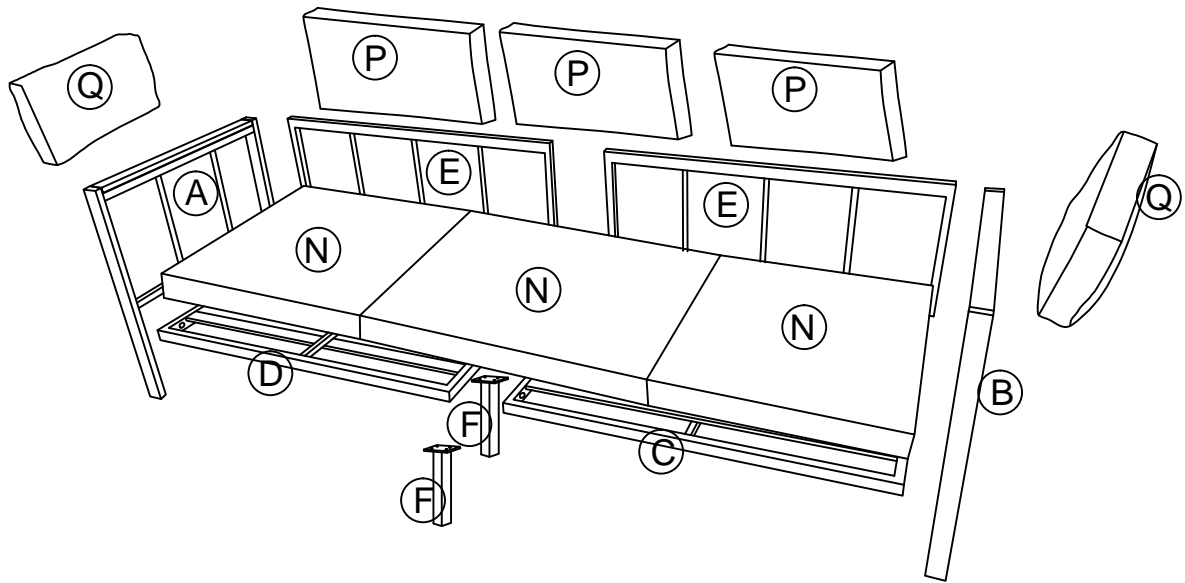
Importeur	COMHARBOR LIMITED		
Adresse	Unit C, Swift Point, Cosford Lane, Rugby, CV21 1PY,GB		
URL	harborcomhar@gmail.com		
Hersteller	Hangzhou Bris Household Products Co.,Ltd.		
Adresse	Room 704-705,Xingyun Mansion, No.688, Hangxing Road, Gongshu District, Hangzhou, China		
Email/URL	https://www.brisfurniture.com		
<table border="1"><tr><td>EC</td><td>REP</td></tr></table>	EC	REP	COMHARBOR LIMITED Unit C, Swift Point, Cosford Lane, Rugby, CV21 1PY,GB harborcomhar@gmail.com
EC	REP		

Warning:

1. Our product will be delivered to you in 2 packages. The delivery times of these 2 packages may differ, please be patient and thank you for your understanding.
2. Before installation, insert the screws into the holes and tighten them, but do not tighten them to 100%, 70% to 80% is sufficient. Finally, after all screws are installed, tighten all screws to 100%. If you encounter these issues, such as the holes cannot be aligned or some parts cannot be intalled please check if the screws are used correctly and adjust the ightness of the screws.
3. Do not use in heavy rain or damp conditions, and avoid prolonged exposure to rain. If the product becomes wet, allow it to dry thoroughly in a dry, well-ventilated area before using it again.
4. Extended exposure to sunlight may cause the material to fade or become damaged. It is recommended to use a sun cover. Regularly check the product for condition under strong sunlight to prevent material aging.
5. Do not overload. Avoid jumping on or applying excessive pressure to the product to prevent structural damage.
6. Use mild detergents and a soft cloth for cleaning. Do not use corrosive or harsh cleaning products.
7. Assemble according to the instructions. Improper assembly may cause instability. When moving the sofa, be careful to avoid scratching the floor or damaging the product.
8. Keep away from open flames or hot objects to avoid fire hazards.
9. Keep children and pets away from sharp parts of the product to prevent potential injuries.
10. When not in use, cover the product or store it in a dry, shaded area to extend its lifespan.

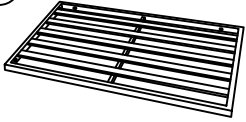
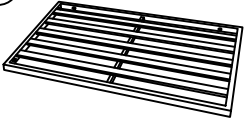
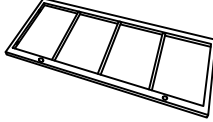
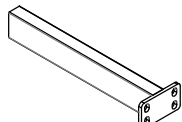
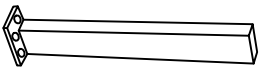
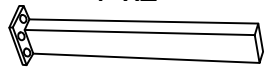
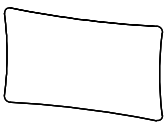
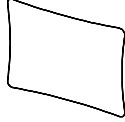


EN: Please note that the shapes of screws ④, ⑤ and ⑥ are similar. Please install according to the instructions and distinguish them!

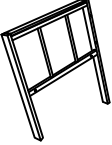


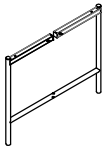
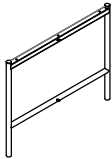
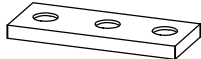


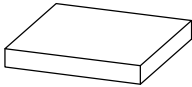



CARTON CONTENT:

N606P240727

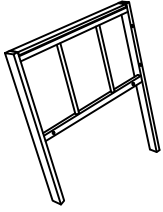
<p>Ⓒx1</p>  <p>Left Sofa Seat</p>	<p>Ⓓx1</p>  <p>Right Sofa Seat</p>	<p>Ⓔx2</p>  <p>Back Frame</p>	<p>Ⓕx2</p>  <p>Middle Leg</p>
<p>Ⓗx2</p>  <p>Leg</p>	<p>Ⓛ x2</p>  <p>Leg</p>	<p>Ⓟx3</p>  <p>Back Cushion</p>	<p>Ⓠx2</p>  <p>Back Cushion</p>

N606P240728

<p>Ⓐx1</p>  <p>Right Armrest</p>	<p>Ⓑx1</p>  <p>Left Armrest</p>	<p>Ⓖx1</p>  <p>Stool Seat</p>	<p>Ⓝx1</p>  <p>Table Leg</p>
<p>Ⓚx1</p>  <p>Table Leg</p>	<p>Ⓛx1</p>  <p>Connector</p>	<p>Ⓜx1</p>  <p>Glass</p>	<p>Ⓝx3</p>  <p>Seat Cushion</p>
<p>Ⓞx1</p>  <p>Stool Seat Cushion</p>	<p>Hardware</p> 		

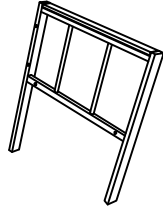
Part Liste

Ⓐx1



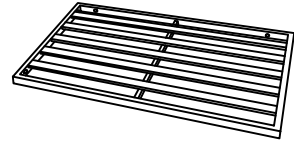
Right Armrest

Ⓑx1



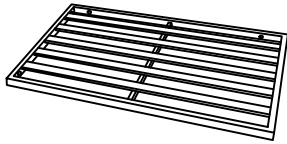
Left Armrest

Ⓒx1



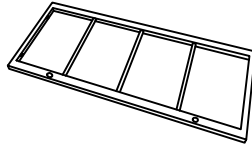
Left Sofa Seat

Ⓓ x1



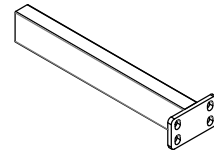
Right Sofa Seat

Ⓔx2



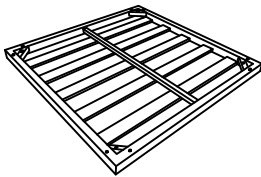
Back Frame

Ⓕx2



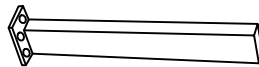
Middle Leg

Ⓖx1



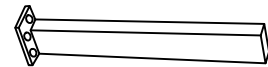
Stool Seat

Ⓗx2



Leg

Ⓘx2



Leg

Ⓙx1

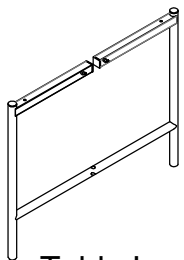


Table Leg

Ⓚx1

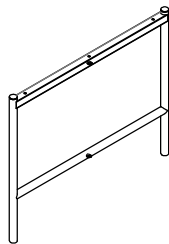
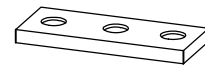


Table Leg

Ⓛx1



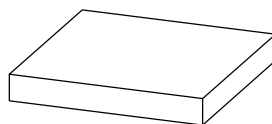
Connector

Ⓜx1



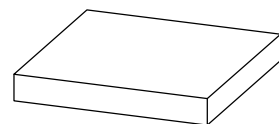
Glass

Ⓝx3



Seat Cushion

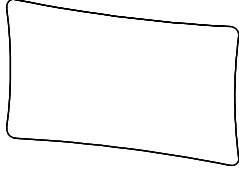
Ⓞx1



Seat Cushion

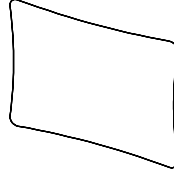
Part Liste

Ⓟ x3



Back Cushion

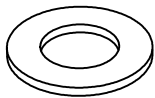
Ⓠ x2



Back Cushion

Hardware Liste

① x 44



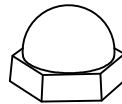
Washer M6

② x 40



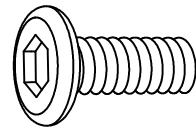
PE Bolt Cover Cap

③ x 4



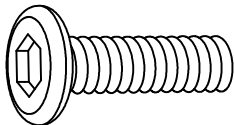
PE Bolt Cover Cap

④ x 23



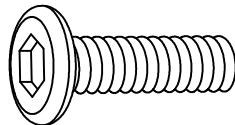
Bolt M6 x 15mm

⑤ x 13



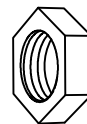
Bolt M6 x 35mm

⑥ x 4



Bolt M6 x 50mm

⑦ x 4



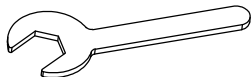
Nut M6

⑧ x 1

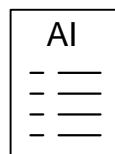


Allen key

⑨ x 1



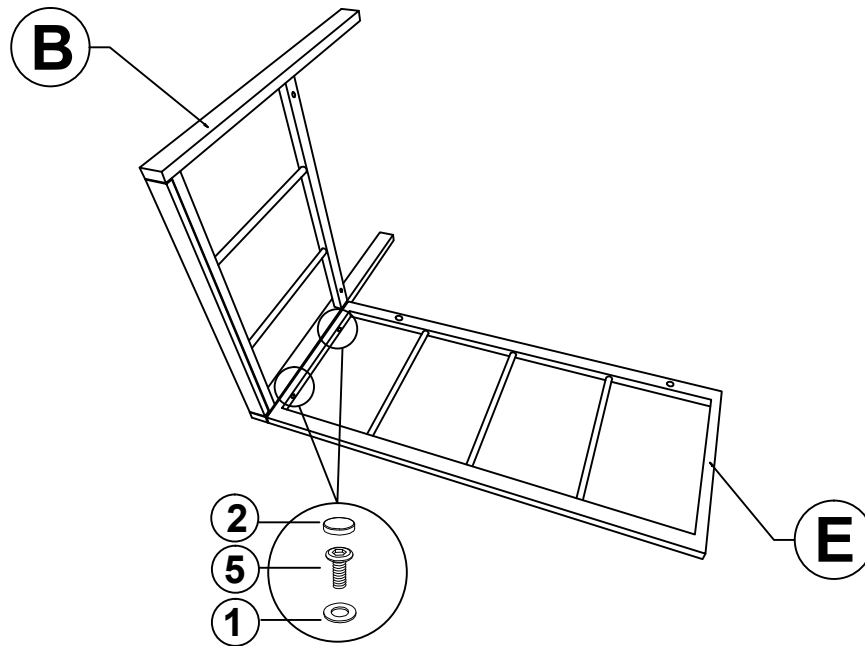
Open-ended wrench



**Please note that the shapes of screws ④ and ⑤ and ⑥ are similar. Please install according to the instructions and distinguish them!
After tightening all screws 100%, install the PE Bolt Cover Cap.**

SCHRITT 1

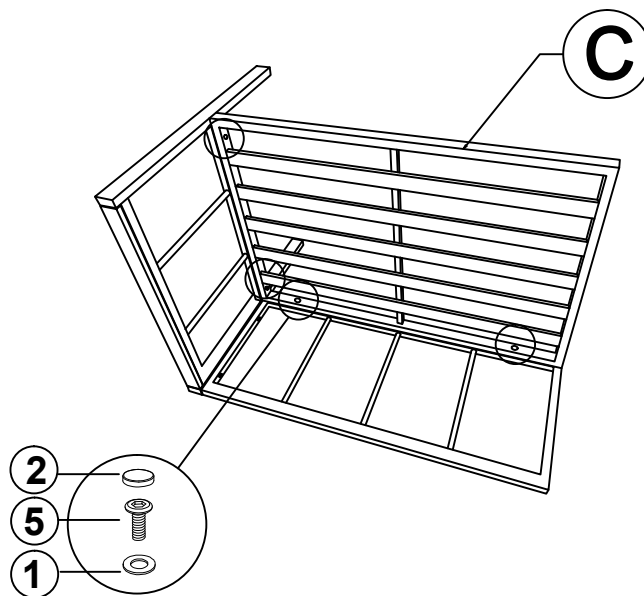
- Ⓑ x1
- Ⓔ x1
- ① x2
- ② x2
- ⑤ x2



Left

SCHRITT 2

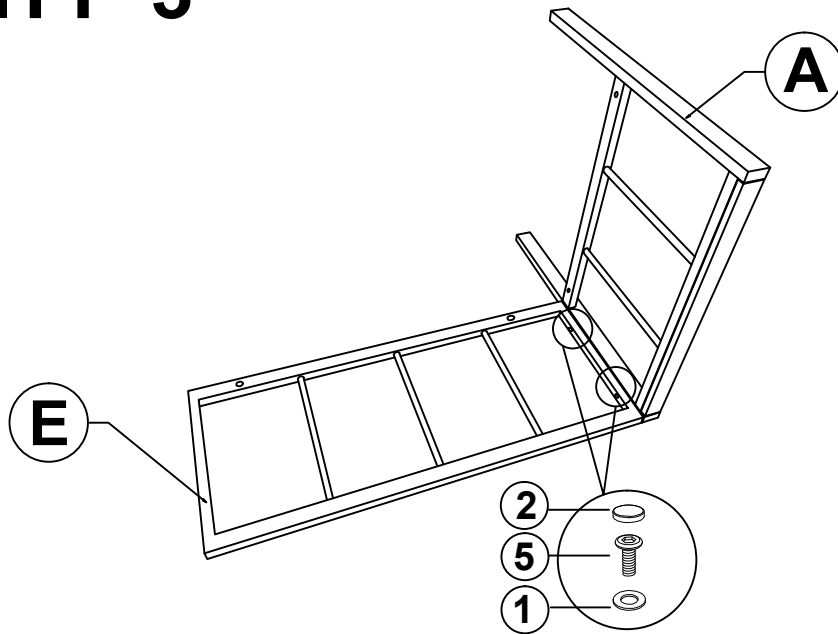
- Ⓒ x1
- ① x4
- ② x4
- ⑤ x4



Left

SCHRITT 3

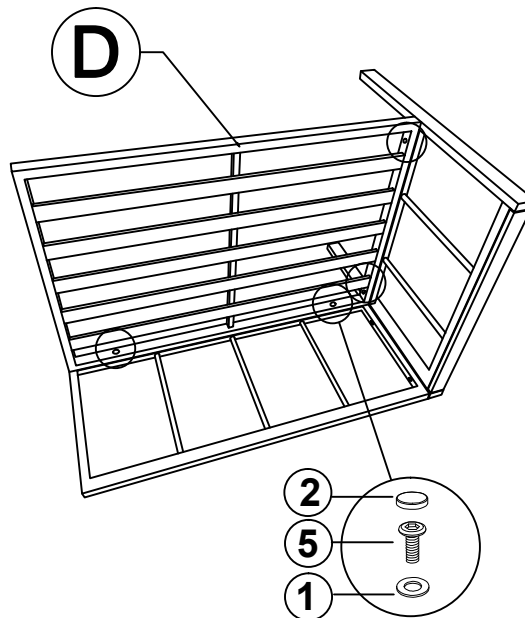
- Ⓐ x1
- Ⓔ x1
- ① x2
- ② x2
- ⑤ x2



Right

SCHRITT 4

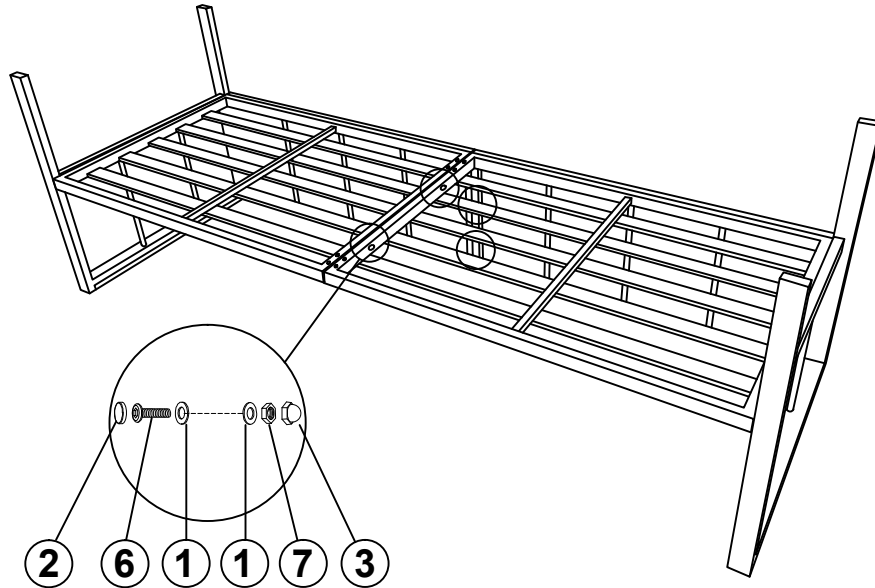
- Ⓓ x1
- ① x4
- ② x4
- ⑤ x4



Right

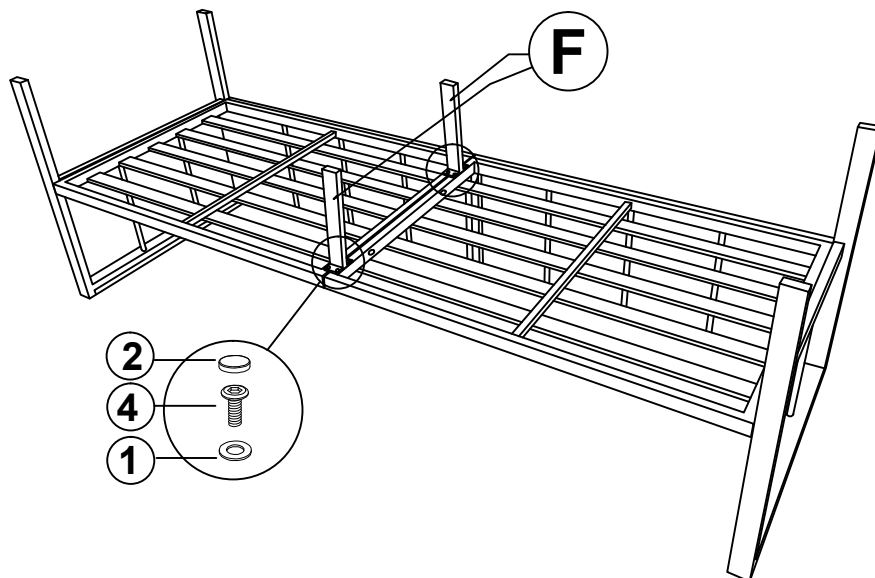
SCHRITT 5

- ① x8
- ② x4
- ③ x4
- ⑥ x4
- ⑦ x4



SCHRITT 6

- ⓕ x2
- ① x8
- ② x8
- ④ x8

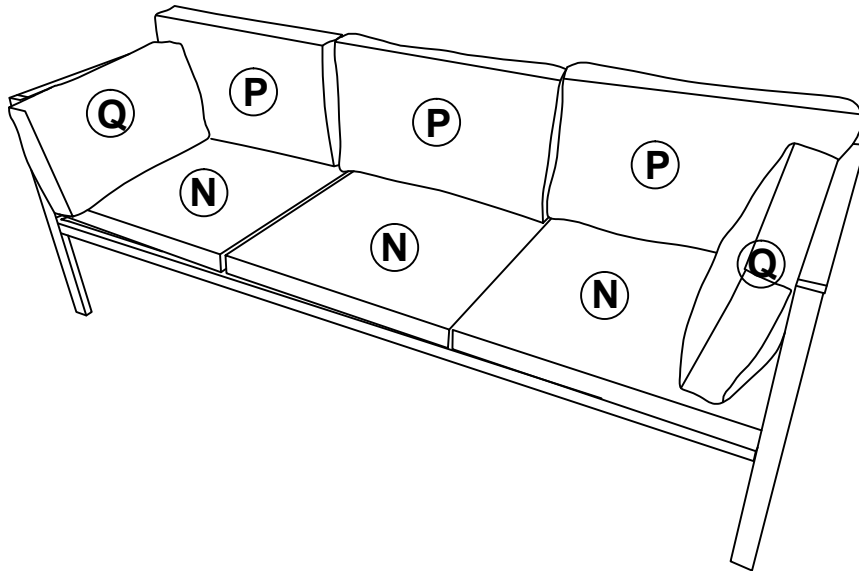


SCHRITT 7

Ⓝ x3

Ⓟ x3

Ⓠ x2



SCHRITT 8

ⓓ x2

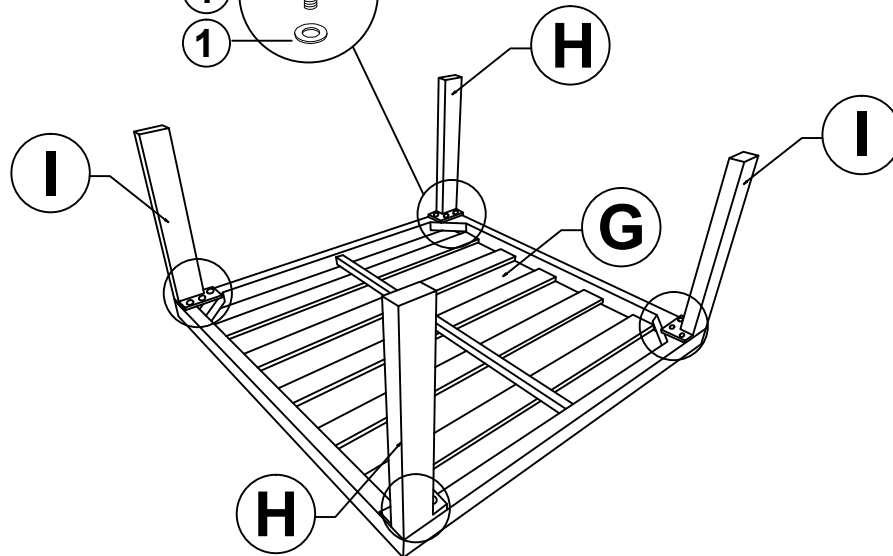
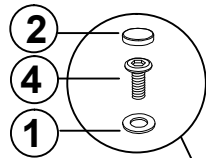
Ⓡ x2

Ⓚ x1

Ⓛ x12

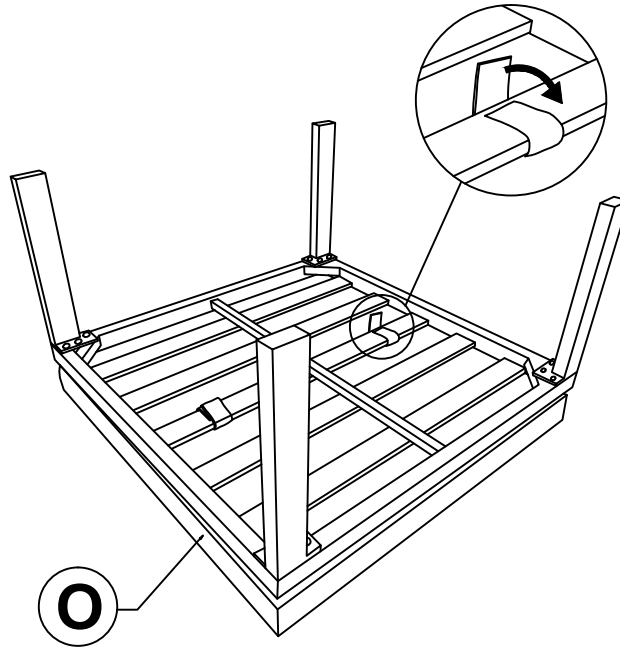
Ⓜ x12

Ⓝ x12

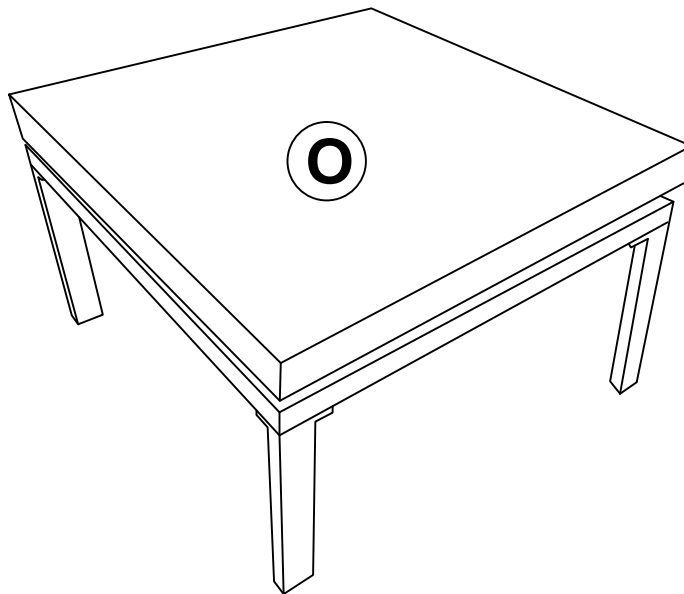


SCHRITT 9

⊙ x1



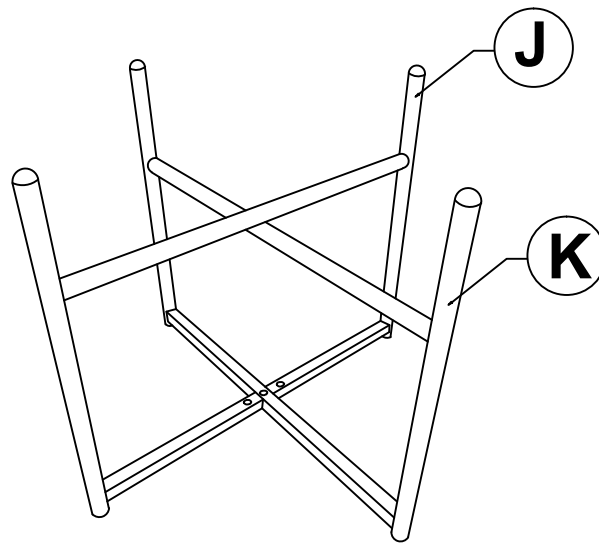
SCHRITT 10



SCHRITT 11

Ⓚ x1

Ⓝ x1



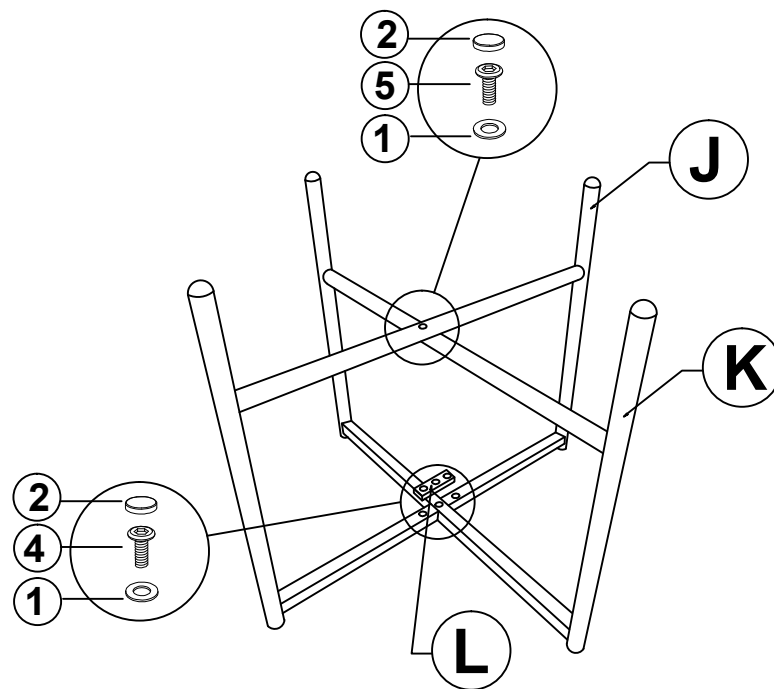
SCHRITT 12

① x4

② x4

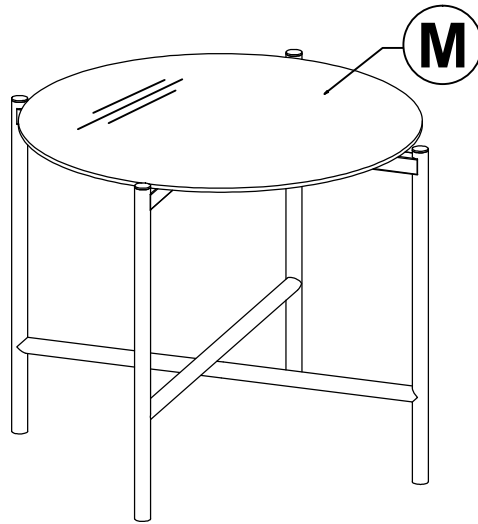
④ x3

⑤ x1



SCHRITT 13

Ⓜ x1



SCHRITT 14

