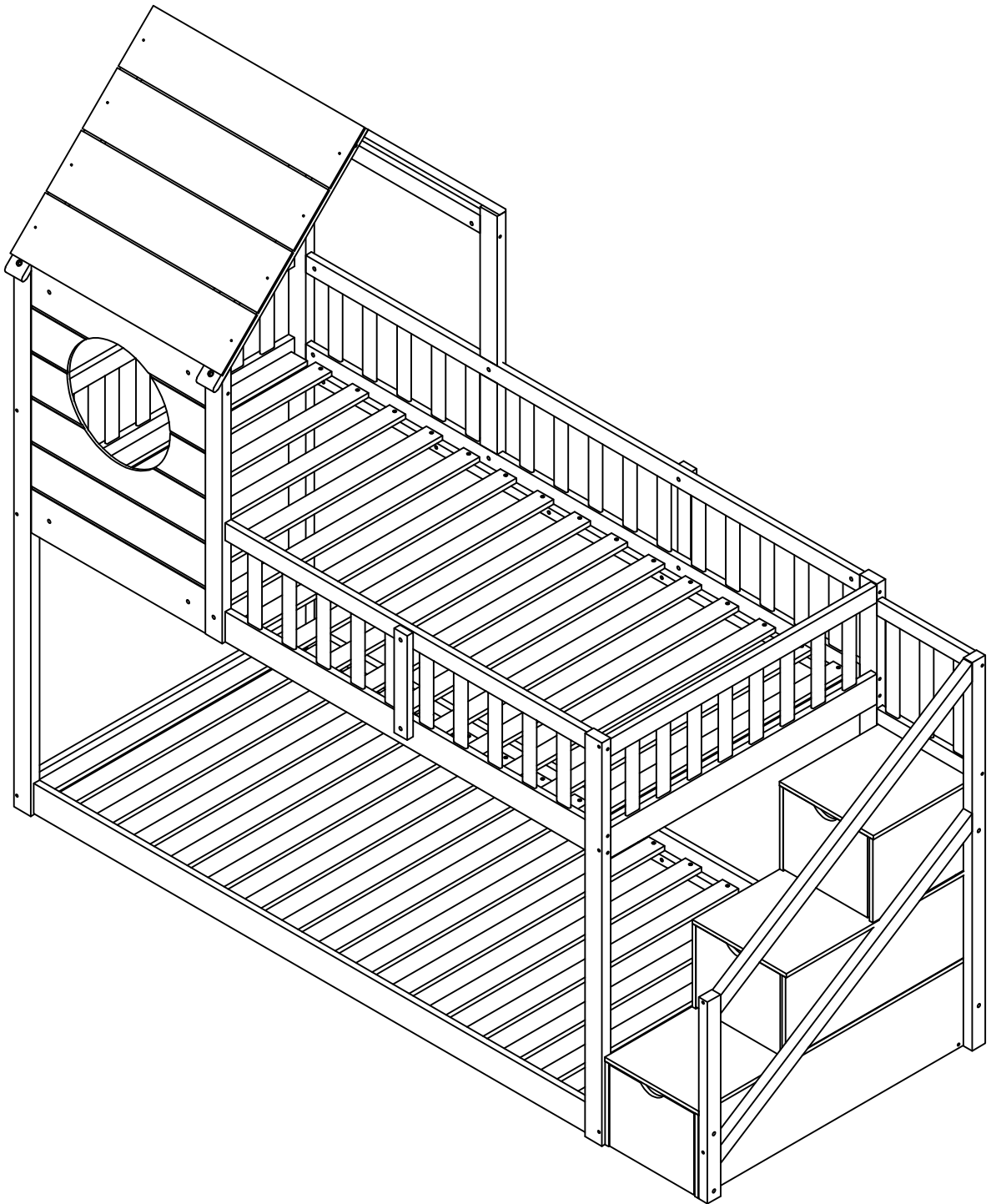


ASSEMBLY INSTRUCTIONS

TWIN OVER TWIN BUNK BED



N606P171100/N606P171101/N606P171102

ASSEMBLY INSTRUCTIONS

TIPS:

1. This set will be shipped by 3 boxes and they may arrive on different days. If both packages arrived but parts missing, please contact customer service.

2. Please read the instructions fully before assembly.

These instructions include important information which could ensure correct assembly.

We have been working on providing high quality products for you. However, in the rare instance that your product is defective, missing parts or there are some issues, please don't hesitate to contact our customer service to submit parts requirements, assembly suggestion, or warranty claims,

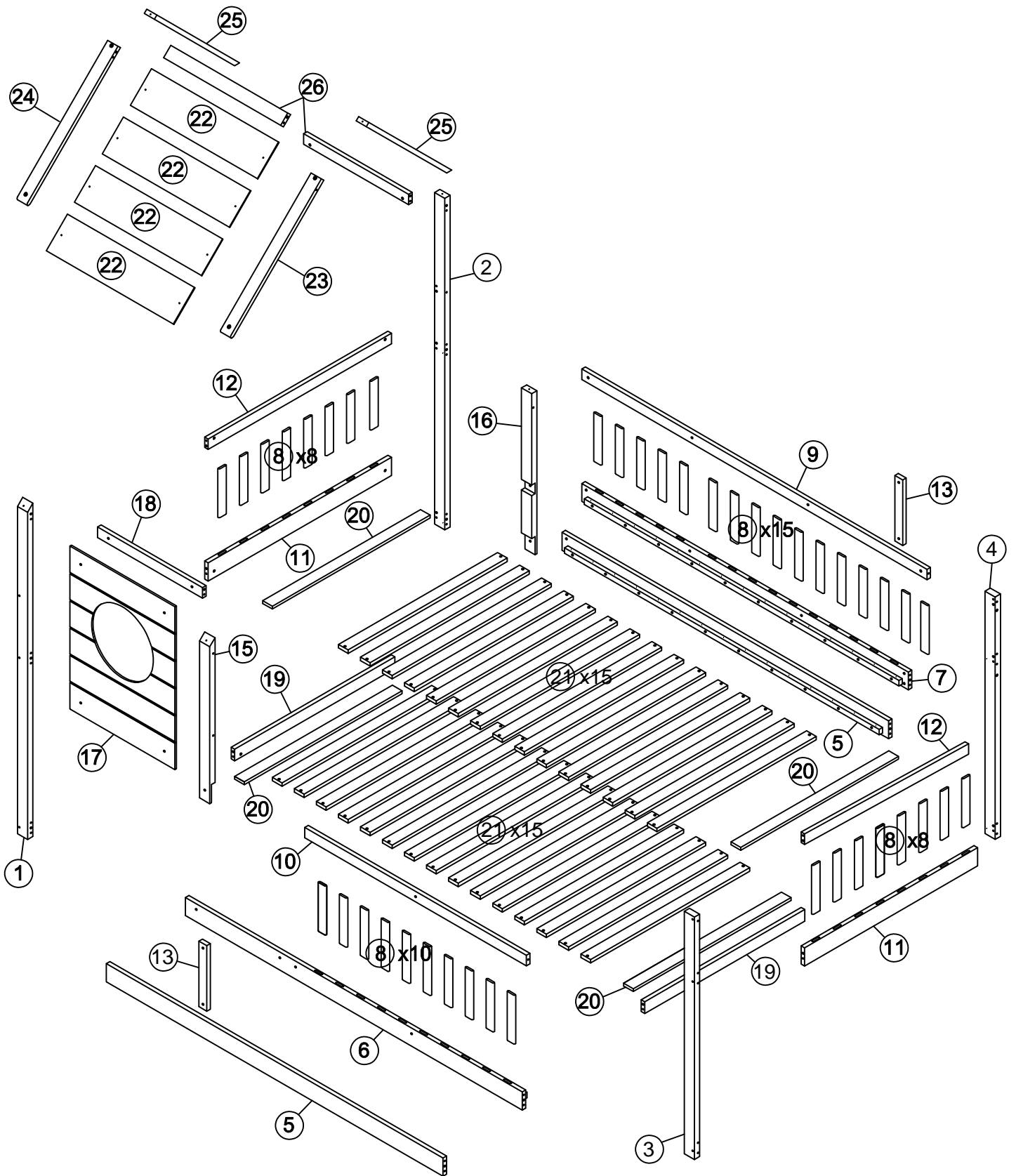
and we will give the best solution as soon as possible. If necessary, we need you to provide some more clear pictures of the issue.

3. Insert the screws in holes and tighten the screws, but not too tight, 70%~80% is ok,

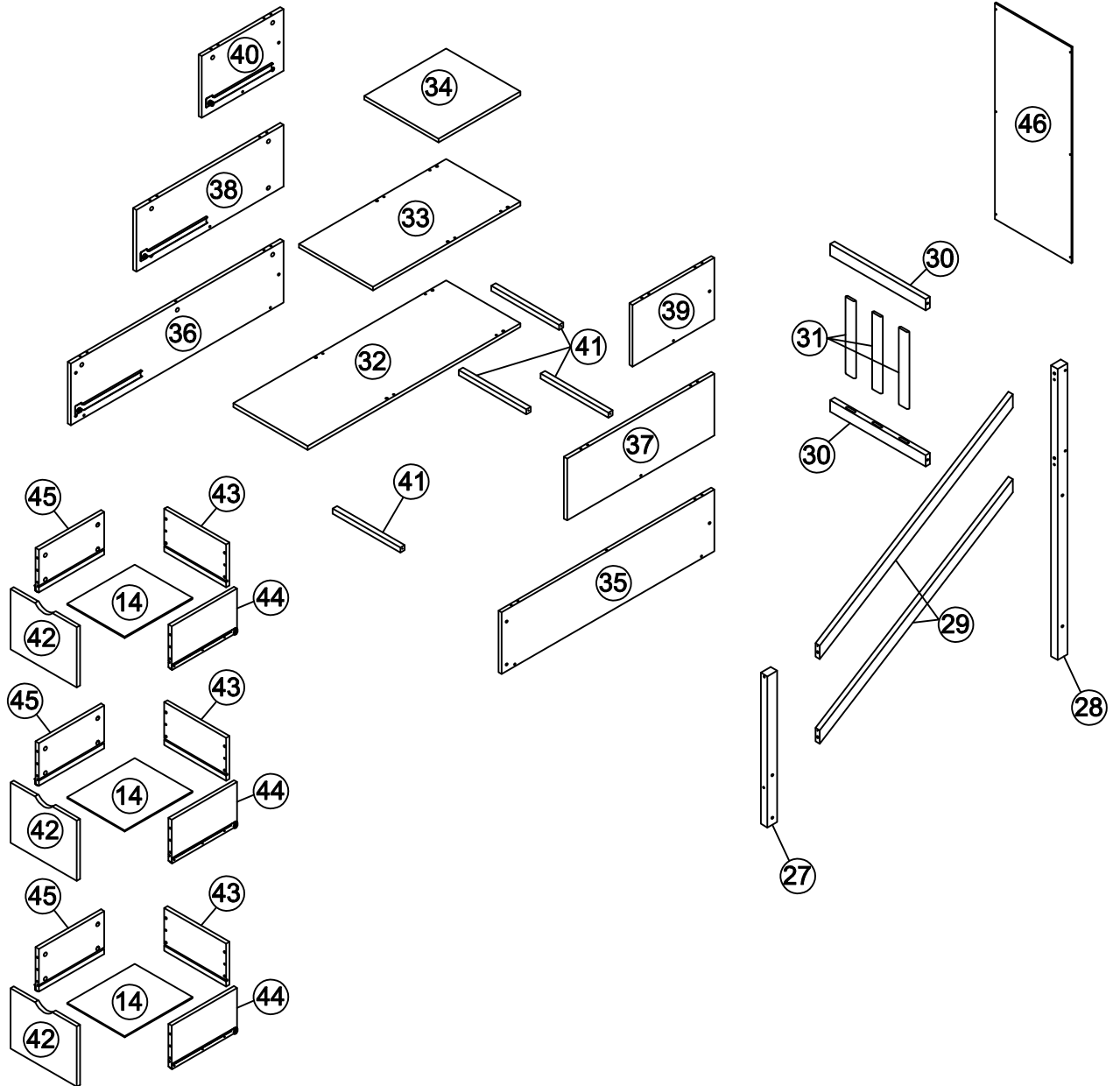
finally tighten all the screws. If some issues happened that some screws can not target to the hole or some parts are difficult to install, please adjust the tightness of the screws.

4. 2 people are recommended to finish.

ASSEMBLY INSTRUCTIONS

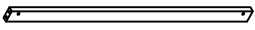
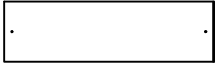
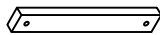
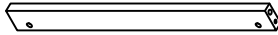
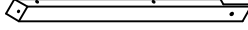
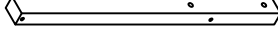
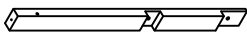

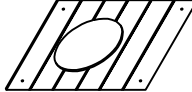
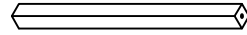
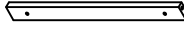
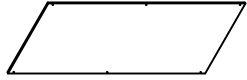
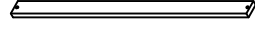


ASSEMBLY INSTRUCTIONS

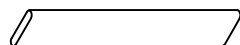

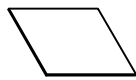

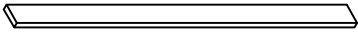

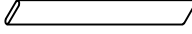

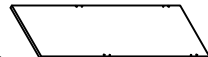





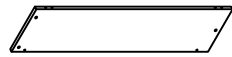
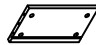



ASSEMBLY INSTRUCTIONS

N606P171100

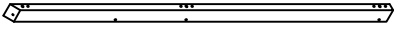
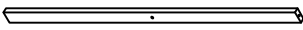
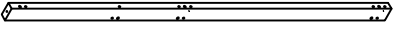

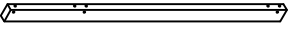
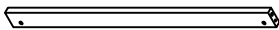
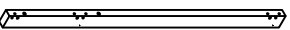
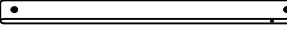
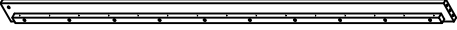
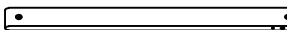

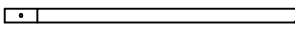
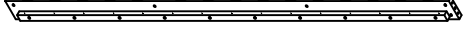
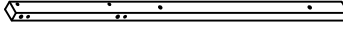


12	Upper headboard frames 	2pcs	22	Roof panels 	4pcs
13	Upper guardrails support 	2pcs	26	Roof top & back supports 	2pcs
15	Roof bottom front support 	1pc	27	Storage ladder support 	1pc
16	Roof bottom back support 	1pc	30	Upper & lower back frame 	2pcs
17	Upper window panel 	1pc	41	Storage ladders support 	4pcs
18	Top front support 	1pc	46	Back shelves panels 	1pc
21	Slats (Upper 15pcs / lower 15pcs) 	30pcs			

N606P171101

8	Frame bars 	41pcs	37	Storage ladder side panel 	1pc
14	Drawer bottom panels 	3pcs	38	Storage ladder side panel 	1pc
20	Slats 	4pcs	39	Storage ladder side panel 	1pc
31	Center back frames 	3pcs	40	Storage ladder side panel 	1pc
32	Storage ladder lower panel 	1pc	42	Drawer front panels 	3pcs
33	Storage ladder center panel 	1pc	43	Drawer back panels 	3pcs
34	Storage ladder top panel 	1pc	44	Drawer right panels 	3pcs
35	Storage ladder side panel 	1pc	45	Drawer left panels 	3pcs
36	Storage ladder side panel 	1pc			








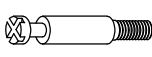









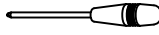

ASSEMBLY INSTRUCTIONS

N606P171102 (Hardware in this SKU)

1	 Left front leg	1pc	10	 Upper front guardrail	1pc
2	 Left back leg	1pc	11	 Upper headboard frames	2pcs
3	 Right front leg	1pc	19	 Lower headboard frames	2pcs
4	 Right back leg	1pc	23	 Roof front support	1pc
5	 Lower side rails	2pcs	24	 Roof front support	1pc
6	 Upper side rail (Front)	1pc	25	 Roof back support	2pcs
7	 Upper side rail (Back)	1pc	28	 Left back frame	1pc
9	 Upper back guardrail	1pc	29	 Ladder rails	2pcs

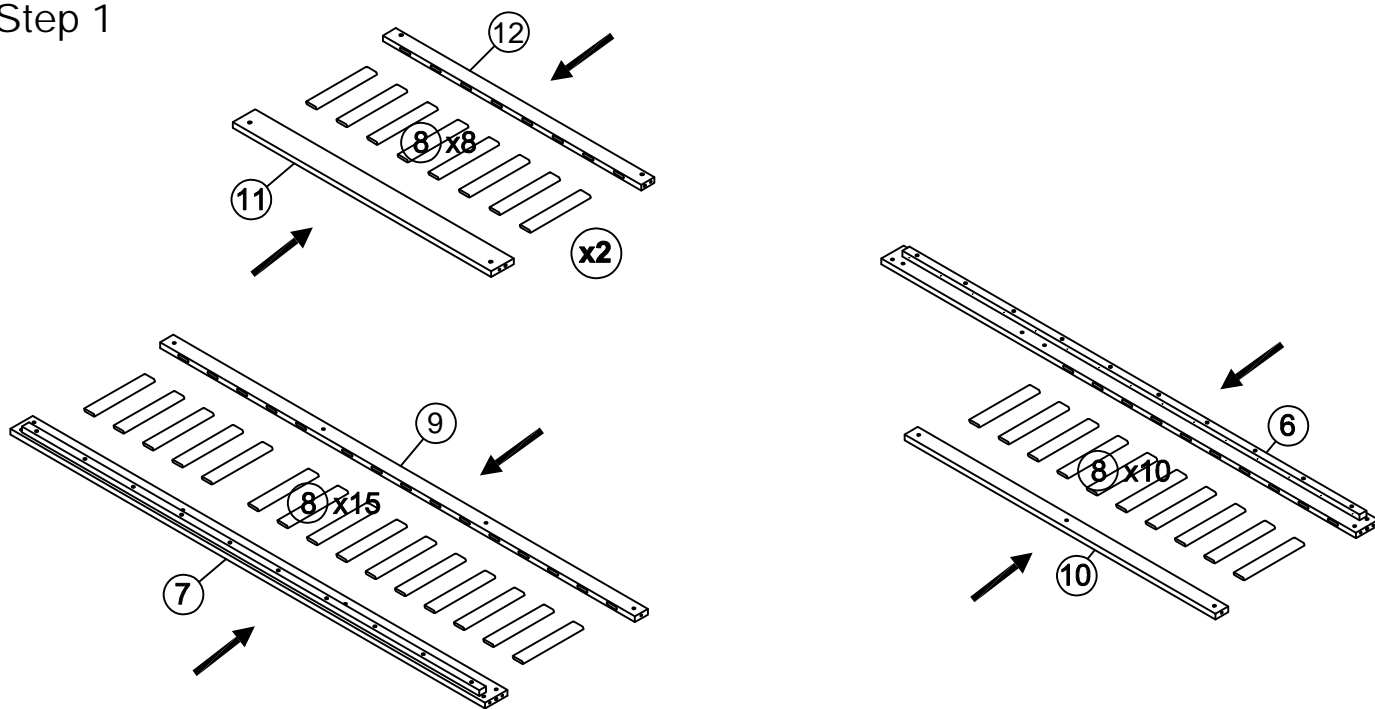
ASSEMBLY INSTRUCTIONS

List der Hardware (N606P171102)

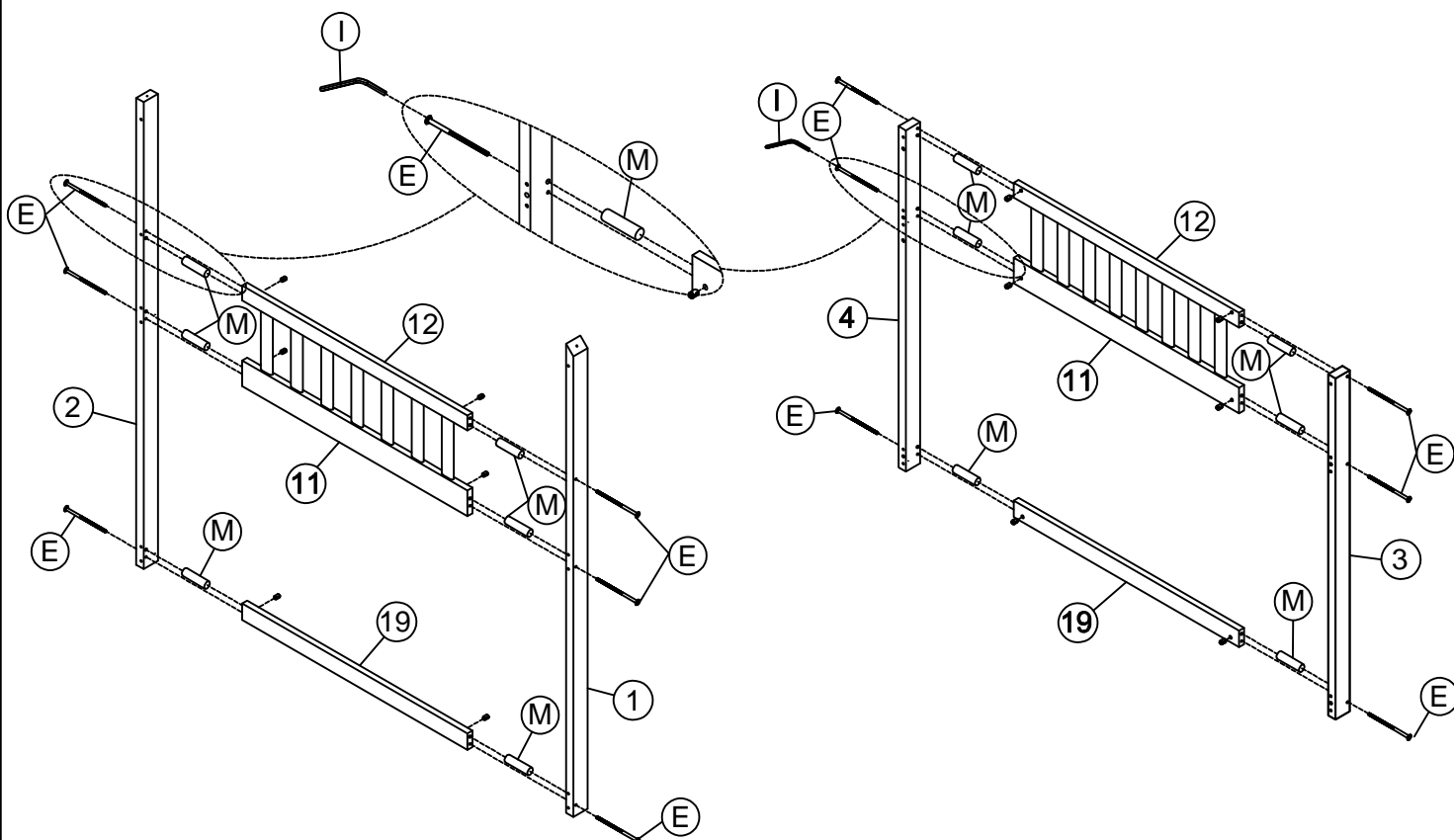
A	Ø4x30		60PCS	L	6.5x40		2PCS
B	Ø4x20		8PCS	M	Ø10x40		30PCS
C	1/4x110		26PCS	N	Ø8x30		32PCS
D	1/4x100		2PCS	O	Ø 6.5x35		46PCS
E	1/4x75		14PCS	P	Ø12x10		46PCS
G	1/4x35		8PCS	Q	Ø4x15		16PCS
H	1/4x25		7PCS	R	Ø3.5x12		8PCS
I	4x58		1PC	S	15x15x2		9PCS
J	6.5x90		4PCS	Benötigte Werkzeuge (nicht von uns gestellt)			
K	6.5x50		12PCS				

ASSEMBLY INSTRUCTIONS

Step 1



Step 2



M

Ø10x40



12PCS

E

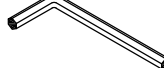
1/4x75



12PCS

I

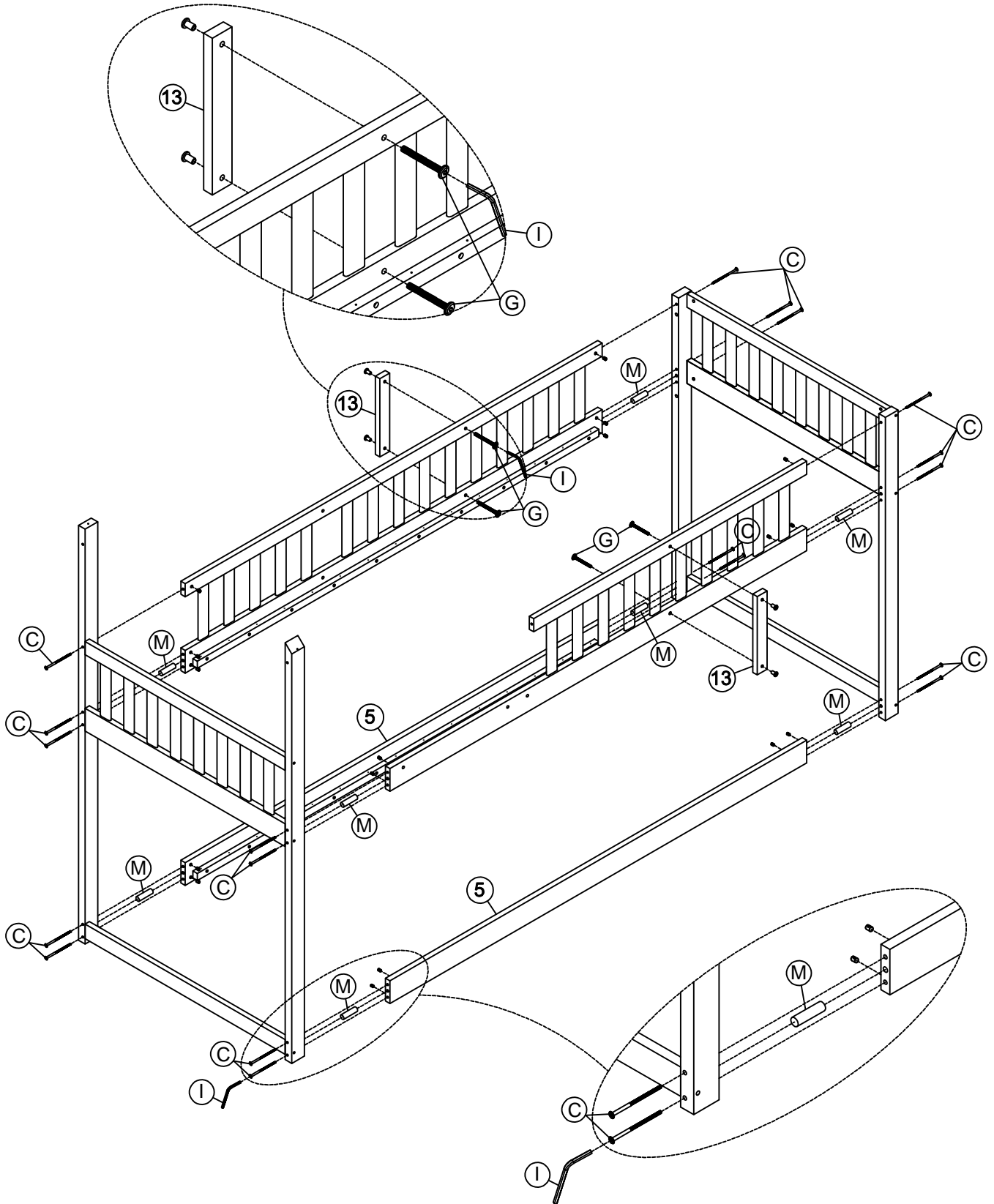
4x58


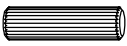




1PC

ASSEMBLY INSTRUCTIONS

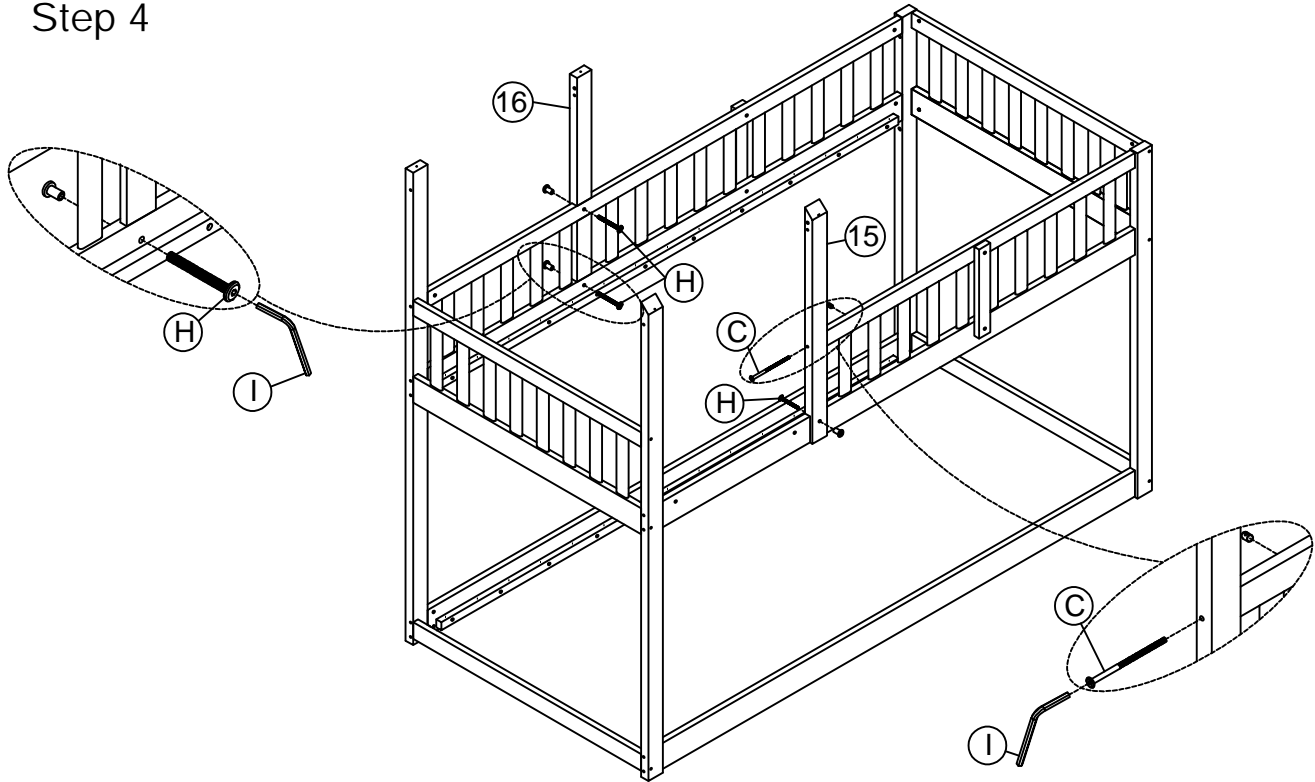
Step 3






C	1/4x110 	19PCS	M	Ø10x40 	8PCS
G	1/4x35 	4PCS	I	4x58 	1PC

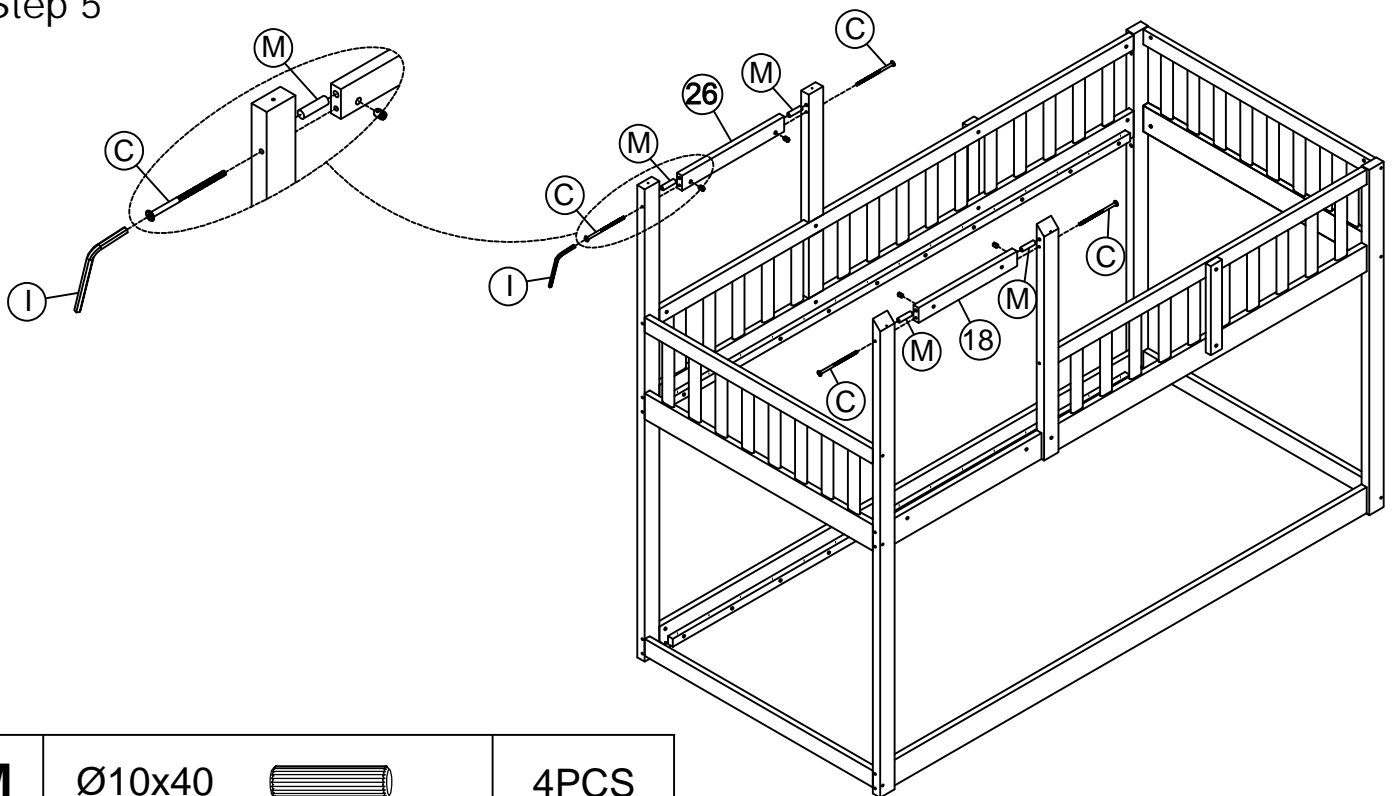
ASSEMBLY INSTRUCTIONS



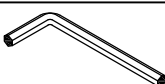
Step 4



H	1/4x25		3PCS				
C	1/4x110		1PC	I	4x58		1PC

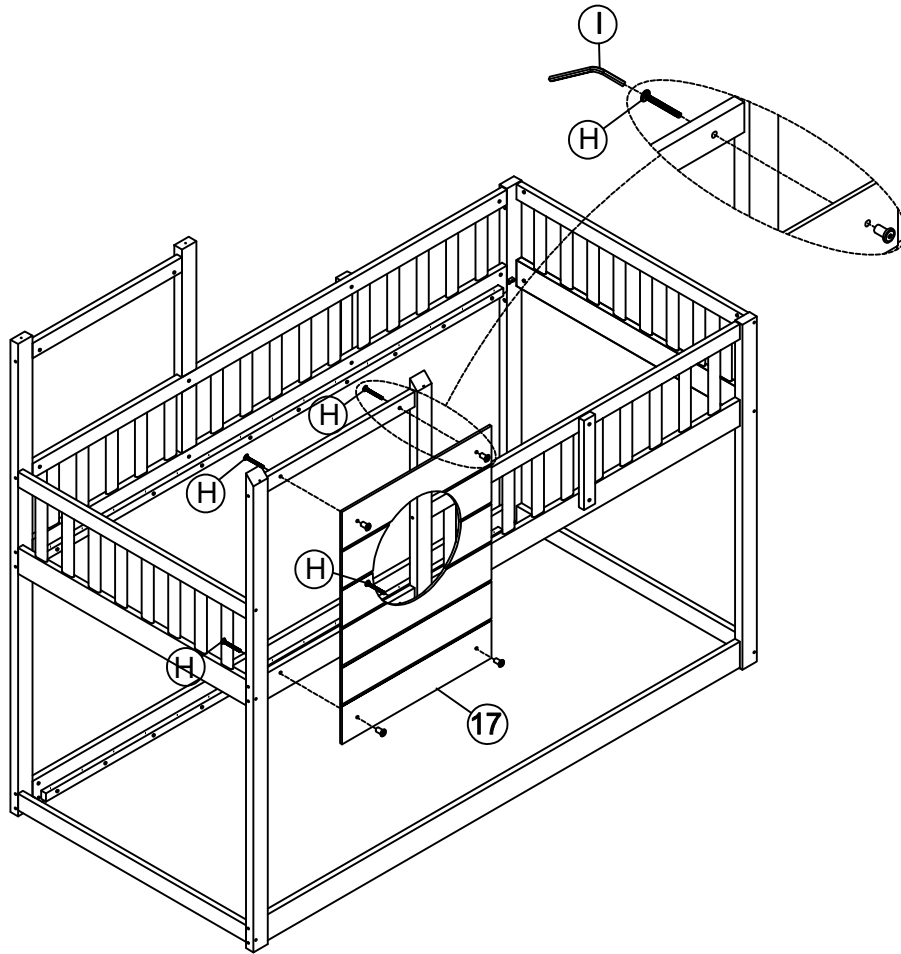
Step 5





M	Ø10x40		4PCS				
C	1/4x110		4PCS	I	4x58		1PC

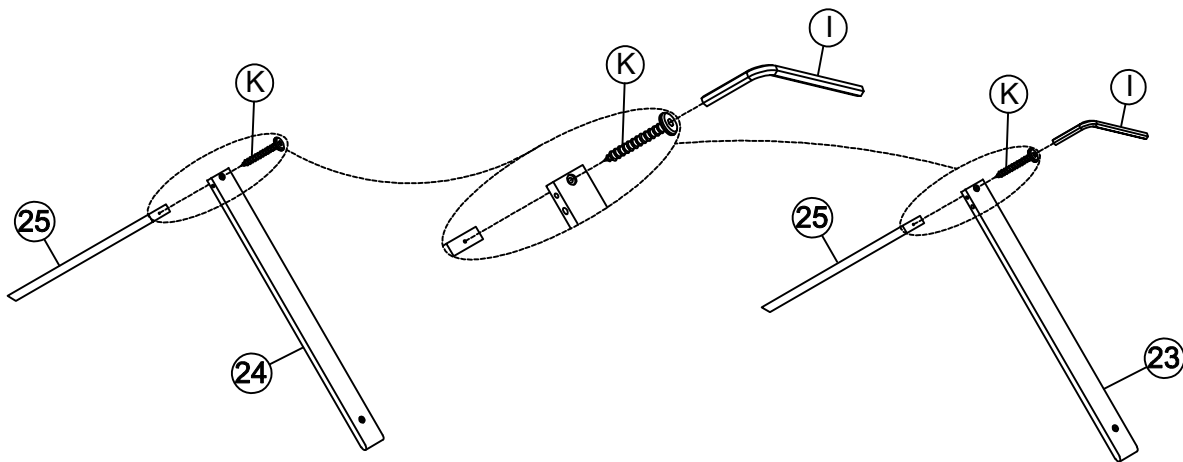
ASSEMBLY INSTRUCTIONS



Step 6



H	1/4x25		4PCS	I	4x58		1PC
----------	--------	---	------	----------	------	---	-----

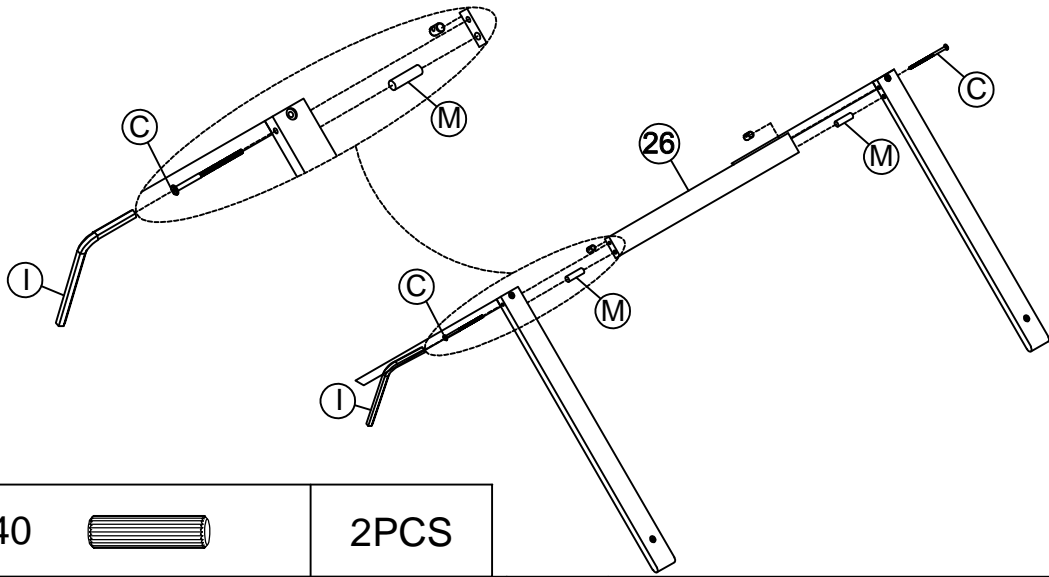
Step 7






K	6.5x50		2PCS	I	4x58		1PC
----------	--------	---	------	----------	------	---	-----

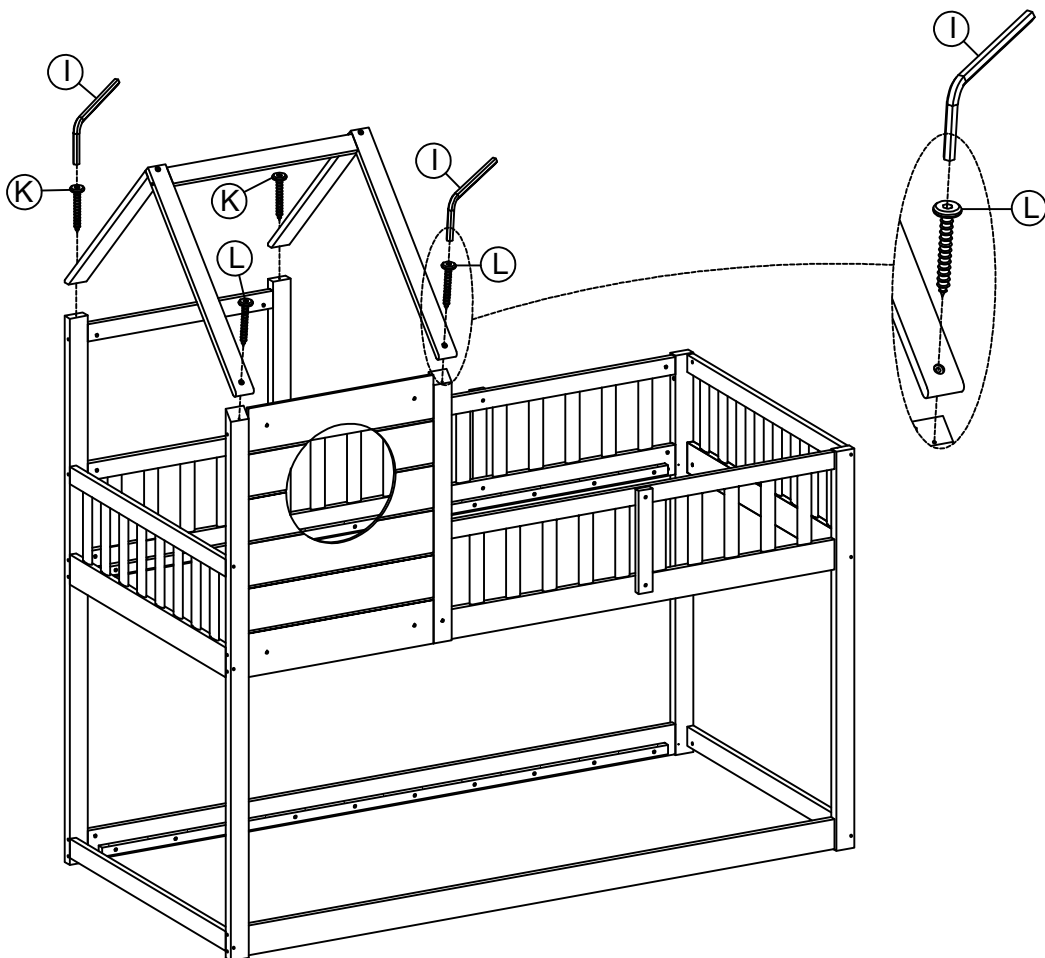
ASSEMBLY INSTRUCTIONS




Step 8



M	Ø10x40		2PCS				
C	1/4x110		2PCS	I	4x58		1PC

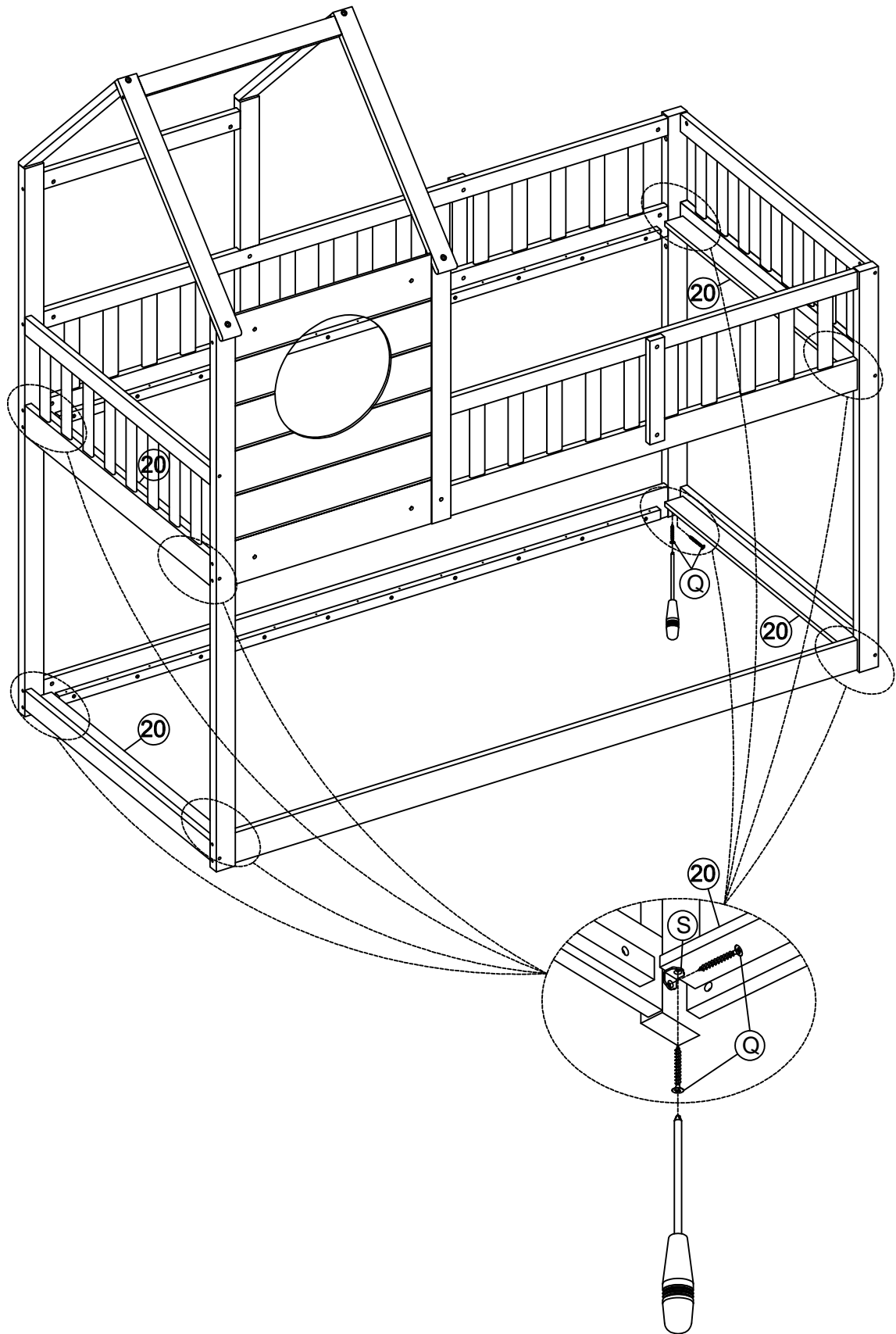
Step 9



				L	6.5x40		2PCS
K	6.5x50		2PCS	I	4x58		1PC

ASSEMBLY INSTRUCTIONS

Step 10



S 15x15x2



8PCS

Q

Ø4x15

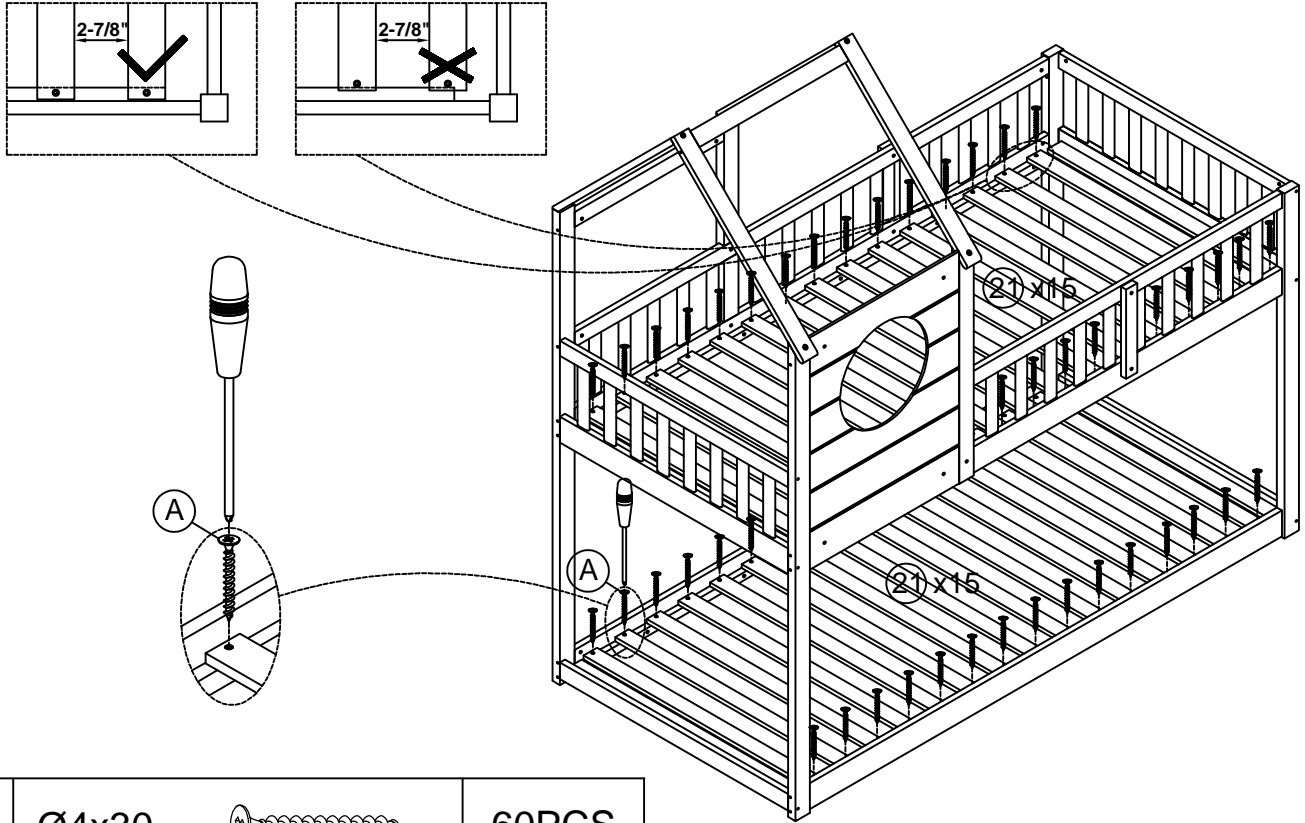


16PCS

ASSEMBLY INSTRUCTIONS

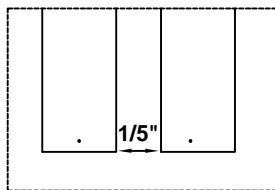
Step 11

Befestigen Sie zunächst 2 Stück von Teil 21 an der Vorderseite und am Ende des Rahmens zwischen dem Kopfteil.
Dann befestigen Sie das restliche Teil 21 gleichmäßig zwischen dem Kopfteil.

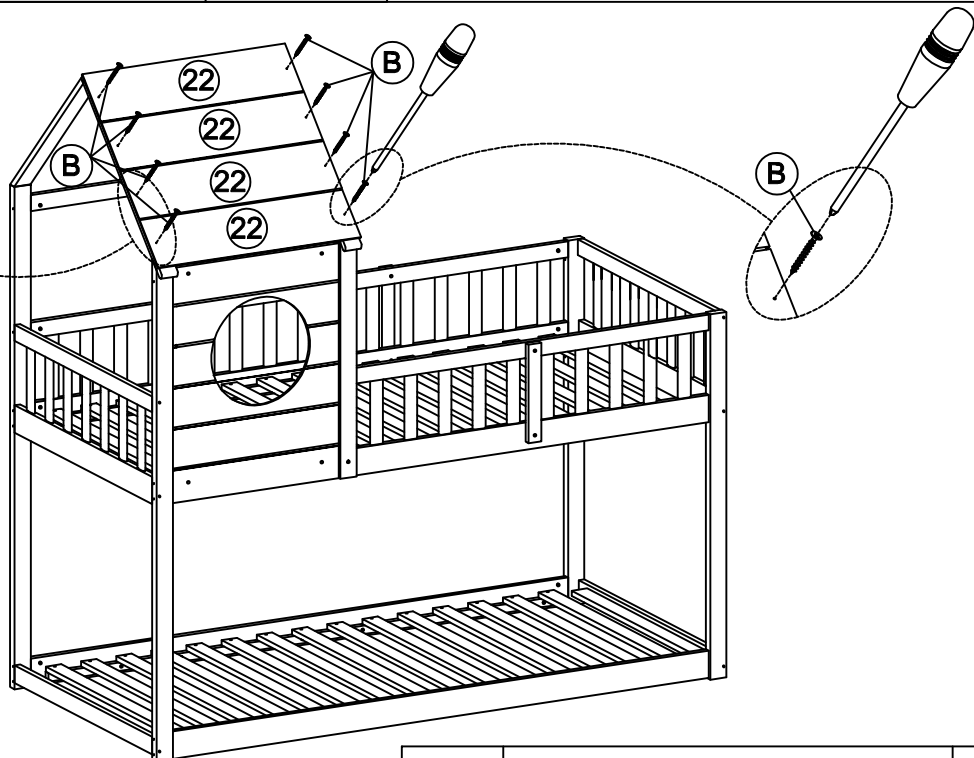


A Ø4x30  60PCS

Step 12



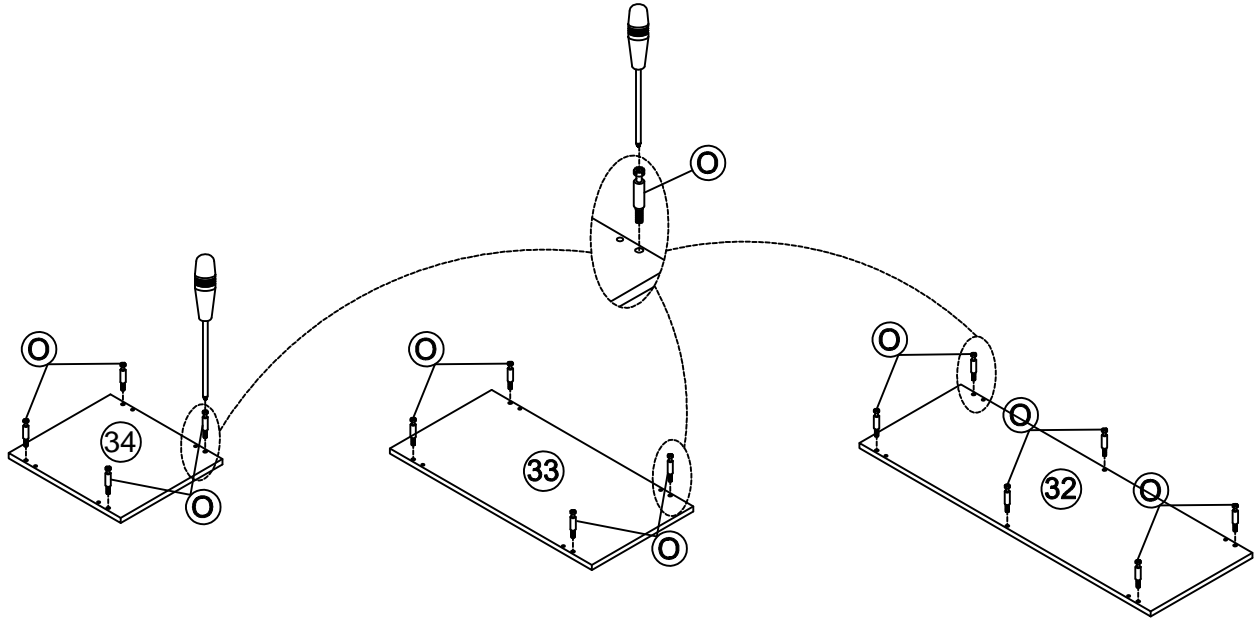
The distance between the numbers 22 is 1/5 inch

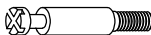


B Ø4x20  8PCS

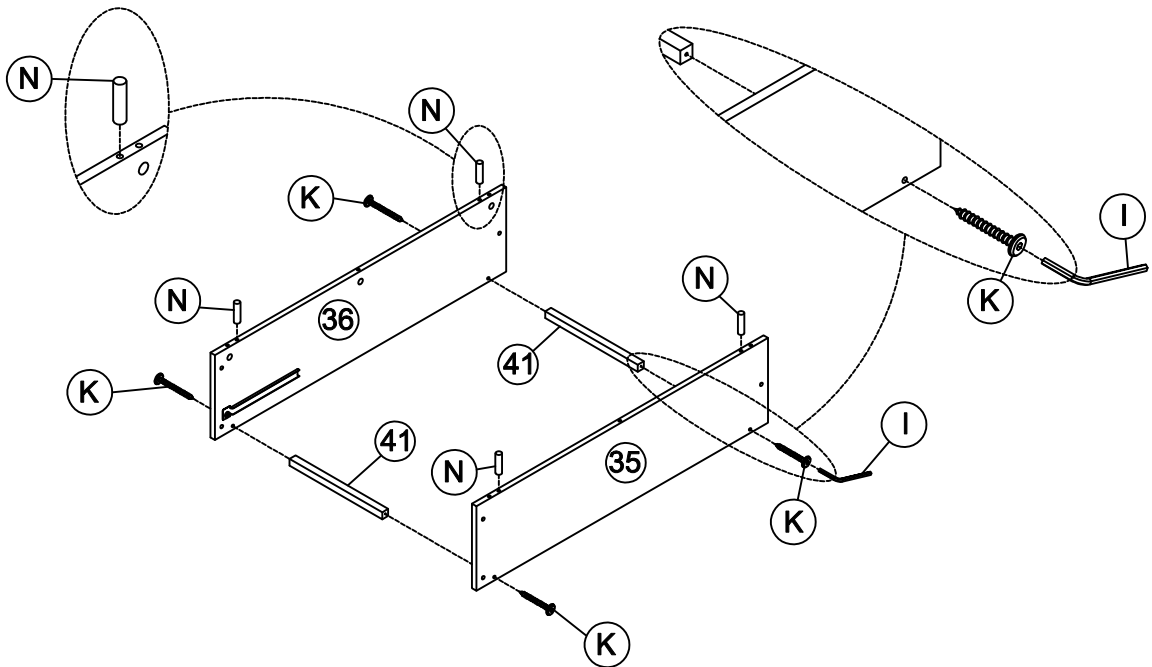
ASSEMBLY INSTRUCTIONS




Step 13



O	Ø 6.5x35		14PCS
----------	----------	---	-------

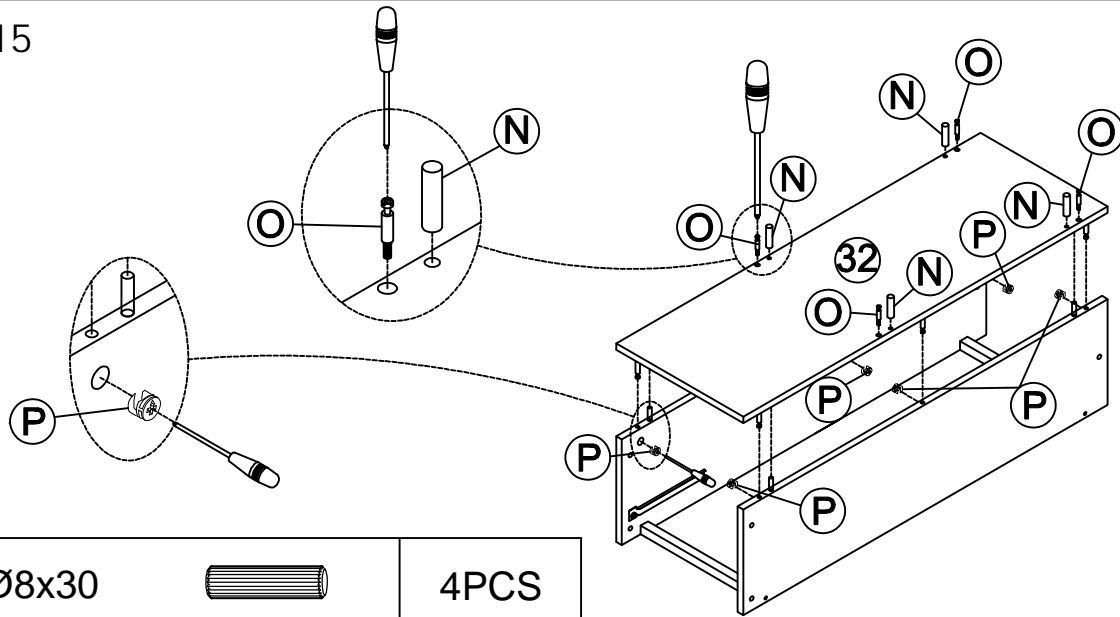
Step 14


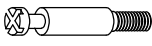



N	Ø8x30		4PCS
K	6.5x50		4PCS
I	4x58		1PC

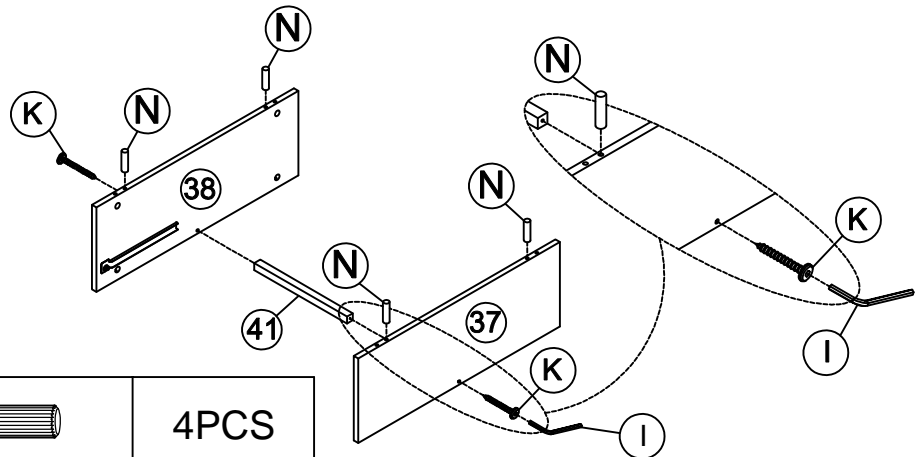
ASSEMBLY INSTRUCTIONS




Step 15



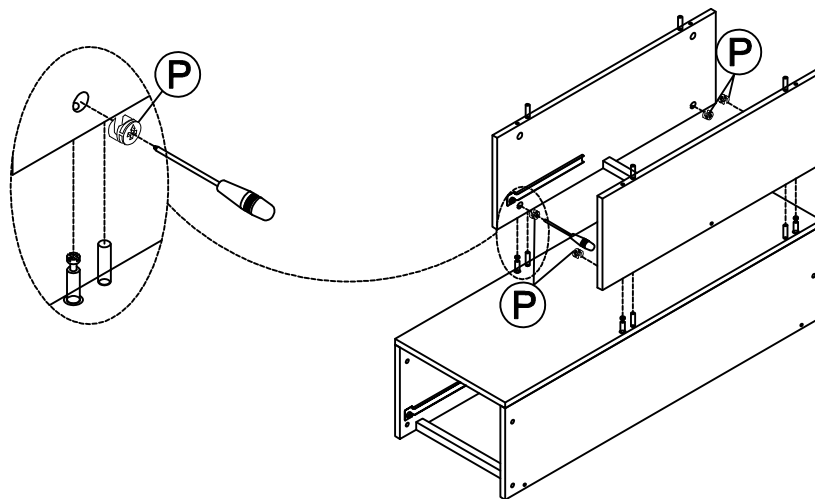
N	Ø8x30		4PCS			
O	Ø 6.5x35		4PCS	P	Ø12x10	 6PCS


Step 16



N	Ø8x30		4PCS			
K	6.5x50		2PCS	I	4x58	 1PC

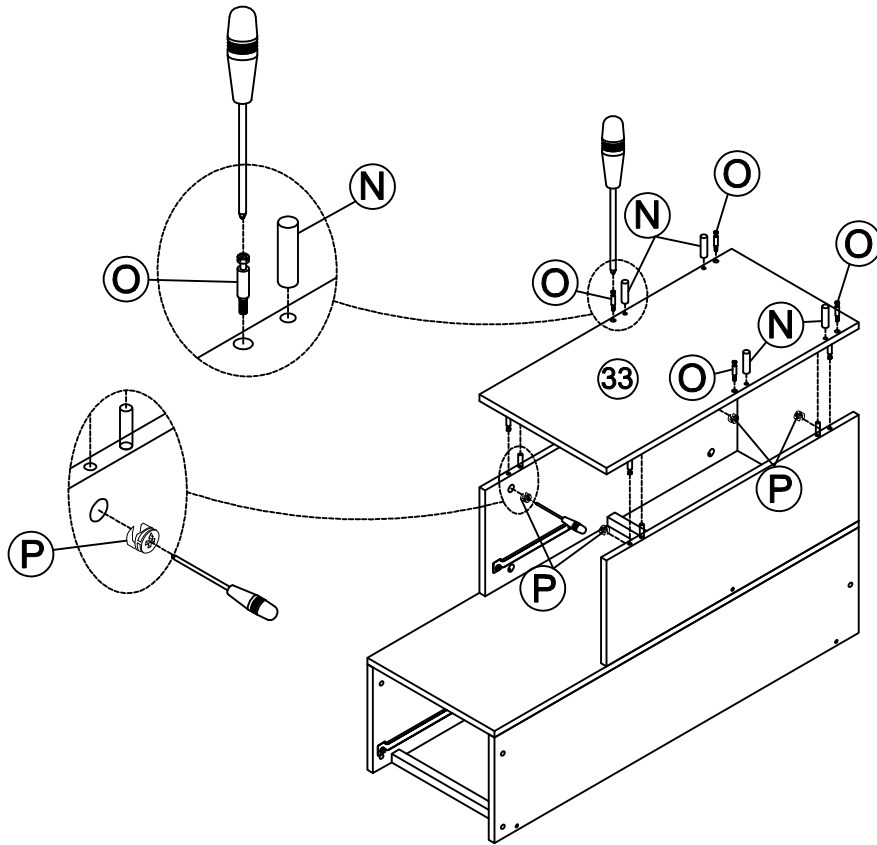
Step 17


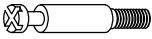



P	Ø12x10		4PCS
----------	--------	---	------

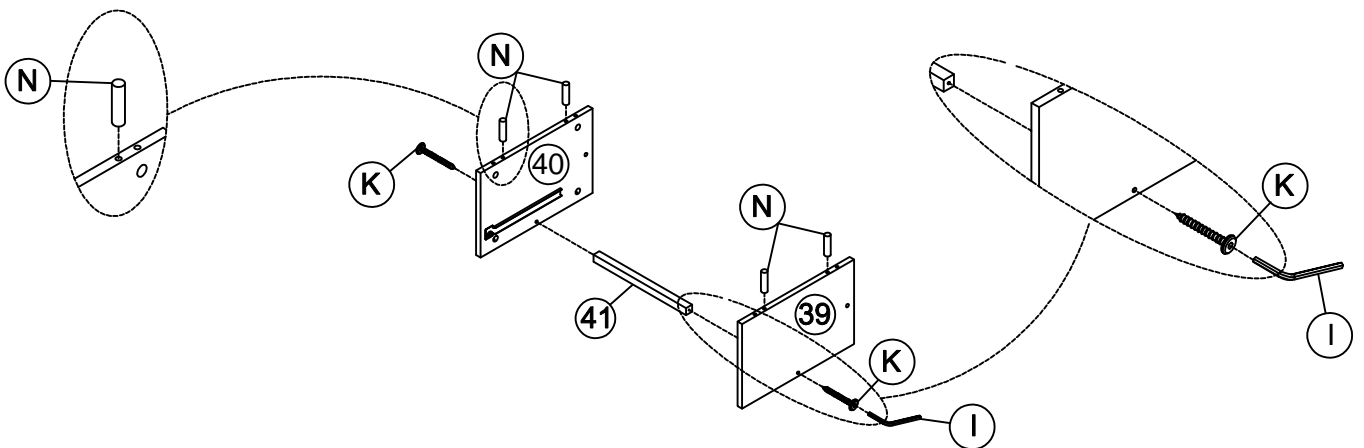
ASSEMBLY INSTRUCTIONS

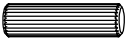


Step 18



				N	Ø8x30		4PCS
O	Ø 6.5x35		4PCS	P	Ø12x10		4PCS

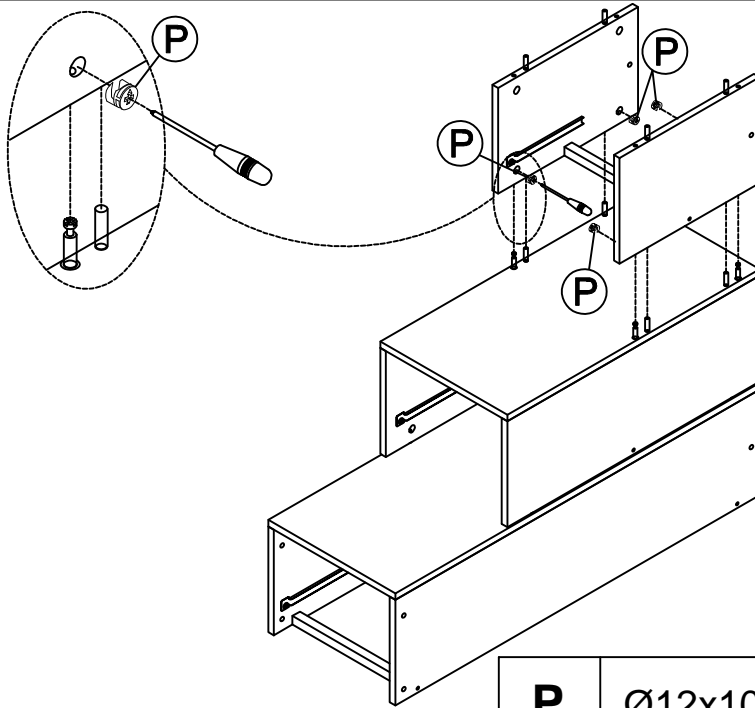
Step 19




N	Ø8x30		4PCS				
K	6.5x50		2PCS	I	4x58		1PC

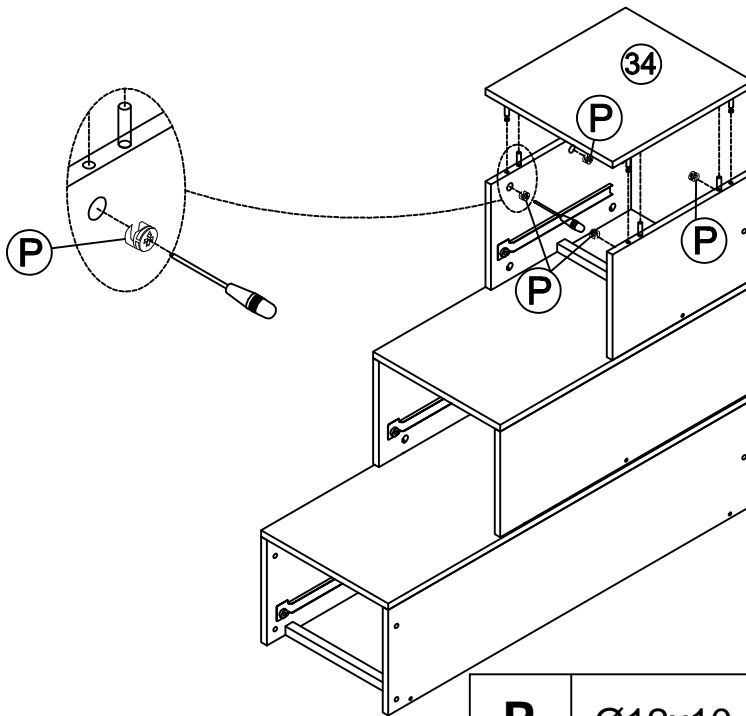
ASSEMBLY INSTRUCTIONS


Step 20



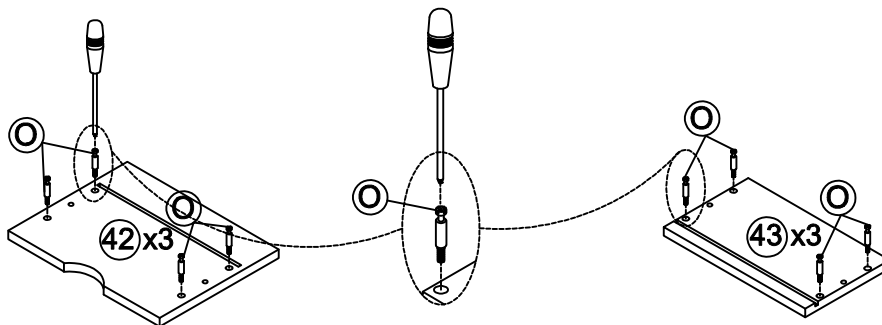
P	Ø12x10		4PCS
----------	--------	---	------

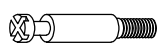
Step 21



P	Ø12x10		4PCS
----------	--------	---	------

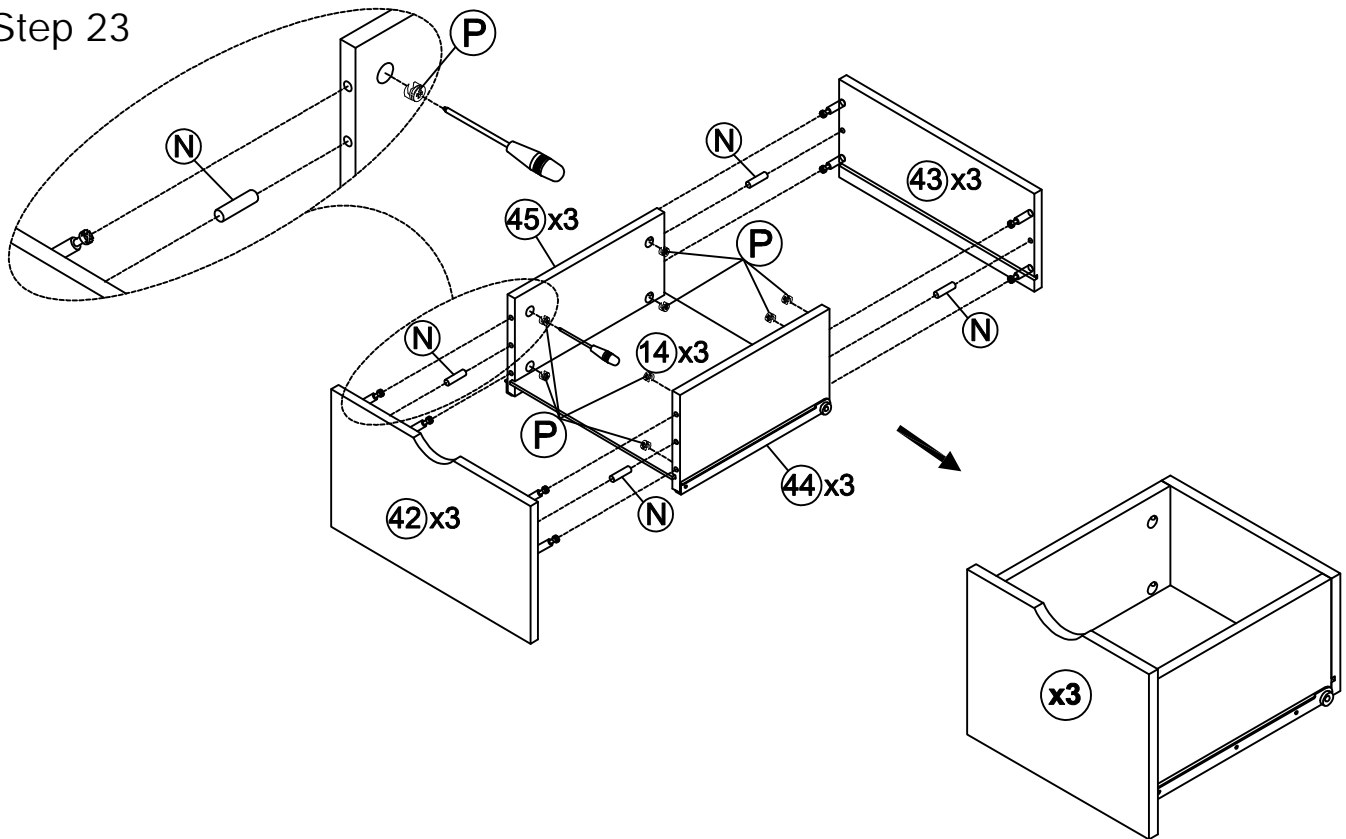
Step 22

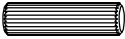



O	Ø 6.5x35		24PCS
----------	----------	---	-------

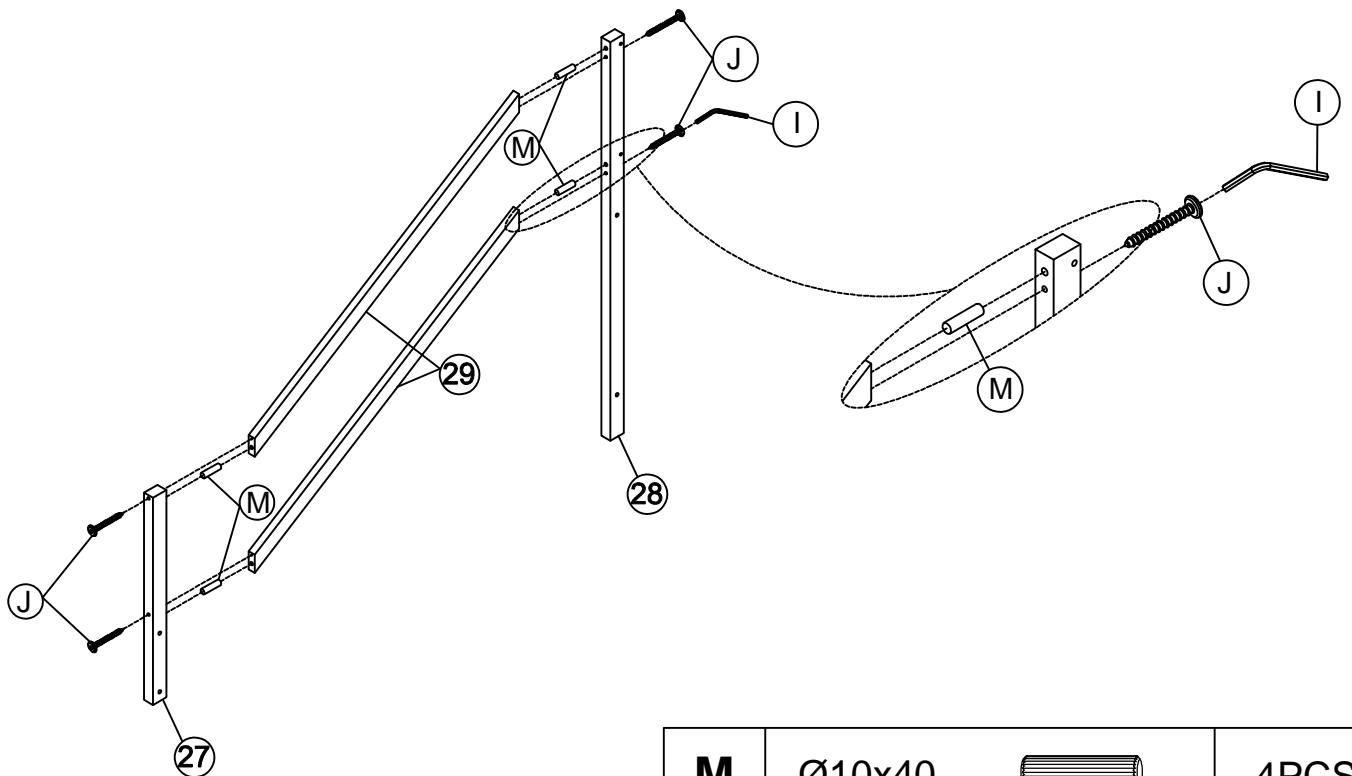
ASSEMBLY INSTRUCTIONS




Step 23



N	Ø8x30		12PCS	P	Ø12x10		24PCS
----------	-------	---	-------	----------	--------	---	-------

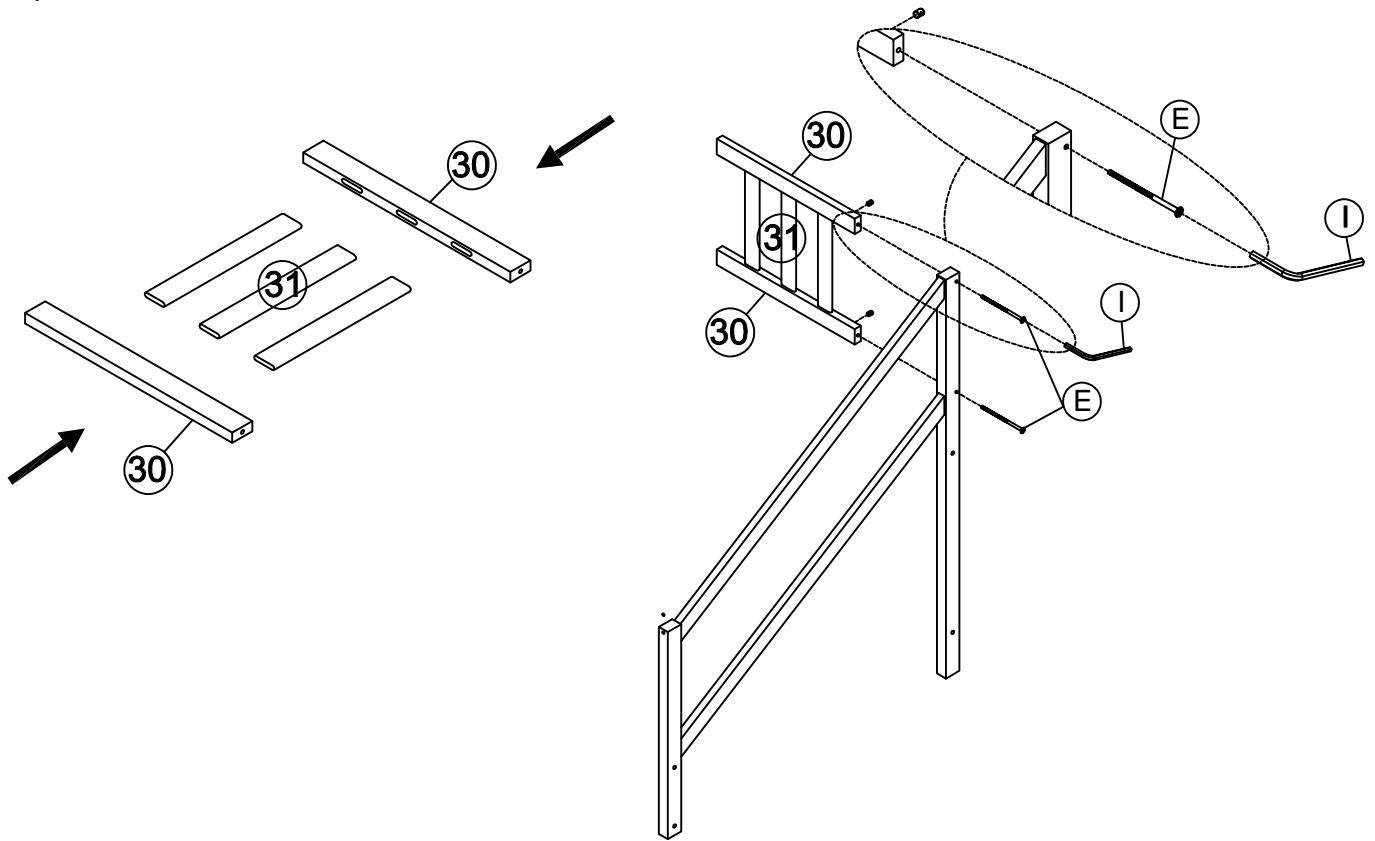
Step 24



M	Ø10x40		4PCS	J	6.5x90		4PCS	I	4x58		1PC
----------	--------	---	------	----------	--------	---	------	----------	------	---	-----

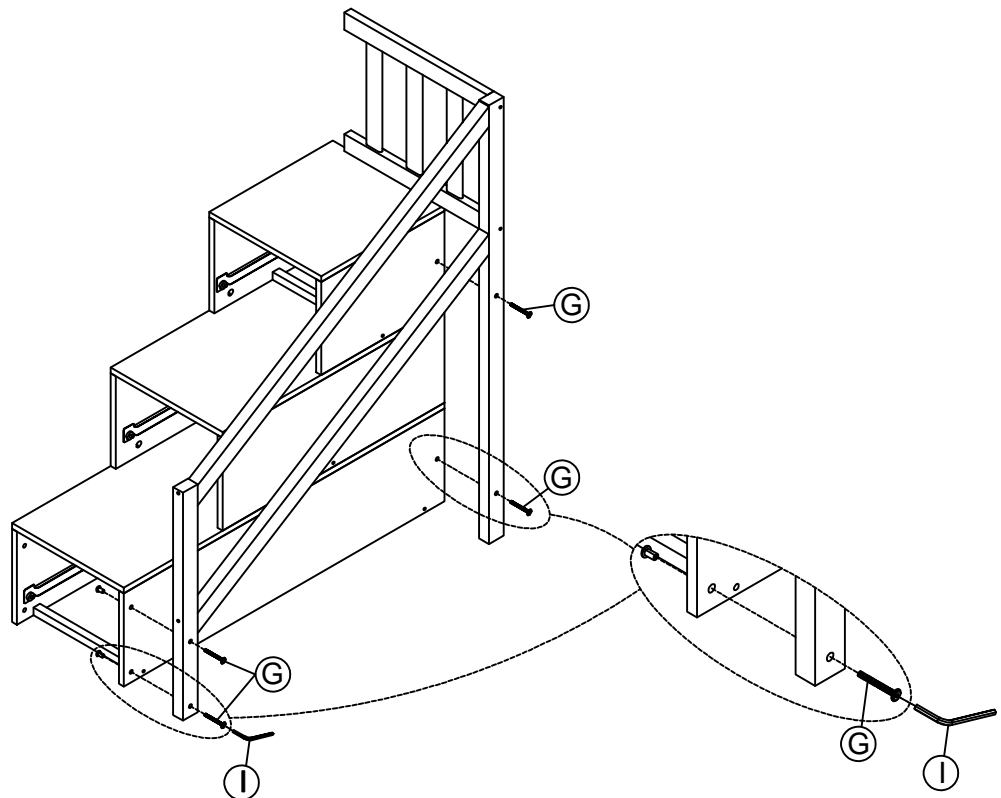
ASSEMBLY INSTRUCTIONS

Step 25



I	4x58		1PC	E	1/4x75		2PCS
----------	------	--	-----	----------	--------	--	------

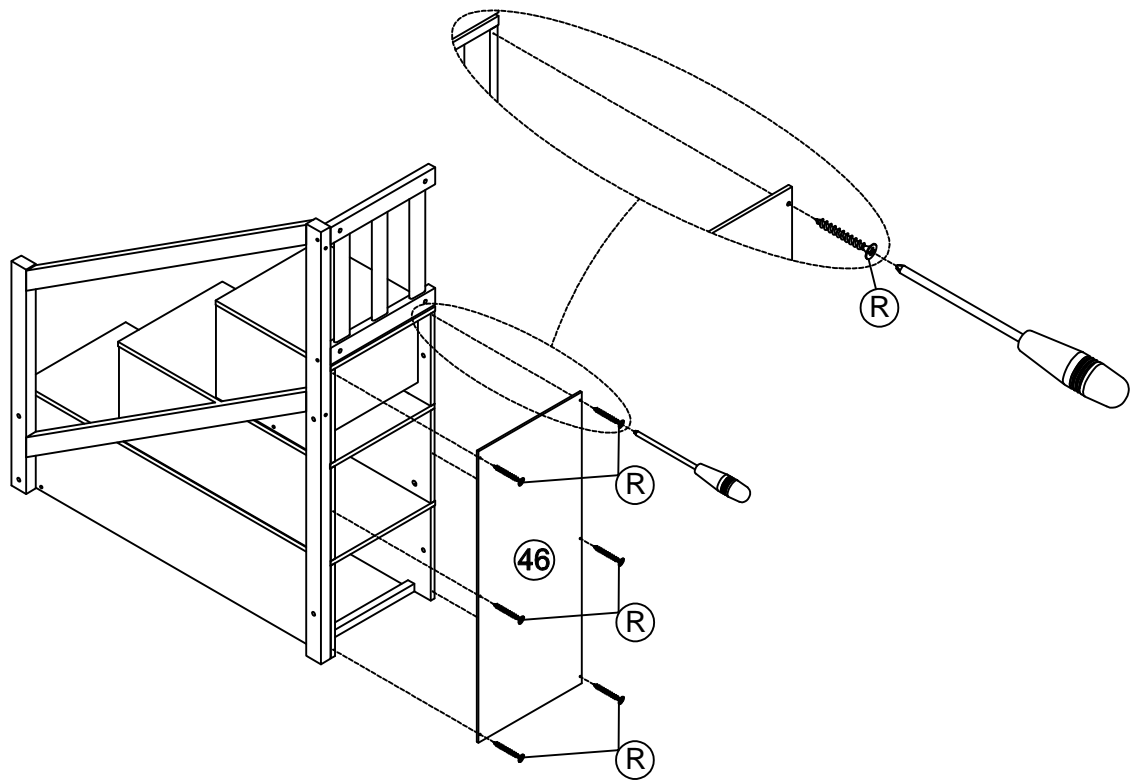
Step 26



G	1/4x35		4PCS	I	4x58		1PC
----------	--------	--	------	----------	------	--	-----

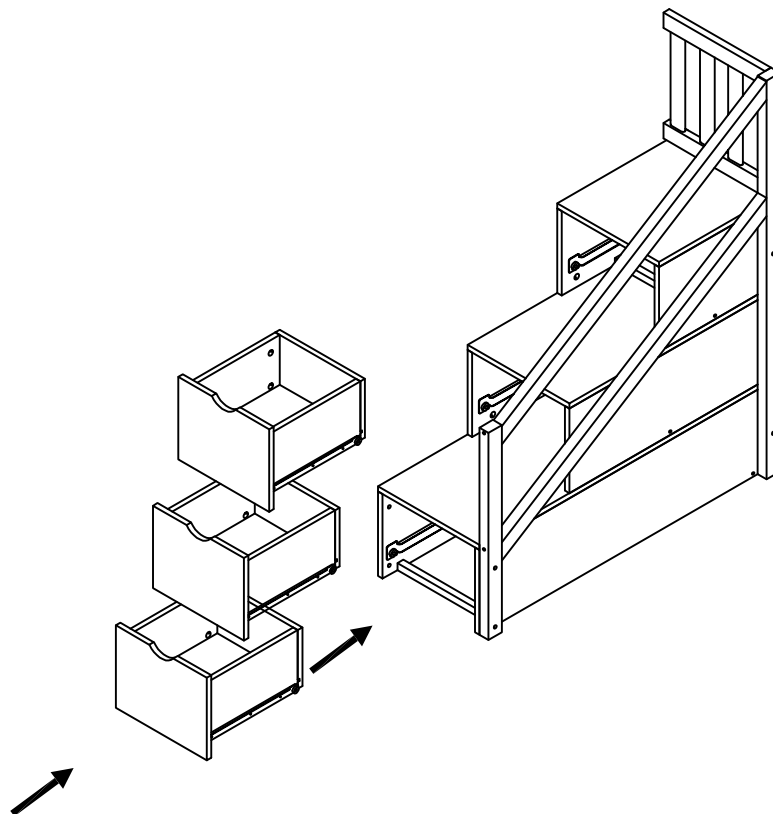
ASSEMBLY INSTRUCTIONS

Step 27



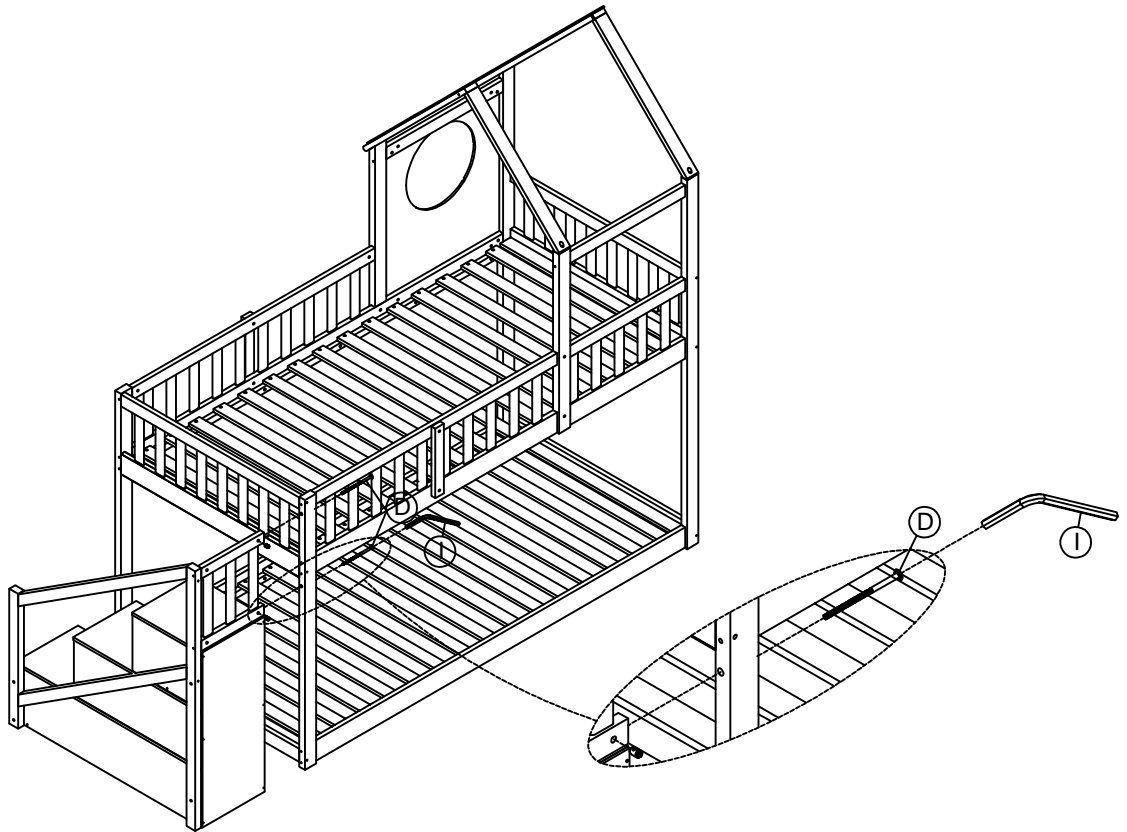
R	Ø3.5x12		6PCS
----------	---------	---	------

Step 28



ASSEMBLY INSTRUCTIONS

Step 29



I 4x58



1PC

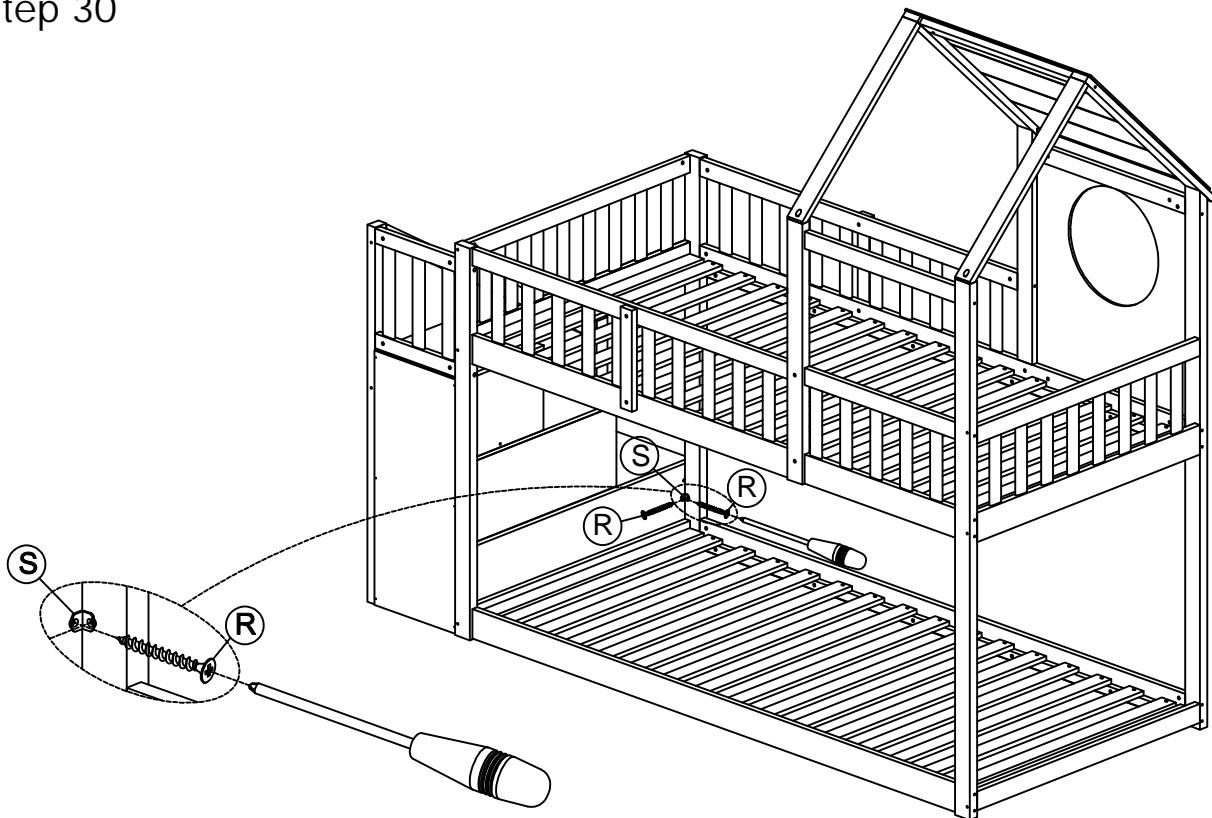
D

1/4x100



2PCS

Step 30



S 15x15x2



1PC

R

Ø3.5x12



2PCS