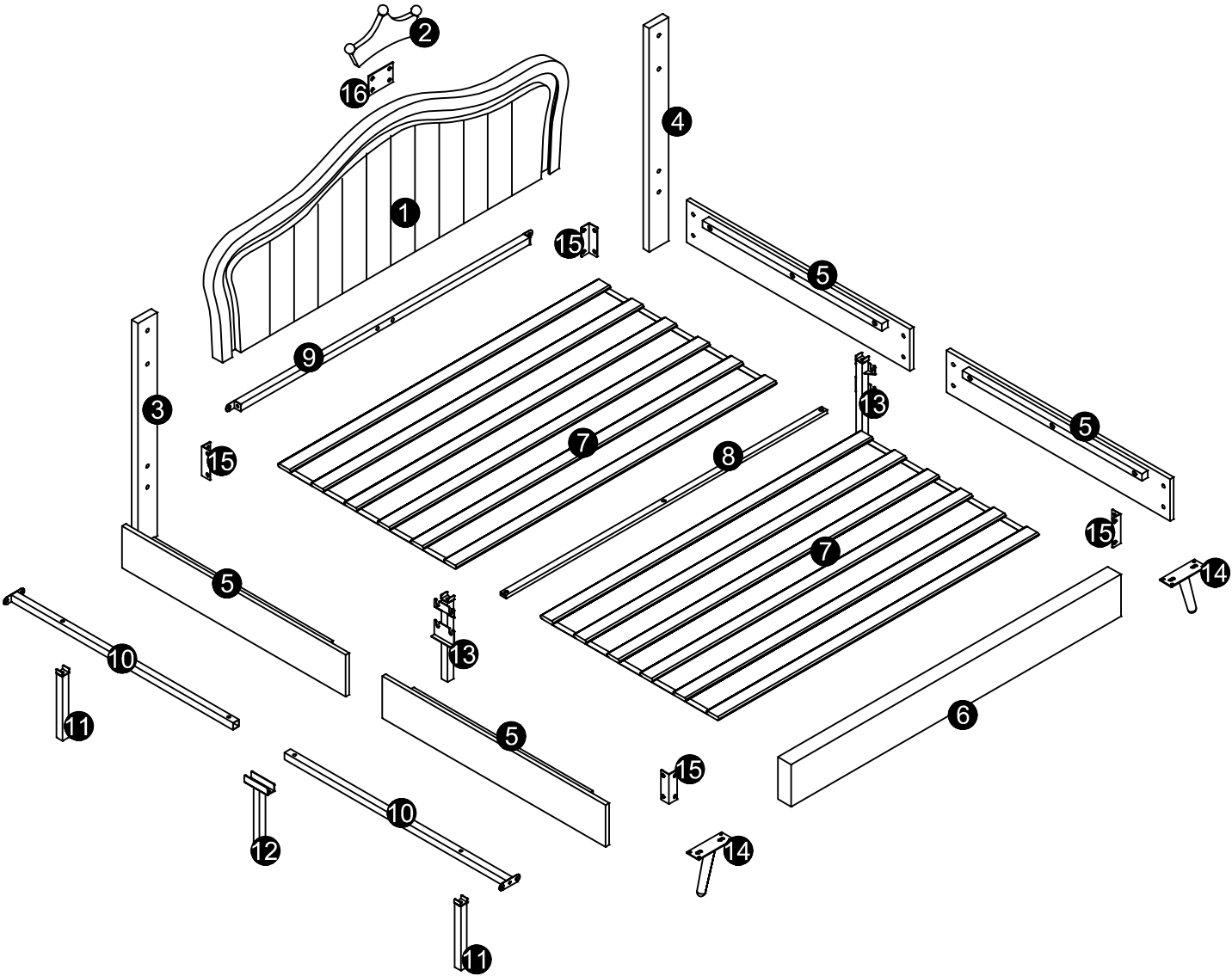


SUK:N652P265843/N652P265844



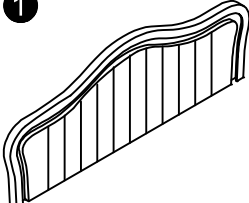

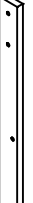
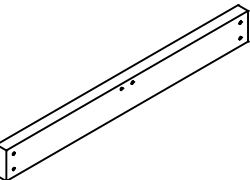
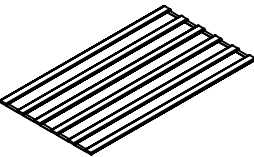
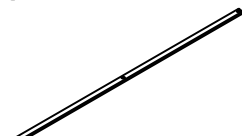
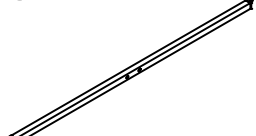
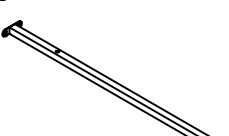
TIPS

- 1.This product is divided into 2 parcels for delivery. They may not arrive at the same time. Please wait patiently.
- 2.Please read the instructions fully before assembly. These instructions include important information which could ensure correct assembly. We have been working on providing high quality products for you. However, in the rare instance that your product is defective,missing parts or there are some issues, please don't hesitate to contact our customer service to submit parts requirements, assembly suggestion,or warranty claims, and we will give the best solution as soon as possible. If necessary, we need you to provide some more clear pictures of the issue.
- 3.Insert the screws in holes and tighten the screws, but not too tight, 70%~80% is ok, finally tighten all the screws. If some issues happened that some screws can not target to the hole or some parts are difficult to install, please adjust the tightness of the screws.
- 4.2 people are recommended to finish.



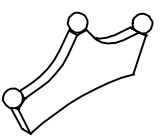
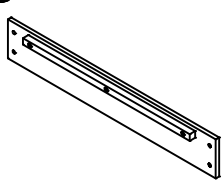

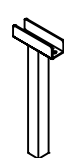
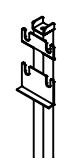
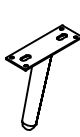
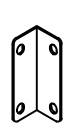
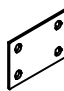
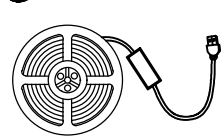

Part List N652P265843

1/1

<p>1</p>  <p>1PC</p>	<p>3</p>  <p>1PC</p>	<p>4</p>  <p>1PC</p>	<p>6</p>  <p>1PC</p>	<p>7</p>  <p>2PCS</p>
<p>8</p>  <p>1PC</p>	<p>9</p>  <p>1PC</p>	<p>10</p>  <p>2PCS</p>		

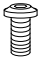
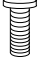
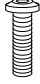
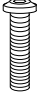


Part List N652P265844

1/2

<p>2</p>  <p>1PC</p>	<p>5</p>  <p>4PCS</p>	<p>11</p>  <p>2PCS</p>	<p>12</p>  <p>1PC</p>	<p>13</p>  <p>2PCS</p>
<p>14</p>  <p>2PCS</p>	<p>15</p>  <p>4PCS</p>	<p>16</p>  <p>1PC</p>	<p>17</p>  <p>Light strip</p> <p>1PC</p>	<p>18</p>  <p>Remote control</p> <p>1PC</p>

Part List N652P265844

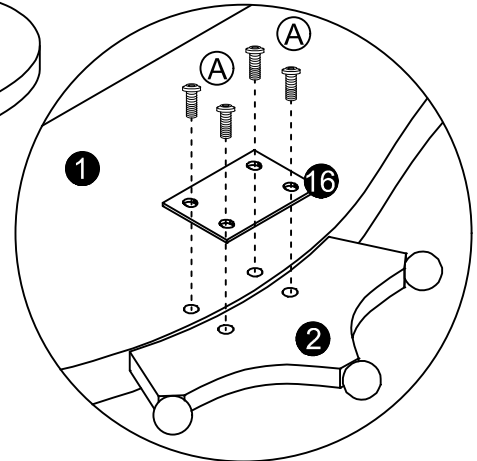
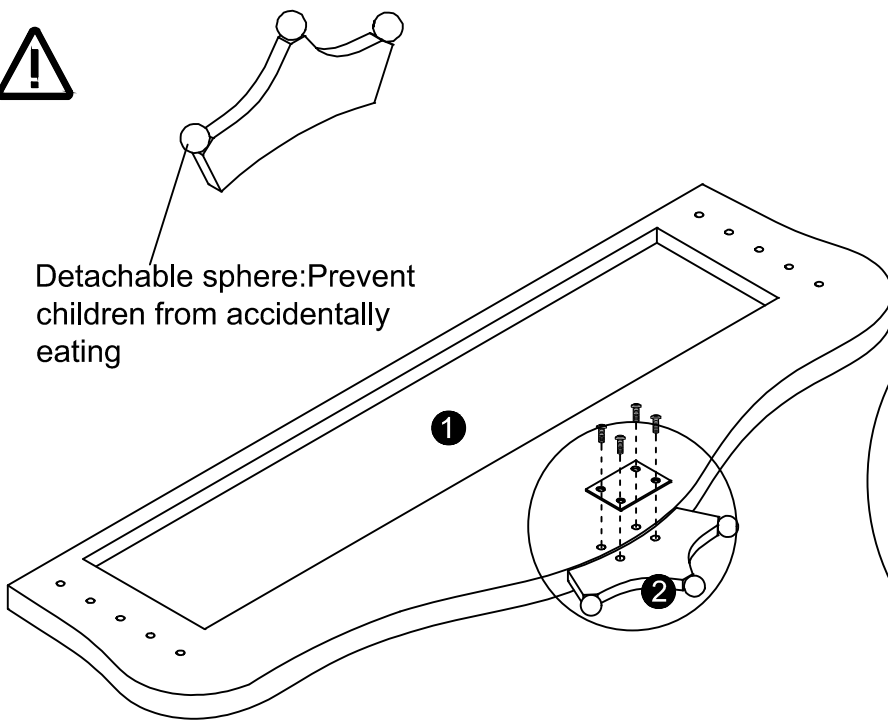
1/2

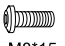
<p>(A)</p>  <p>M8*15 30+2PCS</p>	<p>(B)</p>  <p>M8*20 10+1PCS</p>	<p>(C)</p>  <p>M8*35 4+1PCS</p>	<p>(D)</p>  <p>M8*40 5+1PCS</p>	<p>(E)</p>  <p>M8*Ø22 9PCS</p>
<p>(F)</p>  <p>M8 1PC</p>				

1

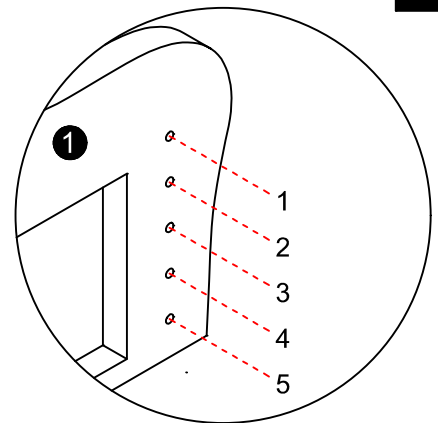
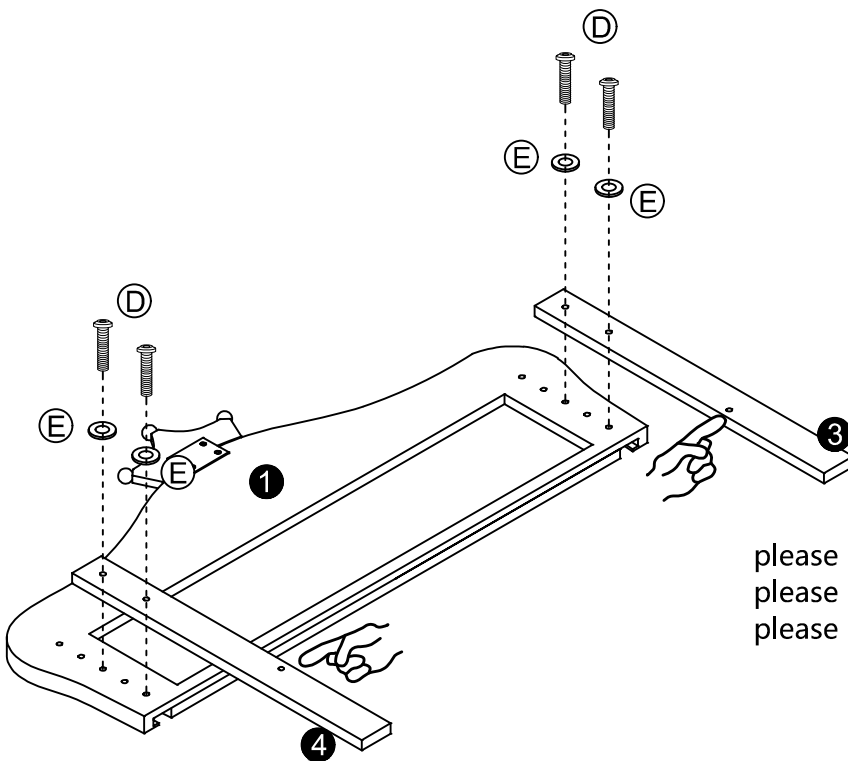


Detachable sphere: Prevent children from accidentally eating

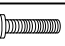



(A)		4PCS
	M8*15	

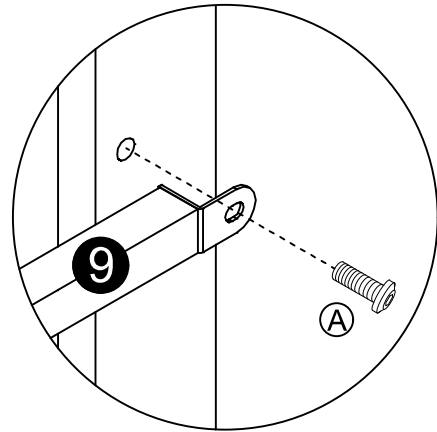
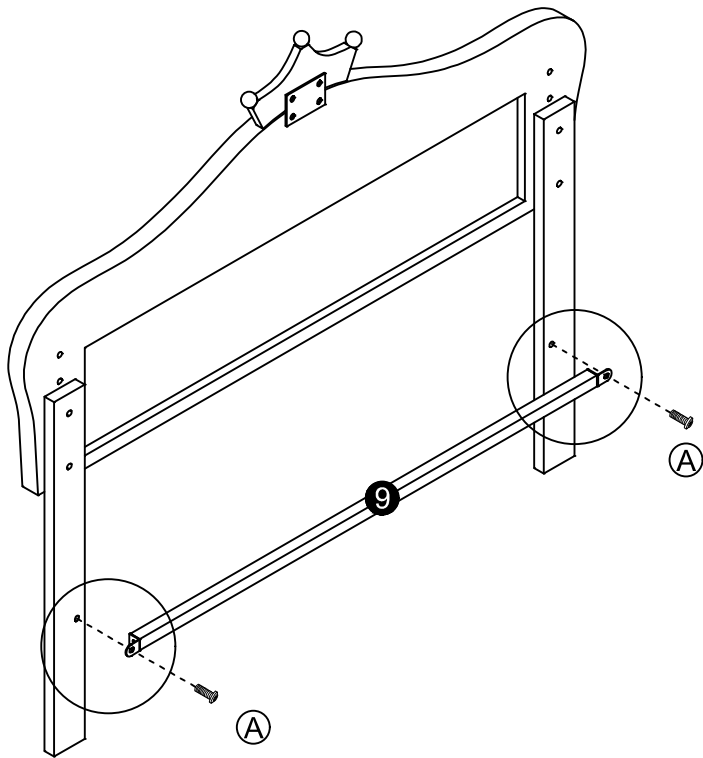
2

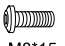


please lock position 1 and 3 for normal height
please lock position 2 and 4 for heightening
please lock position 3 and 5 for heightening

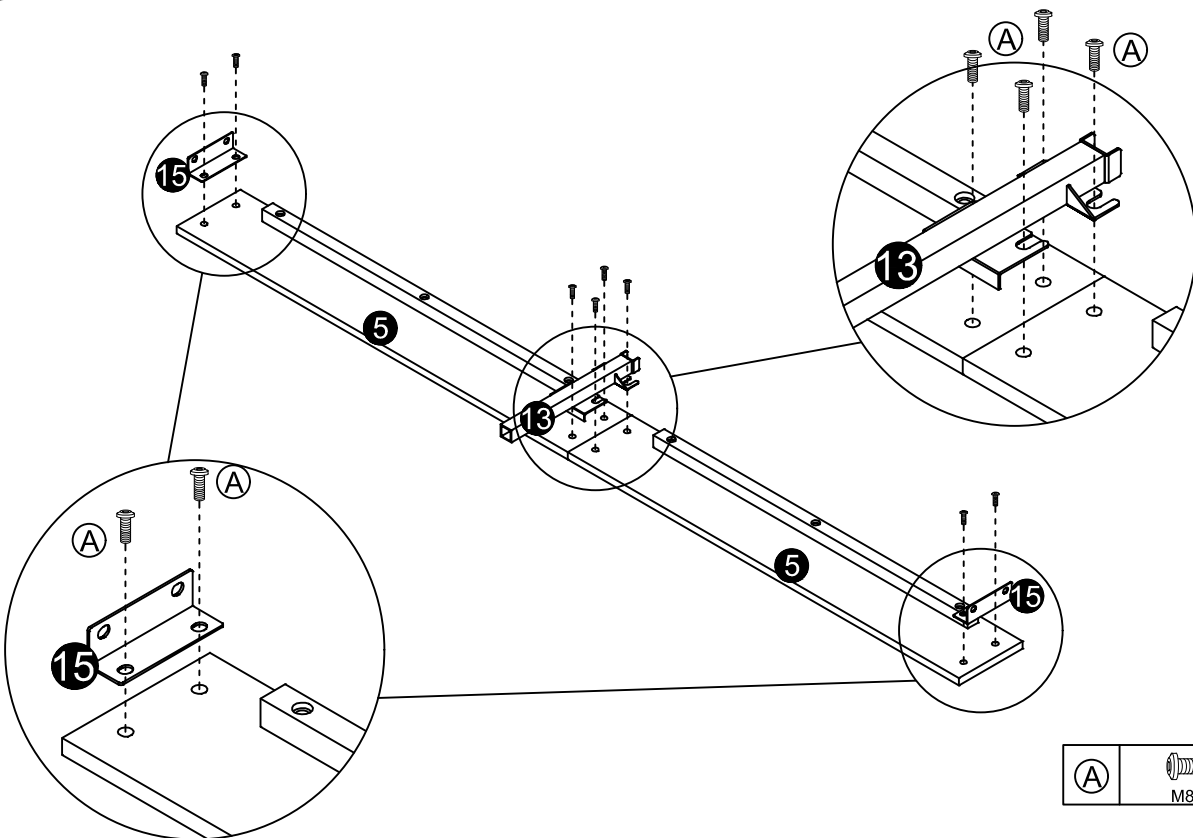
(D)		4PCS
	M8*45	
(E)		4PCS
	M8*Ø22	

3

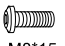


(A)		2PCS
	M8*15	

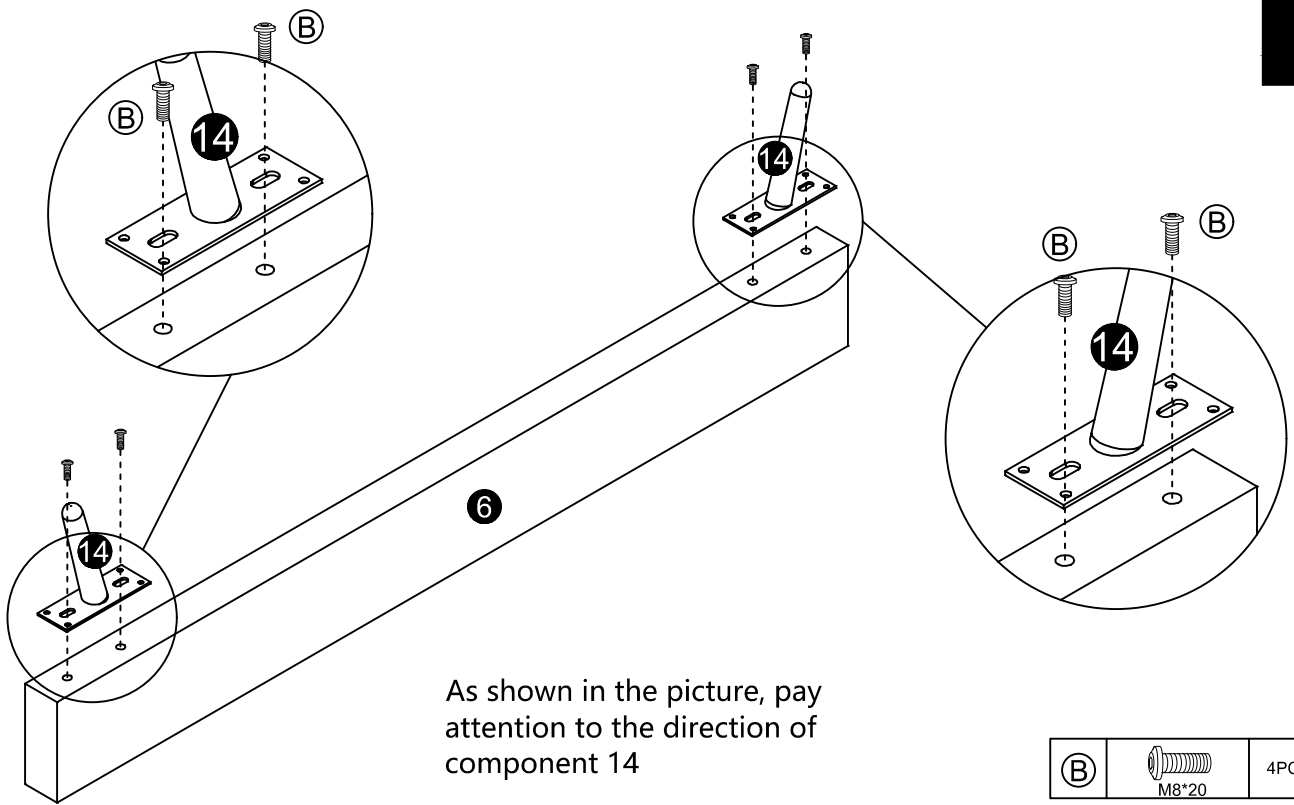
4



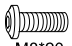
X2

(A)		16PCS
	M8*15	

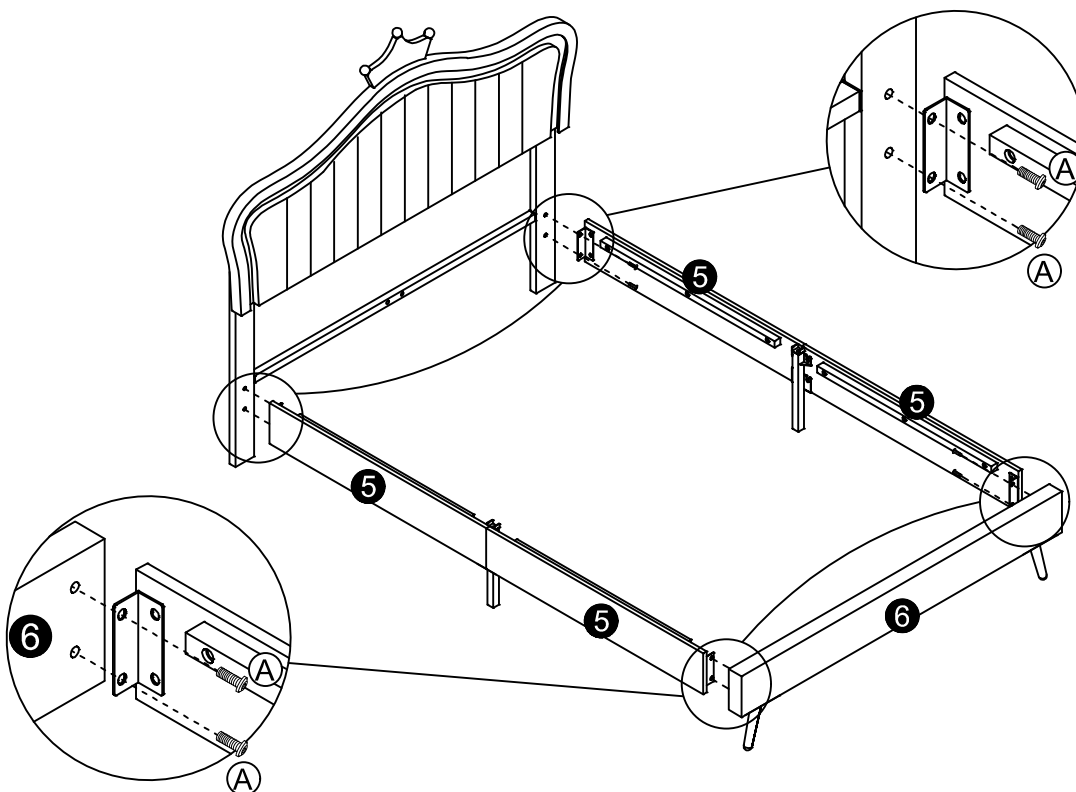
5




As shown in the picture, pay attention to the direction of component 14

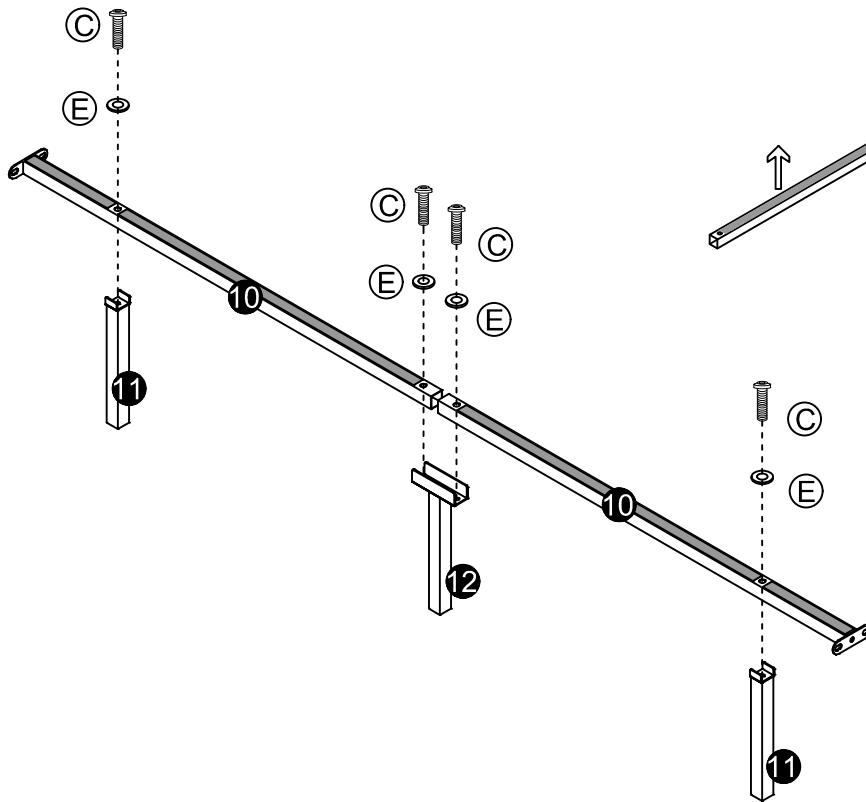
(B)		4PCS
	M8*20	

6

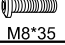



(A)		8PCS
	M8*15	

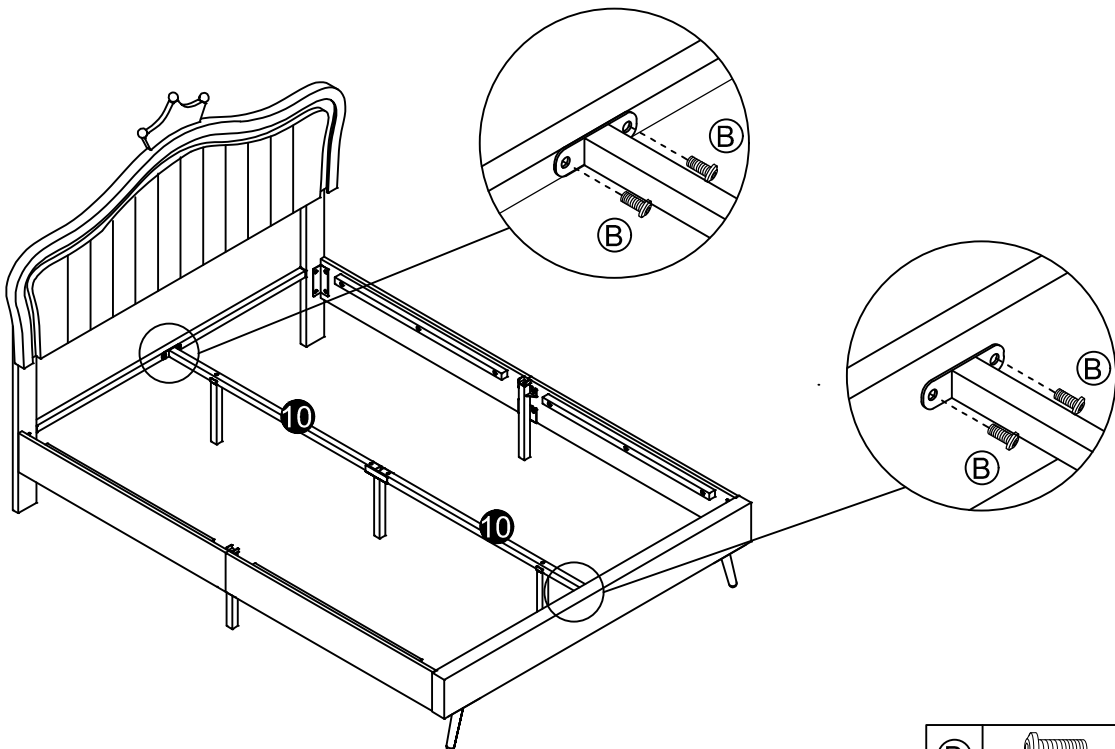
7




Please be sure to pay attention to the fact that there are mute stickers facing upwards during assembly, and the material feels soft to the touch

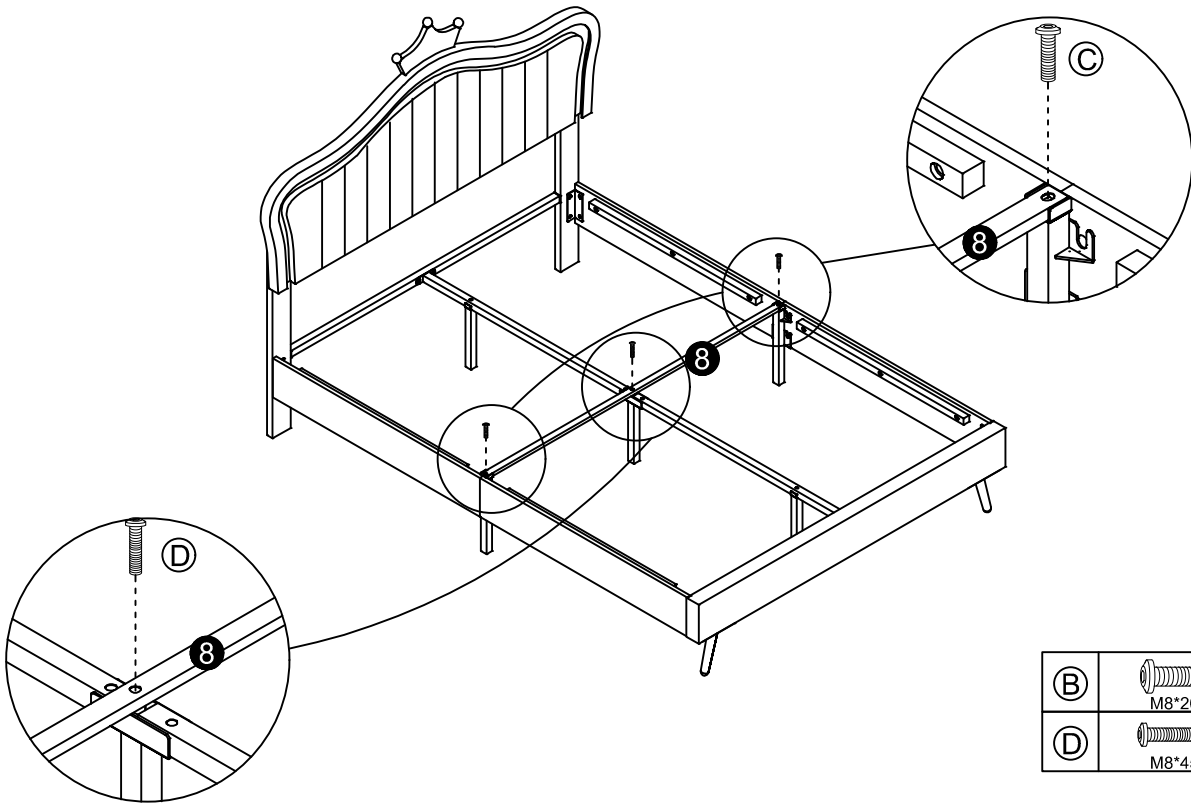
(C)	 M8*35	4PCS
(E)	 M8*Ø22	4PCS

8

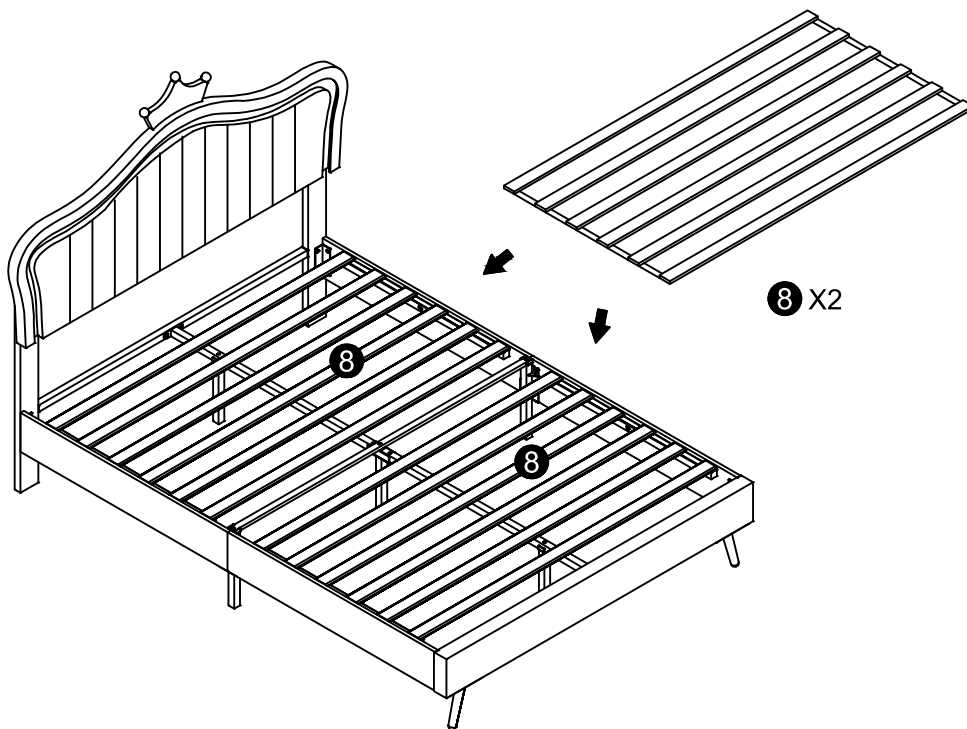


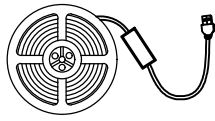
(B)	 M8*20	4PCS
-----	--	------

9

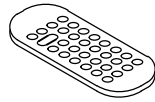


10

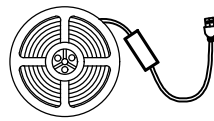




17 Light strip
1PC



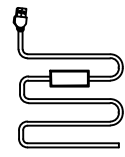
18 Remote control
1PC



light strip
X1

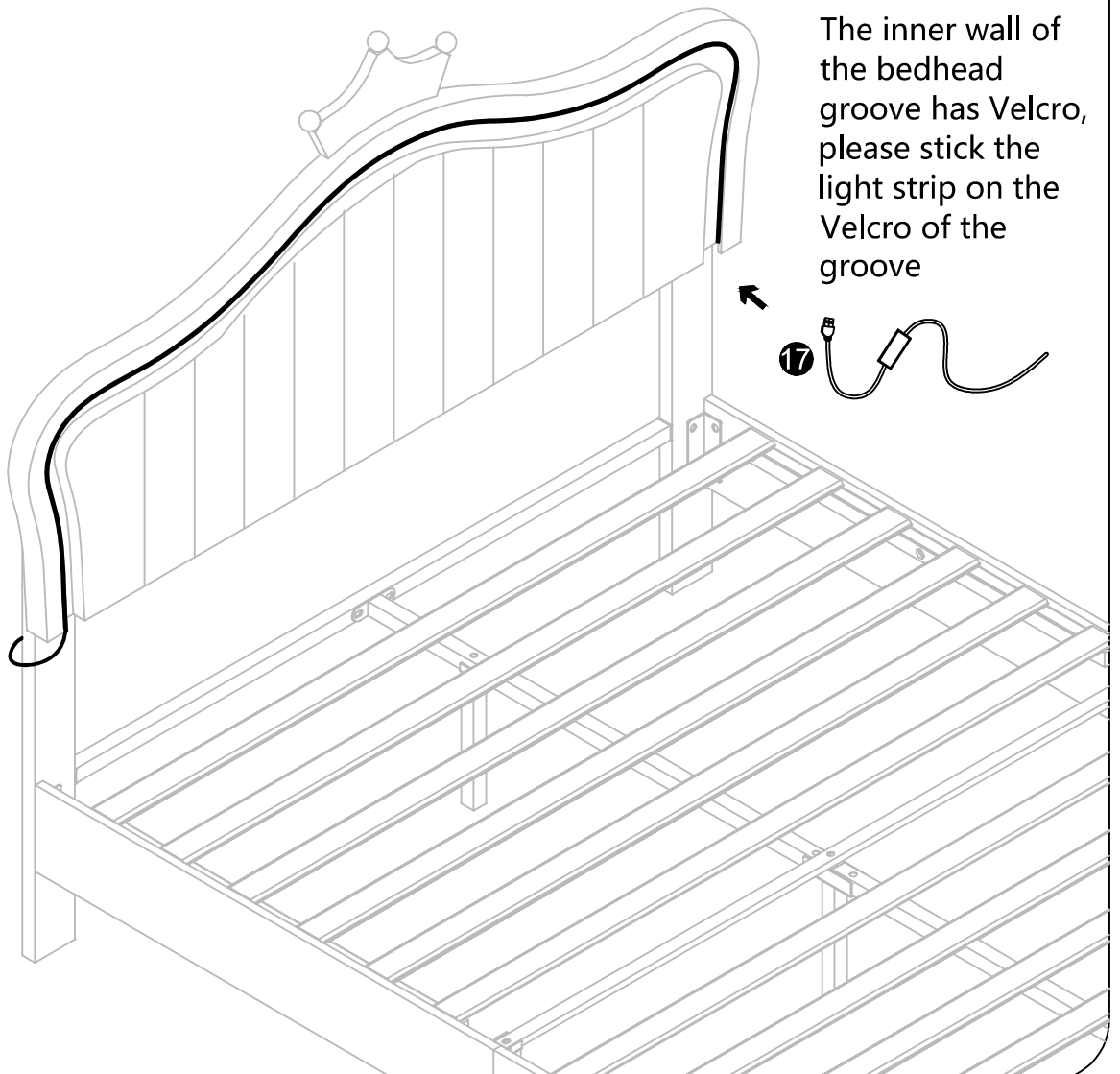


Pull out
and unfold



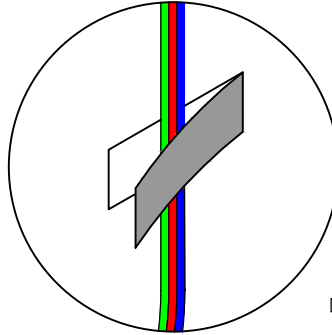
light strip

One side of the light bar is Velcro veneer and the other side is luminous band. Please distinguish it carefully. Stick the lamp to the top.

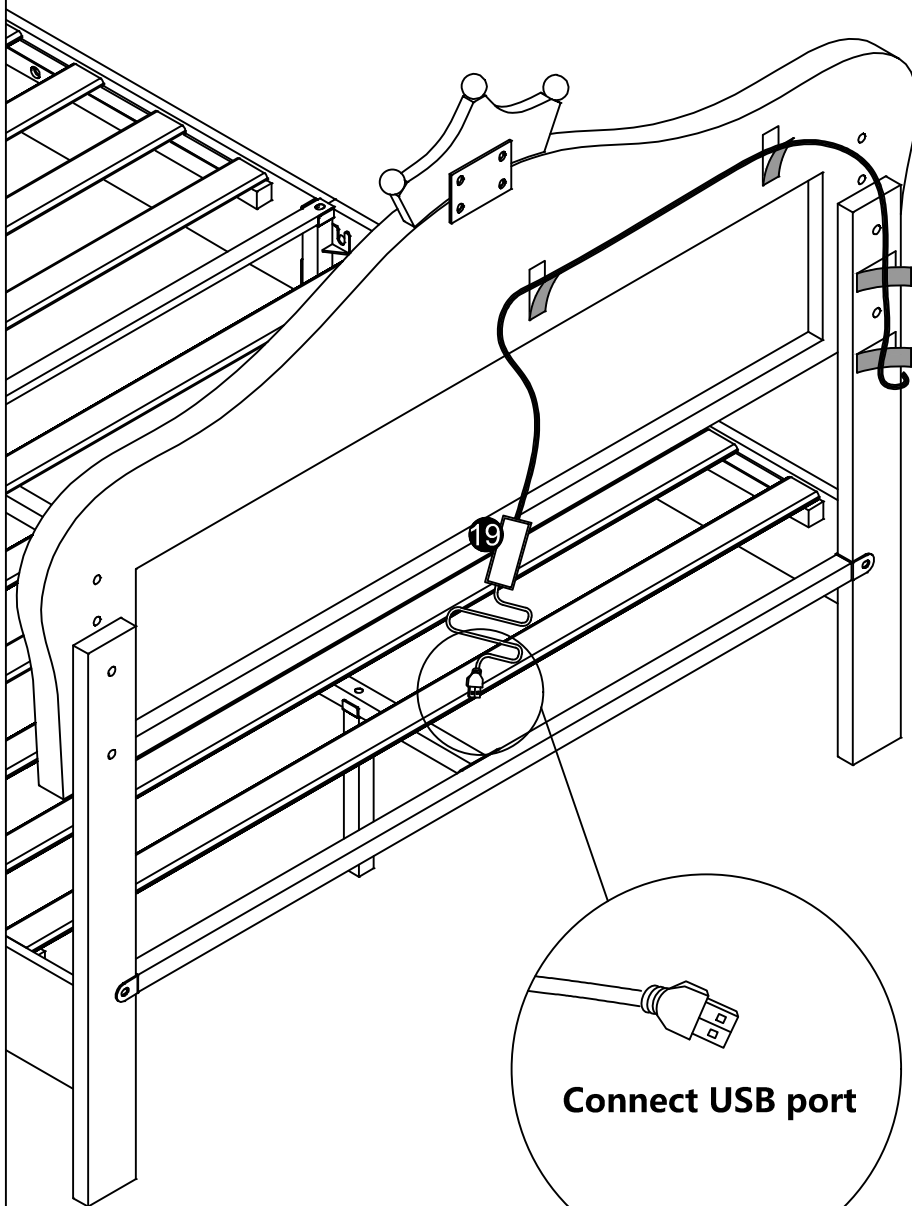
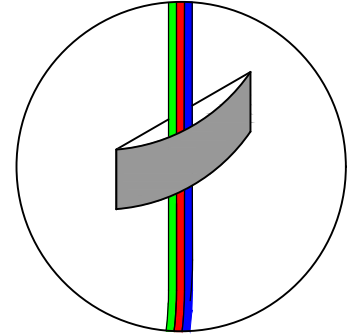


The inner wall of the bedhead groove has Velcro, please stick the light strip on the Velcro of the groove

Clip in the harness
Magic Band



Stick to



Connect USB port

NOTE:The battery in the remote control requires you to purchase and install it yourself.
Model:CR2025 3.V





Reference No. : WTN23D07163421R1Z
Applicant : Guangdong Zhongong Electrical Technology Co., LTD
Address : 701, Building 29, Zhifu Garden, Xingtan Town,
Shunde District, Foshan City
Manufacturer : Guangdong Zhongong Electrical Technology Co., LTD
Address : 701, Building 29, Zhifu Garden, Xingtan Town,
Shunde District, Foshan City
Product : Furniture socket
Model No. : See model list
Technical data : 250V AC, 50-60Hz 13A USB, output:5.0V 2A 10W

Test Standards:

BS 1363-2: 2016+A1:2018

BS EN IEC 62368-1:2020/A11:2020

The above product has been tested by us with the listed standards and found in compliance with the Electrical Equipment (Safety) Regulations 2016 of United Kingdom (S.I. 2016 No.1101). It is possible to use UKCA marking to demonstrate the compliance with the regulations.

Audio/video, information and communication technology equipment- Part 1:Safety requirements

13 A plugs, socket outlets, adaptors and connection units-Part 2: Specification for 13 A switched and unswitched socket outlets

The referred test report(s) show that the product complies with standard(s) recognized as giving presumption of compliance with the essential requirements in the above mentioned UK regulations. Other relevant UK regulations have to be observed.

After preparation of the necessary technical documentation as well as the declaration of conformity, the UKCA marking as shown below can be affixed on the equipment under the sole responsibility of the manufacturer.



Manager: *Deval Qin*
Date: 2024-07-08

The statement is based on a single evaluation of the sample of above mentioned product. It does not imply an assessment of the whole production.

Waltek Testing Group Co., Ltd.

Hotline:400-840-2288

E-mail:info@waltek.com.cn

Http://www.waltek.com.cn

Ver.02. 29.07.2022, WALTEK is registered trademark. Utilisation and application requires prior approval.

Attachment

Model list



Reference No.:WTN23D07163421R1Z

Product name	Model name	Differences	differences
Furniture socket	ZG-JJY-1	13A 250V AC , USB output:5V 2A 10W	1-position socket without switch and USB
	ZG-JJY-1UK		1-bit socket with switch and USB
	ZG-JJY-2		2-position socket without switch and USB
	ZG-JJY-2UK		2-bit socket with switch and USB
	ZG-JJY-3		3-position socket without switch and USB
	ZG-JJY-3UK		3-bit socket with switch and USB
	ZG-JJY-4		4-position socket without switch and USB
	ZG-JJY-4UK		4-bit socket with switch and USB
	ZG-JJY-5		5-position socket without switch and USB
	ZG-JJY-5UK		5-bit socket with switch and USB
	ZG-JJY-6		6-position socket without switch and USB
	ZG-JJY-6UK		6-bit socket with switch and USB
	ZG-JJY-7		7-position socket without switch and USB
	ZG-JJY-7UK		7-bit socket with switch and USB
	ZG-JJY-8		8-position socket without switch and USB
ZG-JJY-8UK	8-bit socket with switch and USB		

=====End of Attachment=====

Waltek Testing Group Co., Ltd.

Hotline:400-840-2288

E-mail:info@waltek.com.cn

Http://www.waltek.com.cn

Ver.02. 29.07.2022, WALTEK is registered trademark. Utilisation and application requires prior approval.

Attestation of Compliance

Declaration No.:	MK23110141P01-E01
Name and address of Applicant:	Shenzhen Hongzhengyu Technology Co., LTD Shenzhen baoan district rock street industrial science and technology industrial park of 2 Haitian lanyu 3 5 floor of A
Name and address of Manufacturer:	Shenzhen Hongzhengyu Technology Co., LTD Shenzhen baoan district rock street industrial science and technology industrial park of 2 Haitian lanyu 3 5 floor of A
Product name:	RGB package
Rated:	DC5V
Product model(s):	HZY-5050RGB-30D-90R-DC5V, HZY-5050RGB-30D-30R-DC5V, HZY-5050RGB-60D-60R-DC5V, HZY-5050RGB-60D-180R-DC5V, HZY-5050RGB-18D-18R-DC5V
Product trademark:	N/A

This Attestation of Compliance confirms that the product meets the requirements of the following standard.

BS EN IEC 55015:2019+A11:2020
 IEC 61547:2020
 BS EN IEC 61000-3-2:2019
 BS EN 61000-3-3:2013/A2:2021

The Attestation of Compliance has been carried out in accordance with individual rules and conditions agreed with the applicant. Evaluation has been carried out in accordance with:

Test report(s) No.:	MK23110141P01-E01
Test conducted by:	TMC Testing Services (Shenzhen) Co., Ltd.
Declaration issue date:	December 5, 2023

Notes:

This Attestation of Compliance is issued according to the Great Britain legislation Electromagnetic Compatibility Regulations 2016(SI 2016 No. 1091). It confirms that the listed products complies with all essential requirements of the Regulations and applies only to the sample and its technical documentation to TMC Testing Services (Shenzhen) Co., Ltd. for testing.

After preparation of the necessary technical documentation (which must be kept for up 10 years after the product is placed on the GB market) as well as the UK Declaration of Conformity, the required UKCA marking can be affixed on the product. Other relevant Regulations have to be observed.

TMC Testing Services (Shenzhen) Co., Ltd.

t:86-755-86642861 cert@tmc-lab.com www.tmc-lab.com

1st Floor, Block A1, Zone A, Xinshidai Gongrong Industrial Park, No. 2, Shihuan Road, Shiyuan Street, Baoan District, Shenzhen, China



Lab Director
 Vivian Jiang

**UK
 CA**



Attestation of Compliance

Reference No. : LCSA06064121EE

Applicant : Dongguan Yihong Hardware Electronics Co., Ltd

Address : Room 1106, No.2, Shangheng Road, Chang ' an Town, Dongguan

Trade Mark : YH

Product : Bluetooth 2.4G remote controller

Model(s) : YH-284, YH-284-1, YH-284-2, YH-284-3, YH-284-4

Tested according to : BS EN 55032:2015+A11:2020
BS EN 55035:2017+A11:2020
BS EN IEC 61000-3-2:2019+A1:2021
BS EN 61000-3-3:2013+A2:2021

The submitted products have been tested by us with the listed standards.

This Attestation of Compliance is issued according to the UK legislation: Electromagnetic Compatibility Regulations 2016(SI 2016 No. 1091), Referred to as the UK EMC regulation. It confirms that the listed product complies with all essential requirements of the Electromagnetic Compatibility Regulations 2016(SI 2016 No. 1091) and applies only to the sample and its technical documentation submitted to Shenzhen LCS Compliance Testing Laboratory Ltd. for testing.

After preparation of the necessary technical documentation (Which must be kept for up to 10 years after the product is placed on the GB market) as well as the UK declaration of conformity, the required UKCA marking can be affixed on the product. Other relevant Regulations have to be observed.

UK CA

Date of issue: June 11, 2024

