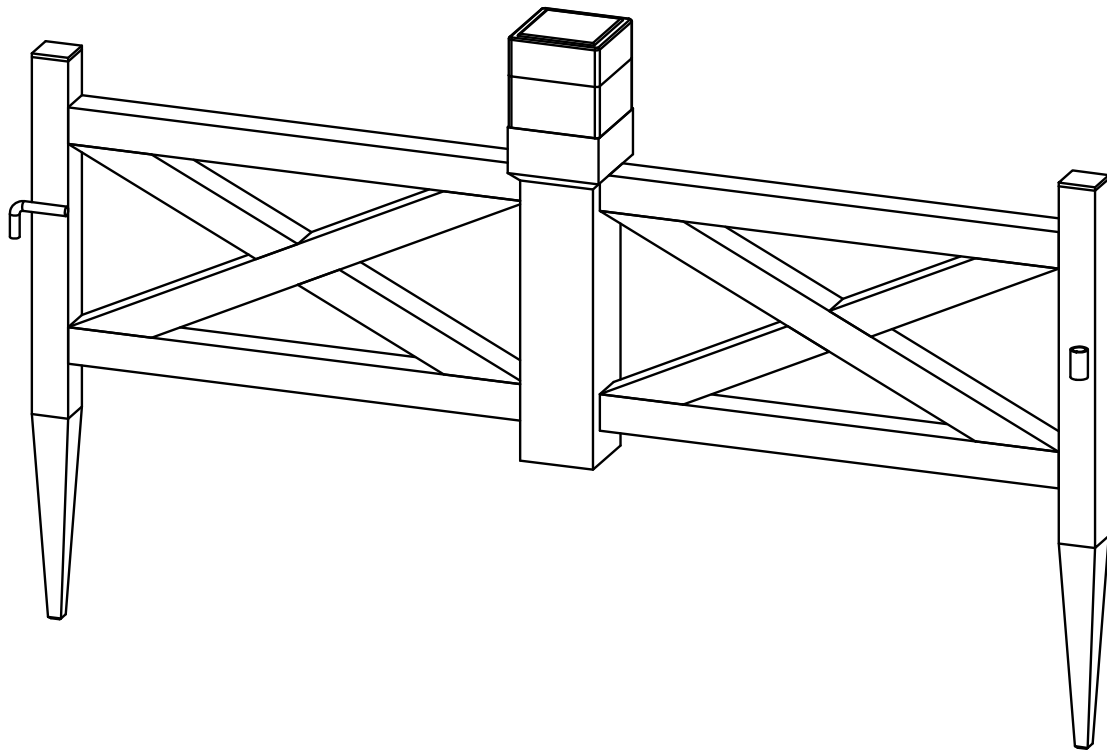


SOLAR GARDEN BORDER FENCING

| A411900521 |

Assembly and Safety Instructions



www.sunjoyonline.eu



helpme@sunjoyonline.eu

IMPORTANT

Please read and understand this manual before any assembly. Before beginning assembly of product, make sure all parts are present. Compare parts with packaging contents list.

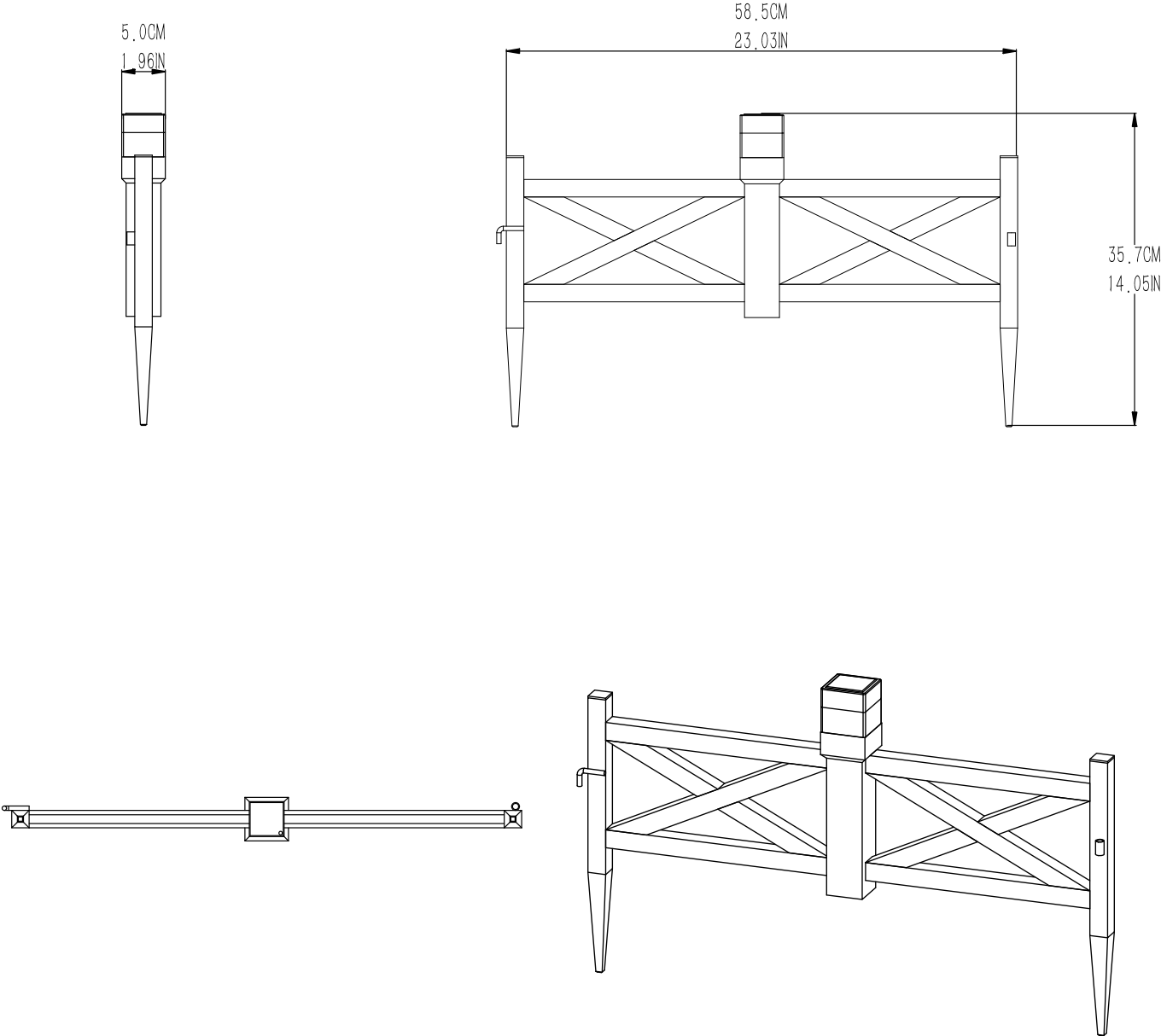
- Place all parts from the box in a cleared area and position them on the floor in front of you.
- Remove all packing materials and place them back into the box. Do not dispose of the packing materials until assembly is complete.
- Read each step carefully before beginning any assembly and make sure you understand each step. If you are missing a part, please email helpme@sunjoyonline.eu.

MAINTENANCE

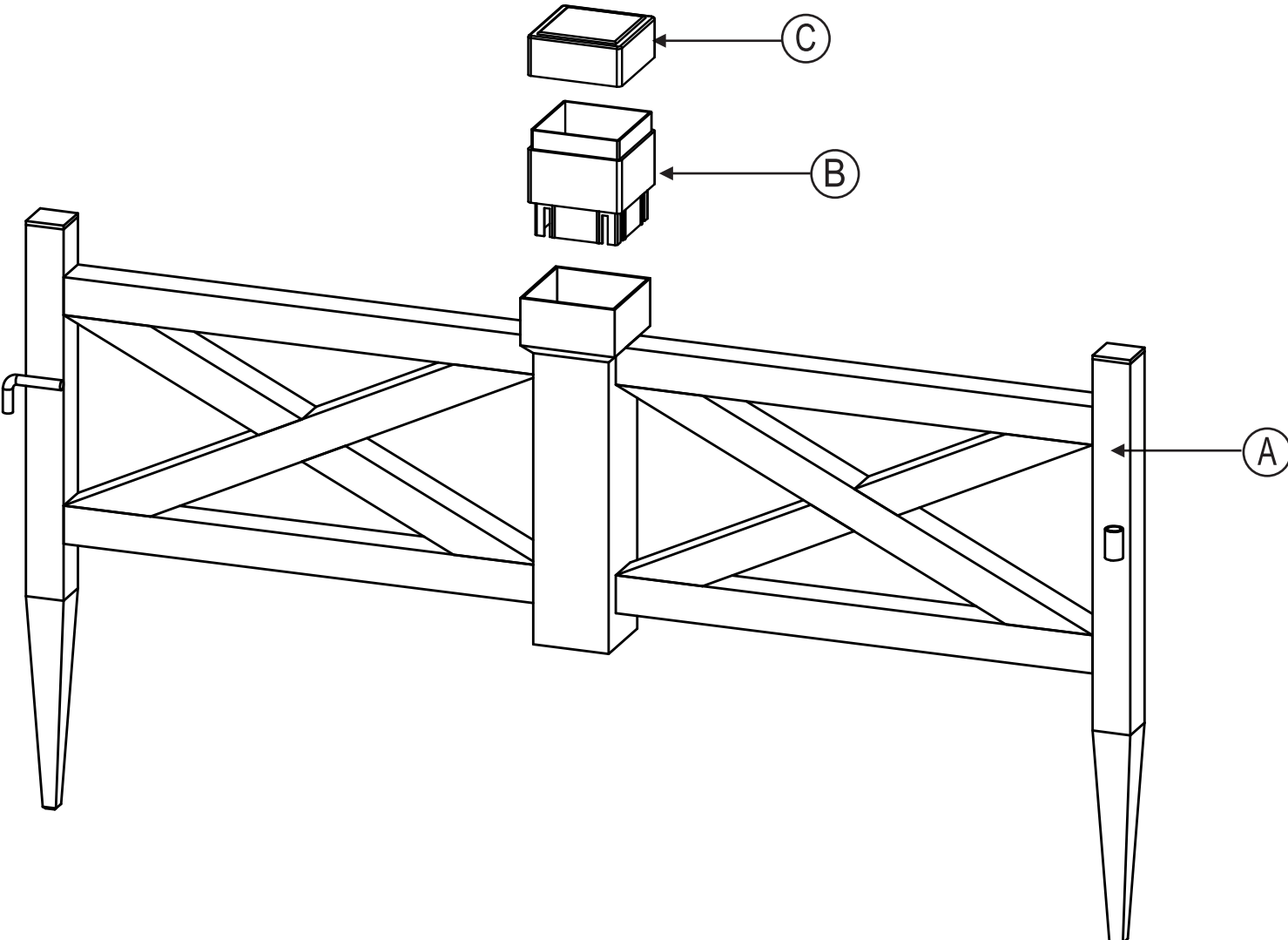
Before using, clean the product completely with a soft dry towel. When not in use, wipe free of any dirt or loose objects, wash with a mild solution of soap and water; rinse thoroughly and dry completely. Do not use strong detergent or abrasive cleaners.

Over time nuts and bolts can loosen. Occasionally, check nuts and bolts, re-tighten if necessary.

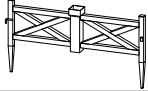
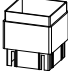
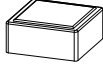
PRODUCT SIZE EFFECT DRAWING



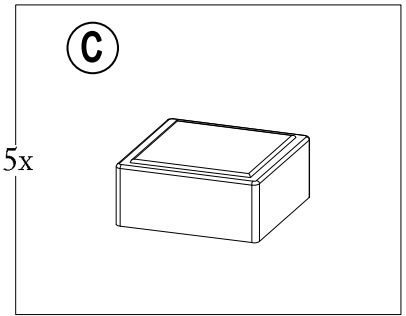
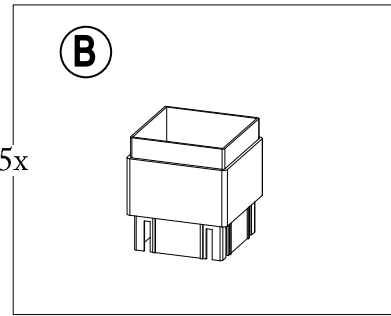
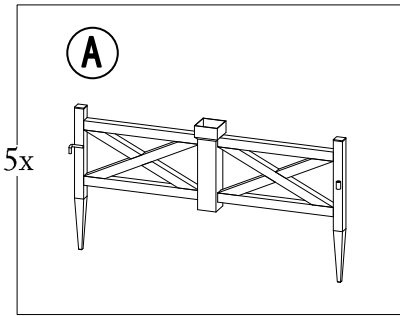
EXPLODED DRAWING



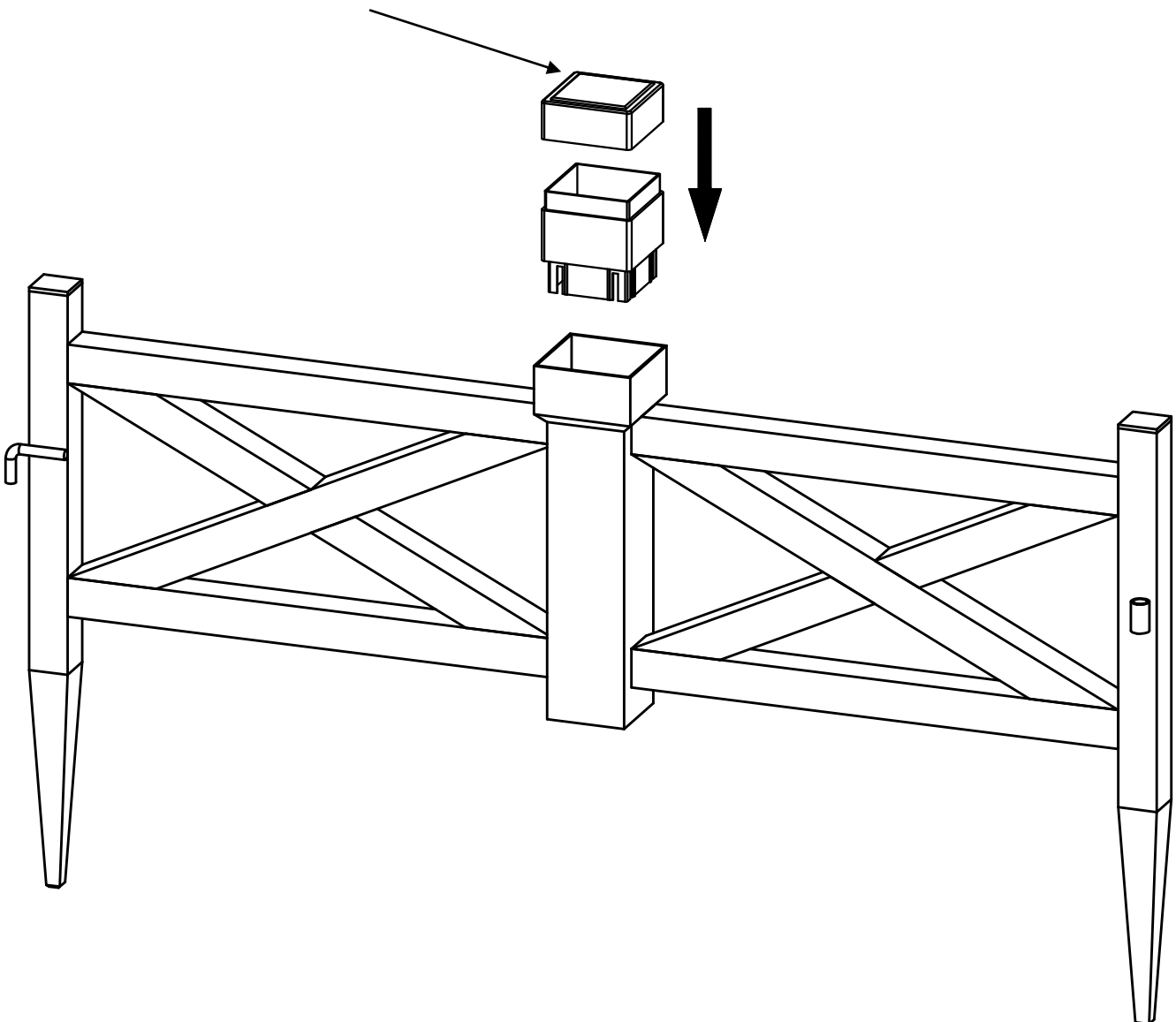
PARTS LIST

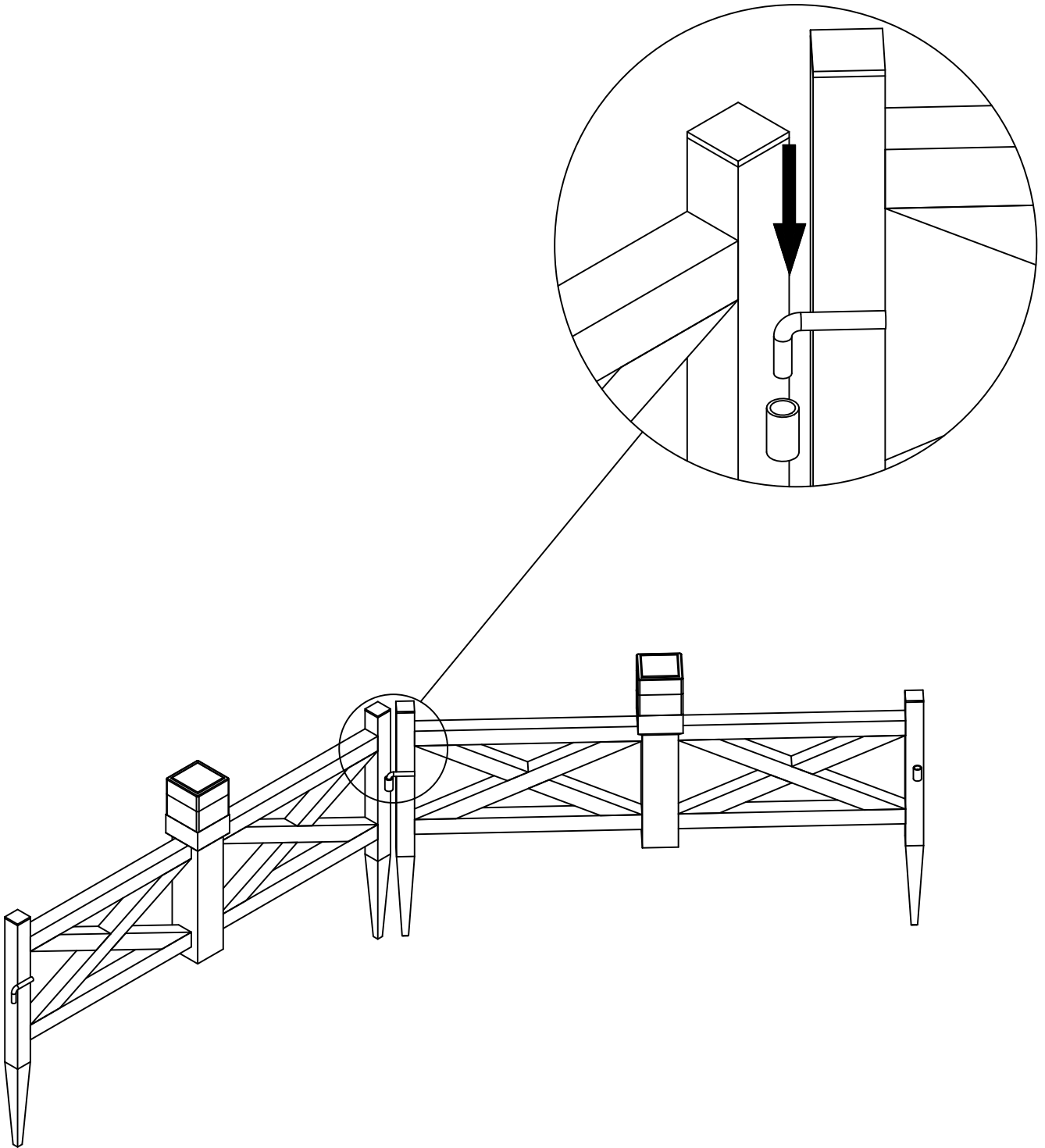
Label	Part Number	Qty	Part Image
A	P00620004801	5	
B	H990060027	5	
C	P00760029101	5	

1



The customer needs to turn on the switch when using it for the first time.







Sunjoy International (UK) Ltd
Suite 2.8 Monument House
215 Marsh Road
Pinner
United Kingdom
HA5 5NE

E-Mail: helpme@sunjoyonline.eu
www.sunjoyonline.eu