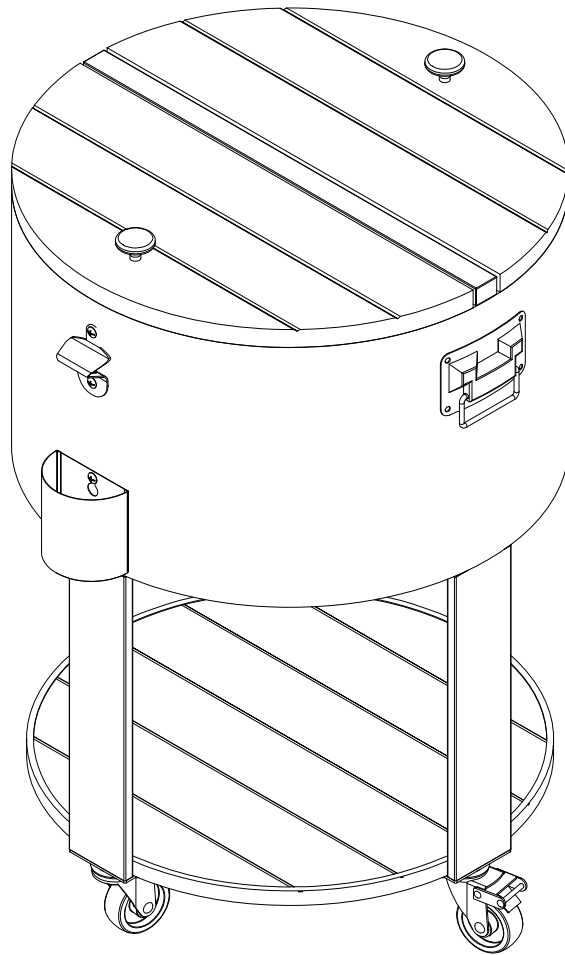


60QT Cooler

| A601010535 |

Assembly and Safety Instructions



www.sunjoyonline.eu



helpme@sunjoyonline.eu

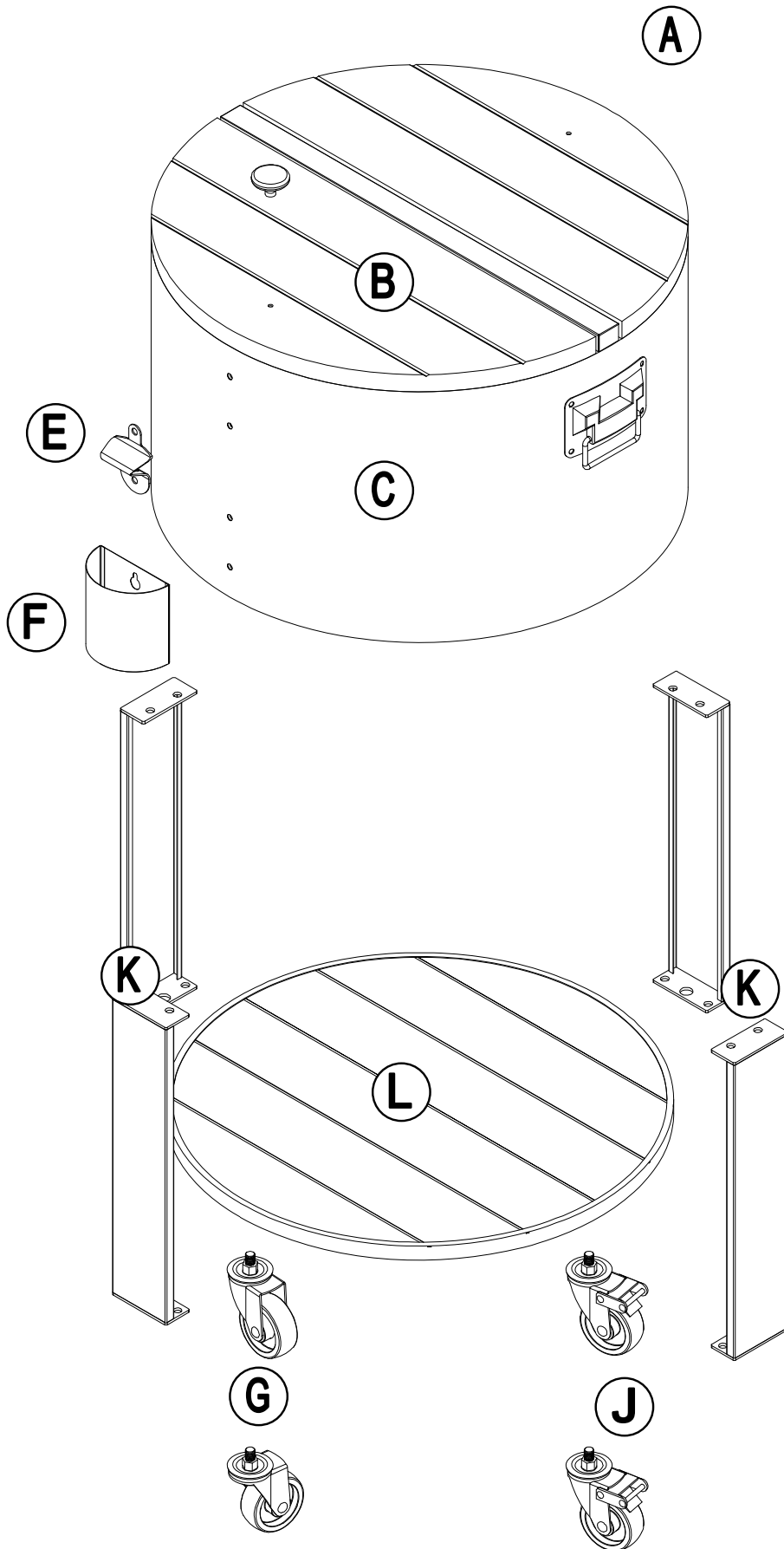
GENERAL BEST PRACTICES FOR ASSEMBLY

- Please read and understand this entire manual before attempting to assemble or install the product.
Before beginning assembly of product, make sure all parts are present. Compare parts with package contents list and hardware contents list. If any part is missing or damaged, do not attempt to assemble the product.
- Some parts may contain sharp edges. Wear protective gloves if necessary during assembly.
- Check all nuts and bolts periodically for tightness and, when required, tighten them again.
- For outdoor use only.
- Before using, clean the cooler completely with a soft dry towel.
- When not in use, store in a cool, dry area.


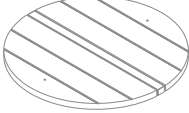
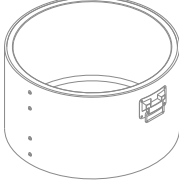


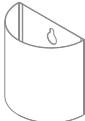



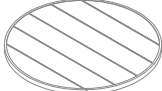
MAINTENANCE

- Do not use bleach, acid, or other abrasive cleaners on the roof or frame parts.
- Keep instruction manual for future reference.
- Keep the original packaging to store the cooler.

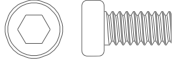


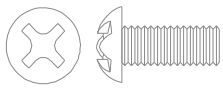


PART DIAGRAM



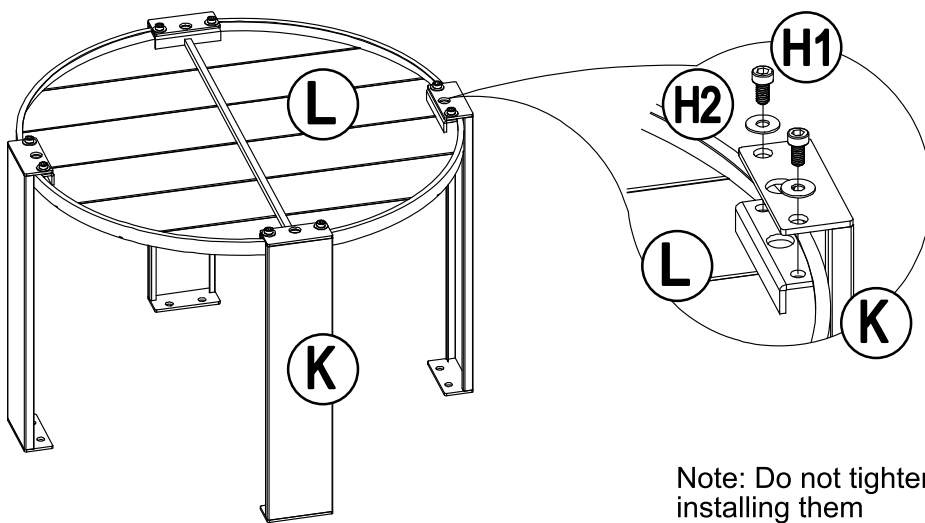
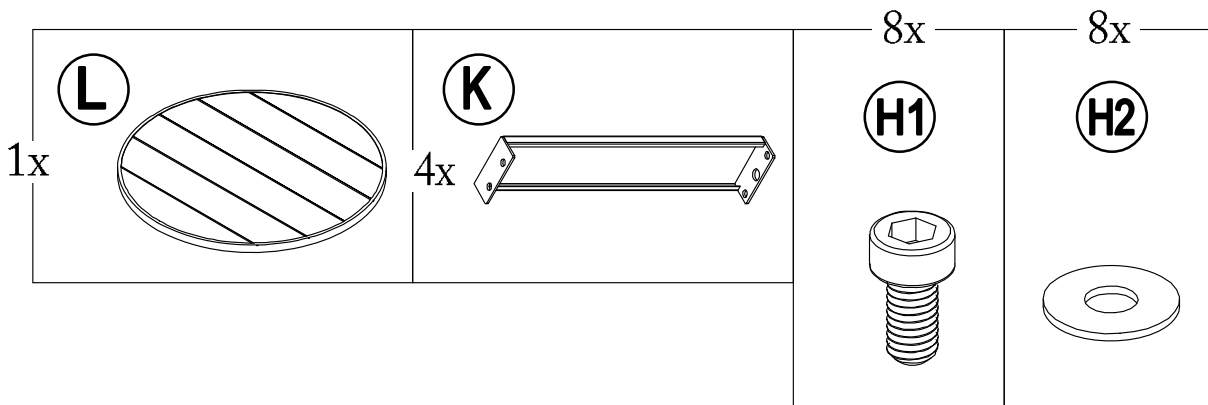
PARTS LIST

Label	Part Number	Description	Qty	Part Image
A	P005100101	Handle	2	
B	P00310015502	Lid	1	
C	P00320003102	Basin	1	
D	P00510043901	Drain Plug	1	
E	P007100004	Bottle Opener	1	
F	P00720001602	Bucket	1	
G	P003300002	Wheel	2	
J	P003300001	Wheel with Brake	2	
K	P00540082302	Leg	4	
L	P00420007202	Shelf	1	

HARDWARE PACK

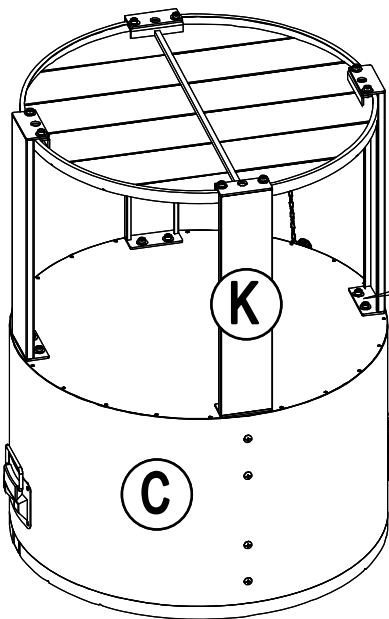
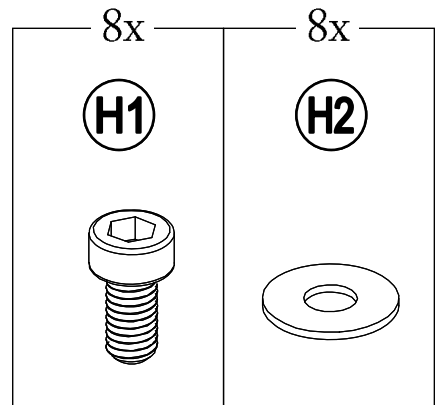
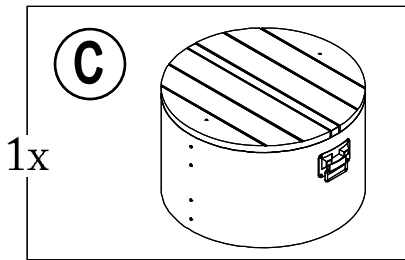
Label	Part Number	Description	Qty	Spare	Part Image
H1	H010040302	Screw M6*12	16	2	
H2	H050030001	Plain washer M6	16	2	
H3	H100070003	Cross Recessed Mushroom Head and Plain Washer Assemblies M5x45	2	0	
H4	H010110056	Bolts M6*12 (preinstalled)	4	0	
HW1	H090010020	Wrench M12	1	0	
HW2	H090030002	Wrench M6	1	0	

1

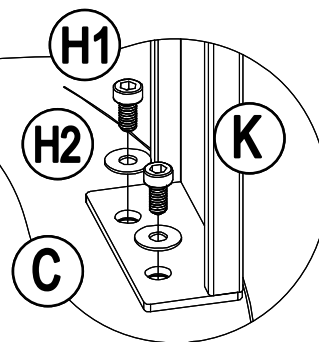


Note: Do not tighten bolts and flat washers when installing them

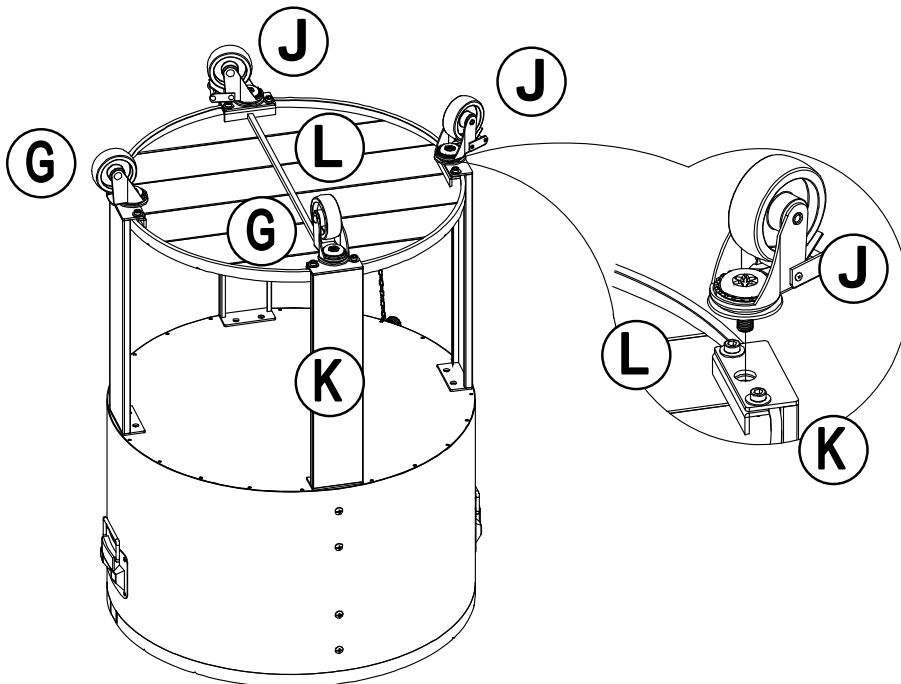
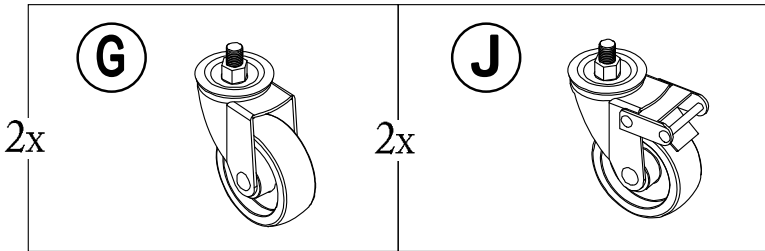
2



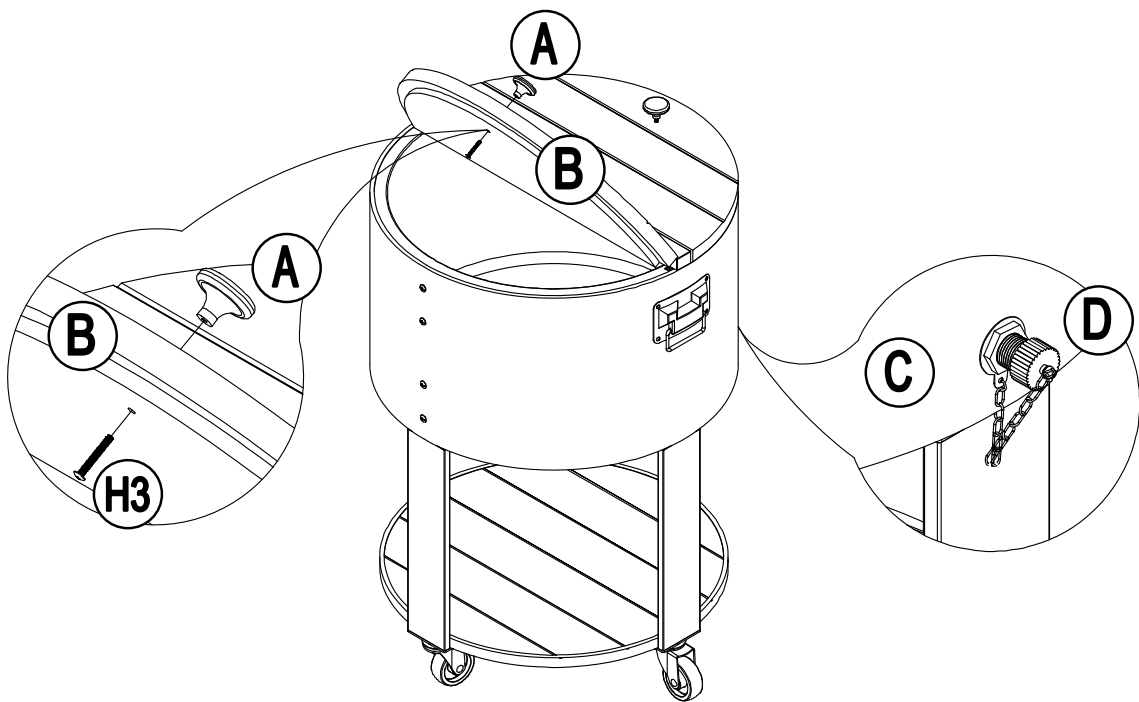
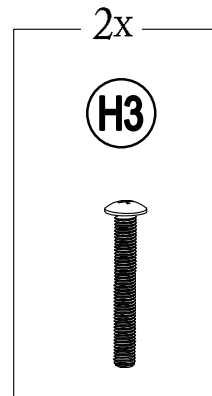
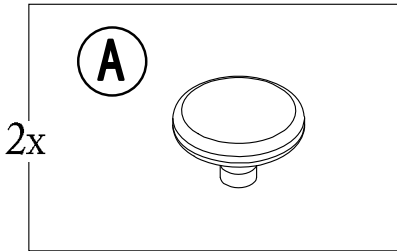
Note: After installing all bolts and flat washers, tighten them one by one.



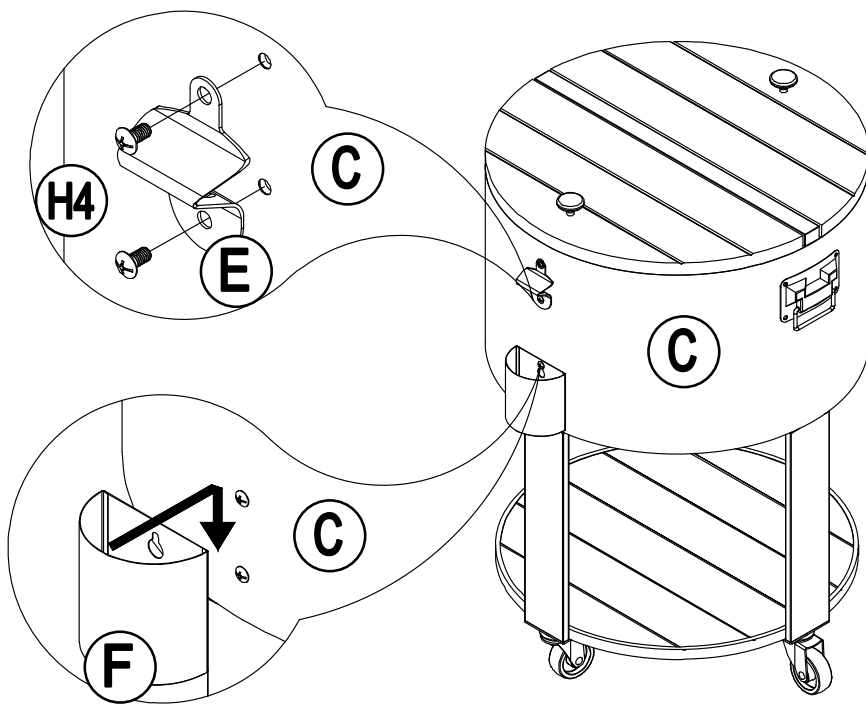
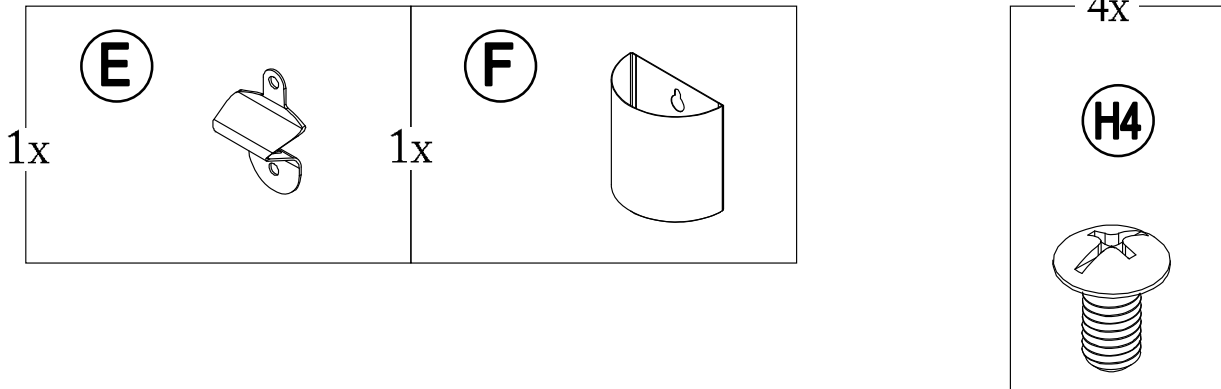
3



4



5





Sunjoy International (UK) Ltd
Suite 2.8 Monument House
215 Marsh Road
Pinner
United Kingdom
HA5 5NE

E-Mail: helpme@sunjoyonline.eu
www.sunjoyonline.eu