

BENCH

UK MADE

MASTER

**EXTRA STRONG
ALL STEEL
FULLY WELDED
READY TO USE
THE STRENGTH IS IN
THE FRAME**

- MEDIUM DUTY WORKBENCHES
- HEAVY DUTY WORKBENCHES
- SUPER HEAVY DUTY WORKBENCHES
- MOBILE WORKBENCHES
- TOOL TROLLEYS
- RANGE OF ACCESSORIES
- PACKING WORKBENCHES
- STAINLESS STEEL WORKBENCHES
- BESPOKE & STANDARD TROLLEYS

FREE DELIVERY ON ALL WORKBENCHES
TO MOST AREAS OF THE UK



NO ASSEMBLY REQUIRED SIMPLY
UNLOAD AND START WORKING



MEDIUM DUTY WORKBENCHES

FULLY WELDED, READY TO USE

Medium Duty Workbenches are ideal for all but the heaviest of tasks. We have a comprehensive range with a large selection of optional extras to suit every purpose. They are fully welded and come ready to use with a choice of tops - MDF, Laminate, ESD (statically dissipative) galvanised steel, stainless steel and black rubber on galvanised steel. The standard height is 840mm but we can make them to any height for a small charge.



MODEL AB1575S 1500 X 750
Galvanised steel top medium duty workbench.



MODEL AB1260L 1200 X 600
Laminate top medium duty workbench.



MODEL AB2075L 2000 X 750
Laminate top medium duty workbench with: 5 drawer unit, cupboard, louvre and tool panels with support bars, light rail, fluorescent light and bench top trunking with two twin sockets (supplied unwired)

PRODUCT DETAILS

- Medium Duty Workbenches constructed from hollow section steel and are fully welded.
- Levelling feet.
- Ideal for the assembly of small components especially for the electronics industry but equally useful as packing workbenches.
- Large choice of sizes and specifications available.
- We can vary manufacture to more closely match your specification - please ask.
- NOT flat pack.
- Workbench frame standard finish is blue RAL5010.
- Other colours available.
- MDF, Laminate and ESD Laminate worktops overlap the workbench frame by 10mm on all sides.
- Galvanised steel, stainless steel, black rubber on galvanised steel

CHOICE OF WORKTOP: MDF, LAMINATE, ESD LAMINATE, STEEL, GALVANISED STEEL, STAINLESS STEEL AND BLACK RUBBER ON GALVANISED STEEL

CONTACT US FOR A **NO OBLIGATION QUOTE** ON OTHER SIZES & SPECIFICATIONS

FREE DELIVERY ON ALL WORKBENCHES TO MOST AREAS OF THE UK



STANDARD FRAME COLOUR CHOICES:*



RAL5010
Sapphire Blue



BS00A05
Light Grey



14C39
Green



RAL7016
Dark Grey



RAL9006
Silver



RAL3000
Red



RAL9003
White



RAL9005
Black Satin
Finish



BS356
Yellow

*Non-standard colours are available for volume orders. Please ask for details.



MODEL AB1260M 2000 X 900
MDF top medium duty workbench.

STANDARD SIZES MEDIUM DUTY WORKBENCHES

#ESD is electrical static dissipative

WORKBENCH SIZE	MDF TOP	LAMINATE TOP	ESD LAMINATE TOP [#]	GALVANISED STEEL TOP	3MM BLACK RUBBER BONDED TO GALVANISED STEEL
LENGTH & DEPTH (MM)	CODE	CODE	CODE	CODE	CODE
1200 x 600	AB1260M	AB1260L	AB1260LE	AB1260S	AB1260RS
1200 x 750	AB1275M	AB1275L	AB1275LE	AB1275S	AB1275RS
1200 x 900	AB1290M	AB1290L	AB1290LE	AB1290S	AB1290RS
1500 x 600	AB1560M	AB1560L	AB1560LE	AB1560S	AB1560RS
1500 x 750	AB1575M	AB1575L	AB1575LE	AB1575S	AB1575RS
1500 x 900	AB1590M	AB1590L	AB1590LE	AB1590S	AB1590RS
1800 x 600	AB1860M	AB1860L	AB1860LE	AB1860S	AB1860RS
1800 x 750	AB1875M	AB1875L	AB1875LE	AB1875S	AB1875RS
1800 x 900	AB1890M	AB1890L	AB1890LE	AB1890S	AB1890RS
2000 x 600	AB2060M	AB2060L	-	AB2060S	AB2060RS
2000 x 750	AB2075M	AB2075L	-	AB2075S	AB2075RS
2000 x 900	AB2090M	AB2090L	-	AB2090S	AB2090RS
2000 x 1200	AB2012M	AB2012L	-	AB2012S	AB2012RS

STANDARD HEIGHT 840MM CAN BE VARIED TO ORDER

OPTIONAL EXTRA ITEMS:

- CUPBOARD
- SINGLE PAINTED DRAWER
- CUPBOARD WITH INTEGRAL SINGLE DRAWER
- 13 AMP TWIN SOCKET
- FLUORESCENT LIGHT
- LED LIGHT
- UPPER SHELF
- BOTTOM SHELF
- LOUVRE AND TOOL PANELS
- BENCH TOP TRUNKING
- TWO DRAWER UNIT
- THREE DRAWER UNIT
- FOUR DRAWER UNIT
- FIVE DRAWER CUPBOARD UNIT



400MM PAINTED STEEL DRAWER...
...can be fitted as an extra item.

CALL: 01457 837 146 EMAIL: SALES@BENCHMASTER.UK

NO ASSEMBLY REQUIRED SIMPLY UNLOAD AND START WORKING

ESD RANGE

SOLUTION FOR ELECTRONICALLY SENSITIVE PRODUCTS



ESD workbenches are designed for static dissipative use mainly in the electrical industry. These sturdy workbenches come fully welded and ready to use and are available in a number of sizes. The standard height is 840mm, but this can be manufactured to a bespoke size for a small charge. We also offer a full range of accessories that can go above or below the worktop. The lead time is usually 15 working days from time of order. The standard height is 840mm but we can make them to any height at a small charge.

ESD dissipative levels for BenchMaster ESD tops Volume resistance RD $1 \times 10^4 - 1 \times 10^9$ Ohm (EN 61340-5-1) measured dry, measurement voltage 100 V DC, cylindrical electrode, 20 – 30°C and 20 – 50% relative humidity (conditioned for 96 hours)



MODEL AB1260LE

WORKBENCH SIZE	
LENGTH & DEPTH (MM)	CODE
1200 x 600	AB1260LE
1200 x 750	AB1275LE
1200 x 900	AB1290LE
1500 x 600	AB1560LE
1500 x 750	AB1575LE
1500 x 900	AB1590LE
1800 x 600	AB1860LE
1800 x 750	AB1875LE
1800 x 900	AB1890LE

STANDARD HEIGHT 840MM CAN BE VARIED TO ORDER

OPTIONAL EXTRA ITEMS:

- CUPBOARD
- SINGLE DRAWER
- CUPBOARD WITH INTEGRAL SINGLE DRAWER
- 13 AMP TWIN SOCKET
- FLUORESCENT LIGHT
- LED LIGHT
- UPPER SHELF
- BOTTOM SHELF
- LOUVRE AND TOOL PANELS
- BENCH TOP TRUNKING
- TWO DRAWER UNIT
- THREE DRAWER UNIT
- FOUR DRAWER UNIT
- FIVE DRAWER CUPBOARD UNIT



400MM PAINTED STEEL DRAWER...
...can be fitted as an extra item.

CONTACT US FOR A NO OBLIGATION QUOTE ON OTHER SIZES & SPECIFICATIONS

FREE DELIVERY ON ALL WORKBENCHES TO MOST AREAS OF THE UK

HEAVY DUTY WORKBENCHES

QUALITY MATERIALS AND QUALITY WORKMANSHIP



Heavy Duty Workbenches are supplied fully welded and ready to use. All are supplied with a bottom shelf and a locking cupboard as standard but can be supplied without the cupboard if requested. A comprehensive range of optional extras makes these robust benches perfect for every situation. We offer three standard lengths and three standard depths, but other widths and depths are available on request. The standard height is 840mm but we can make them to any size for a small charge.



MODEL 1575WC
with wood top cupboard and bottom shelf.



MODEL 1260SC
with galvanised steel top, cupboard left hand side and bottom shelf.

PRODUCT DETAILS

- Constructed from steel angle with braced galvanised steel top, 45mm solid wood top or rubber over steel.
- Choice of four standard lengths in the static workbenches range, each of which is available in three depths.
- Cupboards measure 600mm x 600mm by workbench depth.
- Wood tops overlap stated size by approx. 10mm on front and both sides.
- All Heavy Duty Workbenches include as standard:
Bottom Shelf
Vice Plate welded under the front right hand corner
Rear Upstand
Single Cupboard

CHOICE OF WORKTOP: STEEL, WOOD OR RUBBER OVER STEEL

STANDARD SIZES HEAVY DUTY WORKBENCHES

WORKBENCH SIZE	GALVANISED STEEL TOP	45MM SOLID WOOD TOP	3MM BLACK RUBBER BONDED TO GALVANISED STEEL
LENGTH & DEPTH (MM)	CODE	CODE	CODE
1200 X 600	1260SC	1260WC	1260RSC
1200 X 750	1275SC	1275WC	1275RSC
1200 X 900	1290SC	1290WC	1290RSC
1500 X 600	1560SC	1560WC	1560RSC
1500 X 750	1575SC	1575WC	1575RSC
1500 X 900	1590SC	1590WC	1590RSC
1800 X 600	1860SC	1860WC	1860RSC
1800 X 750	1875SC	1875WC	1875RSC
1800 X 900	1890SC	1890WC	1890RSC
2000 X 600	2060SC	2060WC	2060RSC
2000 X 750	2075SC	2075WC	2075RSC
2000 X 900	2090SC	2090WC	2090RSC

STANDARD HEIGHT 840MM CAN BE VARIED TO ORDER

OPTIONAL EXTRA ITEMS:

- SECOND CUPBOARD
- SINGLE DRAWER
- TWO DRAWER UNIT
- THREE DRAWER UNIT
- FOUR DRAWER UNIT
- FIVE DRAWER CUPBOARD UNIT
- FLUORESCENT LIGHT
- LED LIGHT
- TRUNKING
- LOUVRE / TOOL PANELS
- CUPBOARD & SINGLE DRAWER
- UPPER SHELF

CALL: 01457 837 146 EMAIL: SALES@BENCHMASTER.UK

NO ASSEMBLY REQUIRED SIMPLY UNLOAD AND START WORKING

SUPER HEAVY DUTY WORKBENCHES

FULLY WELDED AND READY TO USE



MODEL 2075WSC
Galvanised steel over wood top.

STANDARD FRAME COLOUR CHOICES:*



RAL5010
Sapphire Blue



BS00A05
Light Grey



14C39
Green



RAL7016
Dark Grey



RAL9006
Silver



RAL3000
Red



RAL9003
White



RAL9005
Black Satin
Finish



BS356
Yellow

*Non-standard colours are available for volume orders. Please ask for details.

PRODUCT DETAILS

- Constructed from steel angle with 45mm solid wood top covered in galvanised steel.
- Choice of four standard lengths in the static workbench range, each of which is available in three depths.
- Cupboards measure 600mm x 600mm by workbench depth.
- All Super Heavy Duty Workbenches include as standard:
Bottom Shelf
Vice Plate welded under the front right hand corner
Rear Upstand
Single Cupboard

STANDARD SIZES SUPER HEAVY DUTY WORKBENCHES

WORKBENCH SIZE	GALVANISED STEEL ON 45MM SOLID WOOD TOP	3MM BLACK RUBBER BONDED TO GALVANISED STEEL
LENGTH & DEPTH (MM)	CODE	CODE
1200 X 600	1260WSC	1260WRSC
1200 X 750	1275WSC	1275WRSC
1200 X 900	1290WSC	1290WRSC
1500 X 600	1560WSC	1560WRSC
1500 X 750	1575WSC	1575WRSC
1500 X 900	1590WSC	1590WRSC
1800 X 600	1860WSC	1860WRSC
1800 X 750	1875WSC	1875WRSC
1800 X 900	1890WSC	1890WRSC
2000 X 600	2060WSC	2060WRSC
2000 X 750	2075WSC	2075WRSC
2000 X 900	2090WSC	2090WRSC

STANDARD HEIGHT 840MM CAN BE VARIED TO ORDER

OPTIONAL EXTRA ITEMS:

- EXTRA CUPBOARDS
- SINGLE DRAWER
- TWO DRAWER UNIT
- THREE DRAWER UNIT
- FOUR DRAWER UNIT
- FIVE DRAWER CUPBOARD UNIT
- FLUORESCENT LIGHT
- LED LIGHT
- TRUNKING
- LOUVRE / TOOL PANELS
- CUPBOARD & SINGLE DRAWER
- UPPER SHELF

CONTACT US FOR A **NO OBLIGATION QUOTE** ON OTHER SIZES & SPECIFICATIONS

FREE DELIVERY ON ALL WORKBENCHES TO MOST AREAS OF THE UK

MOBILE WORKBENCHES

MAXIMUM MOBILITY + MAXIMUM STABILITY



ON LEGS



ON CASTORS

Our mobile workbenches offer invaluable flexibility in use and positioning. A simple handle converts the bench from a sturdy, static workbench to a fully mobile and easy to manoeuvre one. Our unique system, fitted beneath, effortlessly lifts it off its four legs onto four wheels making the bench easily manoeuvrable anywhere within the work shop. Each workbench has a lockable cupboard and vice plate. For even more adaptability, we offer a choice of length and depth. Mobile workbenches are particularly useful to the service engineer and in the motor industry. Mounted on 100mm blue elastic non-marking castors.



MODEL 1260SCP
Shown with single cupboard.



MODEL 1260SFCP
Shown with single cupboard and 5 drawer unit.

PRODUCT DETAILS

- Fully mobile workbenches.
- Stands on four legs when in use to give maximum stability, with the wheels off the floor.
- Simple lever action pushes down the under-carriage and takes the weight off the legs onto the castors, enabling easy movement of the complete unit.
- Galvanised steel, stainless steel, rubber on steel and wood top.

- Two versions:
 - Standard cupboard (SCP models)
 - Five drawer unit and matching cupboard (SFCP models).
- All Mobile Workbenches include as standard:
 - Bottom Shelf**
 - Vice Plate** welded under the front right hand corner
 - Rear Upstand**
 - Single Cupboard**



STANDARD SIZES MOBILE WORKBENCHES

WORKBENCH SIZE	SINGLE CUPBOARD	5 DRAWER & CUPBOARD	SINGLE CUPBOARD WOOD TOP	5 DRAWER UNIT & CUPBOARD WOOD TOP	SINGLE CUPBOARD RUBBER ON STEEL	5 DRAWER UNIT & CUPBOARD RUBBER ON STEEL
LENGTH & DEPTH (MM)	CODE	CODE	CODE	CODE	CODE	CODE
1200 x 600	1260SCP	1260SFCP	1260WCP	1260WFCP	1260RSCP	1260RSFCP
1200 x 750	1275SCP	1275SFCP	1275WCP	1275WFCP	1275RSCP	1275RSFCP
1500 x 600	1560SCP	1560SFCP	1560WCP	1560WFCP	1560RSCP	1560RSFCP
1500 x 750	1575SCP	1575SFCP	1575WCP	1575WFCP	1575RSCP	1575RSFCP

STANDARD HEIGHT 840MM ON LEGS

OPTIONAL EXTRA ITEMS:

- SECOND CUPBOARD
- VICE
- SINGLE DRAWER
- TWO DRAWER UNIT
- THREE DRAWER UNIT
- FOUR DRAWER UNIT
- FLUORESCENT LIGHT
- LED LIGHT
- TRUNKING
- LOUVRE / TOOL PANELS
- CUPBOARD & SINGLE DRAWER
- UPPER SHELF

CALL: 01457 837 146 EMAIL: SALES@BENCHMASTER.UK

NO ASSEMBLY REQUIRED SIMPLY UNLOAD AND START WORKING

STAINLESS STEEL WORKBENCHES

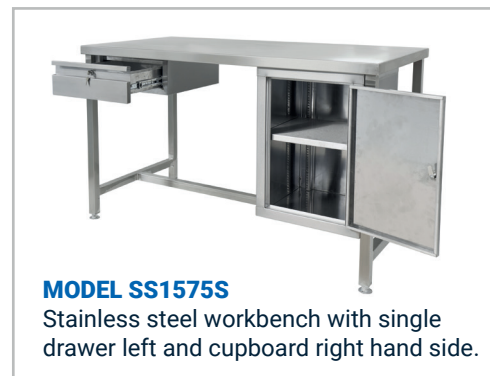
QUALITY 304 GRADE STAINLESS STEEL (OTHER GRADES AVAILABLE)



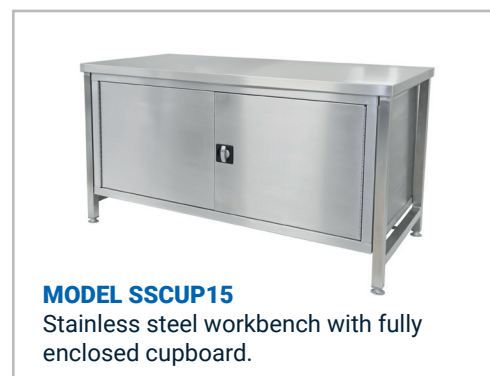
Stainless steel workbenches / tables are fully welded and ready to use. They are manufactured from 40mm x 40mm box section that is 304 grade stainless steel. This meets standards across many industries including food, laboratories and the medial sectors.



MODEL SS1260S
Stainless steel workbench.



MODEL SS1575S
Stainless steel workbench with single drawer left and cupboard right hand side.



MODEL SSCUP15
Stainless steel workbench with fully enclosed cupboard.

PRODUCT DETAILS

- Ideal for food, laboratories and medical industries with a uniformly distributed load (UDL) of 400kg.
- Made from 304 grade stainless steel and comes fully welded.
- Available in a number of sizes.
- The stainless steel tops are 1.5mm thick and are welded in place, however if you require a removable top for deep clean purposes, please let us know.
- Fitted with alloy levelling feet that have 50mm of threaded adjustment on each leg.
- The standard height of the stainless steel workbenches/ tables is 840mm. This can be modified for a small charge, but must be noted on the order.
- The lead time on the stainless steel workbench range is approximately 10 working days.

STANDARD SIZES STAINLESS STEEL WORKBENCHES

WORKBENCH SIZE	STAINLESS WORKBENCH	STAINLESS WORKBENCH WITH CUPBOARD
LENGTH & DEPTH (MM)	CODE	CODE
1200 X 600	SS1260S	SSCUP1260
1200 X 750	SS1275S	SSCUP1275
1200 X 900	SS1290S	SSCUP1290
1500 X 600	SS1560S	SSCUP1560
1500 X 750	SS1575S	SSCUP1575
1500 X 900	SS1590S	SSCUP1590
1800 X 600	SS1860S	SSCUP1860
1800 X 750	SS1875S	SSCUP1875
1800 X 900	SS1890S	SSCUP1890
2000 X 600	SS2060S	SSCUP2060
2000 X 750	SS2075S	SSCUP2075
2000 X 900	SS2090S	SSCUP2090
2000 X 1200	SS2012S	SSCUP2012

STANDARD HEIGHT 840MM CAN BE VARIED TO ORDER

CONTACT US FOR A **NO OBLIGATION QUOTE** ON OTHER SIZES & SPECIFICATIONS

FREE DELIVERY ON ALL WORKBENCHES TO MOST AREAS OF THE UK

PACKING WORKBENCHES

FULLY WELDED AND READY TO USE



Packing workbenches are ideal for warehouses, workshops, distribution centres and many more sectors who are requiring a workbench on which to pack products. The packing workbench comes as standard with a number of accessories for storage.



MODEL PB1560M

Includes upper shelf, drawer right hand side, two rollers for bubble wrap and paper. (Not included) Upper shelf supports are not included

PRODUCT DETAILS

- Packing workbenches are fully welded and ready to use and come with an MDF top. This packing bench comes as standard with an upper shelf, two bars.
- Other variations are available, please contact us on **01457 837146** for more details.
- The two bars supports a number of packing solutions including paper, bubble-wrap and cardboard.
- The standard height of the packing workbenches is 900mm. The uniformly distributed load (UDL) is 500kg for each standard packing workbench and is fitted with all metal levelling feet that have 12mm of adjustment on each leg.
- The lead time on the packing workbench range is approximately 10 working days.
- Other variations are available, please call for more details.

STANDARD SIZES PACKING WORKBENCHES

WORKBENCH SIZE	MDF TOP
LENGTH & DEPTH (MM)	CODE
1200 X 600	PB1260M
1200 X 750	PB1275M
1200 X 900	PB1290M
1500 X 600	PB1560M
1500 X 750	PB1575M
1500 X 900	PB1590M
1800 X 600	PB1860M
1800 X 750	PB1875M
1800 X 900	PB1890M
2000 X 600	PB2060M
2000 X 750	PB2075M
2000 X 900	PB2090M

STANDARD HEIGHT 900MM CAN BE VARIED TO ORDER

For other colour options, please refer to page 3 (Medium Duty).

CALL: 01457 837 146 EMAIL: SALES@BENCHMASTER.UK

NO ASSEMBLY REQUIRED SIMPLY UNLOAD AND START WORKING

MOBILE TOOL CABINET

STORAGE SOLUTIONS ON THE MOVE



The mobile tool cabinet is available in a number of combinations such as standard cupboards, cupboard with single drawer and 5 drawer units to suit your needs. As standard they come with two swivel castors and two brakes to allow flexible movement at all times. There is a fluted rubber mat fitted to stop movement on the top. These are also available in a number of colours. The lead time on the mobile tool cabinet range is approximately **10 working days**.



SIZE 920MM LONG X 460MM DEEP X 820MM HIGH

CODE	MODEL
MTT1	Two standard cupboards
MTT2	Standard cupboard and cupboard/drawer
MTT3	Standard cupboard and 5 drawer unit
MTT4	Two cupboards/drawers
MTT5	Two 5 drawer units

For other colour options, please refer to page 3 (Medium Duty).

CONTACT US FOR A NO OBLIGATION QUOTE ON OTHER SIZES & SPECIFICATIONS

FREE DELIVERY ON ALL WORKBENCHES TO MOST AREAS OF THE UK

TOOL TROLLEYS

QUALITY WORKMANSHIP USING TOP QUALITY MATERIALS



Our tool trolleys are custom-made from top quality steel. Mounted on 100mm blue elastic non-marking, swivel and swivel braked castors for complete mobility, they provide excellent flexibility and adaptability in use. All models come with vice plate as standard. As with all BenchMaster products, they are delivered fully assembled and ready for use.



MODEL 1050ST
with top and base



MODEL 1050SCT
with cupboard



MODEL 1050SDCT
with mid shelf and double doors



MODEL 1050SCCT
with two cupboards and double doors

PRODUCT DETAILS

- 1000 x 500mm trolley with two swivel/braked castors and two swivel castors.
- Constructed from steel angle with braced galvanised steel top.
- Choose from four versions.

STANDARD FRAME COLOUR CHOICES:*

			
RAL5010 Sapphire Blue	BS00A05 Light Grey	14C39 Green	RAL7016 Dark Grey
			
RAL9006 Silver	RAL3000 Red	RAL9003 White	RAL9005 Black Satin Finish
			
BS356 Yellow			

*Non-standard colours are available for volume orders. Please ask for details.

STANDARD SIZES TOOL TROLLEYS

SIZE 1000 x 500mm		WITH CASTORS
MODEL	CODE	
Top and base only	1050ST	
With single cupboard	1050SCT	
With double doors	1050SDCT	
With two cupboards	1050SCCT	

STANDARD HEIGHT 840MM CAN BE VARIED TO ORDER

CALL: 01457 837 146 EMAIL: SALES@BENCHMASTER.UK

NO ASSEMBLY REQUIRED SIMPLY UNLOAD AND START WORKING 

BESPOKE AND STANDARD TROLLEYS

BENCHMASTER SPECIALISE IN MANUFACTURING BESPOKE TROLLEYS ALONGSIDE A RANGE OF STANDARD TROLLEYS

Our trolleys come in a number of sizes and combinations. They are custom-made from steel and come fully welded and ready to use. The trolleys are mounted on blue elastic non-marking castors and are available in a number of colours.



MODEL PLT1070
Platform Truck



MODEL PLSHT
Plate / Sheet Trolley



MODEL STT5
Storage Trolley



MODEL BSKT
Basket Trolley, Mesh sides and operator shelf

CODE	MODEL	CODE	MODEL
PT1050	Picking Trolley	STT5	Storage Trolley
PT1160	Picking Trolley	PLTM1060	Platform truck
TTD1060	Multi Tier Trolley	PLTM1070	Platform truck
TTT1060	Multi Tier Trolley	PLTM1280	Platform truck
BSKT	Basket Trolley	PCLC	Parcel Cage
BTLT	Bottle Trolley	PLSHT	Plate/Sheet Trolley
LRCK10	Louvre Panel Rack	PLT1070	Platform Truck
LRCK14	Louvre Panel Rack	PLT1280	Platform Truck
LRCKM10	Louvre Panel Rack	SCKT	Sack Truck
LRCKM14	Louvre Panel Rack	SHRK	Sheet Rack

STANDARD FRAME COLOUR CHOICES:*



RAL5010
Sapphire Blue



BS00A05
Light Grey



14C39
Green



RAL7016
Dark Grey



RAL9006
Silver



RAL3000
Red



RAL9003
White



RAL9005
Black Satin
Finish



BS356
Yellow

*Non-standard colours are available for volume orders. Please ask for details.

For full range, please visit www.trolley-master.co.uk

CONTACT US FOR A **NO OBLIGATION QUOTE** ON OTHER SIZES & SPECIFICATIONS

FREE DELIVERY ON ALL WORKBENCHES TO MOST AREAS OF THE UK 

CABINETS, DRAWERS & LOCKERS

LARGE RANGE OF STORAGE SOLUTIONS



CODE	MODEL	DIMENSIONS
CUP2DMD	Two drawer unit	Two drawer unit - 610h x 457w x 457d mm
CUP3DMD	Three drawer unit	Three drawer unit - 610h x 457w x 457d mm
CUP4DMD	Four drawer unit	Four drawer unit - 610h x 457w x 457d mm
CUP5DMD	Five drawer unit	Five drawer unit - 610h x 457w x 457d mm
CUPSDMD	Cupboard/Drawer	Cupboard/drawer - 610h x 457w x 457d mm
BMA	Cabinet with two fixed shelves and lockable a door	BMA - 915h x 457w x 457d mm
BMD	Cabinet with drawer, one shelf and lockable door	BMD - 915h x 457w x 457d mm
BMF	Cabinet with 8 drawer unit and lockable door	BMF - 915h x 457w x 457d mm
BMG	Cabinet with 8 drawer unit without lockable door	BMG - 915h x 457w x 457d mm
BMH	Unit with two shelves and lockable double doors	BMH - 915h x 915w x 457d mm
BMHLS	Yellow hazard cupboard with one shelf, sumps, hazard stickers and lockable doors	BMHLS - 915h x 915w x 457d mm

Standard colour is dark grey (RAL7016). For other colour options, please refer to page 3 (Medium Duty).

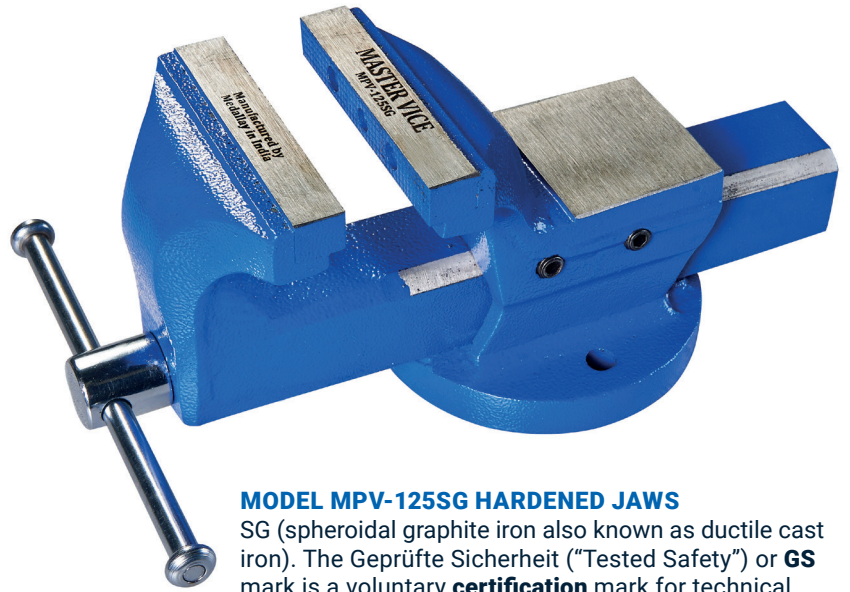
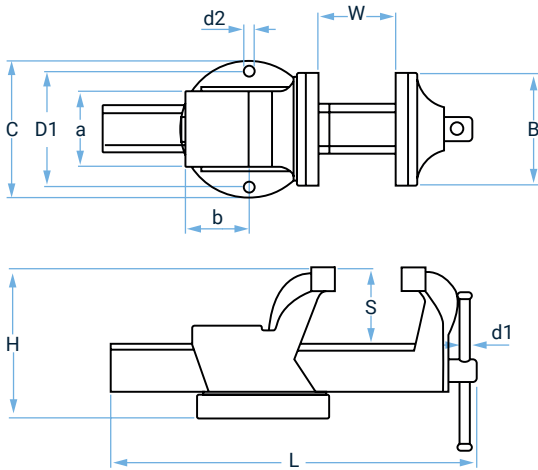
All doors include a chrome finished camlock that can be locked with a padlock.

CALL: 01457 837 146 EMAIL: SALES@BENCHMASTER.UK

NO ASSEMBLY REQUIRED SIMPLY UNLOAD AND START WORKING

VICE & BASES

AVAILABLE IN 4 SIZES



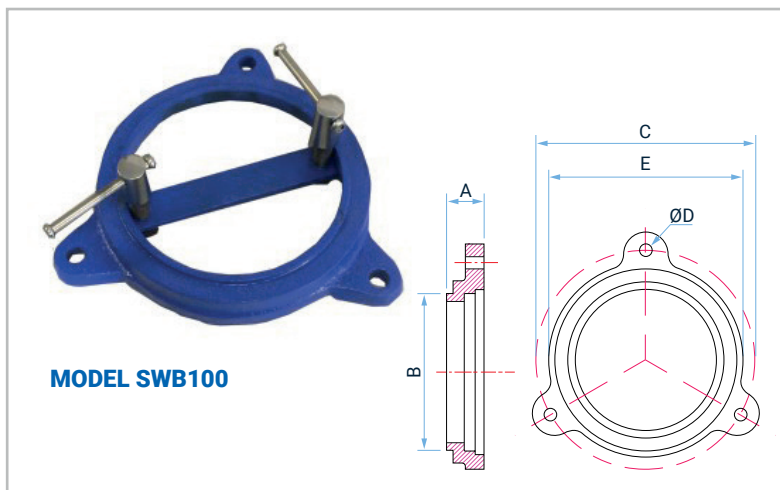
MODEL MPV-125SG HARDENED JAWS

SG (spheroidal graphite iron also known as ductile cast iron). The Geprüfte Sicherheit ("Tested Safety") or **GS** mark is a voluntary **certification** mark for technical equipment. It indicates that the equipment meets German and, if available, European safety requirements for such devices.

MASTER VICE DATA

MPV - MASTER VICE	CODE	UNIT	MPV-100SG 4"	MPV-125SG 5"	MPV-150SG 6"	MPV-175SG 7"
SIZE		mm	100	125	150	175
TOTAL LENGTH	L	mm	305	355	455	530
THROAT DEPTH	S	mm	66	82	104	108
JAWS SIZE	B	mm	105	130	152	182
JAWS OPENING	W	mm	102	125	152	180
ANVIL SIZE	axb	mm	73x58	78x73	90x84	104x99
BASE DIAMETER	C	mm	128	145	165	190
HOLE CENTRES	d2	mm	11	14	14	14
HOLE DISTANCE	D1	mm	99	120	133	154
HEIGHT OF VICE	H	mm	130	155	180	210
HANDLE DIAMETER	d1	mm	16	16	20	20
CLAMPING FORCE	KG	n	15000	20000	30000	35000

DIMENSIONS SUBJECT TO CASTING VARIANCES



MODEL SWB100

SWIVEL BASE DATA

SWIVEL BASE	SWB100	SWB125	SWB150	SWB175
SIZE MM	100	125	150	175
A	26.0	30.0	27.5	29.5
B	107.0	125.0	140.0	165.0
C	150.0	165.0	190.0	221.0
ØD	10.0	11.0	12.0	12.0
E	134.5	152.0	170	206.5

DIMENSIONS SUBJECT TO CASTING VARIANCES

CONTACT US FOR A **NO OBLIGATION QUOTE** ON OTHER SIZES & SPECIFICATIONS

FREE DELIVERY ON ALL WORKBENCHES TO MOST AREAS OF THE UK 

CHAIRS / STOOLS

LARGE RANGE OF CHAIRS AND STOOLS TO SUIT EVERY BUDGET

If you prefer to work at your workbench or table sat down, then choose from a wide range of chairs and stools. We offer ergonomic anti-static chairs and polyurethane high stools. Some of the range available come in feet and castors and the choice of fabric or vinyl. In some cases you can choose from a number of different colours. Check out the specification table for more details.



MODEL C10



MODEL C160

BENCHMASTER PART	DESCRIPTION	FEET OR CASTORS. F AND OR C	COLOUR OPTIONS
C10	IU low chair with 430-570 HA	F C	Fabric: charcoal, blue, red,brown and silver Vinyl: black,blue,green and red
C20	IU high chair 550-800 HA. Fixed steel foot ring	F	Fabric: charcoal, blue, red,brown and silver Vinyl: black,blue,green and red
C20	IU high chair 550-800 HA. Fixed steel foot ring and castors	C	Fabric: charcoal, blue, red,brown and silver Vinyl: black,blue,green and red
C30	Low chair 550-740mm HA	F C	Fabric: charcoal, blue, red,brown and silver Vinyl: black,blue,green and red
C40	High chair 600-870mm HA.Steel foot ring	F C	Fabric: charcoal, blue, red,brown and silver Vinyl: black,blue,green and red
C50	ESD chair with 430-570 HA. EN61340-5-1 . 2001	F	Fabric: charcoal, blue Vinyl: black
C60	ESD chair with 450-590 HA. EN61340-5-1 . 2001	C	Fabric: charcoal, blue Vinyl: black
C70	ESD chair 550-800 HA. Fixed steel foot ring. Fixed foot ring. EN61340-5-1 . 2001	F	Fabric: charcoal, blue Vinyl: black
C70	ESD chair 550-800 HA. Fixed steel foot ring. Fixed foot ring. EN61340-5-1 . 2001 castors	C	Fabric: charcoal, blue Vinyl: black
C80	ESD ergonomic chair 450-590 HA. EN61340-5-1 . 2001	F C	Fabric: charcoal, blue Vinyl: black
C90	ESD ergonomic high chair 500-690 HA. Steel foot ring. EN61340-5-1 . 2001	F C	Fabric: charcoal, blue Vinyl: black
C100	ESD fully ergonomic chair 430-570 HA. EN61340-5-1 . 2001	F C	Fabric: charcoal, blue Vinyl: black
C110	ESD fully ergonomic high chair 500-690 HA. Steel foot ring. EN61340-5-1 . 2001	F C	Fabric: charcoal, blue Vinyl: black
C120	Contoured polyurethane seat and back. Low chair. 470-600 HA	F C	Black polyurethane only
C130	Contoured polyurethane seat and back. High chair 550-800 HA. Steel foot ring	F C	Black polyurethane only
C140	Fully ergonomic office low chair. 440-570 HA	F C	Fabric: charcoal, blue, red,brown and silver Vinyl: black,blue,green and red
C150	Fully ergonomic draughtsman's high chair. 620-880 HA. Steel foot ring	F C	Fabric: charcoal, blue, red,brown and silver Vinyl: black,blue,green and red
C160	Industrial cushioned polyurethane low stool. 460-660 HA	F C	Black polyurethane only
C170	Industrial cushioned polyurethane high stool. 550-800 HA. Fixed steel foot ring	F	Black polyurethane only
C170	Industrial cushioned polyurethane high stool. 550-800 HA. Fixed steel foot ring castors	C	Black polyurethane only
C180	Industrial cushioned polyurethane posture stool. 680-800 HA	F C	Black polyurethane only

For all images visit www.benchmaster.uk/chair

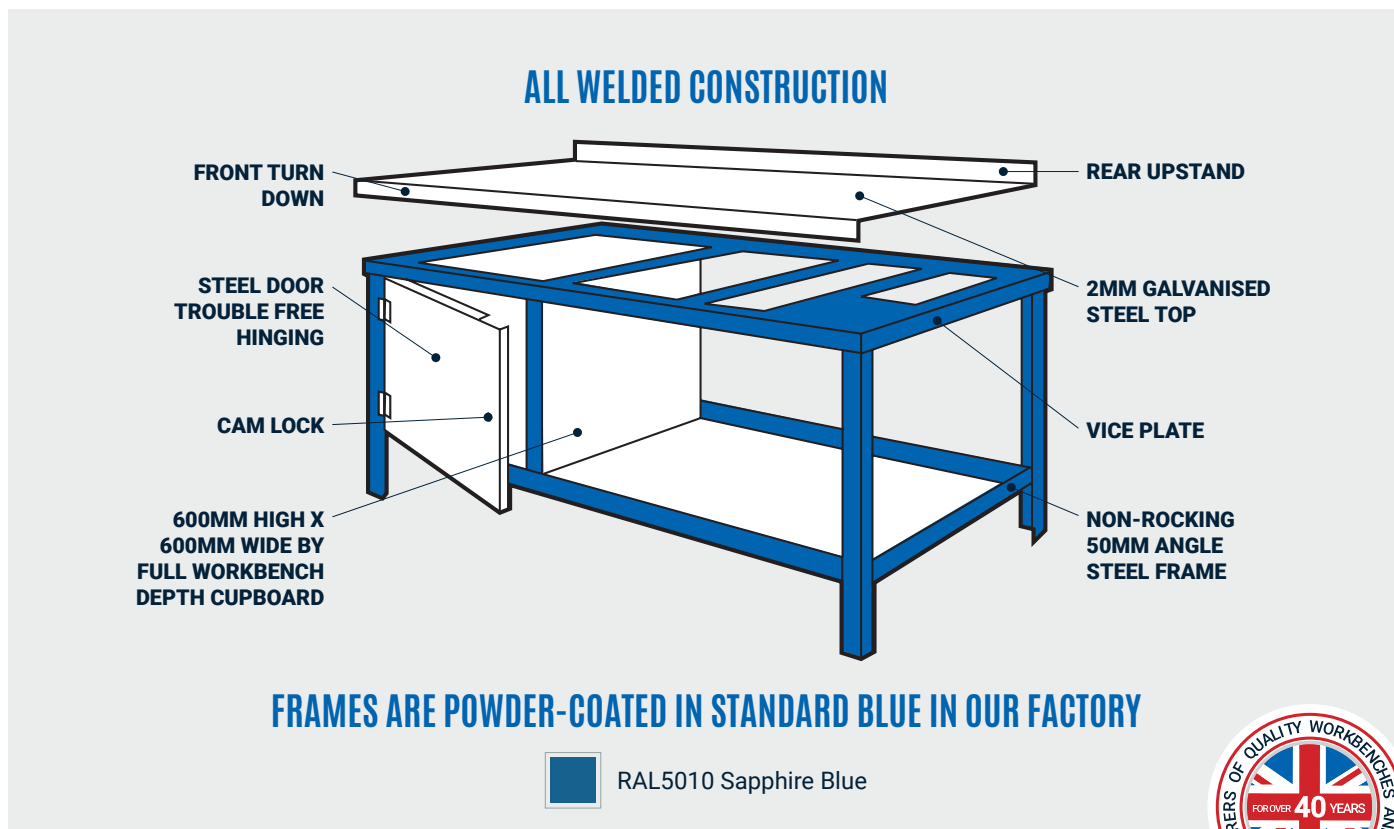
CALL: 01457 837 146 EMAIL: SALES@BENCHMASTER.UK

NO ASSEMBLY REQUIRED SIMPLY UNLOAD AND START WORKING 

QUALITY WORKBENCHES, TROLLEYS & CABINETS

THE STRENGTH IS IN THE FRAME

The workbenches have a substantial steel frame on which all joints are carefully welded. The workbench features a bottom shelf and cupboard plus a built in vice plate and a rear upstand (which can be omitted on request) to prevent things falling off.



READY FOR IMMEDIATE USE

All our steel workbenches, tool trolleys and cabinets are manufactured in the UK. Our products are supplied to a multitude of customers throughout the UK but particularly to the motor trade, the electronics industry and heavy engineering.

Our workbenches are manufactured in the UK to high quality standards and are ready to use.

Delivery is free (to most parts of the UK) and our workbenches are usually delivered within 10 working days.

The workbenches are all steel framed units, available as medium duty workbenches, heavy duty workbenches and super heavy duty workbenches.

They are also available as mobile workbenches and tool trolleys to allow fitters or engineers to take the workbench to the job.

We supply a comprehensive range of accessories including vices, shelves, drawers and cupboards and we will be happy to quote for any non-standard units or accessories that you may require.

VISIT OUR WEBSITE TO SEE CASE STUDIES.



BENCHMASTER LIMITED RIVERSIDE ESTATE, EGMONT STREET, MOSSLEY, LANCASHIRE, OL5 9PY
T 01457 837146 F 01457 837981 E SALES@BENCHMASTER.UK W WWW.BENCHMASTER.CO.UK

FREE DELIVERY ON ALL WORKBENCHES TO MOST AREAS OF THE UK 