

Extra Strong All Steel Fully Welded Ready to Use

The Strength is
in the Frame

- Medium Duty Workbenches
- Heavy Duty Workbenches
- Super Heavy Duty Workbenches
- Mobile Workbenches
- Tool and Bespoke Trolleys
- Range Of Accessories
- Packing Workbenches

Free Delivery on All Workbenches
to most areas of the UK



No Assembly Required Simply
Unload and Start Working



Medium Duty Workbenches



Fully Welded, Ready to Use

Medium Duty Workbenches are ideal for all but the heaviest of tasks. We have a comprehensive range with a large selection of optional extras to suit every purpose. They are fully welded and come ready to use with a choice of tops - MDF, Laminate, ESD (statically dissipative) galvanised steel, stainless steel and black rubber on galvanised steel. The standard height is 840mm but we can make them to any height for a small charge.



Model AB1575S 1500 x 750
Galvanised steel top medium duty workbench.



Model AB1260L 1200 x 600
Laminate top medium duty workbench.



Model AB2075L 2000 x 750
Laminate top medium duty workbench with: 5 drawer unit, cupboard, louvre and tool panels with support bars, light rail, fluorescent light and bench top trunking with two twin sockets (supplied unwired).

Product Details

- Medium Duty Workbenches constructed from hollow section steel and are fully welded.
- Levelling feet.
- Ideal for the assembly of small components especially for the electronics industry but equally useful as packing workbenches.
- Large choice of sizes and specifications available.
- We can vary manufacture to more closely match your specification - please ask.
- NOT flat pack.
- Workbench frame standard finish is blue RAL5010.
- Other colours available.
- MDF, Laminate and ESD Laminate worktops overlap the workbench frame by 10mm on all sides.
- Galvanised steel, stainless steel, black rubber on galvanised steel

Choice Of Worktop: MDF, Laminate, ESD Laminate, Steel, Galvanised Steel, Stainless Steel and Black Rubber on Galvanised Steel

CONTACT US FOR A NO OBLIGATION QUOTE ON OTHER SIZES & SPECIFICATIONS

Free Delivery on All Standard Workbenches to most areas of the UK





Model AB1260M 2000 x 900
MDF top medium duty workbench.



Standard Frame Colour Choices:*



RAL5010
Sapphire Blue



BS00A05
Light Grey



14C39
Green



RAL7016
Dark Grey



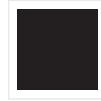
RAL9006
Silver



RAL3000
Red



RAL9003
White



RAL9005
Black Satin
Finish



BS356
Yellow

*Non-standard colours are available for volume orders. Please ask for details.

Standard Sizes Medium Duty Workbenches

*ESD is electrical static dissipative

Workbench Size	MDF Top	Laminate Top	ESD Laminate Top*	Galvanised Steel Top	3mm Black Rubber Bonded to Galvanised Steel
Length & Depth (mm)	Code	Code	Code	Code	Code
1200 x 600	AB1260M	AB1260L	AB1260LE	AB1260S	AB1260RS
1200 x 750	AB1275M	AB1275L	AB1275LE	AB1275S	AB1275RS
1200 x 900	AB1290M	AB1290L	AB1290LE	AB1290S	AB1290RS
1500 x 600	AB1560M	AB1560L	AB1560LE	AB1560S	AB1560RS
1500 x 750	AB1575M	AB1575L	AB1575LE	AB1575S	AB1575RS
1500 x 900	AB1590M	AB1590L	AB1590LE	AB1590S	AB1590RS
1800 x 600	AB1860M	AB1860L	AB1860LE	AB1860S	AB1860RS
1800 x 750	AB1875M	AB1875L	AB1875LE	AB1875S	AB1875RS
1800 x 900	AB1890M	AB1890L	AB1890LE	AB1890S	AB1890RS
2000 x 600	AB2060M	AB2060L	AB2060LE	AB2060S	AB2060RS
2000 x 750	AB2075M	AB2075L	AB2075LE	AB2075S	AB2075RS
2000 x 900	AB2090M	AB2090L	AB2090LE	AB2090S	AB2090RS
2000 x 1200	AB2012M	AB2012L	-	AB2012S	AB2012RS

Standard Height 840mm can be Varied to Order

Optional Extra Items:

- Cupboard
- Single Painted Drawer
- Cupboard with Integral Single Drawer
- 13 Amp Twin Socket
- Fluorescent Light
- LED Light
- Upper Shelf
- Bottom Shelf
- Louvre and Tool Panels
- Bench Top Trunking
- Two Drawer Unit
- Three Drawer Unit
- Four Drawer Unit
- Five Drawer Cupboard Unit



400mm Painted Steel Drawer...
...can be fitted as an extra item.

T: 01457 833181 E: SALES@JASENG.CO.UK

No Assembly Required Simply Unload and Start Working 

Heavy Duty Workbenches



Quality Materials and Quality Workmanship

Heavy Duty Workbenches are supplied fully welded and ready to use. All are supplied with a bottom shelf and a locking cupboard as standard but can be supplied without the cupboard if requested. A comprehensive range of optional extras makes these robust benches perfect for every situation. We offer three standard lengths and three standard depths, but other widths and depths are available on request. The standard height is 840mm but we can make them to any height for a small charge.



Model 1575WC
with wood top cupboards and bottom shelf.



Model 1260SC
with galvanised steel top, cupboards left hand side and bottom shelf.

Product Details

- Constructed from steel angle with braced galvanised steel top, 45mm solid wood top or rubber over steel.
- Choice of four standard lengths in the static workbenches range, each of which is available in three depths.
- Cupboards measure 600mm x 600mm by workbench depth.
- Wood tops overlap stated size by approx. 10mm on front and both sides.
- All Heavy Duty Workbenches include as standard:
Bottom Shelf
Vice Plate welded under the front right hand corner
Rear Upstand
Single Cupboard

Choice Of Worktop: Steel, Wood or Rubber over Steel

Standard Sizes Heavy Duty Workbenches

Workbench Size	Galvanised Steel Top	45mm Solid Wood Top	3mm Black Rubber Bonded to Galvanised Steel
Length & Depth (mm)	Code	Code	Code
1200 X 600	1260SC	1260WC	1260RSC
1200 X 750	1275SC	1275WC	1275RSC
1200 X 900	1290SC	1290WC	1290RSC
1500 X 600	1560SC	1560WC	1560RSC
1500 X 750	1575SC	1575WC	1575RSC
1500 X 900	1590SC	1590WC	1590RSC
1800 X 600	1860SC	1860WC	1860RSC
1800 X 750	1875SC	1875WC	1875RSC
1800 X 900	1890SC	1890WC	1890RSC
2000 X 600	2060SC	2060WC	2060RSC
2000 X 750	2075SC	2075WC	2075RSC
2000 X 900	2090SC	2090WC	2090RSC

Standard Height 840mm can be Varied to Order

Optional Extra Items:

- Second Cupboard
- Single Drawer
- Two Drawer Unit
- Three Drawer Unit
- Four Drawer Unit
- Five Drawer Cupboard Unit
- Fluorescent Light
- LED Light
- Trunking
- Louvre / Tool Panels
- Cupboard & Single Drawer
- Upper Shelf

CONTACT US FOR A NO OBLIGATION QUOTE ON OTHER SIZES & SPECIFICATIONS

Free Delivery on All Standard Workbenches to most areas of the UK



Super Heavy Duty Workbenches



Fully Welded and Ready to Use



Model 2075WSC
Galvanised steel over wood top.

Standard Frame Colour Choices:*



RAL5010
Sapphire Blue



BS00A05
Light Grey



14C39
Green



RAL7016
Dark Grey



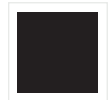
RAL9006
Silver



RAL3000
Red



RAL9003
White



RAL9005
Black Satin
Finish



BS356
Yellow

*Non-standard colours are available for volume orders. Please ask for details.

Product Details

- Constructed from steel angle with 45mm solid wood top covered in galvanised steel.
- Choice of four standard lengths in the static workbench range, each of which is available in three depths.
- Cupboards measure 600mm x 600mm by workbench depth.
- All Super Heavy Duty Workbenches include as standard:
Bottom Shelf
Vice Plate welded under the front right hand corner
Rear Upstand
Single Cupboard

Standard Sizes Super Heavy Duty Workbenches

Workbench Size	Galvanised Steel on 45mm Solid Wood Top	3mm Black Rubber Bonded to Galvanised Steel
Length & Depth (mm)	Code	Code
1200 X 600	1260WSC	1260WRSC
1200 X 750	1275WSC	1275WRSC
1200 X 900	1290WSC	1290WRSC
1500 X 600	1560WSC	1560WRSC
1500 X 750	1575WSC	1575WRSC
1500 X 900	1590WSC	1590WRSC
1800 X 600	1860WSC	1860WRSC
1800 X 750	1875WSC	1875WRSC
1800 X 900	1890WSC	1890WRSC
2000 X 600	2060WSC	2060WRSC
2000 X 750	2075WSC	2075WRSC
2000 X 900	2090WSC	2090WRSC

Standard Height 840mm can be Varied to Order

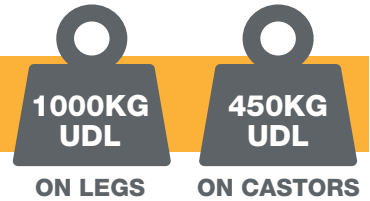
Optional Extra Items:

- Extra Cupboards
- Single Drawer
- Two Drawer Unit
- Three Drawer Unit
- Four Drawer Unit
- Five Drawer Cupboard Unit
- Fluorescent Light
- LED Light
- Trunking
- Louvre / Tool Panels
- Cupboard & Single Drawer
- Upper Shelf

T: 01457 833181 E: SALES@JASENG.CO.UK

No Assembly Required Simply Unload and Start Working

Mobile Workbenches



Maximum Mobility + Maximum Stability

Our mobile workbenches offer invaluable flexibility in use and positioning. A simple handle converts the bench from a sturdy, static workbench to a fully mobile and easy to manoeuvre one. Our unique system, fitted beneath, effortlessly lifts it off its four legs onto four wheels making the bench easily manoeuvrable anywhere within the work shop. Each workbench has a lockable cupboard and vice plate. For even more adaptability, we offer a choice of length and depth. Mobile workbenches are particularly useful to the service engineer and in the motor industry. Mounted on 100mm blue elastic non-marking castors.



Model 1260SCP
Shown with single cupboard.



Model 1260SFCP
Shown with single cupboard and 5 drawer unit.

Product Details

- Fully mobile workbenches.
- Stands on four legs when in use to give maximum stability, with the wheels off the floor.
- Simple lever action pushes down the under-carriage and takes the weight off the legs onto the castors, enabling easy movement of the complete unit.
- Worktop options are: galvanised steel, stainless steel, rubber on steel, and wood top.
- Two versions:
 - Standard cupboard (SCP models)
 - Five drawer unit and matching cupboard (SFCP models).
- All Mobile Workbenches include as standard:
 - Bottom Shelf
 - Vice Plate welded under the front right hand corner
 - Rear Upstand
 - Single Cupboard



Standard Sizes Mobile Workbenches

Workbench Size	Single Cupboard	5 Drawer & Cupboard	Single Cupboard Wood Top	5 Drawer Unit & Cupboard Wood Top	Single Cupboard Rubber on Steel	5 Drawer Unit & Cupboard Rubber on Steel
Length & Depth (mm)	Code	Code	Code	Code	Code	Code
1200 x 600	1260SCP	1260SFCP	1260WCP	1260WFCP	1260RSCP	1260RSFCP
1200 x 750	1275SCP	1275SFCP	1275WCP	1275WFCP	1275RSCP	1275RSFCP
1500 x 600	1560SCP	1560SFCP	1560WCP	1560WFCP	1560RSCP	1560RSFCP
1500 x 750	1575SCP	1575SFCP	1575WCP	1575WFCP	1575RSCP	1575RSFCP

Standard Height 840mm on Legs

Optional Extra Items:

- Second Cupboard
- Vice
- Single Drawer
- Two Drawer Unit
- Three Drawer Unit
- Four Drawer Unit
- Fluorescent Light
- LED Light
- Trunking
- Louvre / Tool Panels
- Cupboard & Single Drawer
- Upper Shelf

CONTACT US FOR A NO OBLIGATION QUOTE ON OTHER SIZES & SPECIFICATIONS

Free Delivery on All Standard Workbenches to most areas of the UK



Packing Workbenches

500KG
UDL

Fully Welded and Ready to Use

Packing workbenches are ideal for warehouses, workshops, distribution centres and many more sectors who are requiring a workbench on which to pack products. The packing workbench comes as standard with a number of accessories for storage.



Model PB1560M

Includes upper shelf, drawer right hand side, two rollers for bubble wrap and paper (bubble wrap and paper not included). Upper shelf supports are not included.



Model PKSD

Packing Stand - bubble wrap & paper roll not included.

Product Details

- Packing workbenches are fully welded and ready to use and come with an MDF top. This packing bench comes as a standard with an upper shelf and two bars.
- Other variations are available, please contact us on 01457 833181 for more details.
- The two bars supports a number of packing solutions including paper, bubble-wrap and cardboard.
- The standard height of the packing workbenches is 900mm. The uniformly distributed load (UDL) is 500kg for each standard packing workbench and is fitted with all metal levelling feet that have 12mm of adjustment on each leg.
- The lead time on the packing workbench range is approximately 10 working days.
- Other variations are available, please call for more details.

Standard Sizes Packing Workbenches

Workbench Size		MDF Top
Length & Depth (mm)	Code	
1200 X 600	PB1260M	
1200 X 750	PB1275M	
1200 X 900	PB1290M	
1500 X 600	PB1560M	
1500 X 750	PB1575M	
1500 X 900	PB1590M	
1800 X 600	PB1860M	
1800 X 750	PB1875M	
1800 X 900	PB1890M	
2000 X 600	PB2060M	
2000 X 750	PB2075M	
2000 X 900	PB2090M	

Standard Height 900mm can be Varied to Order

For other colour options, please refer to page 3 (Medium Duty).

T: 01457 833181 E: SALES@JASENG.CO.UK

No Assembly Required Simply Unload and Start Working 

Mobile Tool Cabinet



Storage Solutions on the Move

The mobile tool cabinet is available in a number of combinations such as standard cupboards, cupboard with single drawer and 5 drawer units to suit your needs. As standard they come with two swivel castors and two brakes to allow flexible movement at all times. There is a fluted rubber mat fitted to stop movement on the top. These are also available in a number of colours. The lead time on the mobile tool cabinet range is approximately **10 working days**.



Model MTT1
with 2 cupboards



Model MTT2
with cupboard and cupboard/single drawer



Model MTT3
with cupboard and 5 drawer unit



Model MTT4
with 2 cupboards / single drawers



Model MTT5
with 2 x 5 drawer units

Size 920mm Long x 460mm Deep x 820mm High

Code	Model
MTT1	Two standard cupboards
MTT2	Standard cupboard and cupboard/drawer
MTT3	Standard cupboard and 5 drawer unit
MTT4	Two cupboards/drawers
MTT5	Two 5 drawer units

For other colour options, please refer to page 3 (Medium Duty).

CONTACT US FOR A NO OBLIGATION QUOTE ON OTHER SIZES & SPECIFICATIONS

Free Delivery on All Standard Workbenches to most areas of the UK



Tool and Bespoke Trolleys

450KG
UDL

Quality Workmanship Using Top Quality Materials

Our tool trolleys are custom-made from top quality steel. Mounted on 100mm blue elastic non-marking, swivel and swivel braked castors for complete mobility, they provide excellent flexibility and adaptability in use. All models come with vice plate as standard. As with all JAS Engineering products, they are delivered fully assembled and ready for use.



Model 1050ST
with top and base



Model 1050SCT
with cupboard



Model 1050SDCT
with mid shelf and double doors



Model 1050SCCT
with two cupboards and double doors

Product Details

- 1000 x 500mm trolley with two swivel/braked castors and two swivel castors.
- Constructed from steel angle with braced galvanised steel top.
- Choose from four versions.

Standard Sizes Tool Trolleys

Size 1000 x 500mm		With Castors
Model	Code	
Top and base only	1050ST	
With single cupboard	1050SCT	
With double doors	1050SDCT	
With two cupboards	1050SCCT	
Standard Height 840mm can be Varied to Order		

Standard Frame Colour Choices:*



RAL5010
Sapphire Blue



BS00A05
Light Grey



14C39
Green



RAL7016
Dark Grey



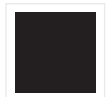
RAL9006
Silver



RAL3000
Red



RAL9003
White



RAL9005
Black Satin
Finish



BS356
Yellow

*Non-standard colours are available for volume orders. Please ask for details.

T: 01457 833181 E: SALES@JASENG.CO.UK

No Assembly Required Simply Unload and Start Working 

Cabinets, Drawers & Lockers

Large Range of Storage Solutions



Model CUP2DMD



Model BMF



Model BMH



Model BMA

Code	Model	Dimensions
CUP2DMD	Two drawer unit	Two drawer unit - 610h x 457w x 457d mm
CUP3DMD	Three drawer unit	Three drawer unit - 610h x 457w x 457d mm
CUP4DMD	Four drawer unit	Four drawer unit - 610h x 457w x 457d mm
CUP5DMD	Five drawer unit	Five drawer unit - 610h x 457w x 457d mm
CUPSDMD	Cupboard/Drawer	Cupboard/drawer - 610h x 457w x 457d mm
BMA	Cabinet with two fixed shelves and lockable a door	BMA - 915h x 457w x 457d mm
BMD	Cabinet with drawer, one shelf and lockable door	BMD - 915h x 457w x 457d mm
BMF	Cabinet with 8 drawer unit and lockable door	BMF - 915h x 457w x 457d mm
BMG	Cabinet with 8 drawer unit without lockable door	BMG - 915h x 457w x 457d mm
BMH	Unit with two shelves and lockable double doors	BMH - 915h x 915w x 457d mm
BMHLS	Yellow hazard cupboard with one shelf, sumps, hazard stickers and lockable doors	BMHLS - 915h x 915w x 457d mm

Standard colour is dark grey (RAL7016). For other colour options, please refer to page 3 (Medium Duty).

All doors include a chrome finished camlock that can be locked with a padlock.

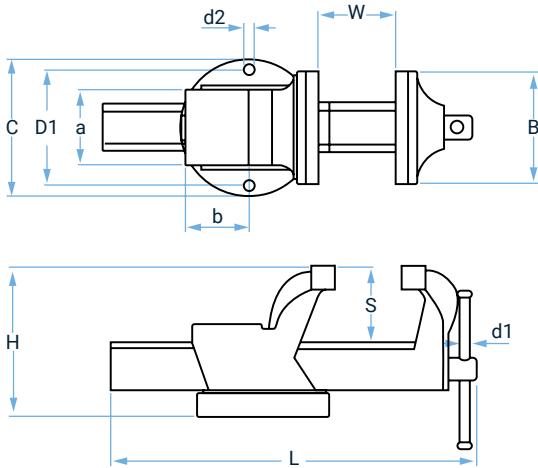
CONTACT US FOR A NO OBLIGATION QUOTE ON OTHER SIZES & SPECIFICATIONS

Free Delivery on All Standard Workbenches to most areas of the UK



Vice & Bases

Available in 4 Sizes



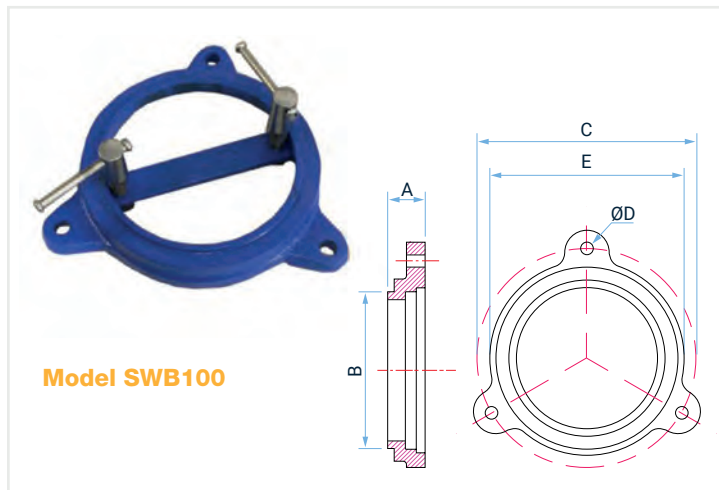
Model MPV-125SG Hardened Jaws

SG (spheroidal graphite iron also known as ductile cast iron). The Geprüfte Sicherheit ("Tested Safety") or GS mark is a voluntary certification mark for technical equipment. It indicates that the equipment meets German and, if available, European safety requirements for such devices.

Master Vice Data

MPV - Master Vice	Code	Unit	MPV-100SG 4"	MPV-125SG 5"	MPV-150SG 6"	MPV-175SG 7"
Size		mm	100	125	150	175
Total Length	L	mm	305	355	455	530
Throat Depth	S	mm	66	82	104	108
Jaws Size	B	mm	105	130	152	182
Jaws Opening	W	mm	102	125	152	180
Anvil Size	axb	mm	73x58	78x73	90x84	104x99
Base Diameter	C	mm	128	145	165	190
Hole Centres	d2	mm	11	14	14	14
Hole Distance	D1	mm	99	120	133	154
Height Of Vice	H	mm	130	155	180	210
Handle Diameter	d1	mm	16	16	20	20
Clamping Force	KG	n	15000	20000	30000	35000

Dimensions Subject to Casting Variances



Model SWB100

Swivel Base Data

Swivel Base	SWB100	SWB125	SWB150	SWB175
SIZE mm	100	125	150	175
A	26.0	30.0	27.5	29.5
B	107.0	125.0	140.0	165.0
C	150.0	165.0	190.0	221.0
ØD	10.0	11.0	12.0	12.0
E	134.5	152.0	170	206.5

Dimensions Subject to Casting Variances

T: 01457 833181 E: SALES@JASENG.CO.UK

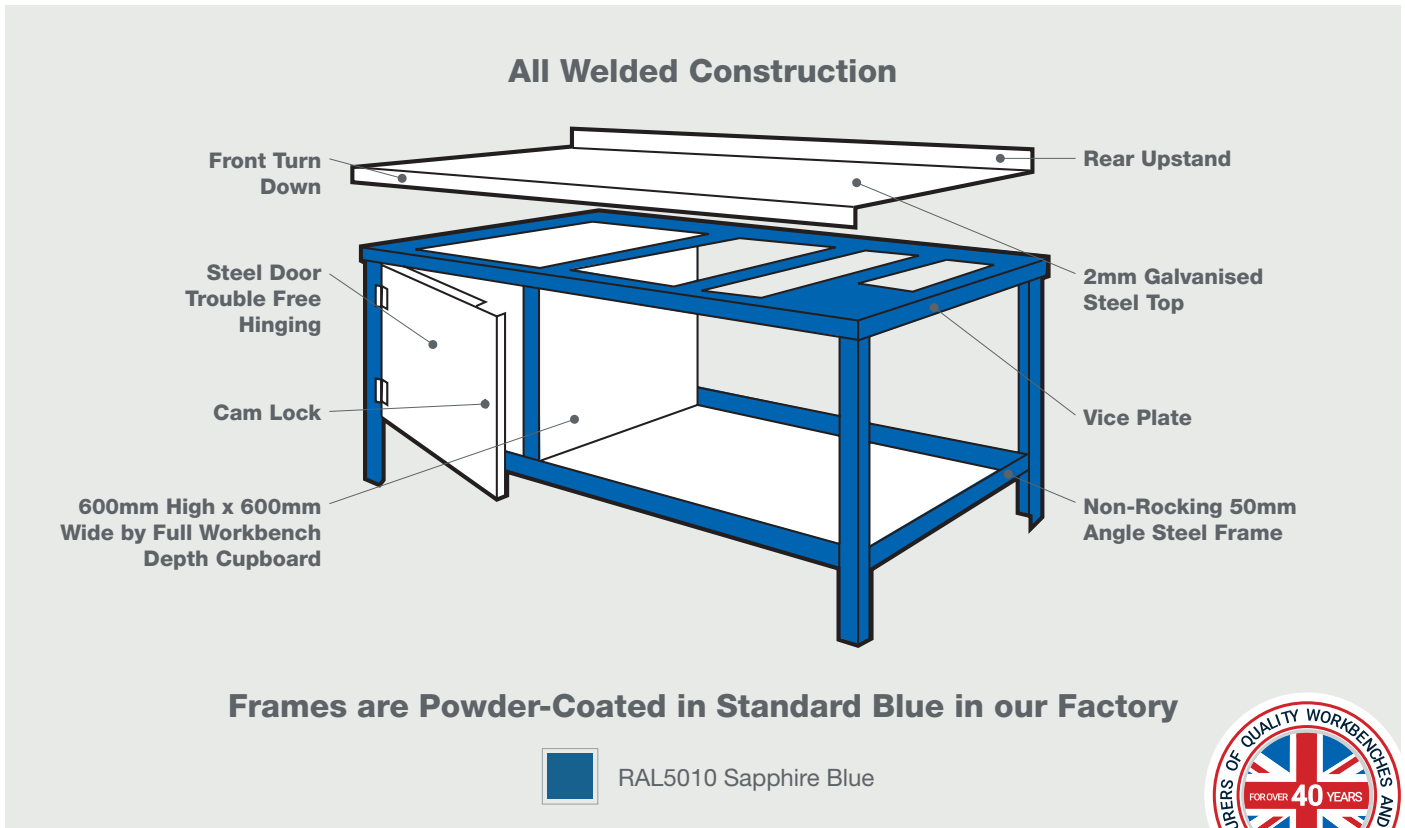
No Assembly Required Simply Unload and Start Working



Quality Workbenches, Trolleys & Cabinets

The Strength is in the Frame

The workbenches have a substantial steel frame on which all joints are carefully welded. The workbench features a bottom shelf and cupboard plus a built in vice plate and a rear upstand (which can be omitted on request) to prevent things falling off.



Ready for Immediate Use

All our steel workbenches, tool trolleys and cabinets are manufactured in the UK. Our products are supplied to a multitude of customers throughout the UK but particularly to the motor trade, the electronics industry and heavy engineering.

Our workbenches are manufactured in the UK to high quality standards and are ready to use.

Delivery is free (to most parts of the UK) and our workbenches are usually delivered within 10 working days.

The workbenches are all steel framed units, available as medium duty workbenches, heavy duty workbenches and super heavy duty workbenches.

They are also available as mobile workbenches and tool trolleys to allow fitters or engineers to take the workbench to the job.

We supply a comprehensive range of accessories including vices, shelves, drawers and cupboards and we will be happy to quote for any non-standard units or accessories that you may require.



JAS Engineering, Units 10 & 11, Riverside Estate,
Egmont Street, Mossley, Ashton-under-Lyne, Lancashire OL5 9PY

t: 01457 833181 f: 01457 837981 e: sales@jaseng.co.uk w: www.jaseng.co.uk

Free Delivery on All Standard Workbenches to most areas of the UK

