



HAYLE SOFA BED

ASSEMBLY INSTRUCTIONS

IMPORTANT:

Please read this manual carefully before beginning assembly of this product. Keep this manual for future reference.

SAFETY INFORMATION:

This item may contain small parts which can be swallowed by children and pets. Keep children and pets away whilst assembling. To avoid danger of suffocation, always keep plastic bags away from children and pets.

This product has been constructed to be used in the domestic environment only and not for commercial purposes.

Ensure that you have enough space to lay out all the components before assembly.

To avoid scratching, marking or damaging the product it is recommended that you assemble it on a carpet or soft surface.

We do not recommend the use of power tools for assembly as this could damage the unit.

CARE & MAINTENANCE:

Wipe regularly with clean water and a damp, clean, soft white cloth.

General cleaning can be done as needed with a mild detergent and water solution. Always rinse with clean water and dry. For heavy soiling, dampen a soft white cloth or soft bristle brush. Use care as scrubbing can damage the surface.

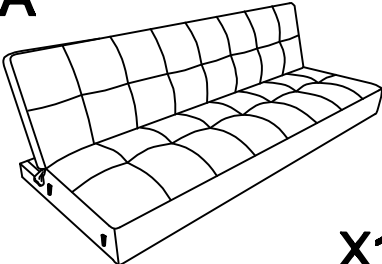
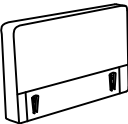
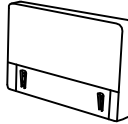
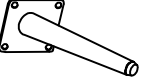
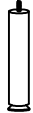


More difficult stains can be treated, but this should be occasional, not daily, cleaning. Any cleaning solution used must be removed with clean water and a clean white cloth. Cleaning residue left on the material can cause it to dry out and crack, or affect the colour.

DO NOT use any cleaners with corrosive ingredients (i.e lye, acids, bleach or ammonia).

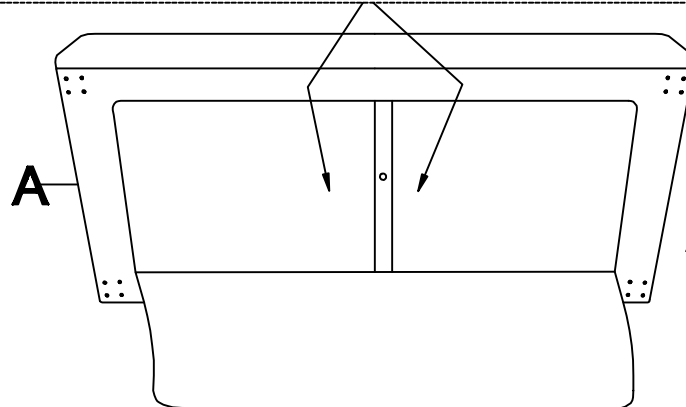
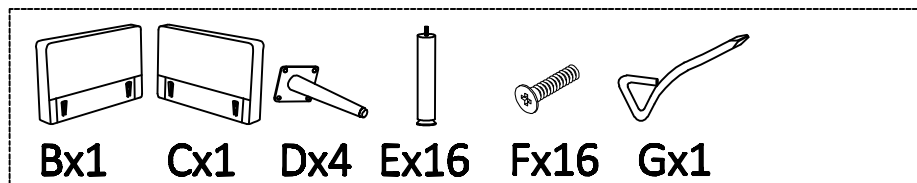
CAUTION:

Beware of entrapment. Keep hands and fingers clear of mechanisms. Ensure that children or pets are not playing or lying in the way when the mechanism is operated.

HAYLE SOFA BED ASSEMBLY INSTRUCTIONS

A  X1	B  X1	C  X1	D  X4
E  X1	F  X16	G  X1	

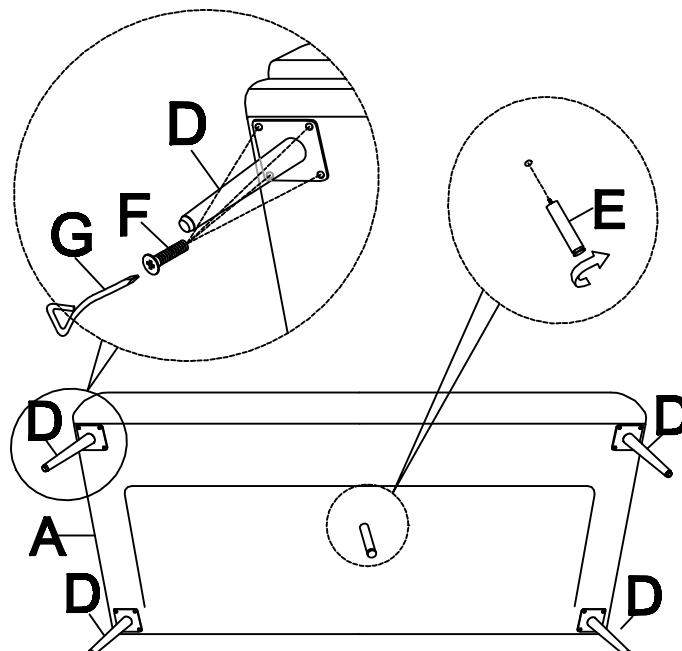
Step 1:



All components including arms can be found in the zipped compartment in the underside of the sofa bed.

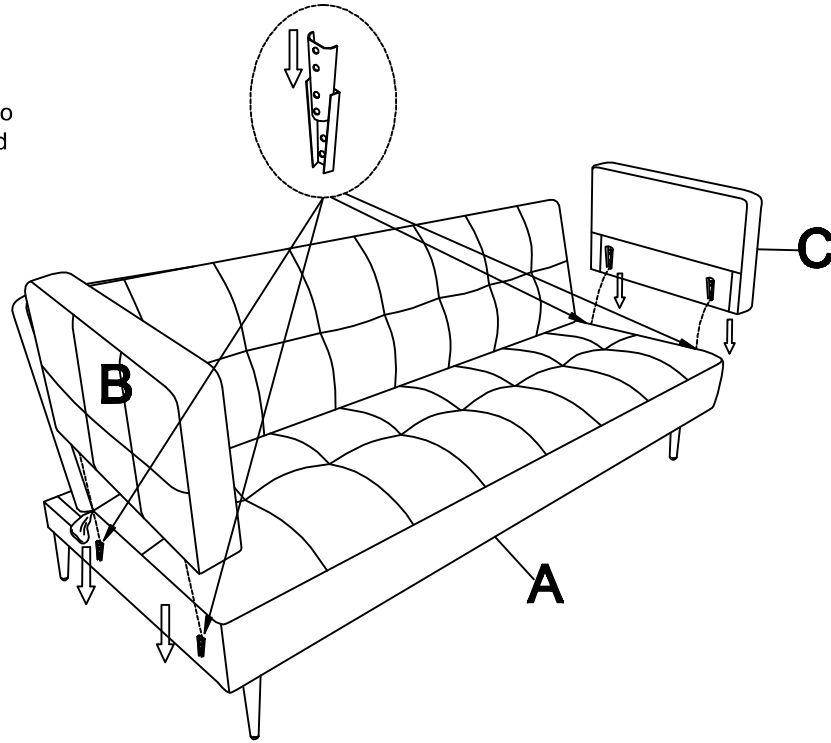
Step 2:

Screw in legs as per images shown. Take care in not overtightening. We advise that power tools are not used to avoid 'threading' or overtightening.

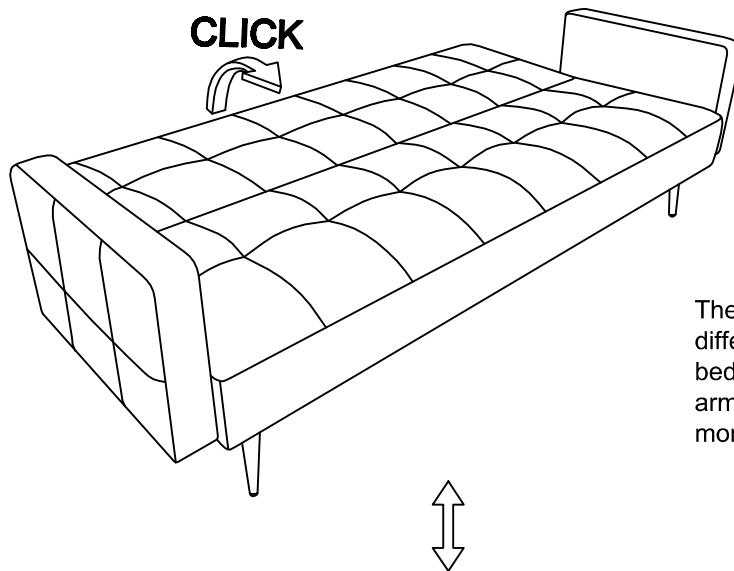


Step 3:

Carefully align the side arms into place with the brackets attached to the sofa bed & then push down until secure.



Step 4:



The back rest can be clicked into different positions. When in the bed position for sleeping the side arm(s) can be removed to allow more room if required.

Step 5:

