



# HAMPSTEAD DOUBLE BED ASSEMBLY INSTRUCTIONS

## **IMPORTANT:**

Please read this manual carefully before beginning assembly of this product. Keep this manual for future reference.

## **SAFETY INFORMATION:**

This item may contain small parts which can be swallowed by children and pets. Keep children and pets away whilst assembling. To avoid danger of suffocation, always keep plastic bags away from children and pets.

This product has been constructed to be used in the domestic environment only and not for commercial purposes.

Ensure that you have enough space to lay out all the components before assembly.

Assemble the item as close to its final position (within the same room) as possible.

To avoid scratching, marking or damaging the product it is recommended that you assemble it on a carpet or soft surface.

We do not recommend the use of power tools for assembly as this could damage the unit.

Assemble all parts, screws & bolts loosely during assembly. Only once the item is complete should you fully tighten the fixings.

The item can be assembled with one person but parts of the assembly maybe easier with the help of another person.

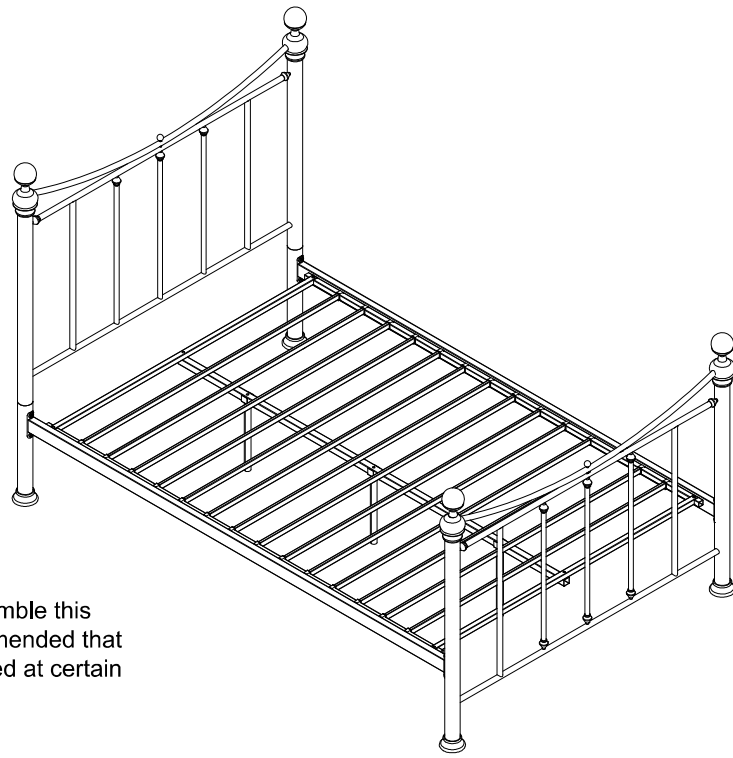
We recommend that the bed should be placed away from windows, blind cords, curtains pulls or other furniture if being used by a child.

Maximum recommended weight capacity of 200kg.

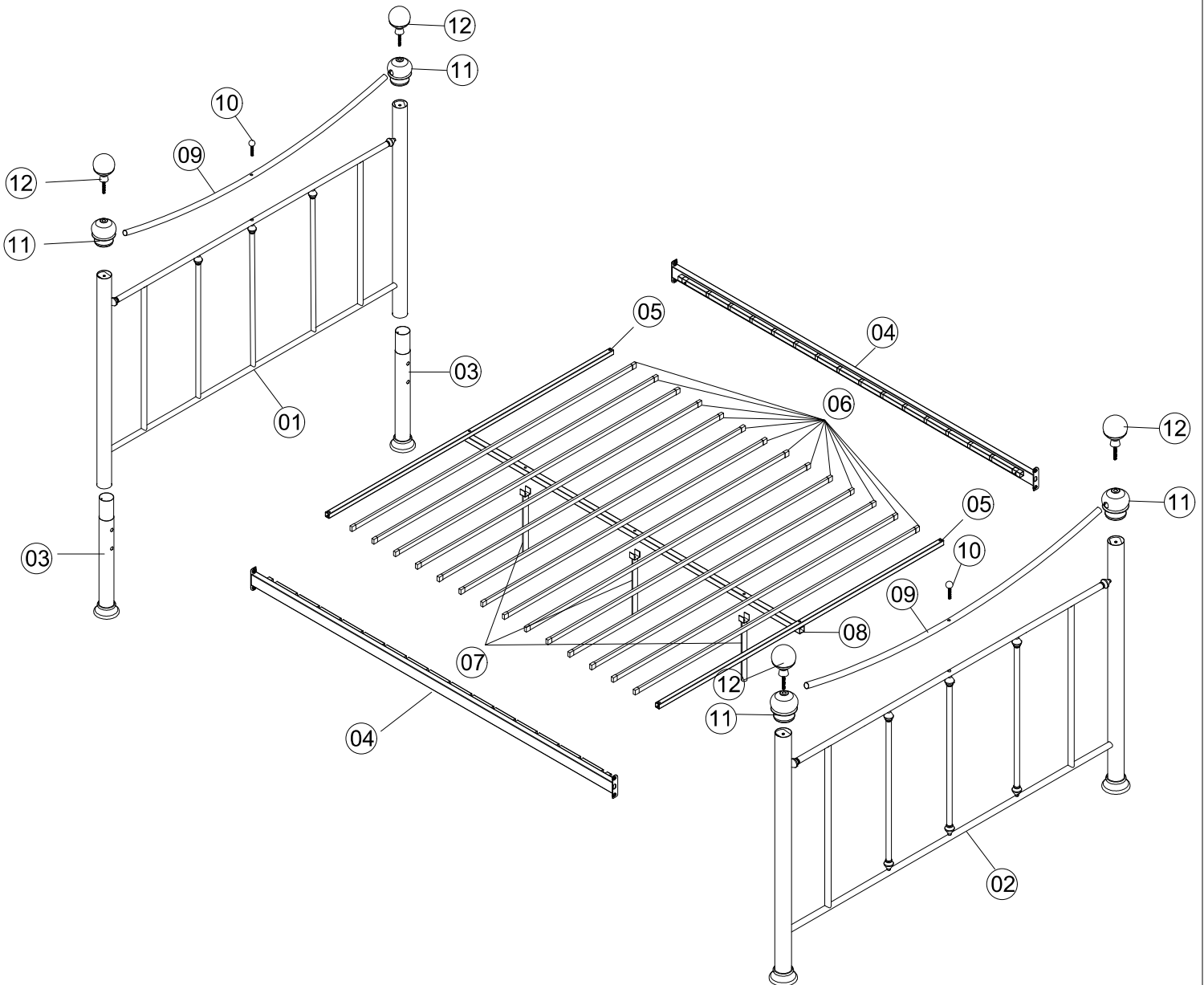
## **CARE & MAINTENANCE:**

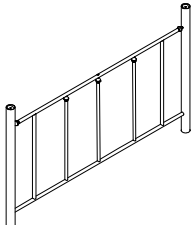
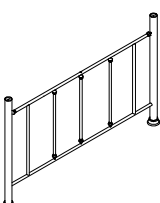

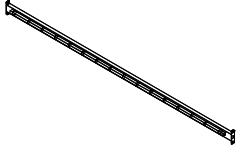
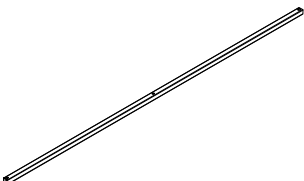
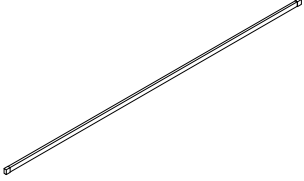
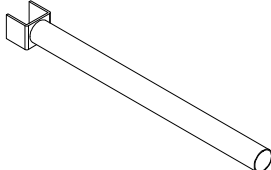
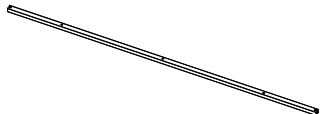
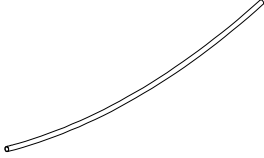

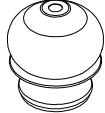

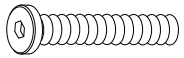
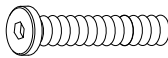

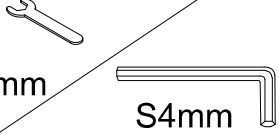
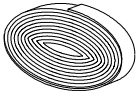
Use only a dry cloth when cleaning the product. Furniture polish or anything containing chemicals that can react with the product are not advised.

From time to time check that there are no loose screws, nuts or bolts. If there are then re-tighten.



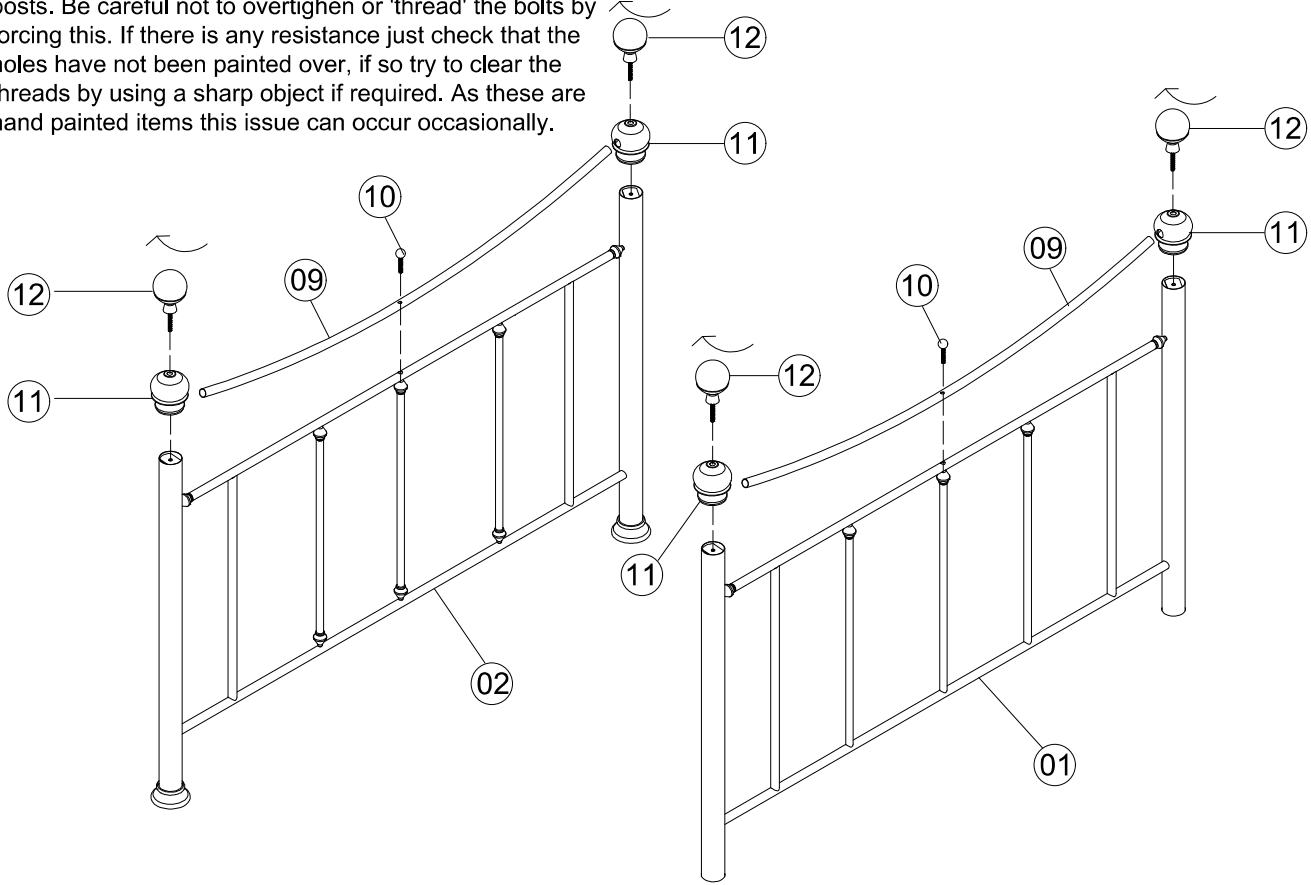
Whilst its relatively easy to assemble this bed with one person it is recommended that two people do this where required at certain stages of the build.



 <p>① × 1pc</p>	 <p>② × 1pc</p>	 <p>③ × 2pcs</p>	 <p>④ × 2pcs</p>
 <p>⑤ × 2pcs</p>	 <p>⑥ × 14pcs</p>	 <p>⑦ × 3pcs</p>	 <p>⑧ × 1pc</p>
 <p>⑨ × 2pcs</p>	 <p>⑩ × 2pcs</p>	 <p>⑪ × 4pcs</p>	 <p>⑫ × 4pcs</p>
 <p>M8×20mm A × 12pcs</p>	 <p>M6×30mm B × 9pcs</p>	 <p>M6 C × 4pcs</p>	 <p>D-1 × 1pc S10mm S4mm D × 1pc</p>
 <p>E × 1pc</p>			

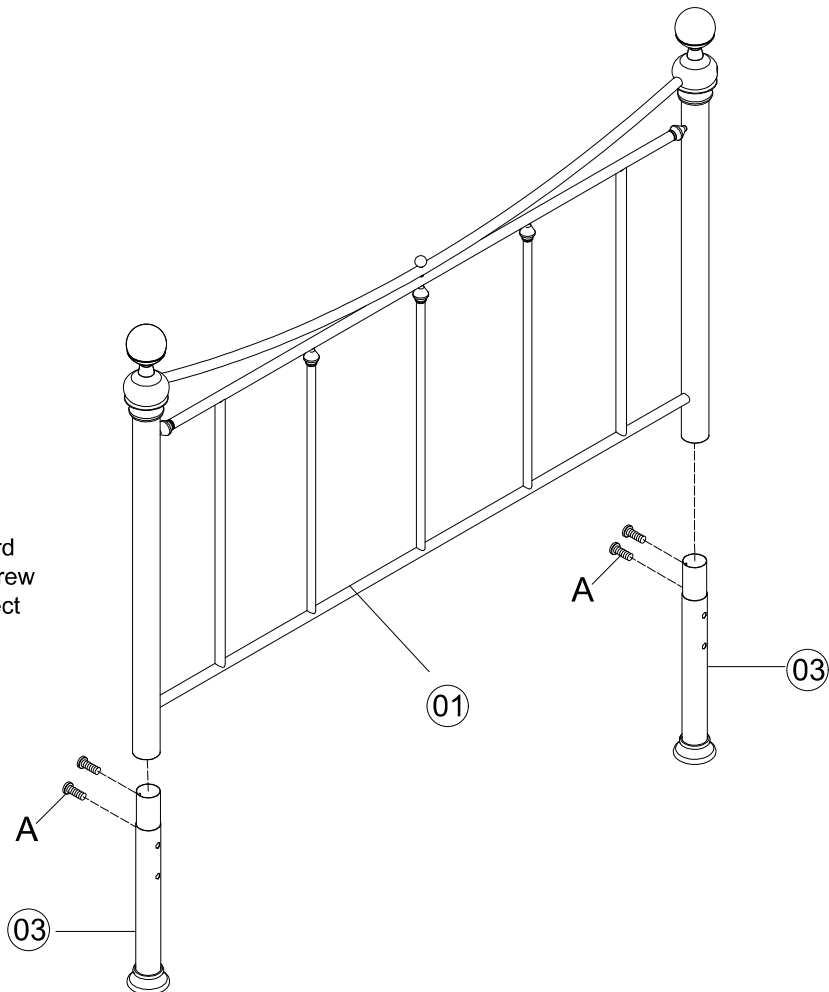
We recommend that all parts are laid out in advance of assembling the bed & to familiarise yourself with the items.

**1** Attach the ball housings & screw the end balls into the bed posts. Be careful not to overtighten or 'thread' the bolts by forcing this. If there is any resistance just check that the holes have not been painted over, if so try to clear the threads by using a sharp object if required. As these are hand painted items this issue can occur occasionally.



**2**

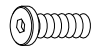
Slide the two lower headboard legs into the headboard & screw into place, ensuring the correct bolts are used.



M8×20mm

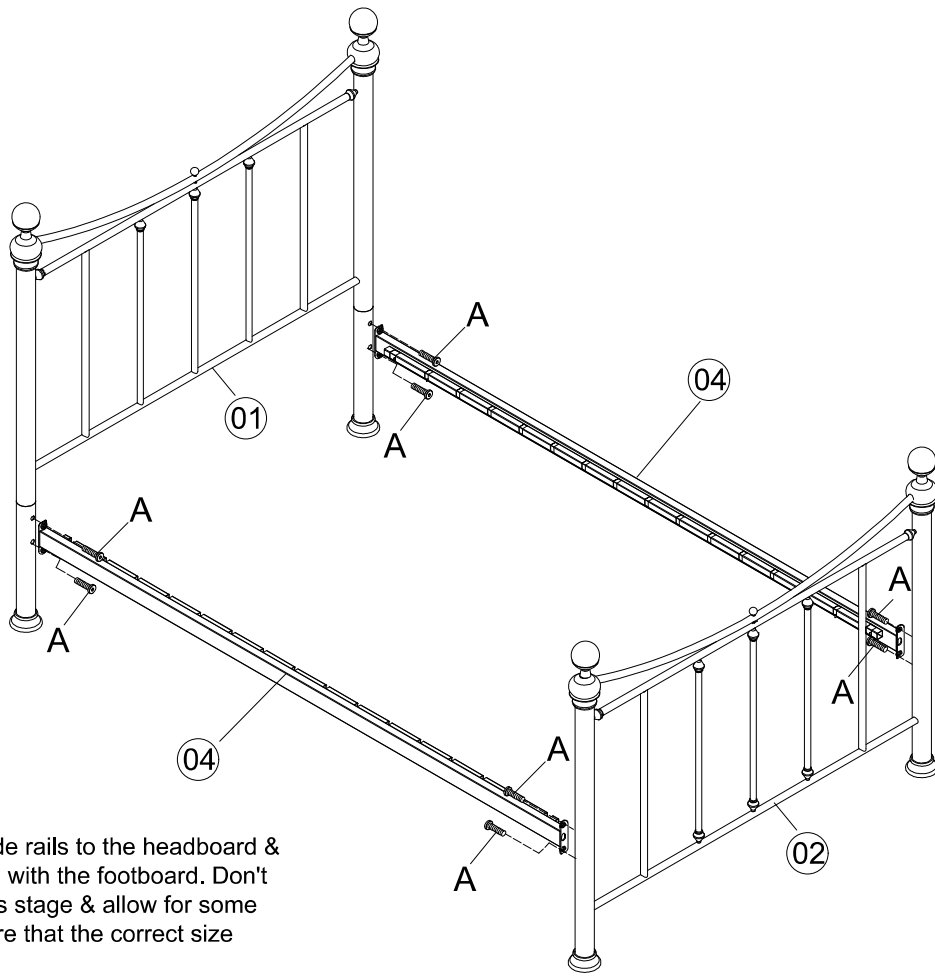
A × 4pcs

# 3



M8×20mm

A × 8pcs



Attach the two side rails to the headboard & then do the same with the footboard. Don't fully tighten at this stage & allow for some movement. Ensure that the correct size bolts are used.

# 4



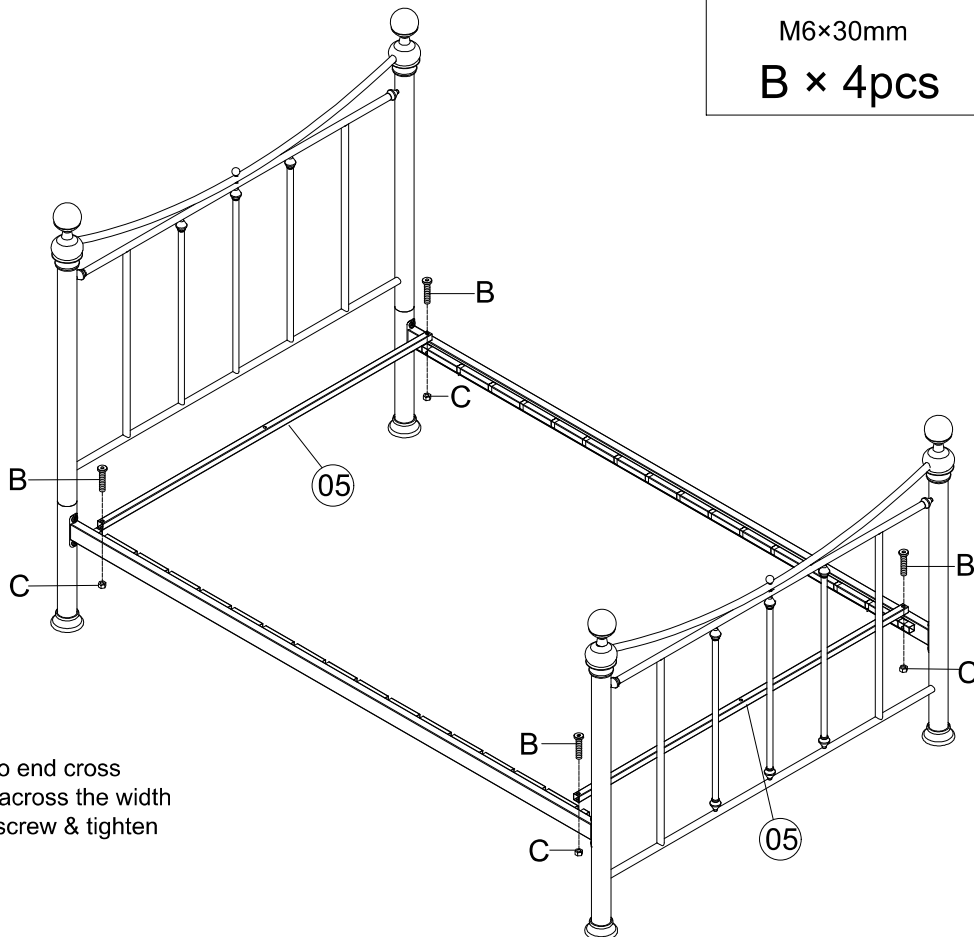
M6×30mm

B × 4pcs



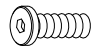
M6

C × 4pcs



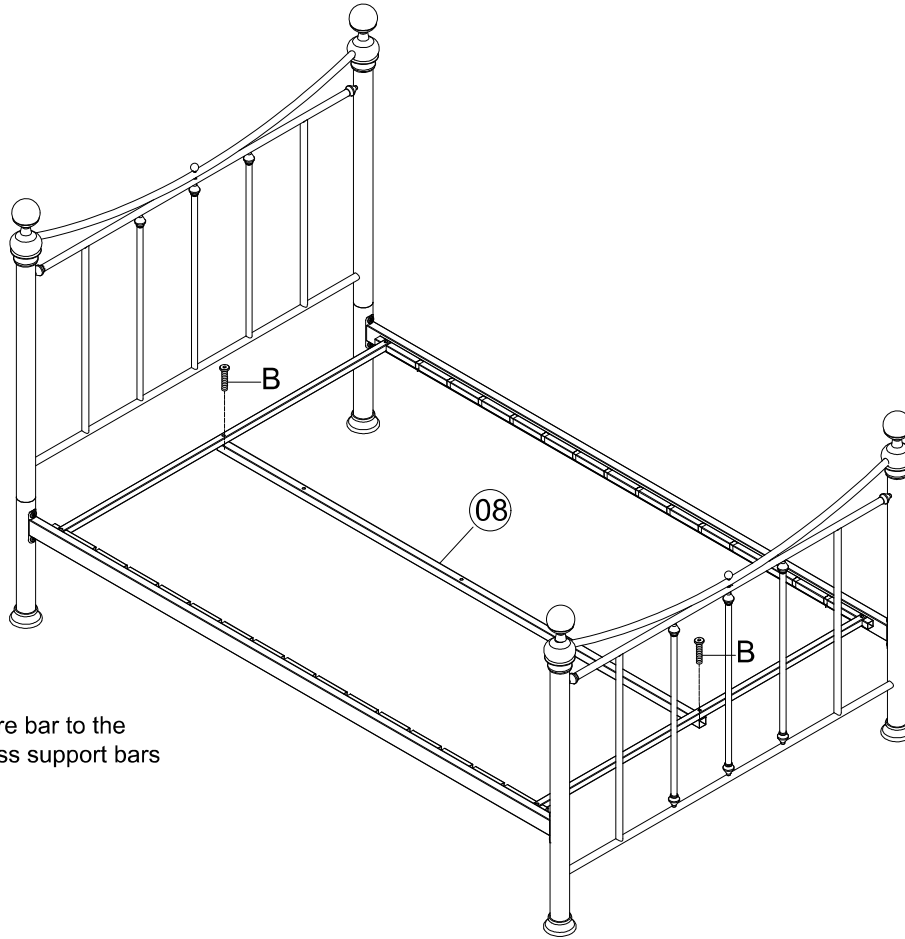
Attach the two end cross support bars across the width of the bed & screw & tighten into place.

# 5



M6×30mm

B × 2pcs



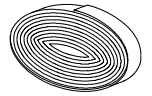
Attach the long centre bar to the underside of the cross support bars as shown & tighten.

# 6

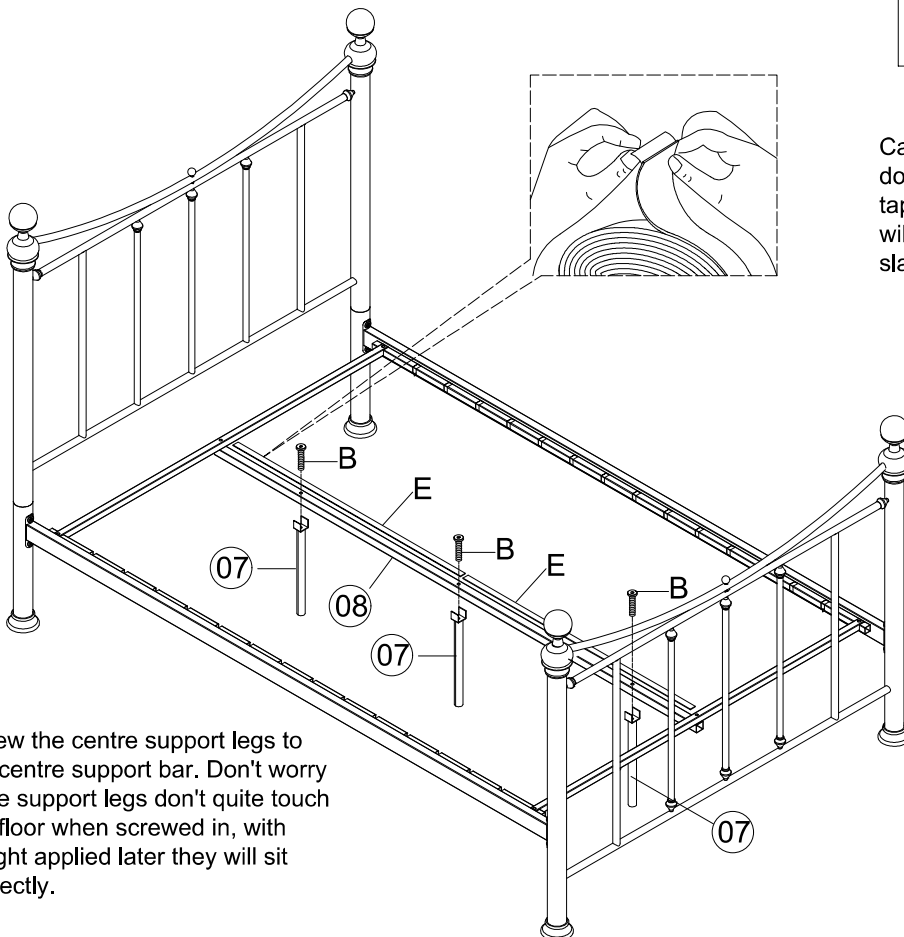


M6×30mm

B × 3pcs



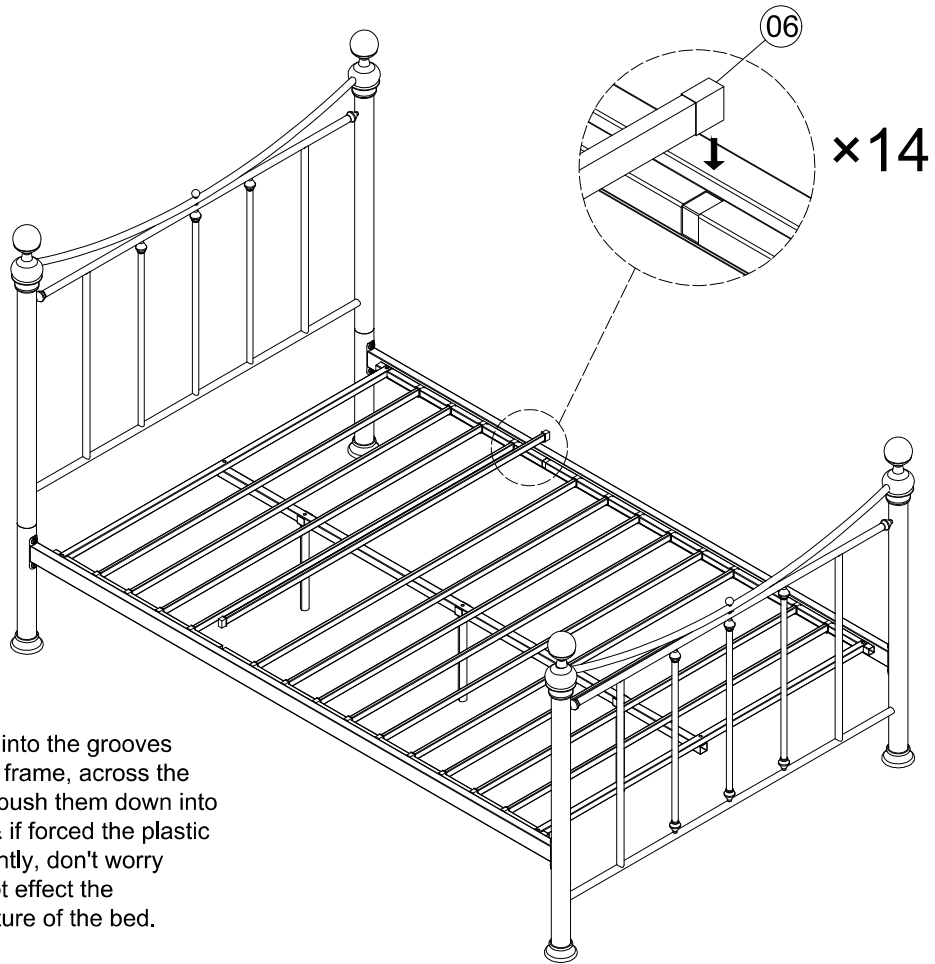
E × 1pc



Carefully place the sticky foam tape down the length of the centre bar. The tape can be cut as required. The tape will help form a 'cushion' for when the slats are inserted in the next stage.

Screw the centre support legs to the centre support bar. Don't worry if the support legs don't quite touch the floor when screwed in, with weight applied later they will sit correctly.

# 7



Insert the metal slats into the grooves either side of the bed frame, across the centre bar. Carefully push them down into place. Occasionally & if forced the plastic insert can buckle slightly, don't worry about this as it will not effect the performance or structure of the bed.

Completely tighten the bed frame together before use and move into its final position. From time to time just double check that all fixings are tightened. If being used on a wooden floor then it is recommend that sticky pads are used on the underside of the feet just to avoid any damage to the floor with movement of the bed (not supplied).